



US00D807815S

(12) **United States Design Patent** (10) **Patent No.:** **US D807,815 S**
Desjardins et al. (45) **Date of Patent:** **** *Jan. 16, 2018**

- (54) **SINGLE FLOW ION EXCHANGE CARTRIDGE**
- (71) Applicant: **MANN+HUMMEL GMBH**,
Ludwigsburg (DE)
- (72) Inventors: **Michael Desjardins**, Willow Springs,
NC (US); **Stuart Miller**, Clayton, NC
(US)
- (73) Assignee: **MANN+HUMMEL GmbH**,
Ludwigsburg (DE)
- (*) Notice: This patent is subject to a terminal dis-
claimer.
- (**) Term: **15 Years**
- (21) Appl. No.: **29/554,757**
- (22) Filed: **Feb. 15, 2016**

Related U.S. Application Data

- (63) Continuation of application No. 29/536,144, filed on
Aug. 13, 2015, now Pat. No. Des. 799,417.
- (51) **LOC (11) Cl.** **13-02**
- (52) **U.S. Cl.**
USPC **D13/101**
- (58) **Field of Classification Search**
USPC D13/101, 118, 122, 133, 184, 199;
356/432, 436, 437; 422/28, 37, 129, 139,
422/140, 141, 145, 236; 423/477, 478;
376/220, 228, 230, 347
CPC H01M 8/02; H01M 8/04; H01M 8/1007;
H01M 8/04014; H01M 8/04044; H01M
8/04089; H01M 8/04201; H01M 8/04932;
H01M 2250/20; B01J 47/14; Y02T 90/32
See application file for complete search history.

- (56) **References Cited**
U.S. PATENT DOCUMENTS
- D202,894 S * 11/1965 Carr 417/49
- D351,337 S * 10/1994 Bonnema D27/141
- D462,050 S * 8/2002 Smith D13/101
- D539,734 S * 4/2007 Brady D13/110
- D615,488 S * 5/2010 Chen D13/101
- D653,760 S * 2/2012 Johnson D24/164
- D680,059 S * 4/2013 Rosenzweig D13/101
- D702,628 S * 4/2014 Williams D13/101
- D716,427 S * 10/2014 Lim D23/364
- 2009/0038315 A1 * 2/2009 Johnson H01M 14/00
60/783
- 2010/0147606 A1 * 6/2010 Kalenborn B60K 6/24
180/65.21
- 2016/0197363 A1 * 7/2016 Na H01M 8/04044
210/86

* cited by examiner

Primary Examiner — Derrick Holland
(74) *Attorney, Agent, or Firm* — James Hasselbeck

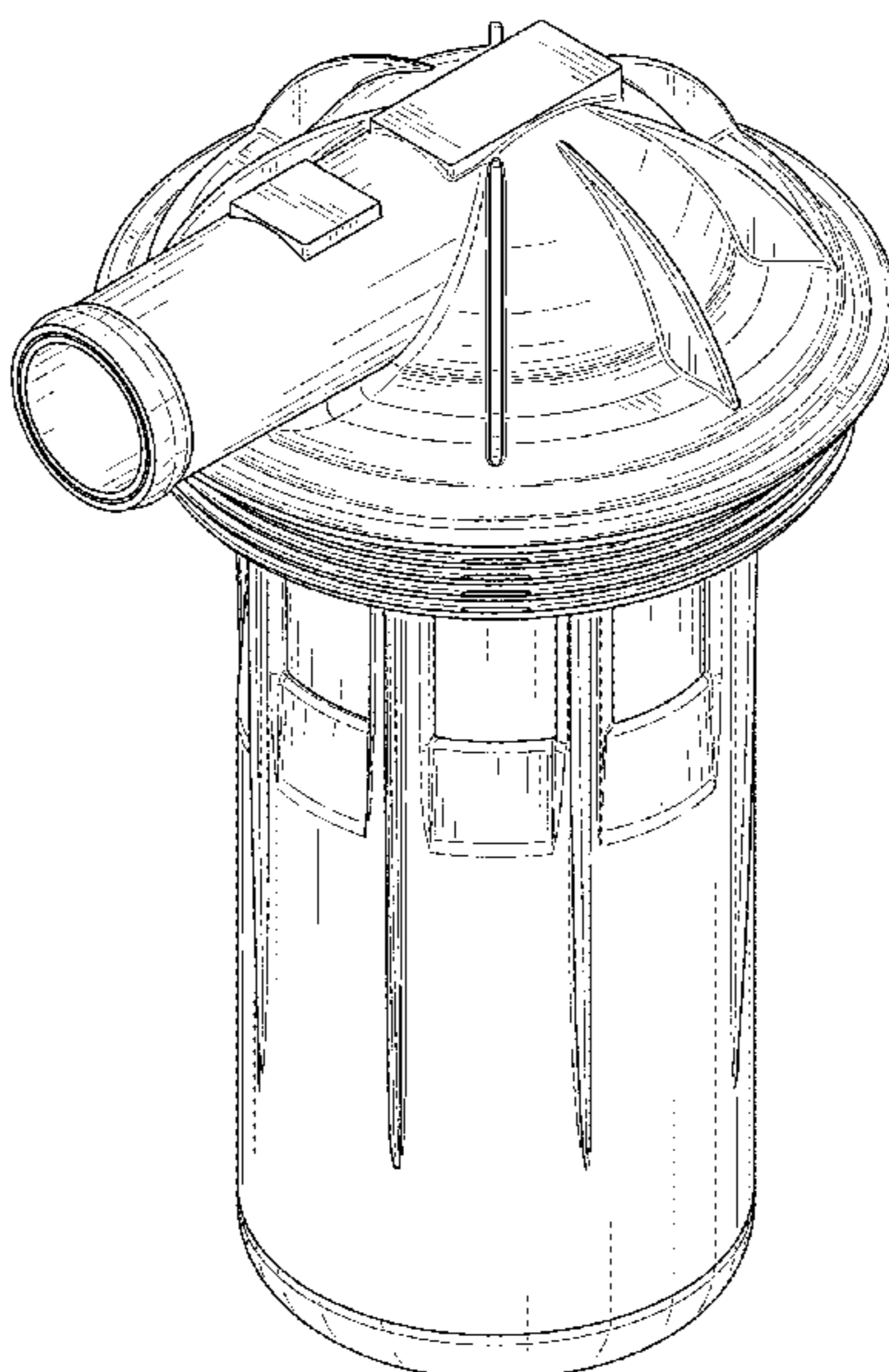
(57) **CLAIM**

We claim the ornamental design for a single flow ion exchange cartridge, as shown and described.

DESCRIPTION

FIG. 1 shows a perspective view of a single flow ion exchange cartridge showing our new design; FIG. 2 shows a front elevational view thereof; FIG. 3 shows a rear elevational view thereof; FIG. 4 shows a right side elevational view thereof; FIG. 5 shows a left side elevational view thereof; FIG. 6 shows a top plan view thereof; FIG. 7 shows a bottom plan view thereof; and, FIG. 8 shows a bottom-front perspective view thereof. The broken lines shown represent unclaimed subject matter and form no part of the claimed design.

1 Claim, 7 Drawing Sheets



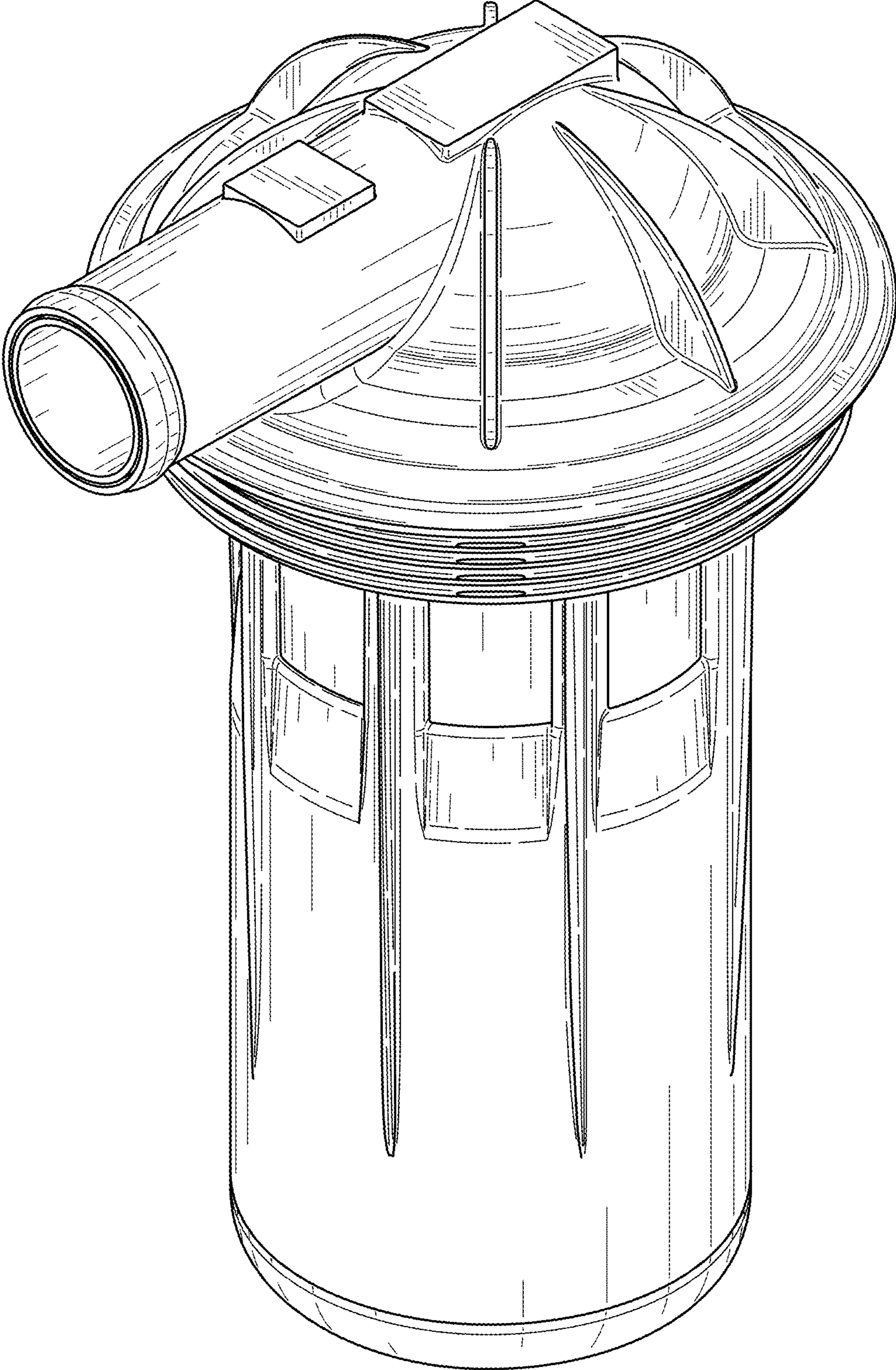


FIG. 1

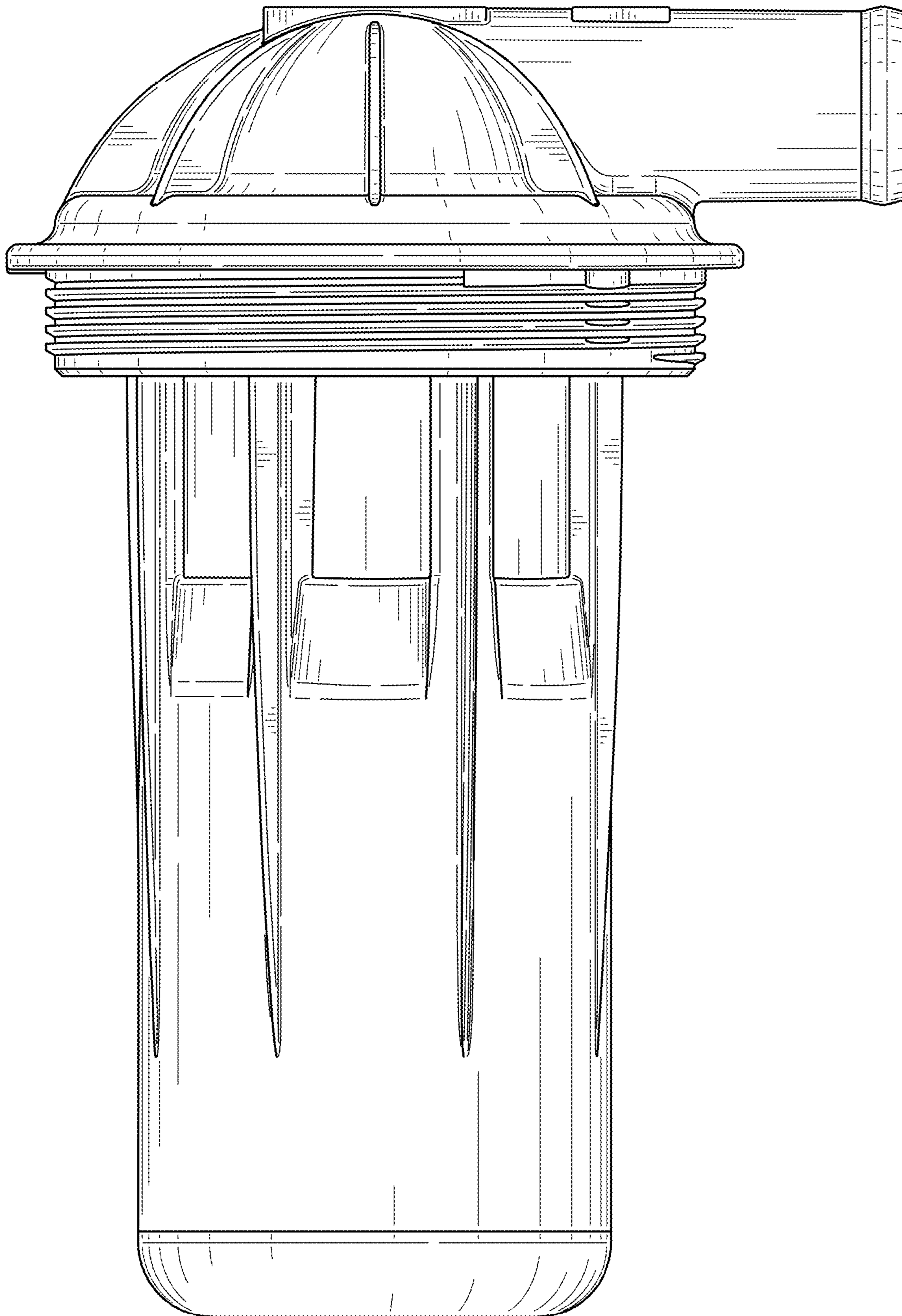


FIG. 2

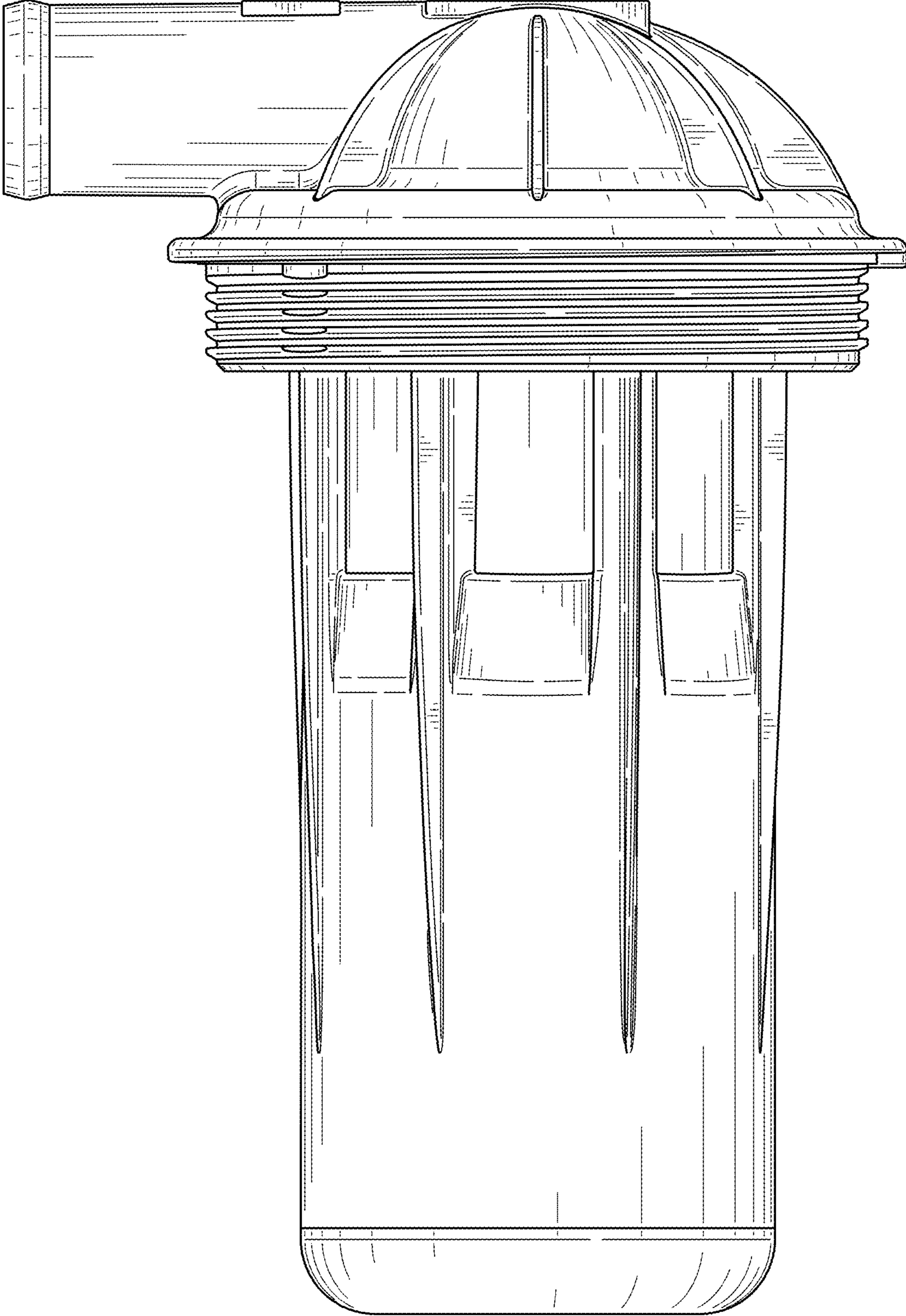


FIG. 3

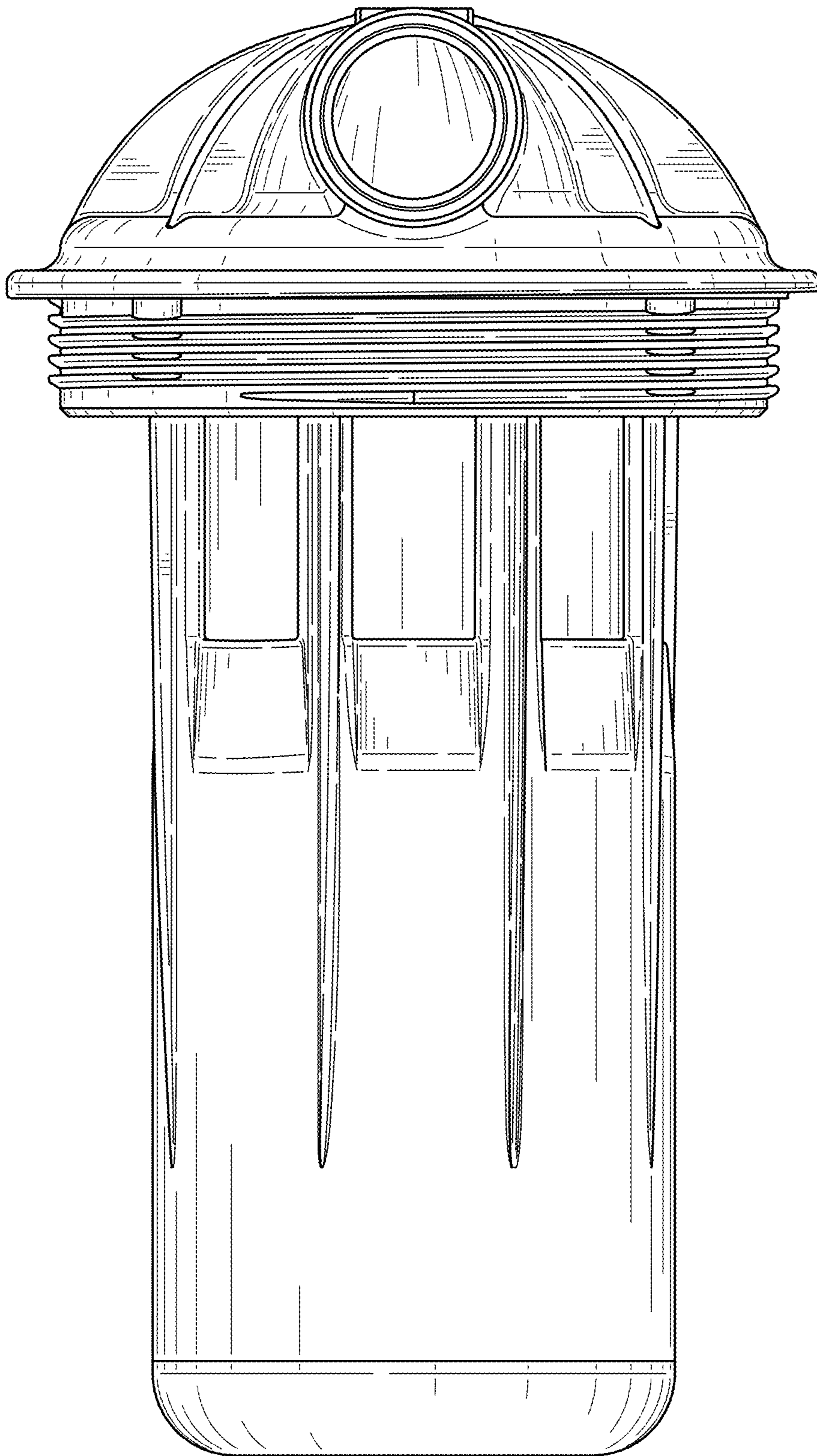


FIG. 4

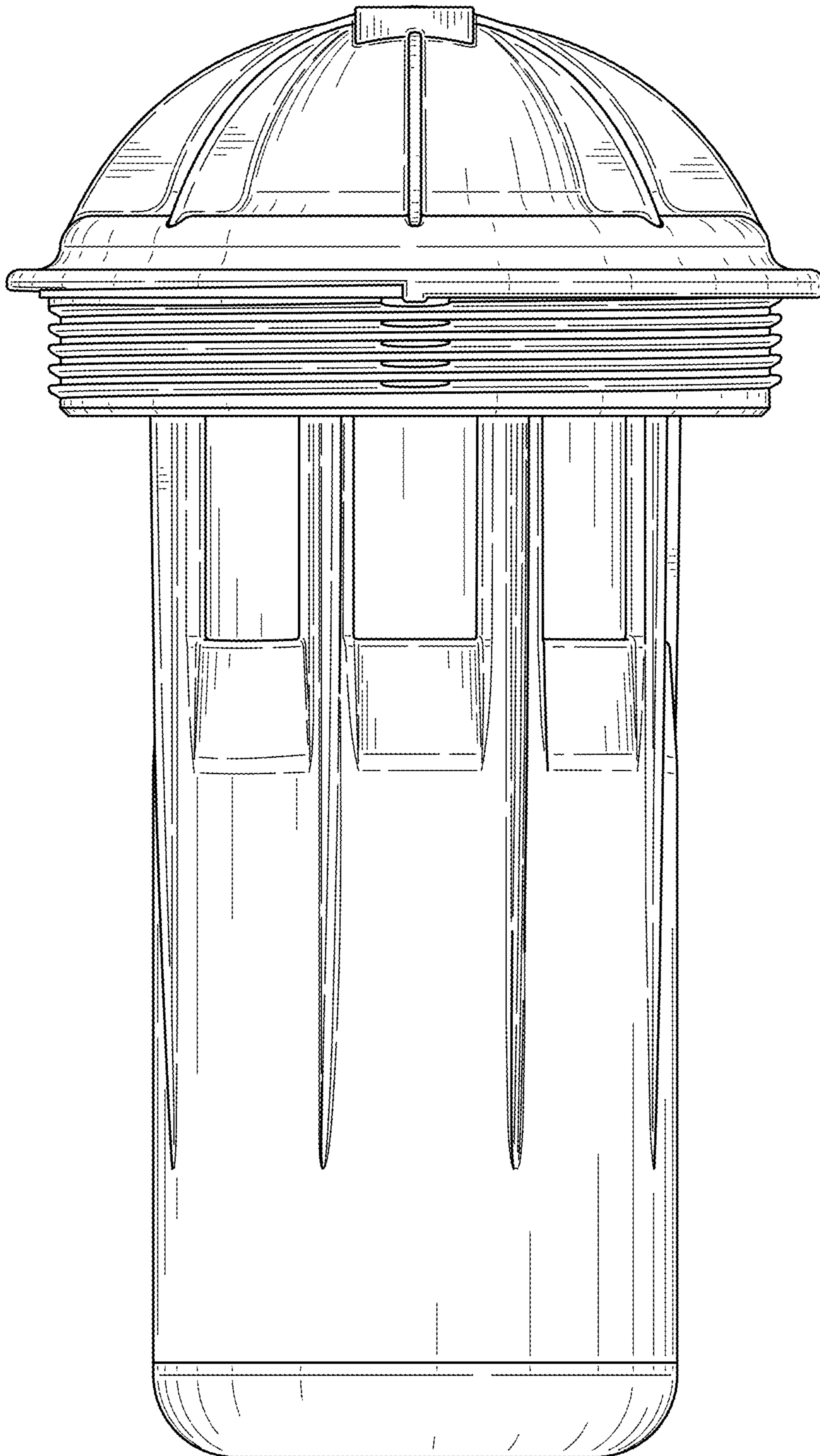


FIG. 5

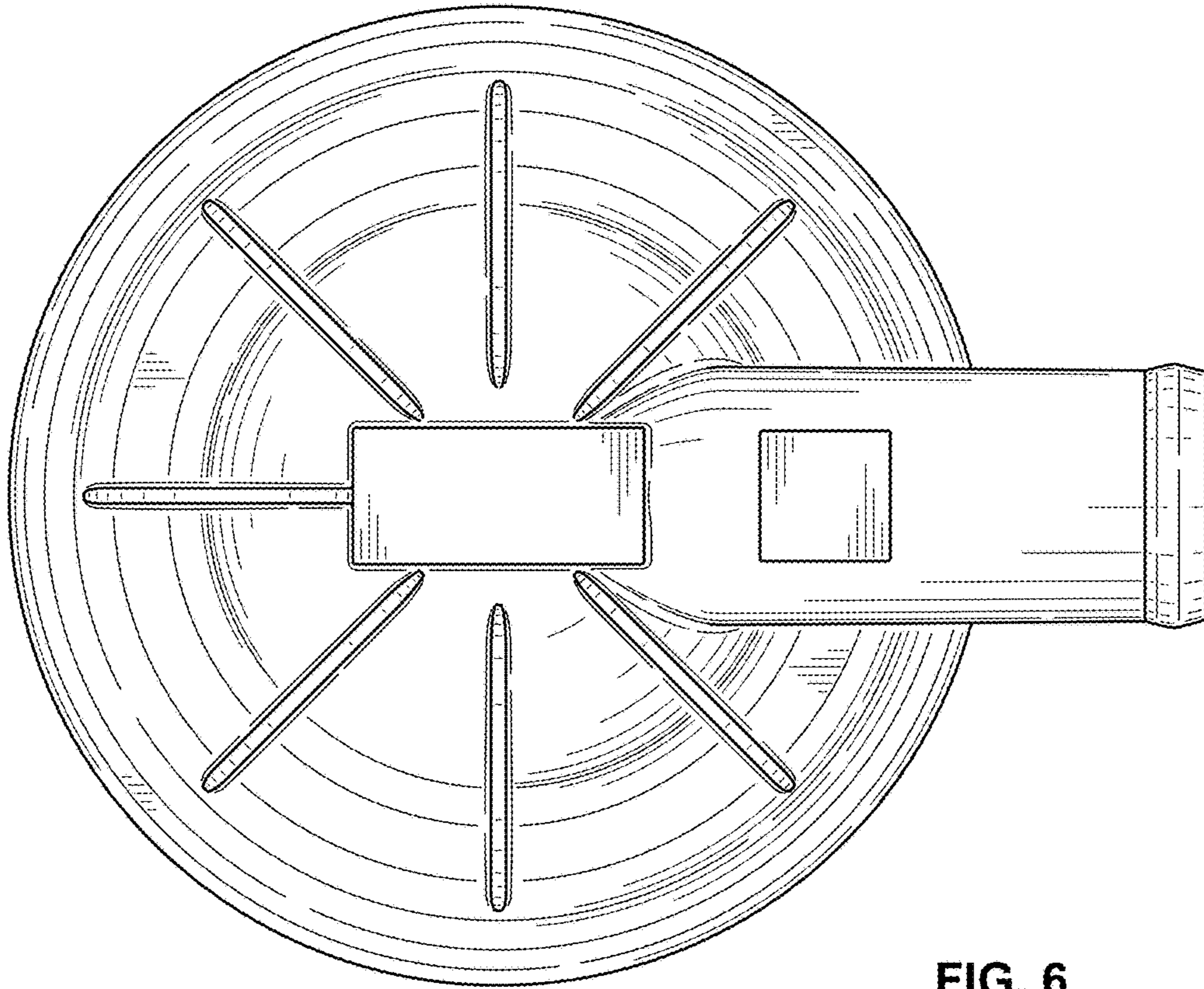


FIG. 6

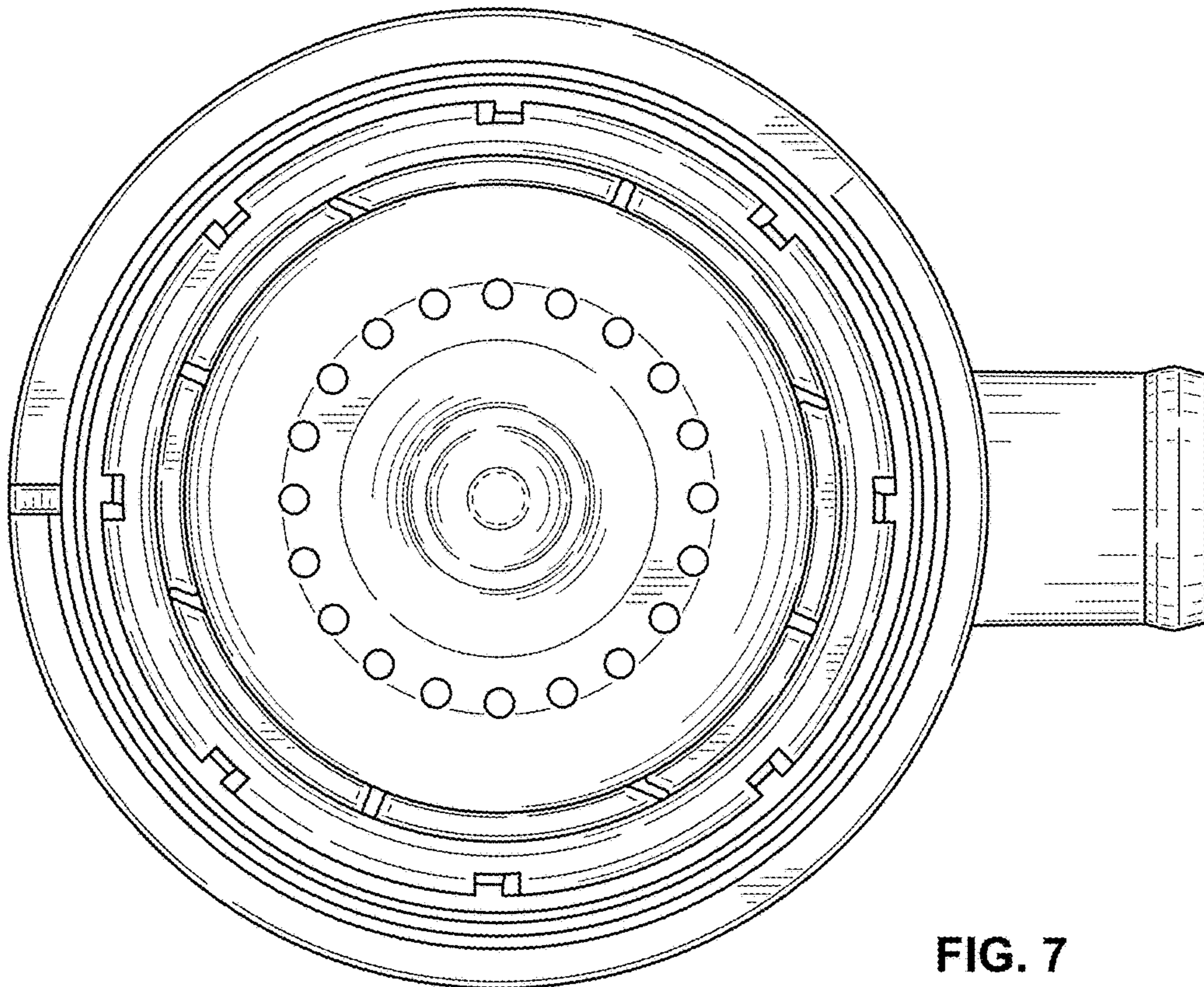


FIG. 7

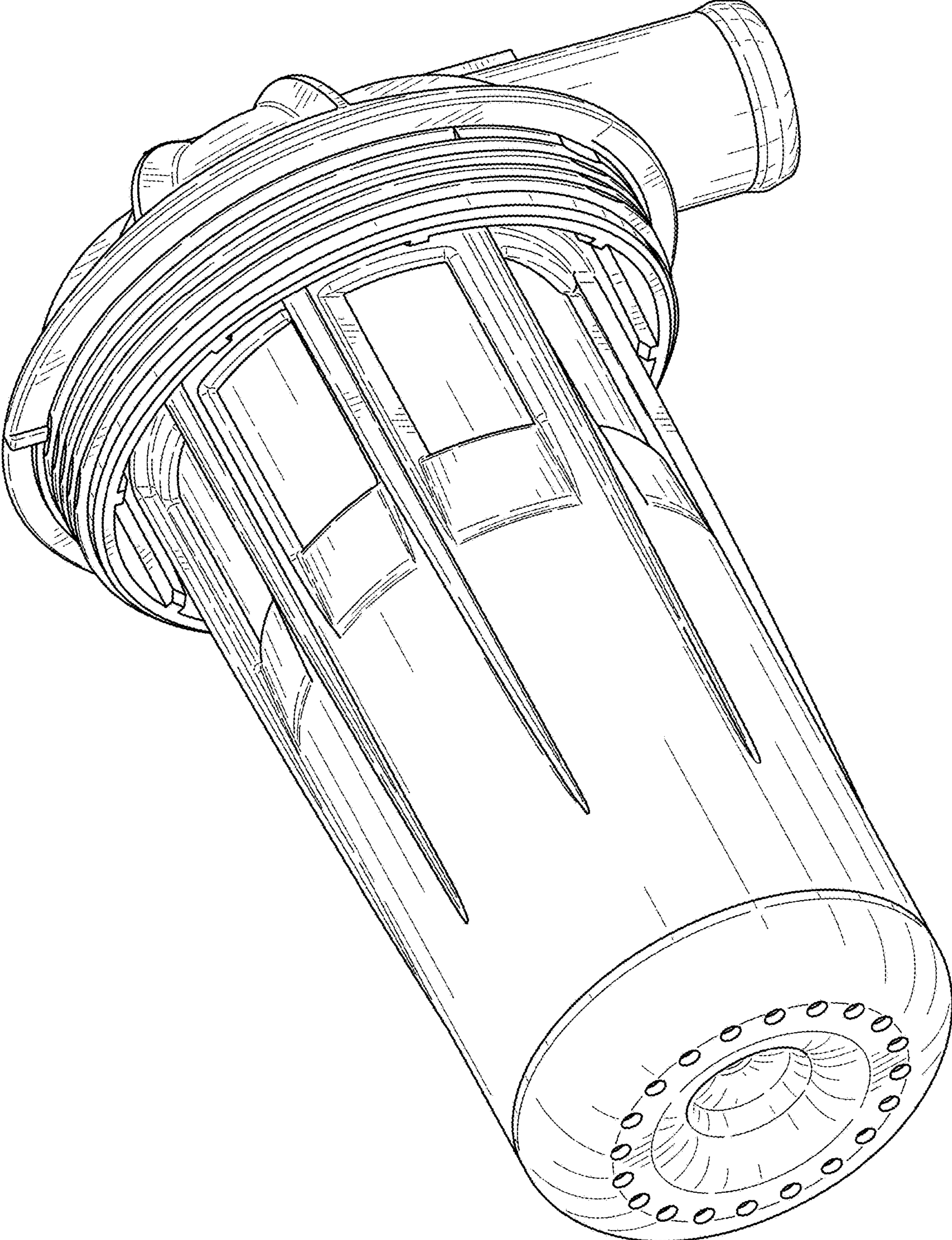


FIG. 8