



US00D807813S

(12) **United States Design Patent**
Hayashi

(10) **Patent No.:** **US D807,813 S**
(45) **Date of Patent:** **** Jan. 16, 2018**

(54) **TIRE TREAD**
(71) Applicant: **BRIDGESTONE CORPORATION**,
Tokyo (JP)
(72) Inventor: **Shintaro Hayashi**, Tokyo (JP)
(73) Assignee: **BRIDGESTONE CORPORATION**,
Chuo-ku, Tokyo (JP)

D616,356 S * 5/2010 Ohara D12/588
D637,143 S * 5/2011 Ohara D12/588
D647,040 S 10/2011 Mathonet et al.
D674,741 S * 1/2013 Mathonet D12/588
D686,973 S * 7/2013 Otani D12/588
D740,215 S * 10/2015 Wang D12/601
D761,192 S * 7/2016 Dixon D12/594

(**) Term: **15 Years**
(21) Appl. No.: **29/570,286**
(22) Filed: **Jul. 7, 2016**

FOREIGN PATENT DOCUMENTS

JP 1498663 S 6/2014

(30) **Foreign Application Priority Data**

Jan. 8, 2016 (JP) 2016-000355

(51) **LOC (11) Cl.** **12-15**
(52) **U.S. Cl.**
USPC **D12/604**
(58) **Field of Classification Search**
USPC D12/553, 559, 564, 565, 588, 594, 595,
D12/600, 601, 604
CPC B60C 11/0306; B60C 11/0311; B60C
2011/0388

OTHER PUBLICATIONS

Office Action of Japanese Patent Application No. 2016-000355,
dated Apr. 26, 2015.

* cited by examiner

Primary Examiner — Robert M. Spear
(74) *Attorney, Agent, or Firm* — Sughrue Mion, PLLC

See application file for complete search history.

(56) **References Cited**

U.S. PATENT DOCUMENTS

D293,664 S * 1/1988 Hayakawa D12/595
D301,133 S * 5/1989 Tsuda D12/588
D304,557 S * 11/1989 Ochiai D12/588
D377,635 S * 1/1997 Numata D12/595
D402,943 S * 12/1998 Albert D12/588
D451,455 S * 12/2001 Helt D12/600
D511,741 S * 11/2005 Cazin-Bourguignon D12/601
D583,308 S * 12/2008 Ludwig D12/588
D591,224 S * 4/2009 Ludwig D12/588

(57) **CLAIM**

The ornamental design for a tire tread, as shown and
described.

DESCRIPTION

FIG. 1 is a perspective view of a tire tread showing my
design;
FIG. 2 is a front view thereof;
FIG. 3 is a top view thereof;
FIG. 4 is a right side view thereof;
FIG. 5 is a fragmentary enlarged front view showing the
details of the tread thereof;
FIG. 6 is a section view taken along line 6-6 in FIG. 5; and,
FIG. 7 is a section view taken along line 7-7 in FIG. 5.
The broken lines are used to show unclaimed environment,
and thus form no part of the claimed design.

1 Claim, 7 Drawing Sheets

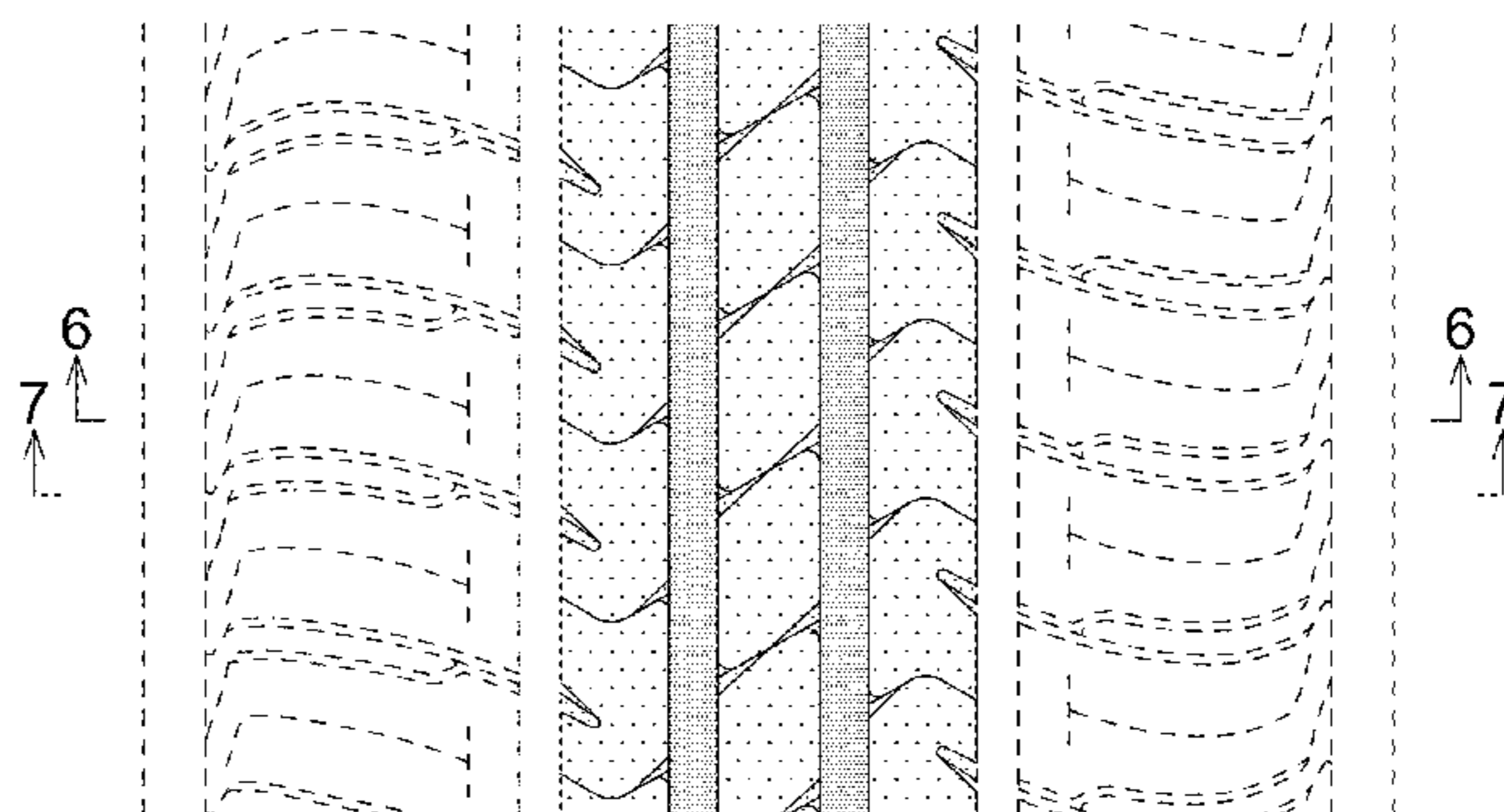
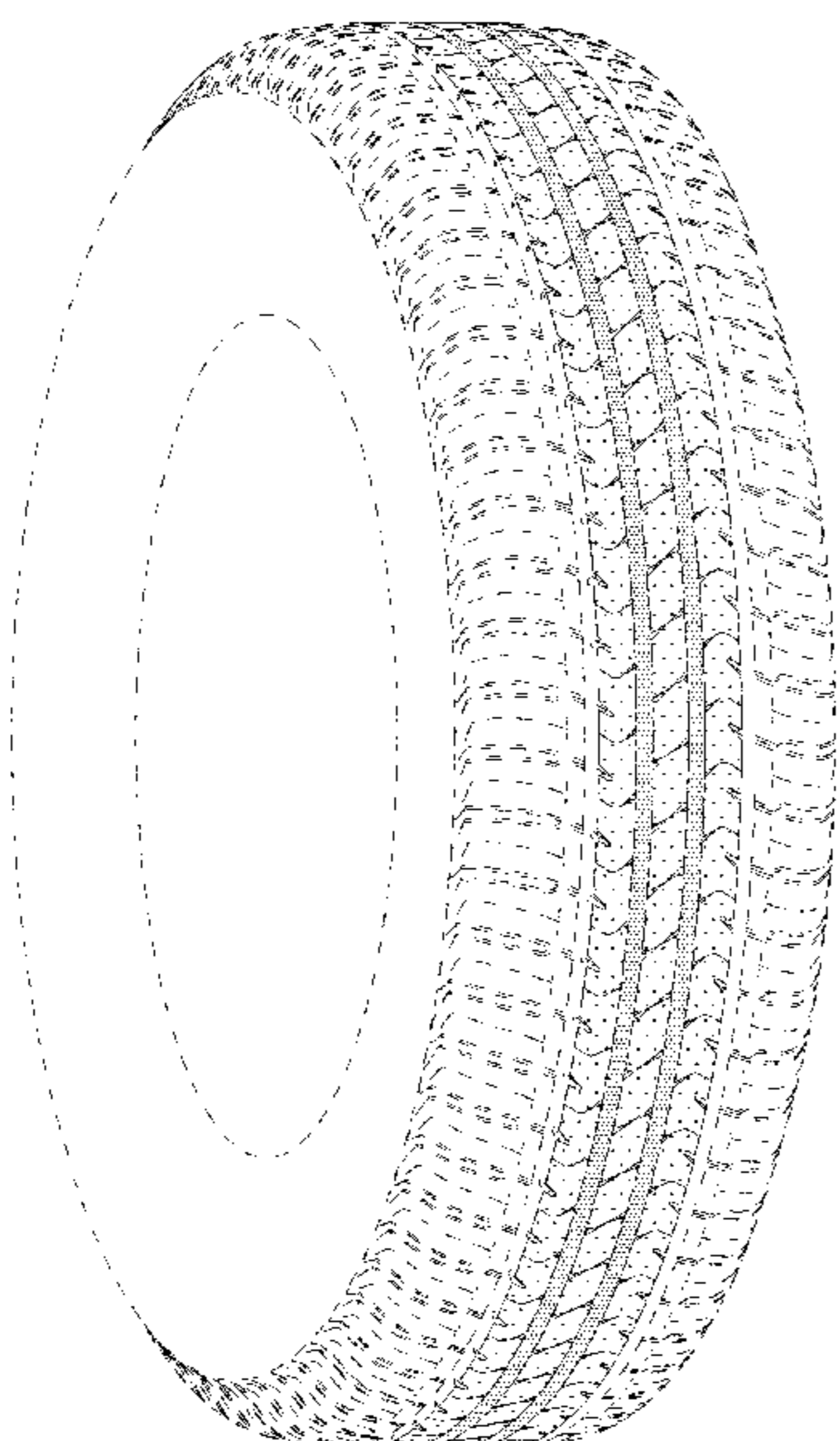


FIG. 1

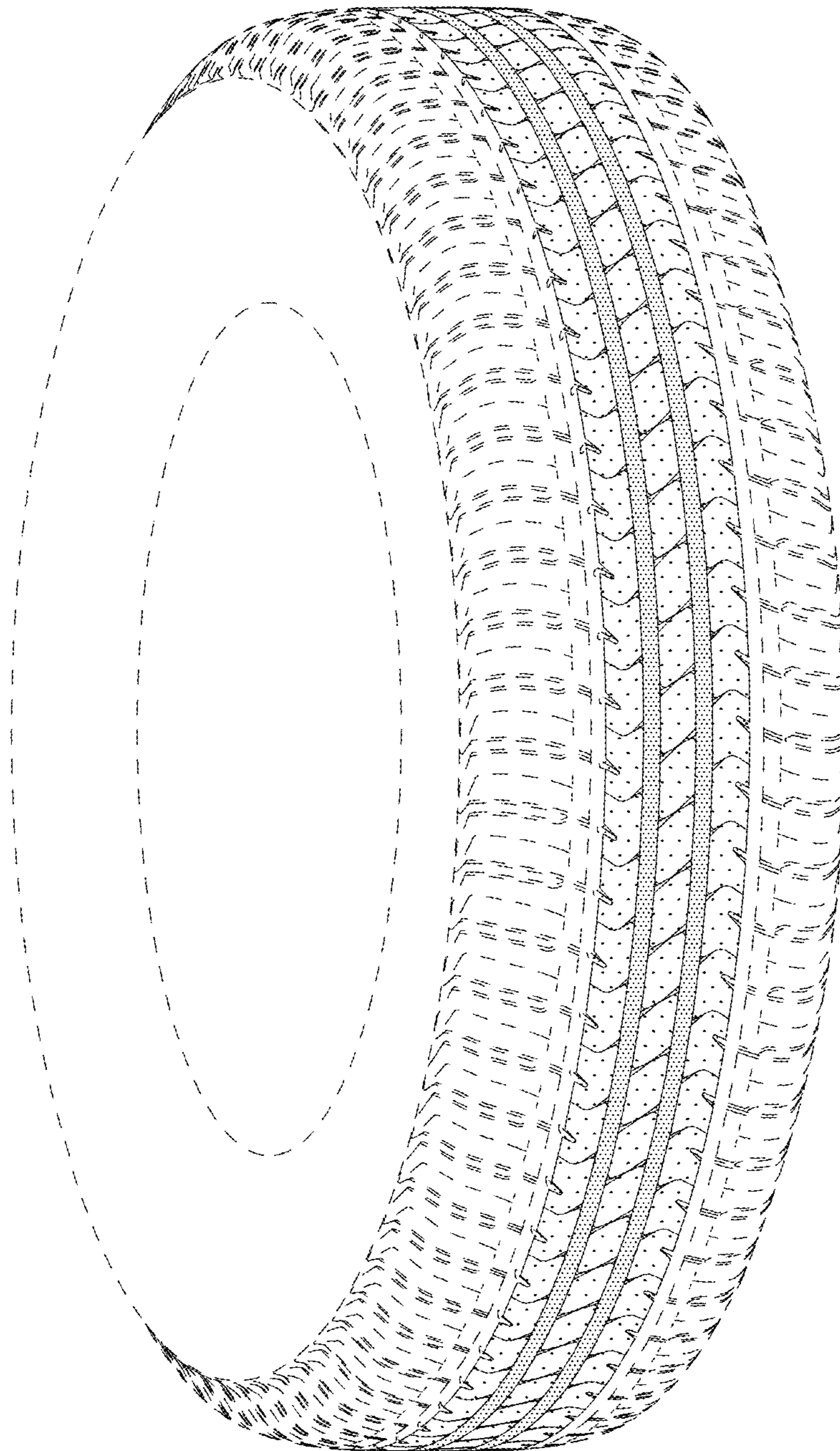


FIG. 2

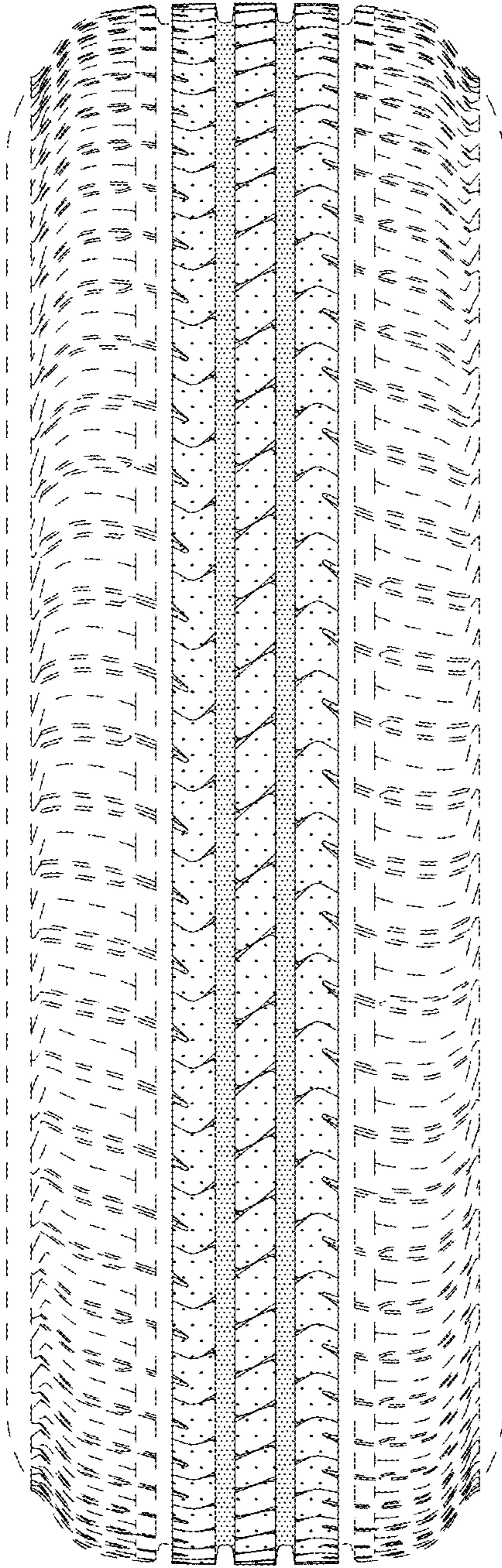


FIG. 3

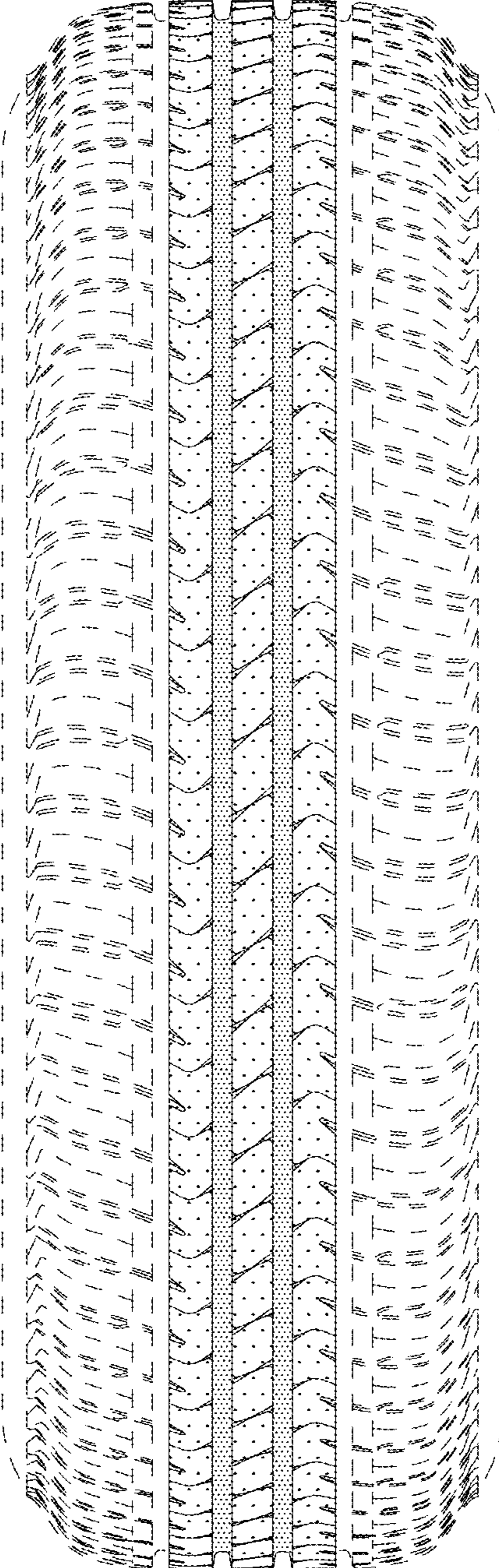


FIG. 4

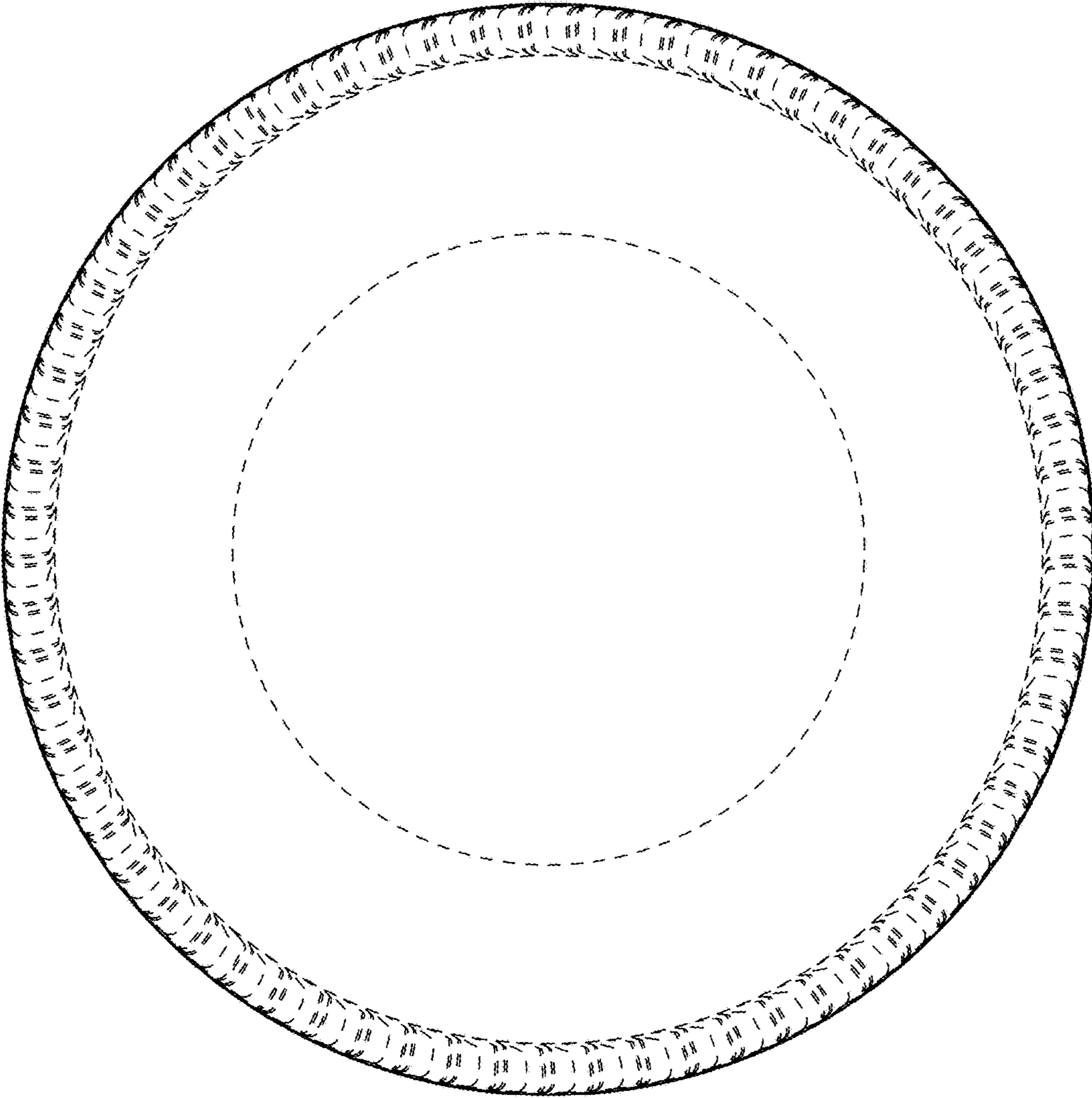


FIG. 5

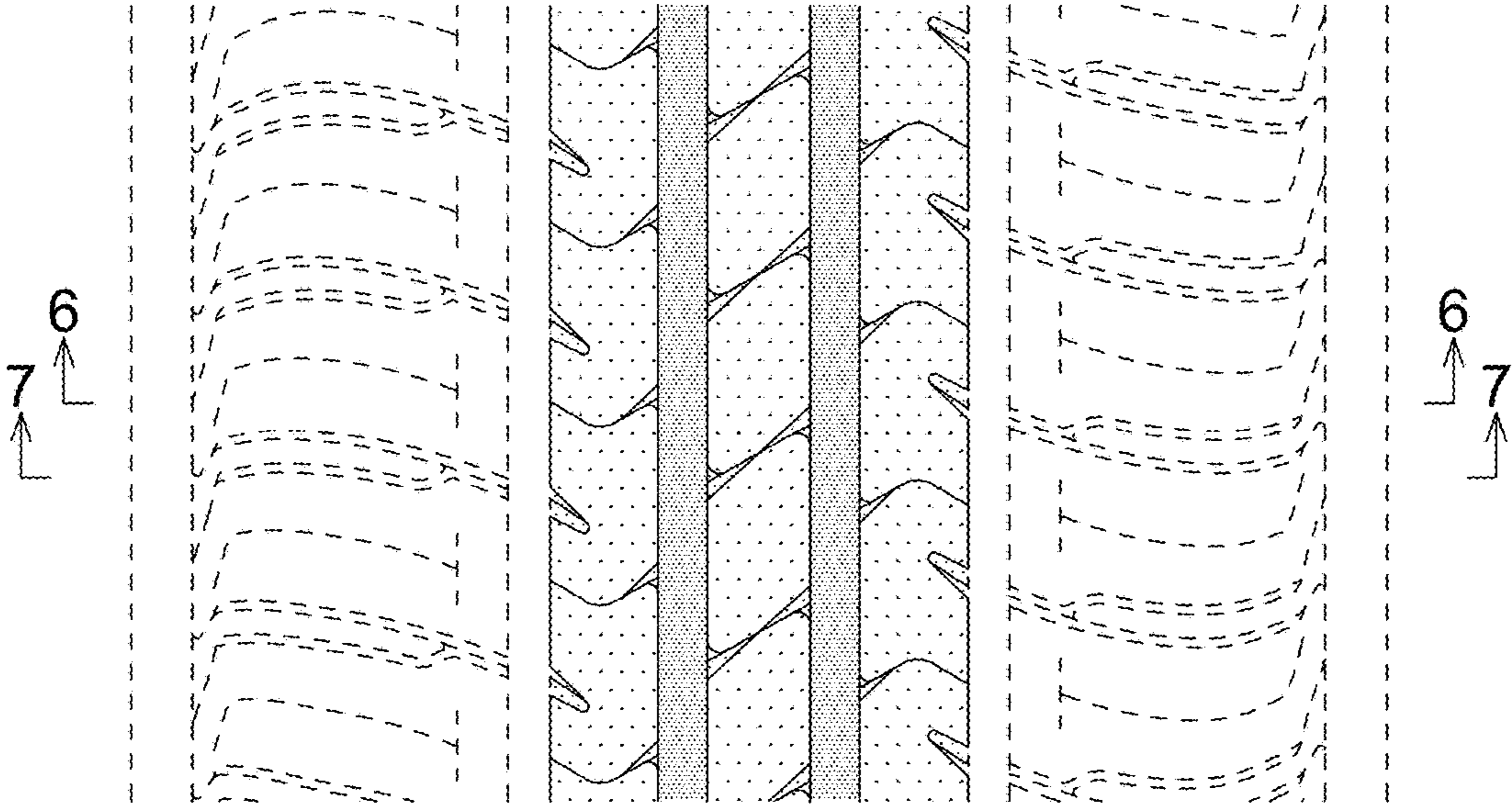


FIG. 6

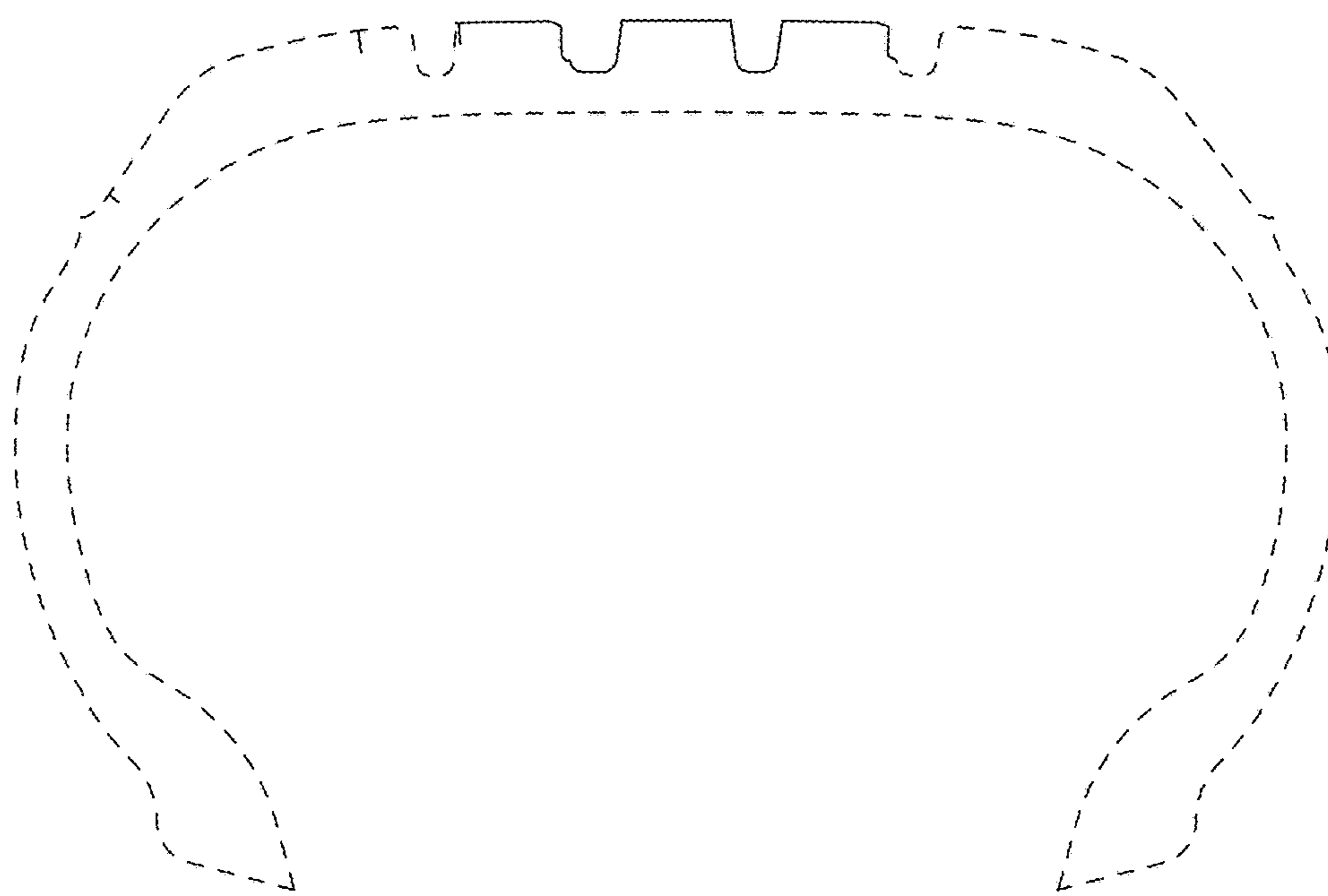


FIG. 7

