



US00D807809S

(12) **United States Design Patent**  
**Suzuki**

(10) **Patent No.:** **US D807,809 S**

(45) **Date of Patent:** **\*\* Jan. 16, 2018**

(54) **AIRCRAFT**

(71) Applicant: **KABUSHIKI KAISHA BELLSION**,  
Shizuoka (JP)

(72) Inventor: **Masahiko Suzuki**, Shizuoka (JP)

(73) Assignee: **Kabushiki Kaisha Bellsion** (JP)

(\*\*) Term: **15 Years**

(21) Appl. No.: **29/550,540**

(22) Filed: **Jan. 5, 2016**

(30) **Foreign Application Priority Data**

Jul. 7, 2015 (JP) ..... 2015-15099

(51) **LOC (11) Cl.** ..... **12-01**

(52) **U.S. Cl.**  
USPC ..... **D12/344; D21/447**

(58) **Field of Classification Search**  
USPC ..... D12/16.1, 319-324, 326-345; D21/436,  
D21/441, 443, 444, 446, 447, 448, 449,  
D21/450, 451, 452, 453  
CPC ..... B64C 1/062; B64C 39/024; B64C 27/08;  
B64C 29/00; B64C 39/00; B64C 23/00  
See application file for complete search history.

(56) **References Cited**

**U.S. PATENT DOCUMENTS**

D127,185 S \* 5/1941 Northrop ..... 244/35 R  
D143,706 S \* 2/1946 Bowers ..... 244/35 R  
D144,111 S \* 3/1946 Hite et al. .... 244/74  
D185,535 S \* 6/1959 Coleman ..... D12/333  
D220,985 S \* 6/1971 Webb ..... 244/155 R  
D240,437 S \* 7/1976 Rizzo ..... D21/447  
D244,265 S \* 5/1977 Opfer ..... D12/333  
D278,226 S \* 4/1985 Henderson ..... D12/319  
D281,680 S \* 12/1985 Henderson ..... D12/319  
D314,366 S \* 2/1991 Waaland ..... 244/36  
D362,234 S \* 9/1995 Urie, Jr. .... D12/320

D365,545 S \* 12/1995 Wainfan ..... D12/331  
D371,536 S \* 7/1996 Jones ..... D12/333  
D382,851 S \* 8/1997 Knutson ..... D12/319  
D396,685 S \* 8/1998 Baumgartner ..... D12/320  
D428,381 S \* 7/2000 Hartmann ..... D12/332

(Continued)

*Primary Examiner* — Robert M. Spear

*Assistant Examiner* — Marissa J Cash

(74) *Attorney, Agent, or Firm* — Malloy & Malloy, P.L.

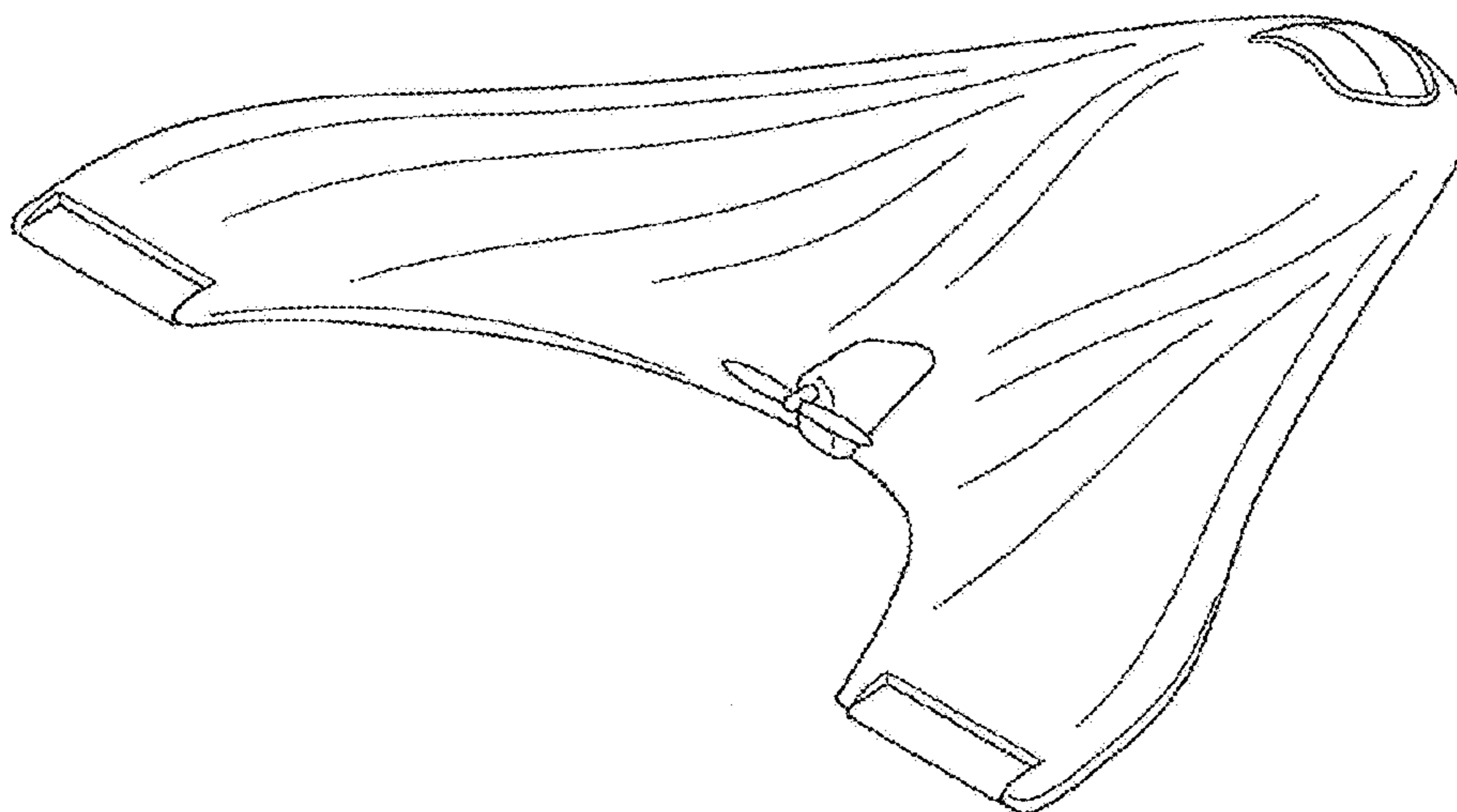
(57) **CLAIM**

The ornamental design for an aircraft, as shown and described.

**DESCRIPTION**

FIG. 1 is a rear perspective view of an aircraft showing my new design;  
FIG. 2 is a front elevational view thereof;  
FIG. 3 is a rear elevational view thereof;  
FIG. 4 is a top plan view thereof;  
FIG. 5 is a bottom plan view thereof;  
FIG. 6 is a right-side elevational view thereof; a left side being a mirror image thereof;  
FIG. 7 is a sectional view taken along the line 7-7 in FIG. 4;  
FIG. 8 is a sectional view taken along the line 8-8 in FIG. 4;  
FIG. 9 is a sectional view taken along the line 9-9;  
FIG. 10 is a sectional view taken along the line 10-10 in FIG. 4;  
FIG. 11 is a sectional view taken along the line 11-11 in FIG. 4;  
FIG. 12 is a sectional view taken along line 12-12 in FIG. 4; and,  
FIG. 13 is a section view taken along the line 13-13 in FIG. 4.  
The broken lines present in the Figures represent unclaimed subject matter and form no part of my new design.

**1 Claim, 6 Drawing Sheets**



(56)

References Cited

U.S. PATENT DOCUMENTS

|              |      |         |                  |                       |
|--------------|------|---------|------------------|-----------------------|
| D475,340     | S *  | 6/2003  | Arata .....      | D12/319               |
| D486,775     | S *  | 2/2004  | Reinhard .....   | D12/319               |
| D488,426     | S *  | 4/2004  | Hall .....       | D12/319               |
| D489,315     | S *  | 5/2004  | Dauvergne .....  | D12/319               |
| D503,141     | S *  | 3/2005  | Schafroth .....  | D12/319               |
| D543,494     | S *  | 5/2007  | Hall .....       | D12/319               |
| D559,761     | S *  | 1/2008  | Au .....         | D12/319               |
| D582,832     | S *  | 12/2008 | Dornier .....    | D12/337               |
| D588,519     | S *  | 3/2009  | Westra .....     | D12/319               |
| D588,976     | S *  | 3/2009  | Westra .....     | D12/319               |
| D597,472     | S *  | 8/2009  | Cazals .....     | D12/319               |
| D616,352     | S *  | 5/2010  | Schafroth .....  | D12/319               |
| D616,804     | S *  | 6/2010  | Manley .....     | D12/319               |
| D616,805     | S *  | 6/2010  | Zha .....        | D12/343               |
| D625,679     | S *  | 10/2010 | Stinemetze ..... | D12/319               |
| D626,056     | S *  | 10/2010 | Garreau .....    | D12/326               |
| D677,613     | S *  | 3/2013  | Luther .....     | D12/319               |
| D709,430     | S *  | 7/2014  | Schwaiger .....  | D12/16.1              |
| D738,438     | S *  | 9/2015  | Cummings .....   | D21/447               |
| 2012/0025006 | A1 * | 2/2012  | Luther .....     | B64C 1/00<br>244/2    |
| 2015/0053824 | A1 * | 2/2015  | De Smet .....    | B64C 39/00<br>244/175 |
| 2016/0209850 | A1 * | 7/2016  | Golubev .....    | G05D 1/0825           |
| 2017/0021911 | A1 * | 1/2017  | Wildschek .....  | B64C 3/38             |

\* cited by examiner

Fig. 1

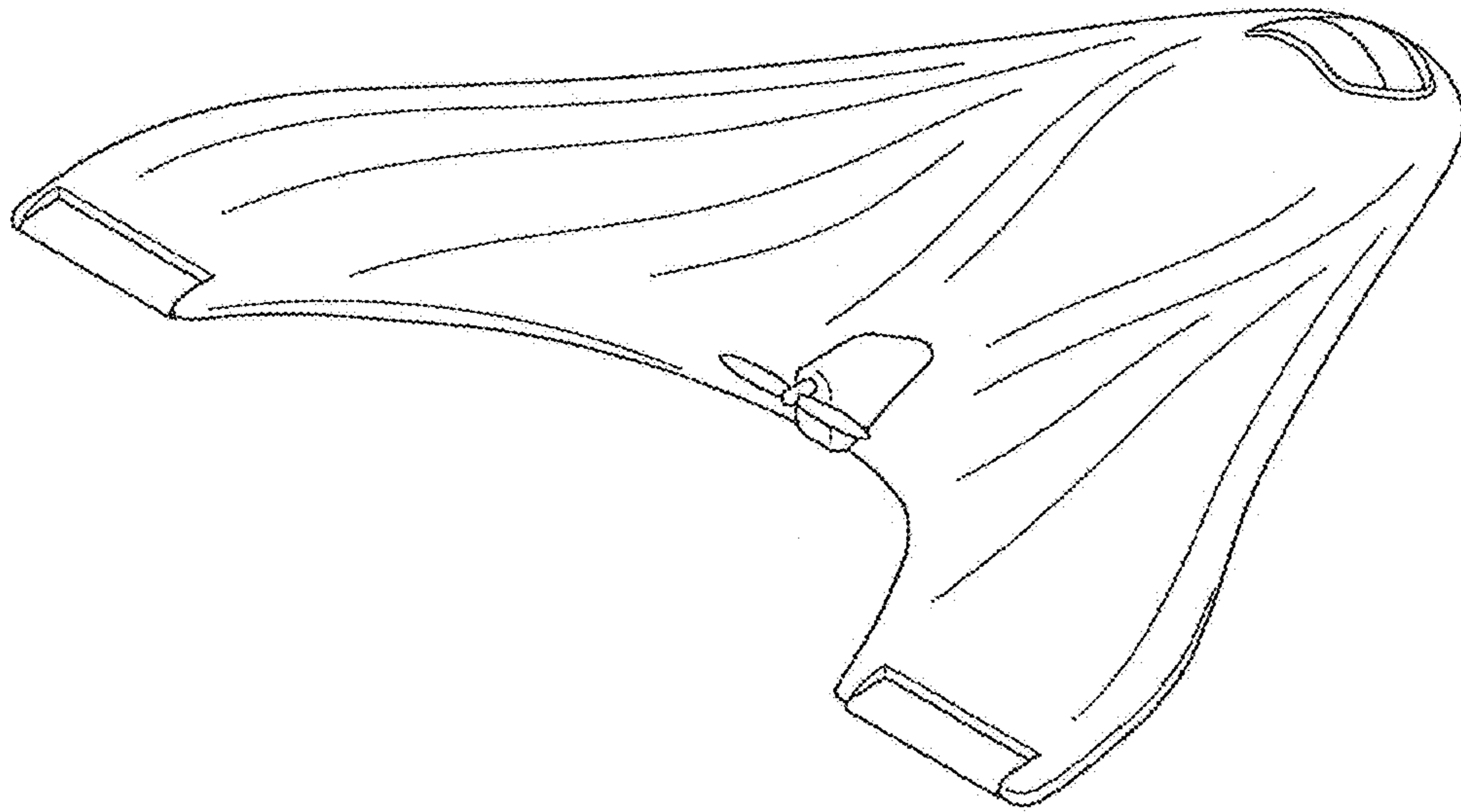


Fig. 2

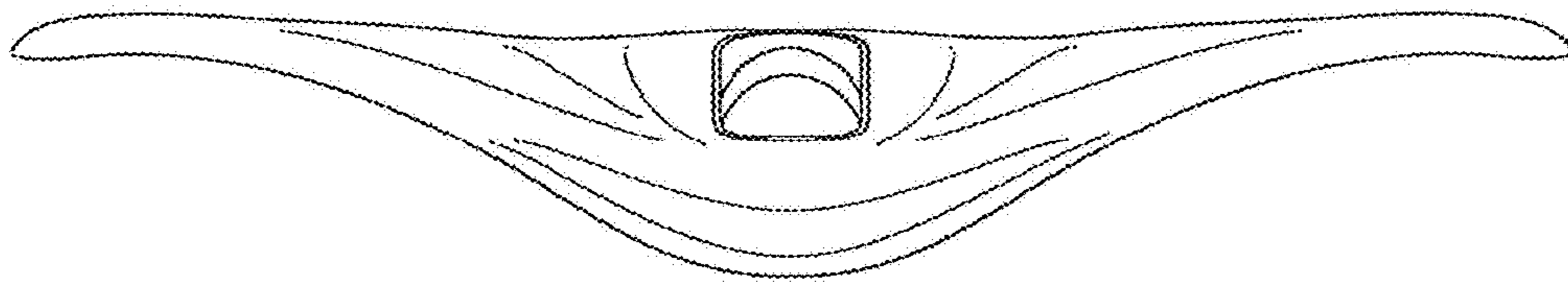


Fig. 3

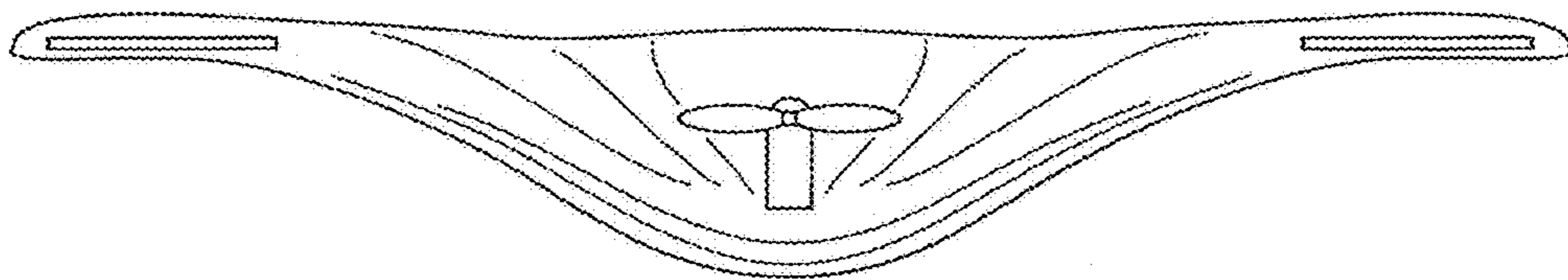


Fig. 4

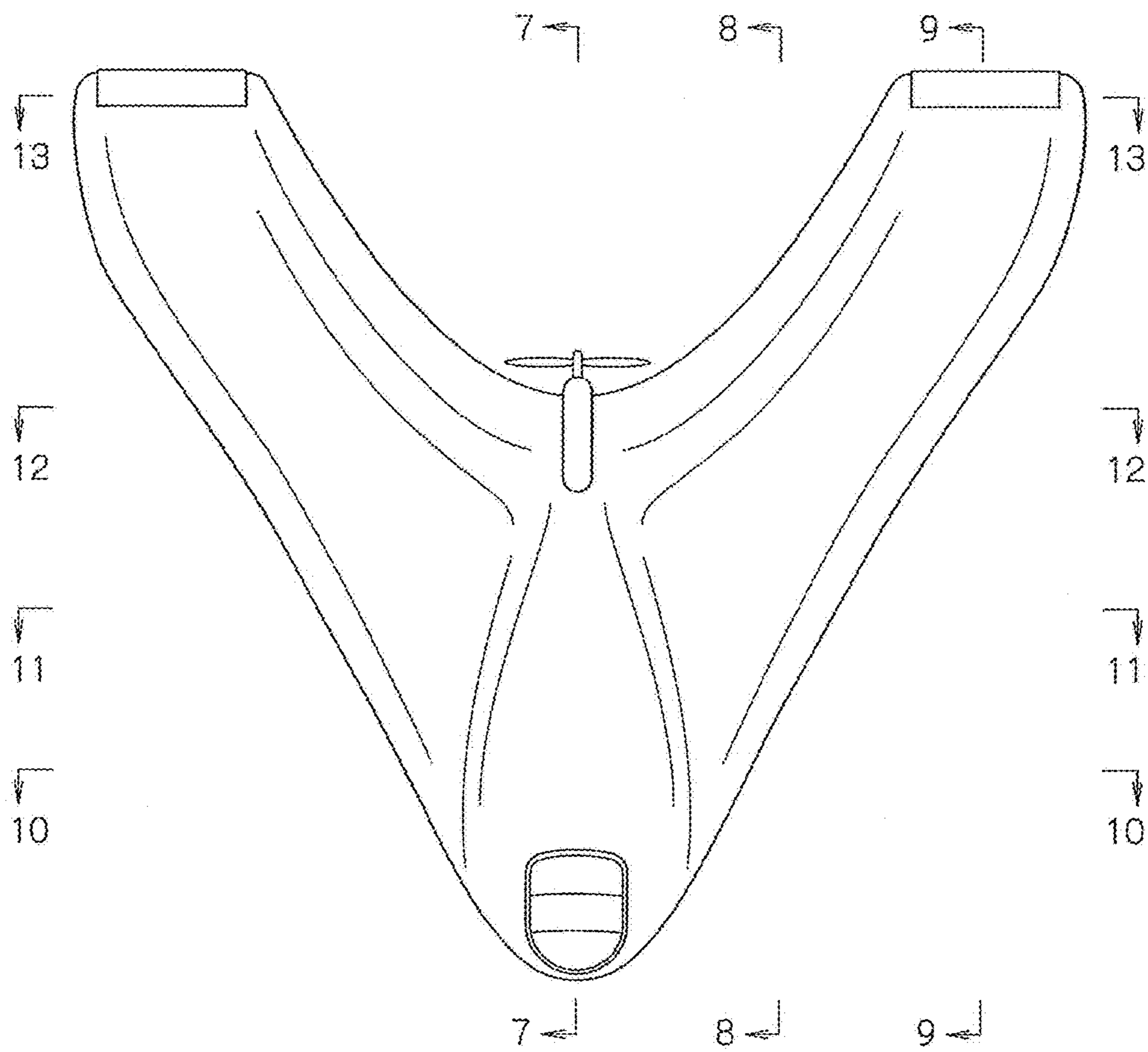


Fig. 5

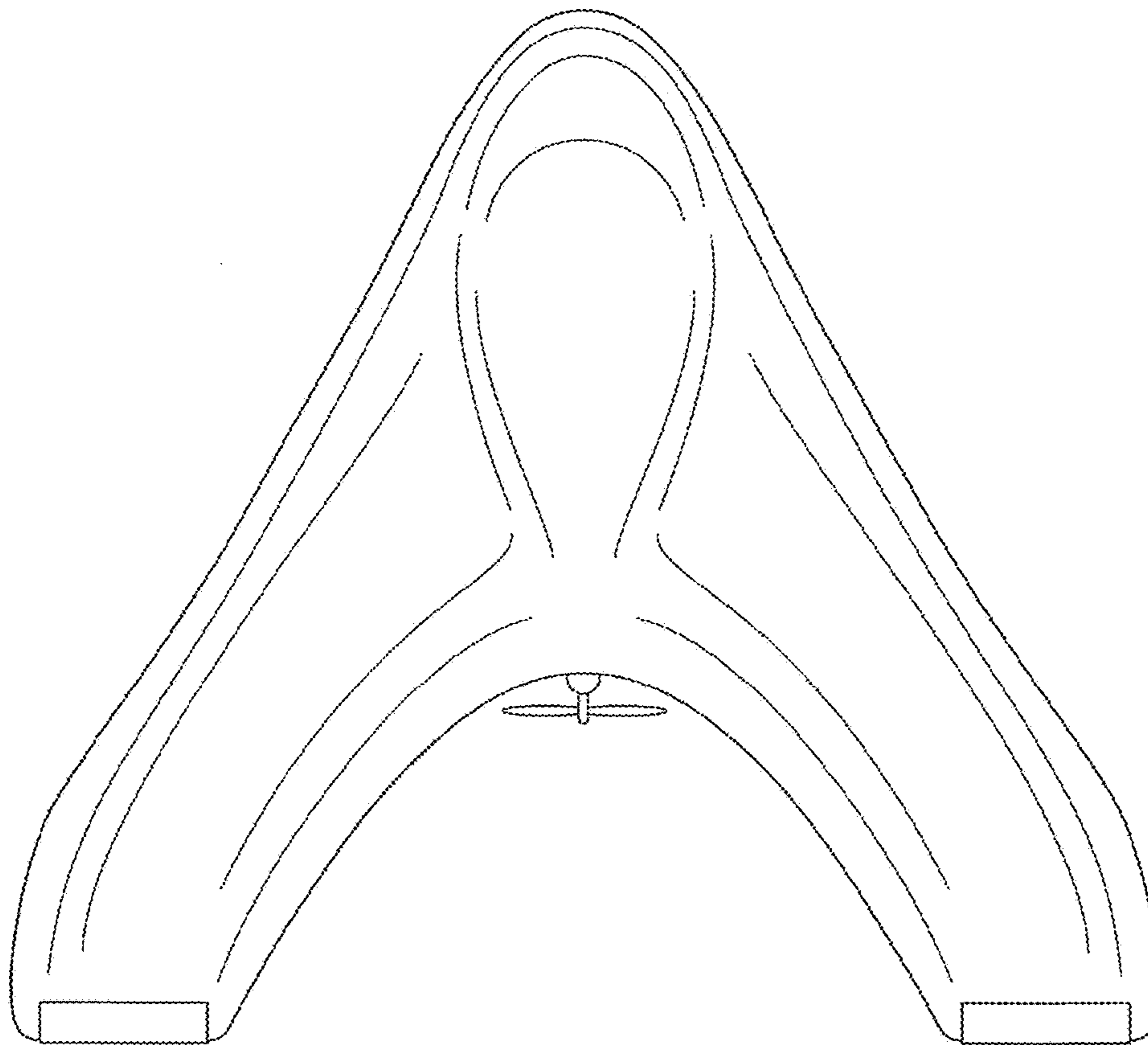


Fig. 6

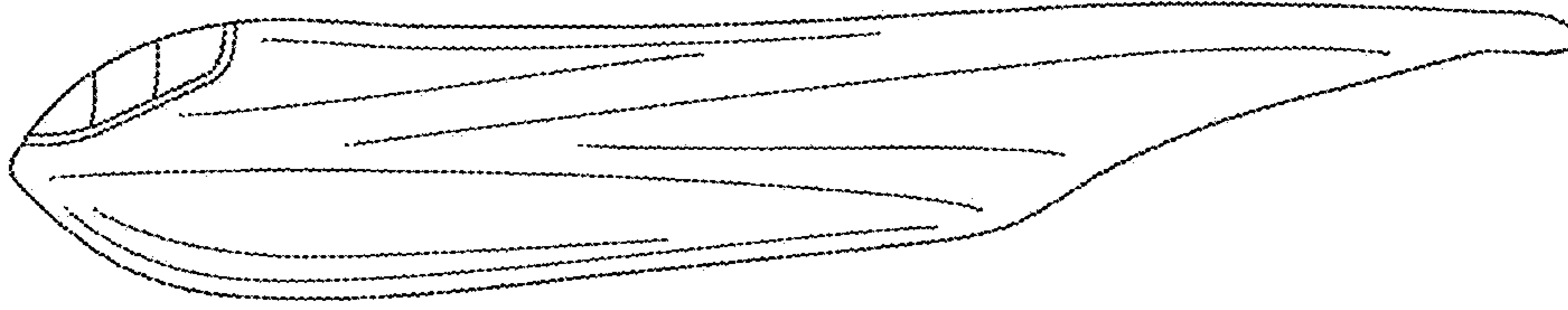


Fig. 7

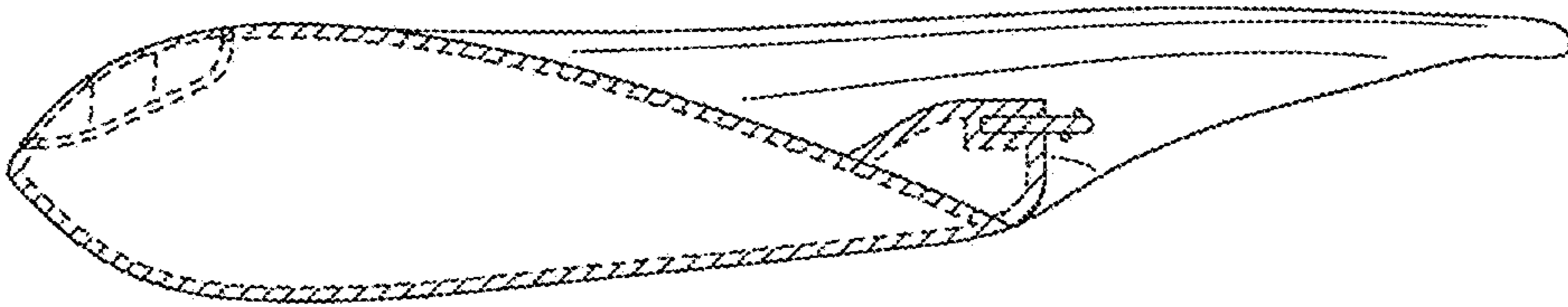


Fig. 8

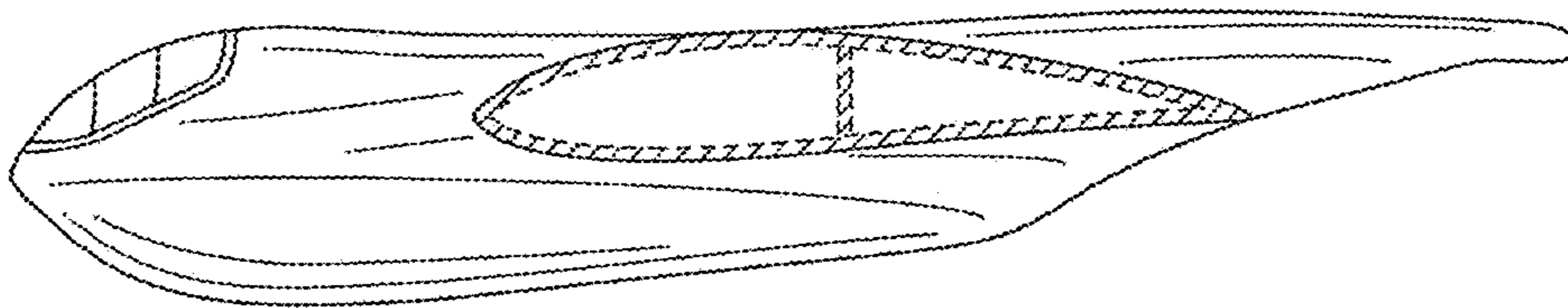


Fig. 9

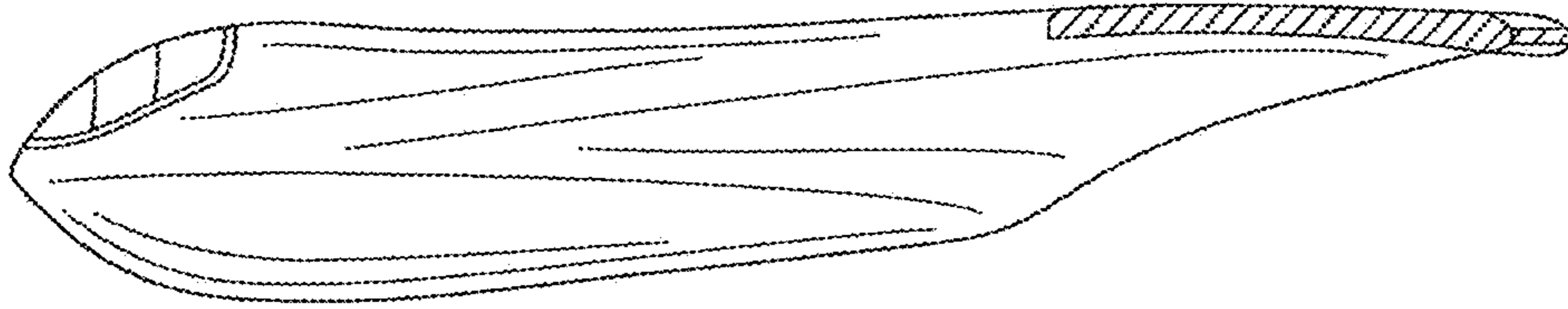


Fig. 10

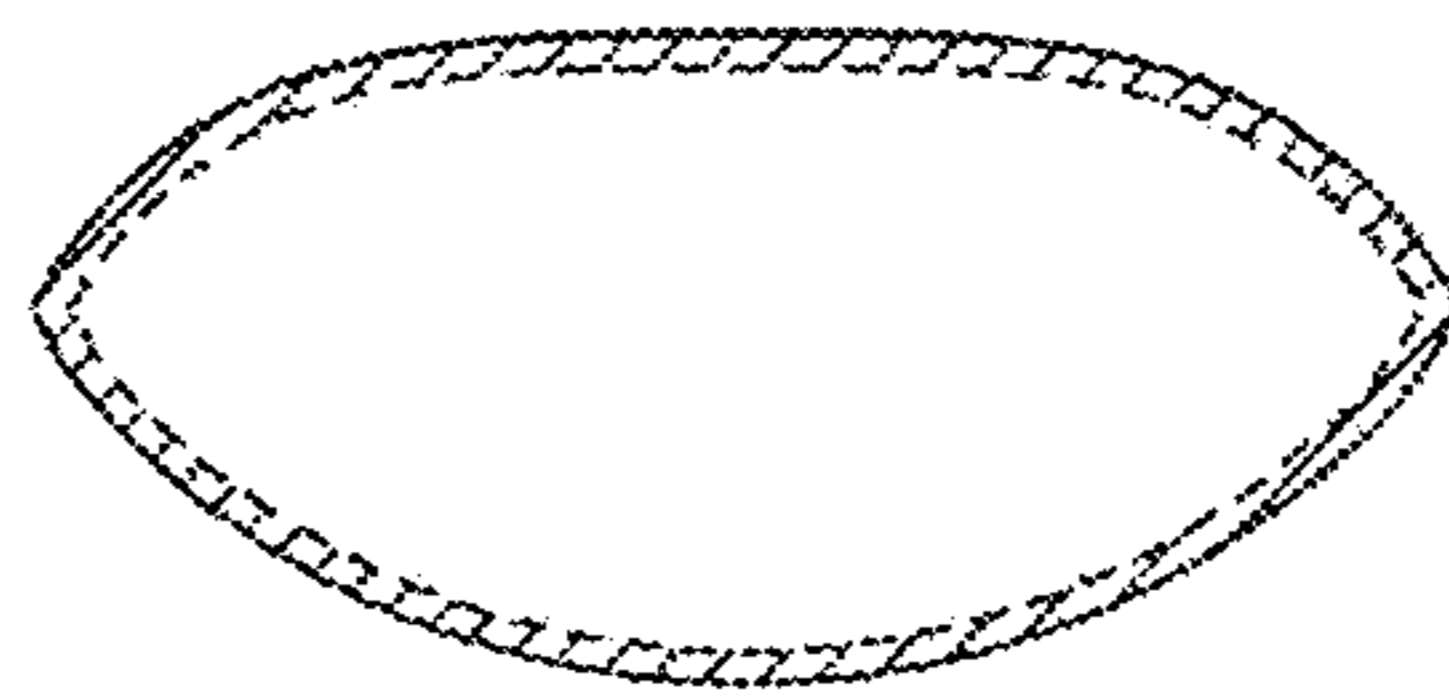


Fig. 11

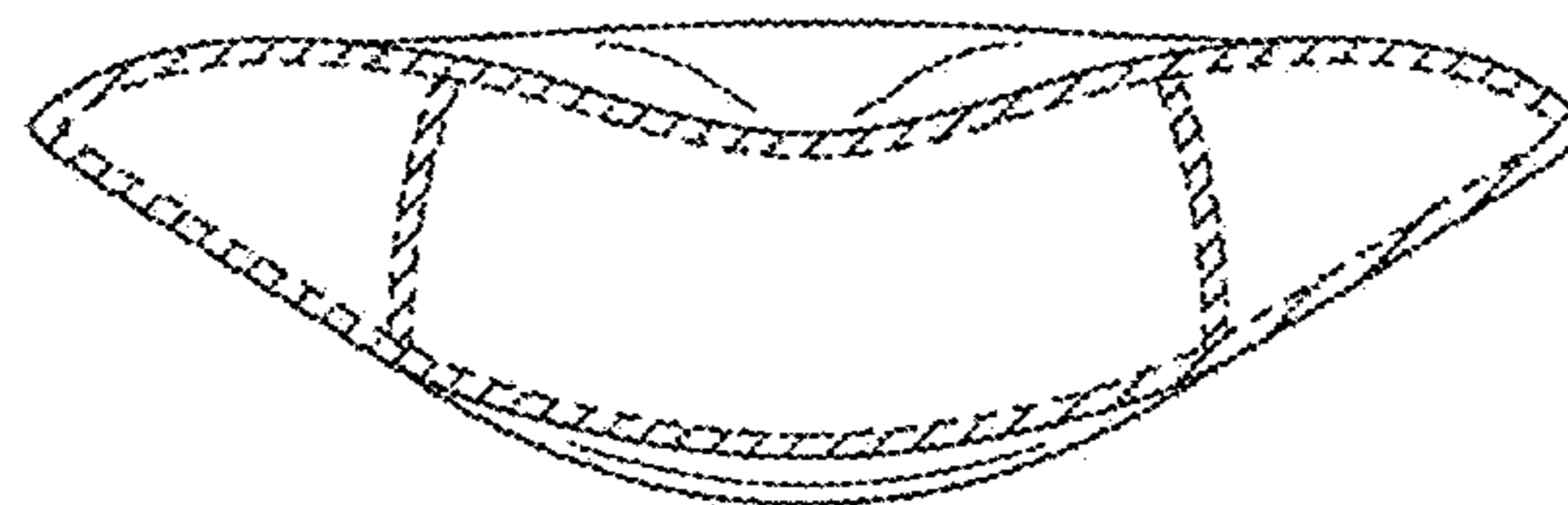


Fig. 12

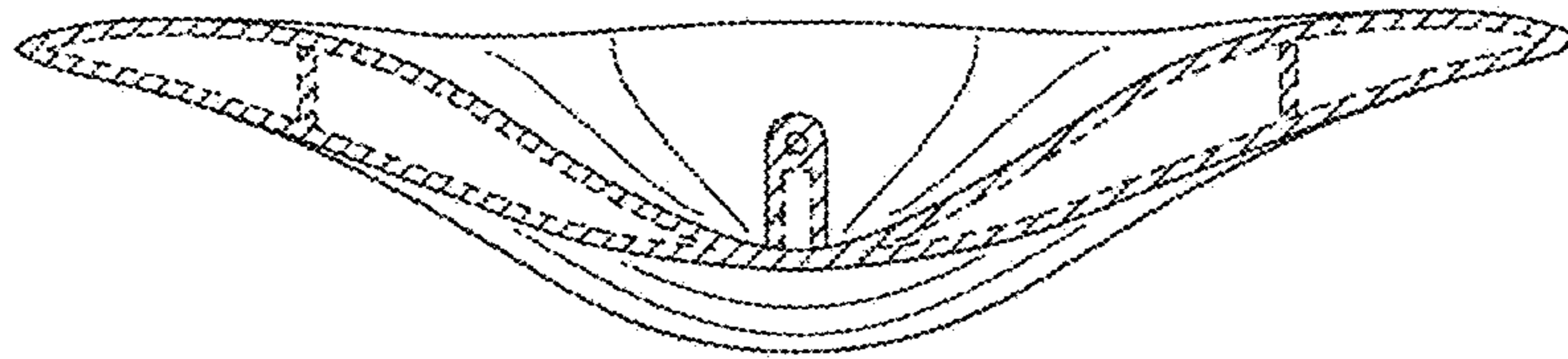


Fig. 13

