



US00D807808S

(12) **United States Design Patent**  
**Heaton**

(10) **Patent No.:** **US D807,808 S**  
(45) **Date of Patent:** **\*\* Jan. 16, 2018**

(54) **UNDERWATER TOWING DEVICE**

(71) Applicant: **Richard Allen Heaton**, Kaneohe, HI  
(US)

(72) Inventor: **Richard Allen Heaton**, Kaneohe, HI  
(US)

(\*\*) Term: **15 Years**

(21) Appl. No.: **29/564,102**

(22) Filed: **May 10, 2016**

(51) **LOC (11) Cl.** ..... **12-06**

(52) **U.S. Cl.**  
USPC ..... **D12/317**

(58) **Field of Classification Search**  
USPC ..... D12/317, 302–304, 308–310, 318, 2, 3;  
D08/300, 315–316, 319–321;  
D21/805–806, 839–840, 775, 777  
CPC ..... B63B 35/815; B63B 35/7946; B63B  
35/7926; B63B 35/7923; B63B 15/00;  
B63B 3/00; B63B 3/02; B63B 3/09;  
B63B 3/10; B63B 3/12; B63B 3/13;  
B63B 3/14; B63B 17/00; B63B 17/02;  
B63B 25/18; B63B 21/56; B63B 21/66;  
B63B 21/663; B63B 21/54; B63B 21/045;  
B63B 21/04; B63B 27/22; B63B 1/248;  
B63B 1/242; B63B 1/24; B63B 1/28;  
B63B 1/30; B63B 1/26; B63B 1/04;  
B63B 2039/063; B63B 2017/026; B63H  
20/24; E04H 15/60

See application file for complete search history.

(56) **References Cited**

**U.S. PATENT DOCUMENTS**

4,602,589 A \* 7/1986 Quinata ..... A63B 35/12  
114/242  
5,323,727 A 6/1994 Heaton  
D730,418 S \* 5/2015 Tjom ..... D12/308

2012/0108405 A1\* 5/2012 Milo ..... A63B 22/203  
482/142  
2013/0010571 A1\* 1/2013 Sudow ..... G01V 1/3826  
367/16  
2013/0102208 A1\* 4/2013 Myny ..... B63B 1/10  
440/38  
2014/0262577 A1\* 9/2014 Ambrisco ..... B60D 1/14  
180/167  
2014/0326170 A1\* 11/2014 Borel ..... B63B 21/10  
114/244

**OTHER PUBLICATIONS**

Underwater Drones (Updated), posted at Dronecenter.bard.edu.,  
posted on Oct. 28, 2016, site visited Apr. 27, 2017, <<http://dronecenter.bard.edu/underwater-drones-updated/>>.\*

\* cited by examiner

*Primary Examiner* — Barbara Fox  
*Assistant Examiner* — Messina L Smith  
(74) *Attorney, Agent, or Firm* — Martin E. Hsia; Keri  
Ann K. S. Krzykowski

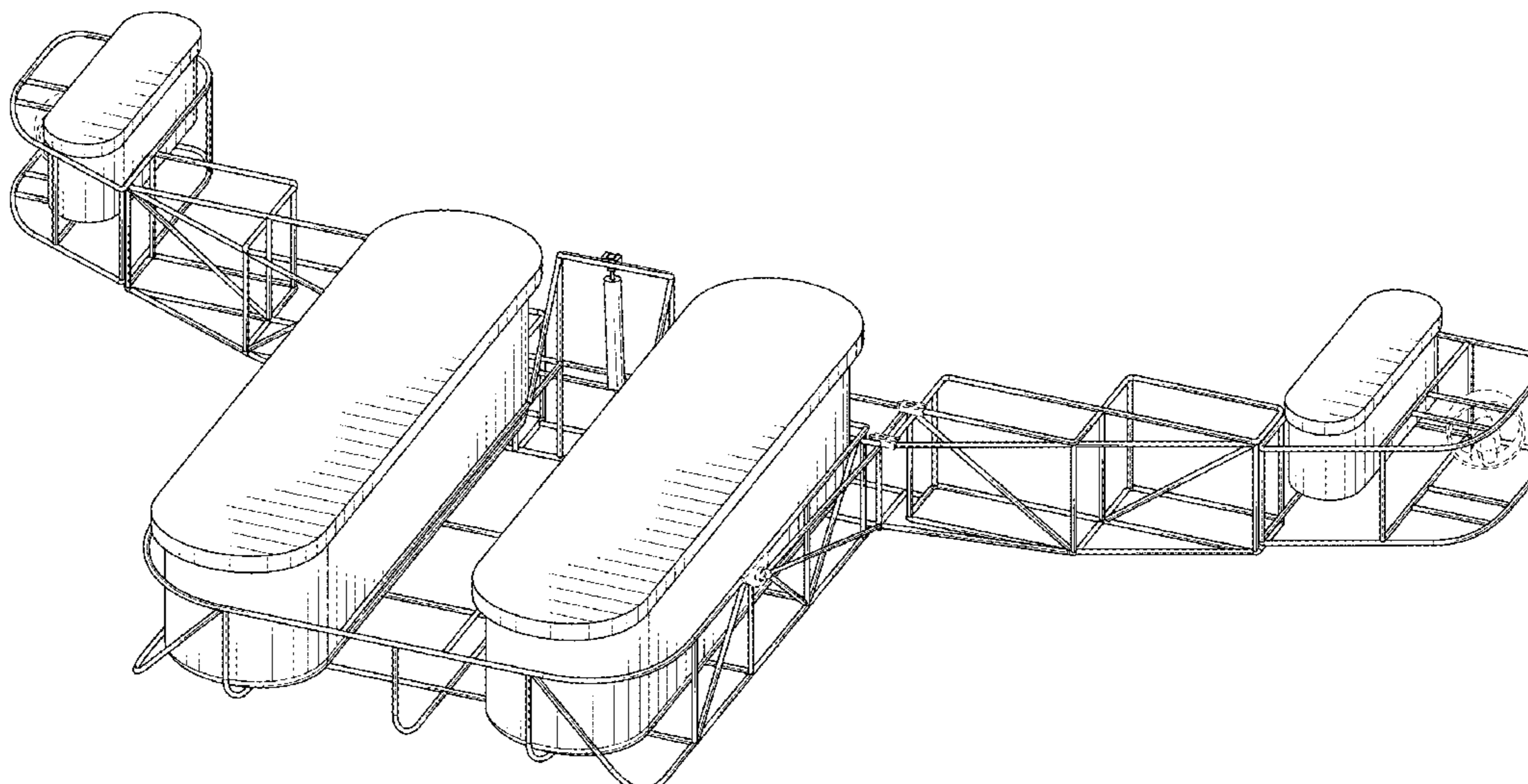
(57) **CLAIM**

The ornamental design for an underwater towing device, as  
shown and described.

**DESCRIPTION**

FIG. 1 is a front top perspective view of an underwater  
towing device showing the new design;  
FIG. 2 is a front elevational view thereof;  
FIG. 3 is a rear elevational view thereof;  
FIG. 4 is a left elevational view thereof, the right elevational  
view being the mirror image;  
FIG. 5 is a top plan view thereof; and,  
FIG. 6 is a bottom plan view thereof.  
The broken lines shown in FIGS. 1-6 depict portions of the  
underwater towing device that form no part of the design.

**1 Claim, 5 Drawing Sheets**



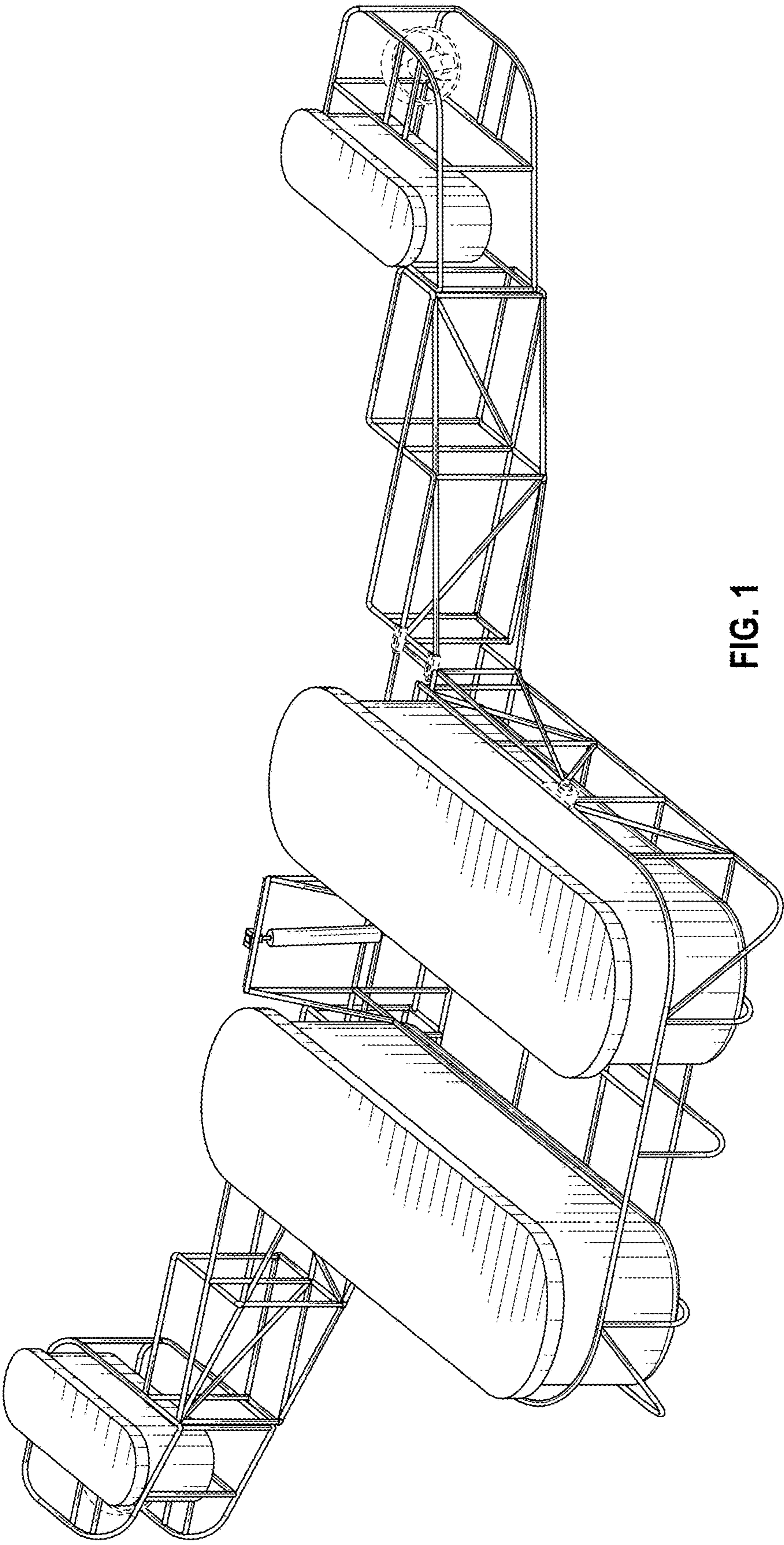


FIG. 1

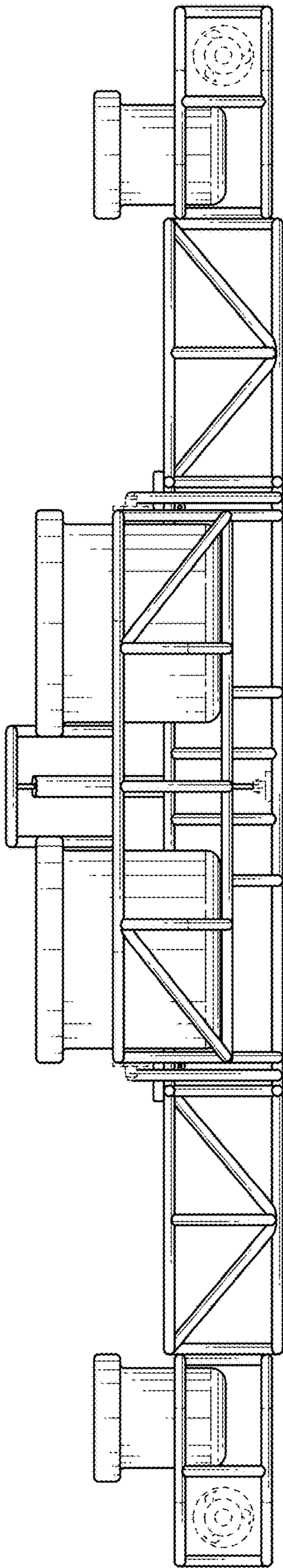


FIG. 2

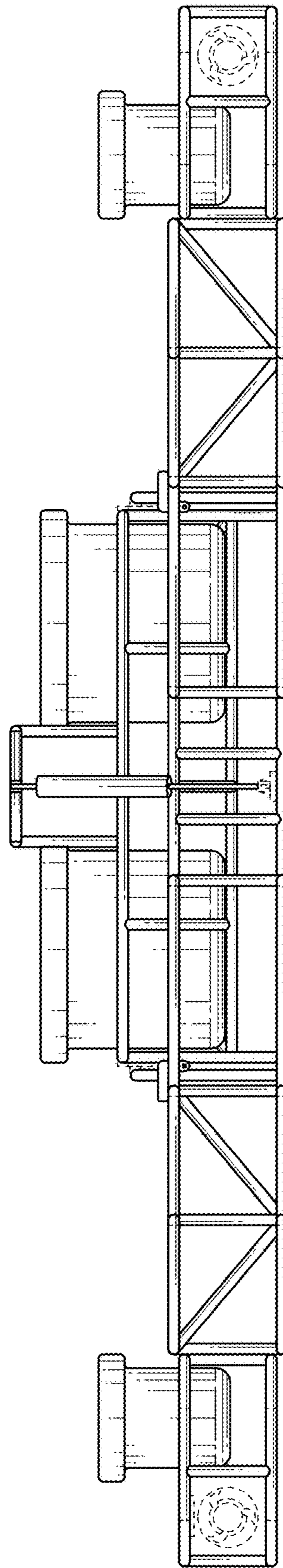


FIG. 3

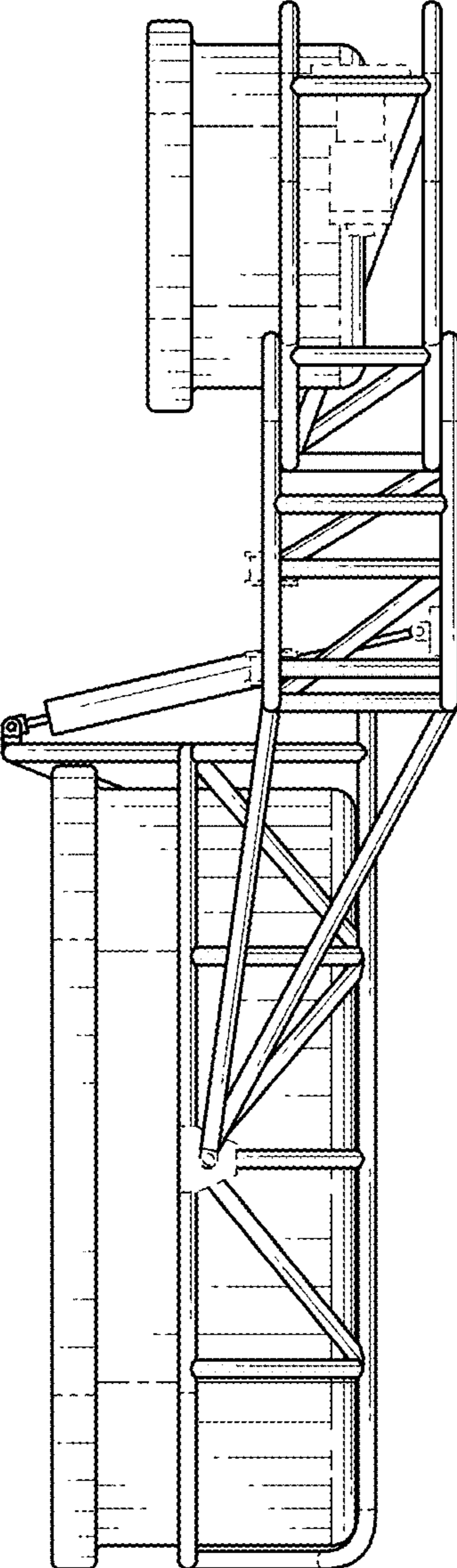


FIG. 4

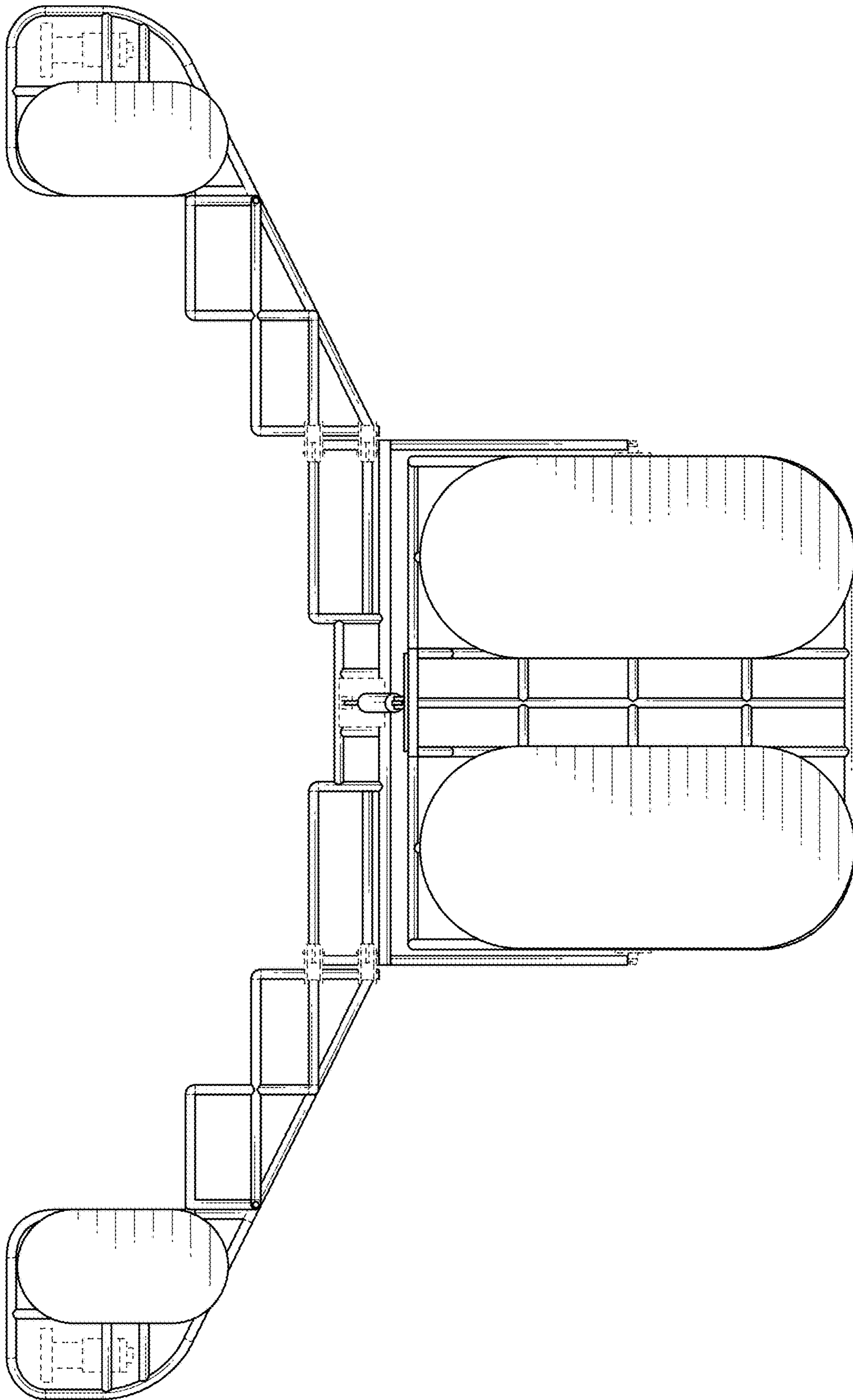


FIG. 5

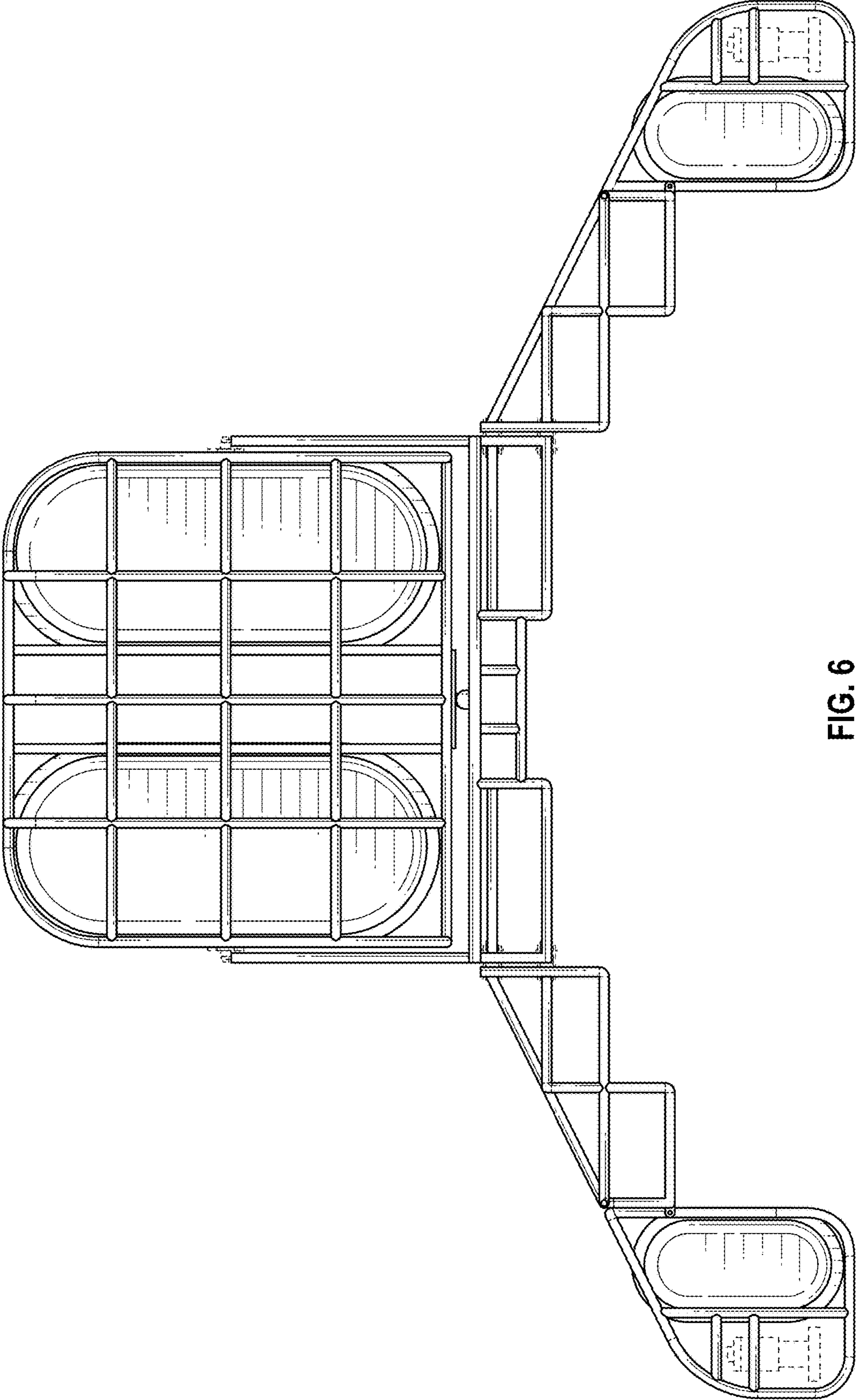


FIG. 6