



US00D807804S

(12) **United States Design Patent**
Huang

(10) **Patent No.:** **US D807,804 S**
(45) **Date of Patent:** **** Jan. 16, 2018**

(54) **AUTO RUNNING BOARD**
(71) Applicant: **Winbo-Dongjian Auto Accessories Manufacturing Co., Ltd., Foshan (CN)**
(72) Inventor: **Wentao Huang, Foshan (CN)**
(73) Assignee: **Winbo-Dongjian Auto Accessories Manufacturing Co., Ltd. (CN)**

D596,097 S * 7/2009 Huang-Tsai D12/203
D596,098 S * 7/2009 Huang-Tsai D12/203
D632,627 S * 2/2011 Huang-Tsai D12/203
D658,559 S * 5/2012 Hodges D12/203
D676,368 S * 2/2013 Cover D12/203
D737,188 S * 8/2015 Perkins D12/203
D766,797 S * 9/2016 Li D12/203
2003/0006576 A1* 1/2003 Lanoue B60R 3/002
280/163
2005/0067741 A1* 3/2005 Chapman B29C 49/20
264/516

(**) Term: **15 Years**

* cited by examiner

(21) Appl. No.: **29/551,276**

Primary Examiner — George D. Kirschbaum

(22) Filed: **Jan. 12, 2016**

Assistant Examiner — Clese Moore, Jr.

(51) **LOC (11) Cl.** **12-16**

(74) *Attorney, Agent, or Firm* — Lerner, David, Littenberg, Krumholz & Mentlik, LLP

(52) **U.S. Cl.**
USPC **D12/203**

(58) **Field of Classification Search**
USPC D12/203, 89, 98, 314, 162, 190, 196
CPC .. B60R 3/002; B60R 3/02; B60R 3/00; B60R 3/005; B60R 3/007

See application file for complete search history.

(57) **CLAIM**

The ornamental design for an auto running board, as shown and described.

(56) **References Cited**

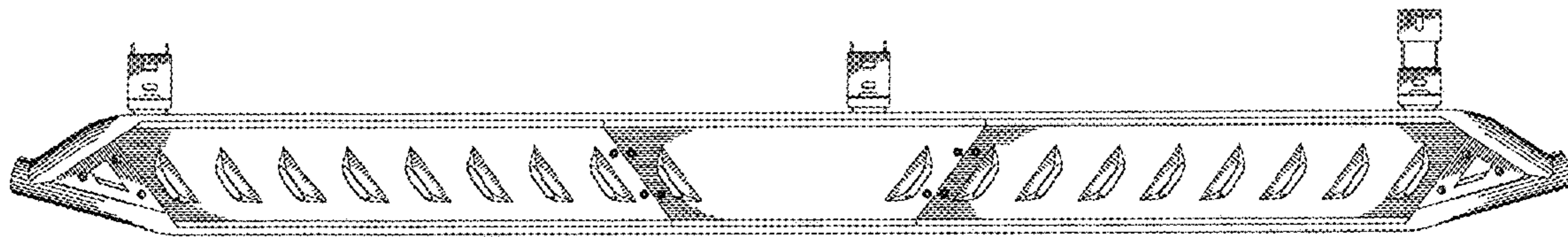
DESCRIPTION

U.S. PATENT DOCUMENTS

D400,151 S * 10/1998 Zentner D12/203
D400,485 S * 11/1998 Zentner D12/203
D434,711 S * 12/2000 McQuiston D12/203
D436,336 S * 1/2001 Sadr D12/203
D473,178 S * 4/2003 Schumacher D12/203
D535,928 S * 1/2007 Crandall D12/203
7,287,770 B2 * 10/2007 Drabant B60R 3/002
280/163
D568,221 S * 5/2008 Cord D12/203
D588,514 S * 3/2009 Kudelko D12/203

FIG. 1 is a front elevational view of an auto running board showing my new design;
FIG. 2 is a rear elevational view thereof;
FIG. 3 is a bottom plan view thereof;
FIG. 4 is a top plan view thereof;
FIG. 5 is a right side elevational view thereof;
FIG. 6 is a left side elevational view thereof; and,
FIG. 7 is a perspective view thereof.

1 Claim, 3 Drawing Sheets



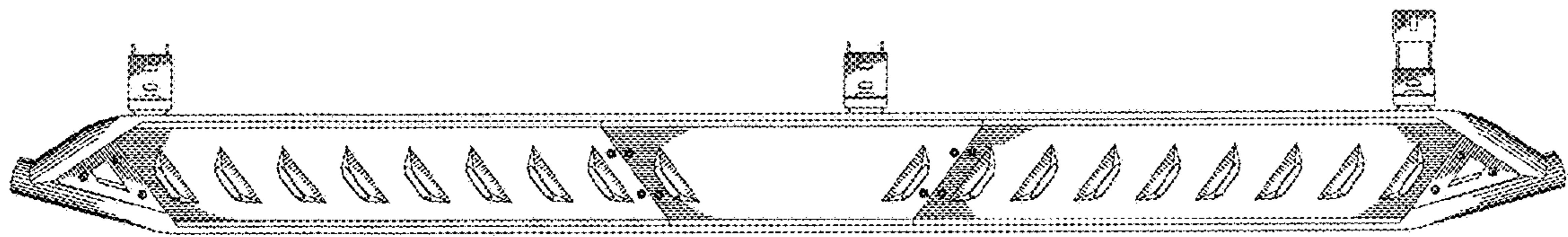


FIG. 1

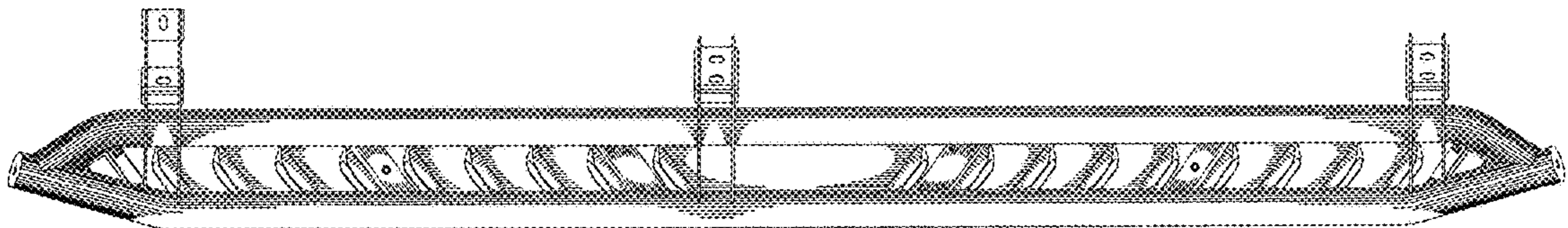


FIG. 2

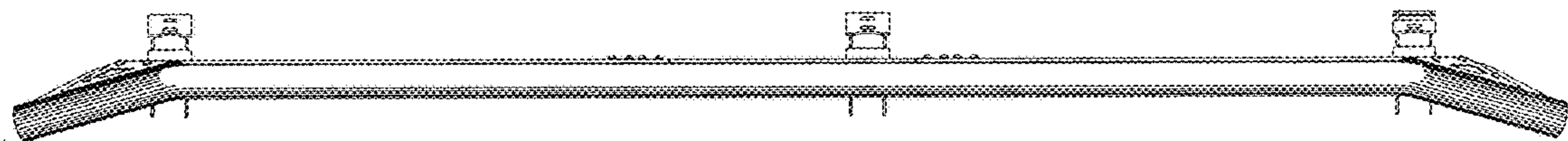


FIG. 3

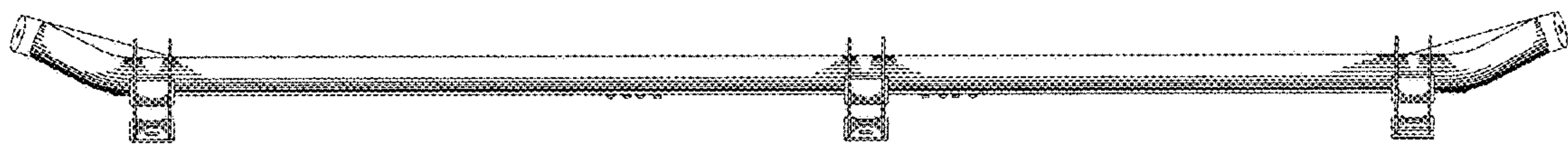


FIG. 4

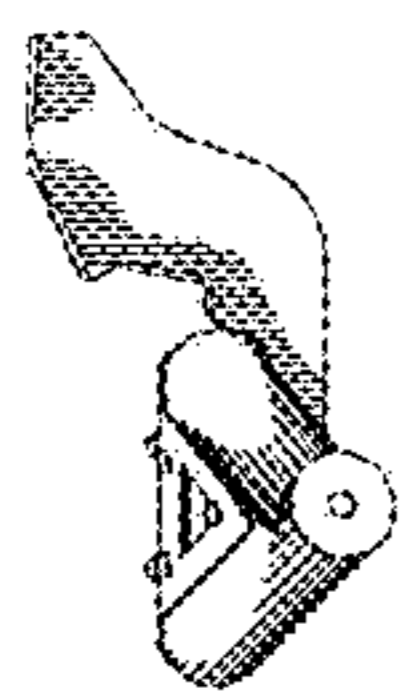


FIG. 5

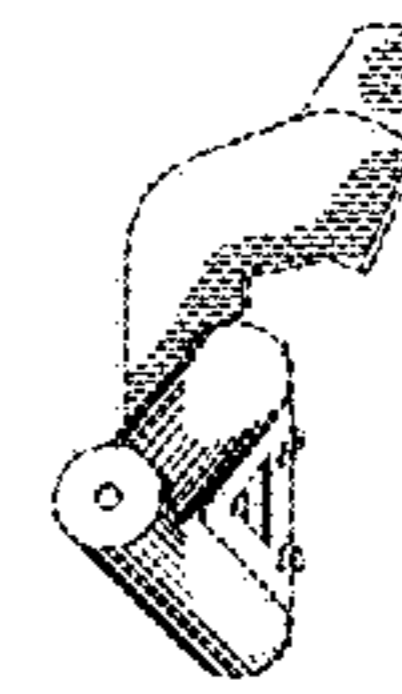


FIG. 6

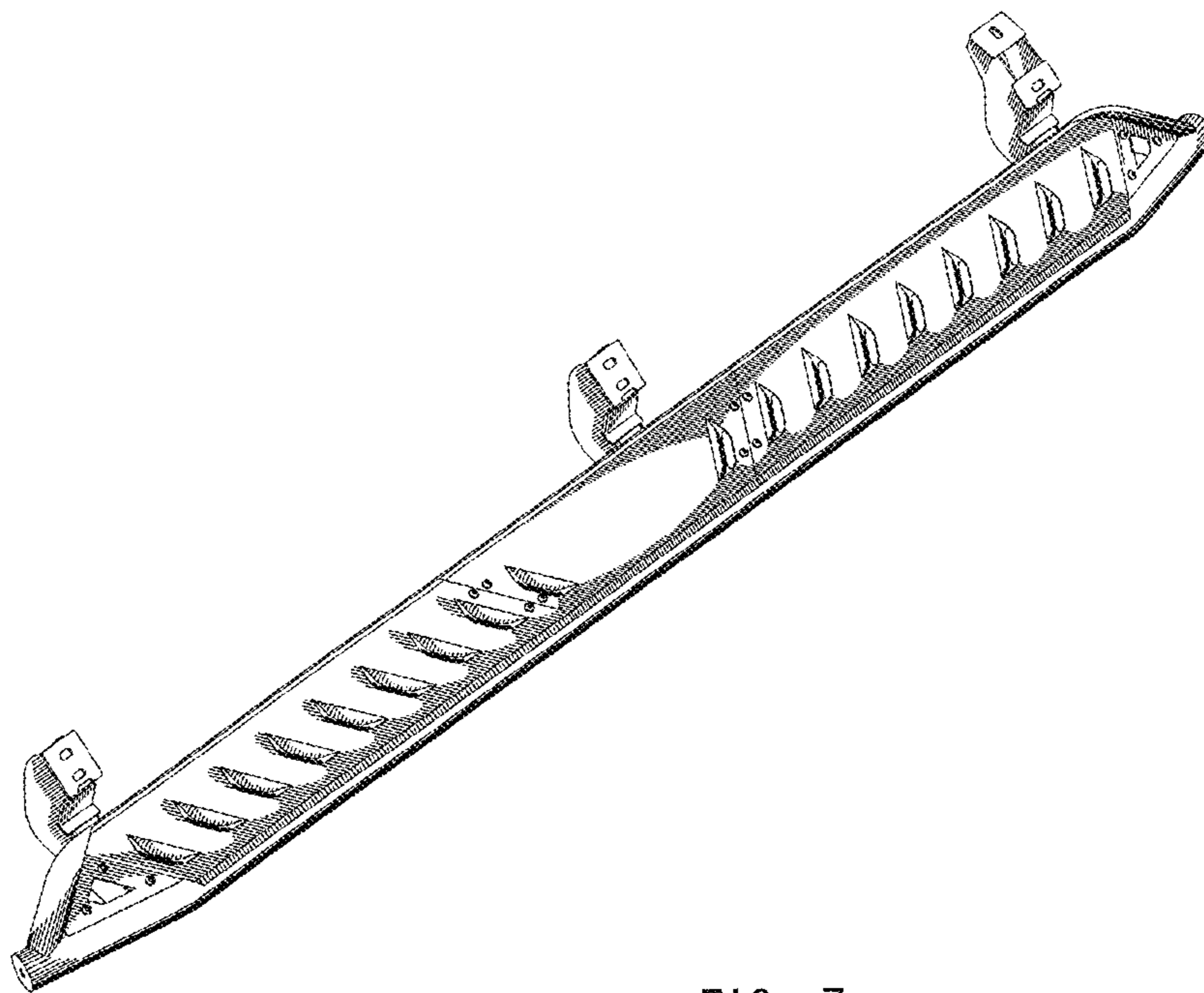


FIG. 7