



US00D807803S

(12) **United States Design Patent**
Bae et al.

(10) **Patent No.:** **US D807,803 S**
(45) **Date of Patent:** **** Jan. 16, 2018**

- (54) **AUTOMOTIVE INSTRUMENT PANEL HAVING DISPLAY DEVICE**
- (71) Applicant: **SAMSUNG DISPLAY CO., LTD.**,
Yongin-si, Gyeonggi-do (KR)
- (72) Inventors: **Jong Sung Bae**, Hwaseong-si (KR);
Myoung Jin Lee, Seoul (KR);
Jae-Won Lee, Hwaseong-si (KR); **Mu Gyeom Kim**, Hwaseong-si (KR)
- (73) Assignee: **Samsung Display Co., Ltd.**, Yongin-si (KR)
- (**) Term: **15 Years**
- (21) Appl. No.: **29/539,121**
- (22) Filed: **Sep. 10, 2015**
- (30) **Foreign Application Priority Data**

Mar. 13, 2015 (KR) 30-2015-0012887

- (51) **LOC (11) Cl.** **12-16**
- (52) **U.S. Cl.**
USPC **D12/192**
- (58) **Field of Classification Search**
USPC D12/192, 195, 400, 183; D10/102;
D15/17, 28; D25/48.7; D6/300, 703,
D6/661

(Continued)

(56) **References Cited**

U.S. PATENT DOCUMENTS

- 2,090,914 A 8/1937 Porter
- 2,594,334 A 4/1952 Miller

(Continued)

FOREIGN PATENT DOCUMENTS

- KR 10-0125225 B1 10/1997

OTHER PUBLICATIONS

U.S. Office Action dated Dec. 22, 2016, issued in cross-reference
U.S. Appl. No. 29/539,124 (9 pages).

(Continued)

Primary Examiner — Phillip S Hyder
(74) *Attorney, Agent, or Firm* — Lewis Roca Rothgerberg
Christie LLP

(57) **CLAIM**

The ornamental design for an automotive instrument panel having display device, as shown and described.

DESCRIPTION

FIG. 1 is a perspective view of an automotive instrument panel having display device with the display device shown in a retracted position;
 FIG. 2 is a front view of the display device shown in the retracted position;
 FIG. 3 is a rear view of the display device shown in the retracted position;
 FIG. 4 is a left side view of the display device shown in the retracted position, the right side view being a mirror image;
 FIG. 5 is a top view of the display device shown in the retracted position;
 FIG. 6 is a bottom view of the display device shown in the retracted position;
 FIG. 7 is another perspective view of the display device shown in the retracted position;
 FIG. 8 is a perspective view of the display device shown in a partially extended position;
 FIG. 9 is a front view of the display device shown in the partially extended position;
 FIG. 10 is a rear view of the display device shown in the partially extended position;
 FIG. 11 is a left side view of the display device shown in the partially extended position, the right side being a mirror image;
 FIG. 12 is a top view of the display device shown in the partially extended position;
 FIG. 13 is a bottom view of the display device shown in the partially extended position;
 FIG. 14 is another perspective view of the display device shown in the partially extended position;
 FIG. 15 is a perspective view of the display device shown in a fully extended position;
 FIG. 16 is a front view of the display device shown in the fully extended position;

(Continued)

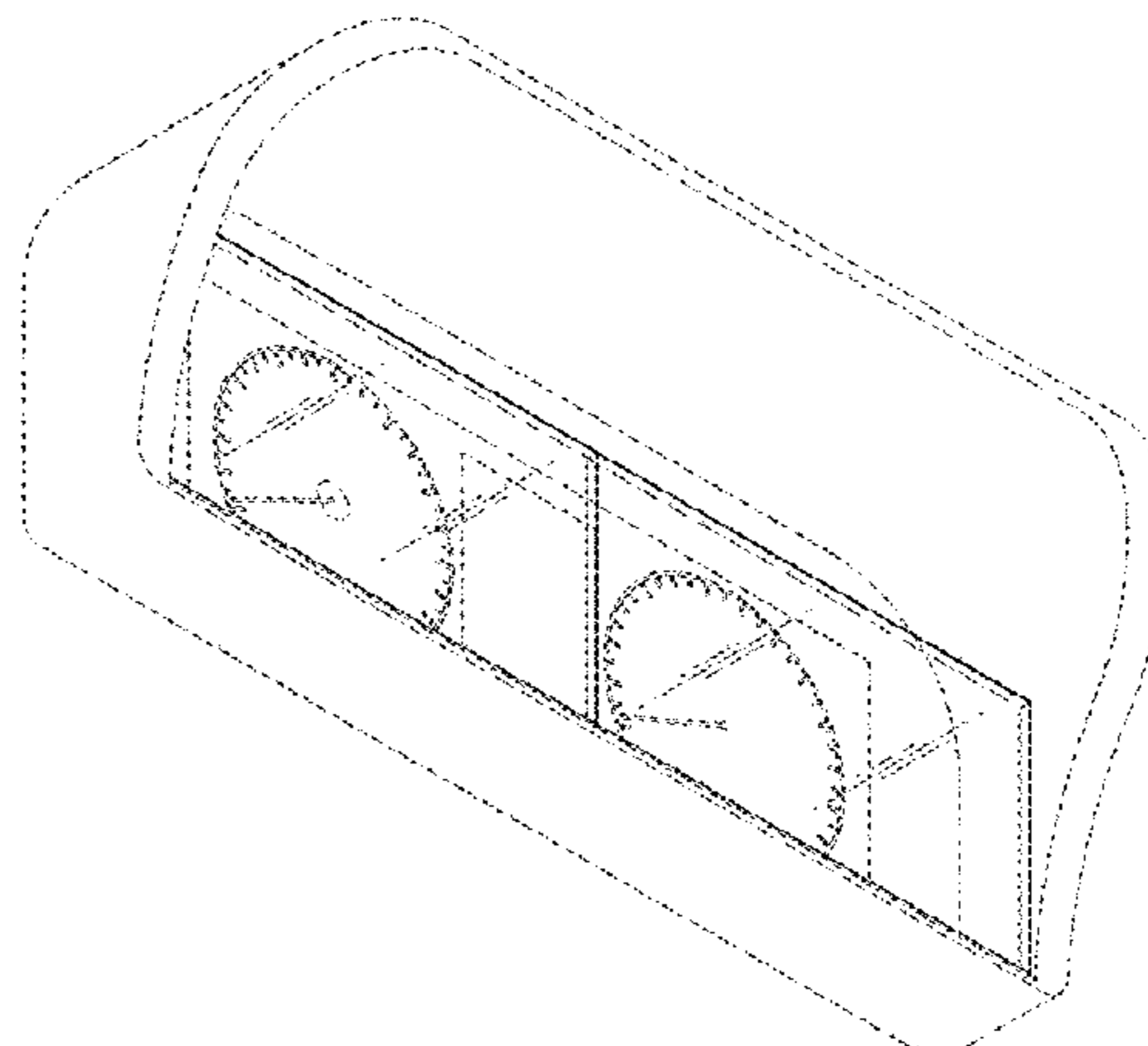
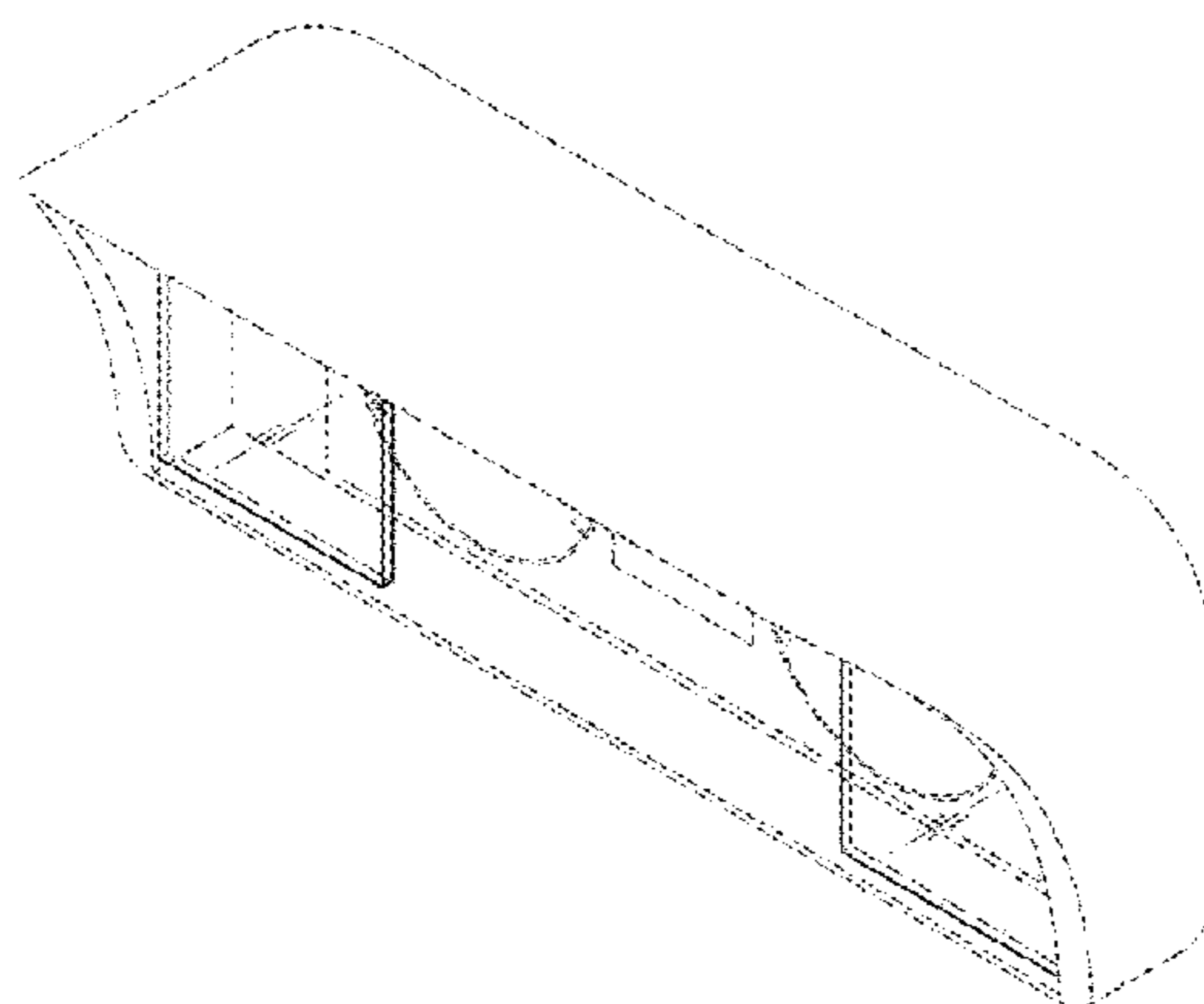


FIG. 17 is a rear view of the display device shown in the fully extended position;
 FIG. 18 is a left side view of the display device shown in the fully extended position, the right side being a mirror image;
 FIG. 19 is a top view of the display device shown in the fully extended position;
 FIG. 20 is a bottom view of the display device shown in the fully extended position;
 FIG. 21 is another perspective view of the display device shown in the fully extended position; and,
 FIG. 22 is a front view of the automotive instrument panel having display device in which an image, such as a navigational map, is displayed on the display device, the image forming no part of the claimed design.
 The broken lines shown in the drawings illustrate portions of the automotive instrument panel having display device that form no part of the claimed design.

1 Claim, 16 Drawing Sheets

(58) **Field of Classification Search**

CPC G01D 11/28; G01D 11/30; G01D 11/24;
 B60K 37/02; B60K 2350/2008
 See application file for complete search history.

(56) **References Cited**

U.S. PATENT DOCUMENTS

2,708,857 A 5/1955 Golding
 2,769,534 A 11/1956 Lidgard
 2,770,487 A * 11/1956 Isbell B60J 1/16
 296/93
 2,770,853 A 11/1956 Groff
 2,893,905 A 7/1959 Makovic, Jr. et al.
 3,364,603 A 1/1968 Tate, Jr.
 4,124,054 A * 11/1978 Spretnjak B60J 1/1853
 160/90
 D265,561 S 7/1982 Cottrell

4,375,316 A 3/1983 Le Vantine
 4,424,953 A 1/1984 Takagi et al.
 4,438,965 A * 3/1984 Stearns E05B 65/0888
 292/256.75
 4,559,925 A 12/1985 Snow
 4,893,775 A 1/1990 Long
 4,953,956 A 9/1990 Carpenter
 5,072,313 A 12/1991 Schweitzer et al.
 5,092,775 A 3/1992 Wolf et al.
 5,104,086 A 4/1992 Ramey, III et al.
 D337,462 S 7/1993 LaVaute et al.
 5,373,863 A 12/1994 Prizio
 5,485,693 A 1/1996 Frenken et al.
 5,822,922 A * 10/1998 Grumm B60J 1/1853
 49/360
 6,018,913 A * 2/2000 Lin E05D 15/56
 49/360
 6,283,432 B1 9/2001 Hoose, Jr.
 D461,977 S 8/2002 Mitchell
 6,474,009 B2 11/2002 Hahn
 D472,083 S 3/2003 English et al.
 D477,882 S * 7/2003 Clarkin D25/48.7
 D497,739 S 11/2004 English et al.
 D518,109 S 3/2006 Opolka
 7,040,723 B2 5/2006 Matus, Jr.
 D543,740 S 6/2007 Hartsfield, Jr. et al.
 7,296,373 B1 11/2007 Hahn
 D633,147 S 2/2011 Parshad
 D724,511 S 3/2015 Ahn et al.
 9,144,329 B1 9/2015 McGrath
 D741,766 S * 10/2015 Nakamura D12/192
 D743,089 S 11/2015 Sugihara et al.
 2004/0256535 A1 12/2004 Desch
 2006/0086052 A1 * 4/2006 Petta B29C 47/0028
 49/404

OTHER PUBLICATIONS

U.S. Office Action dated Dec. 23, 2016, issued in cross-reference
 U.S. Appl. No. 29/539,120 (10 pages).
 U.S. Office Action dated Jun. 21, 2017, issued in cross-reference
 U.S. Appl. No. 29/539,123 (7 pages).

* cited by examiner

FIG. 1

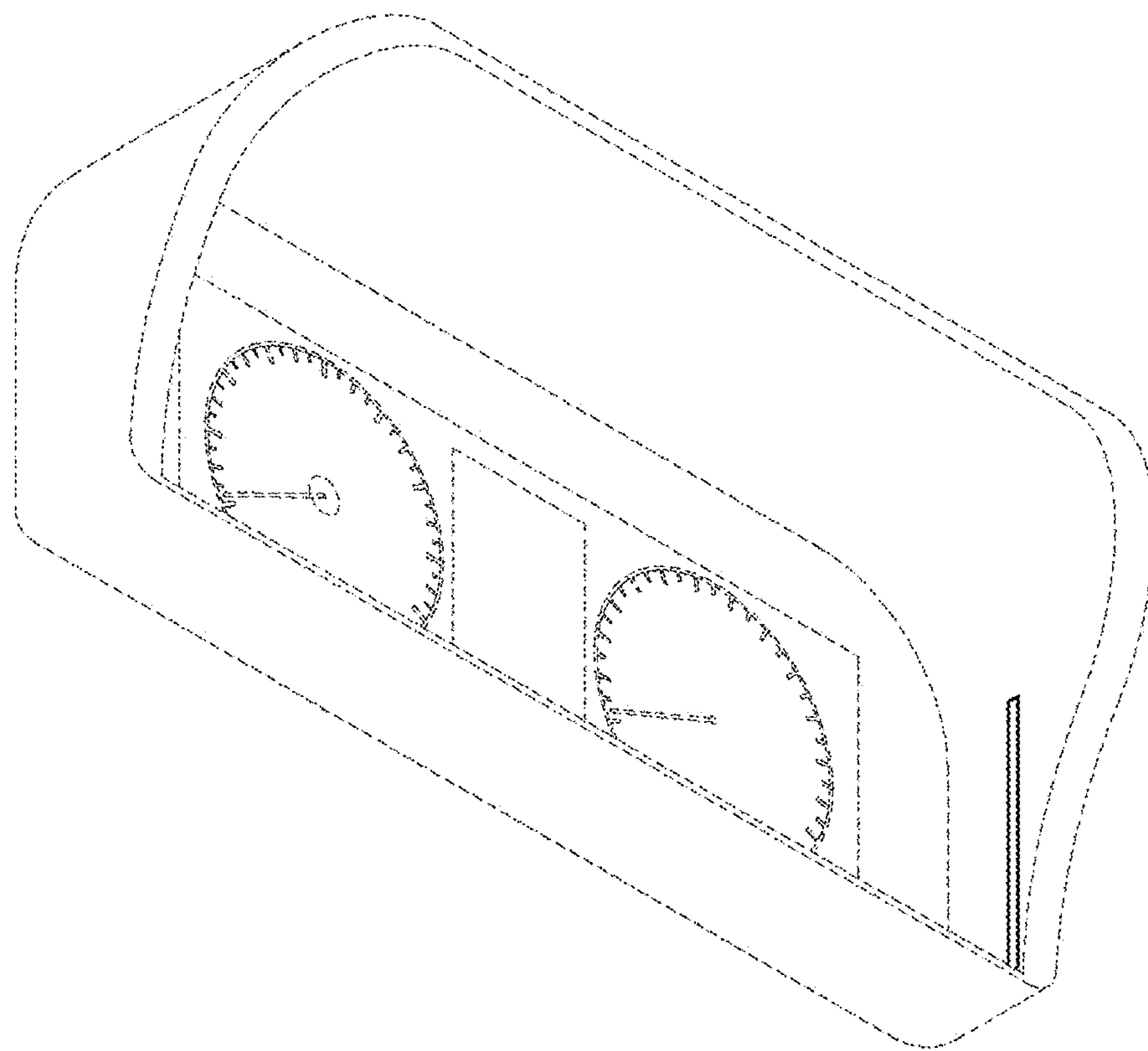


FIG. 2

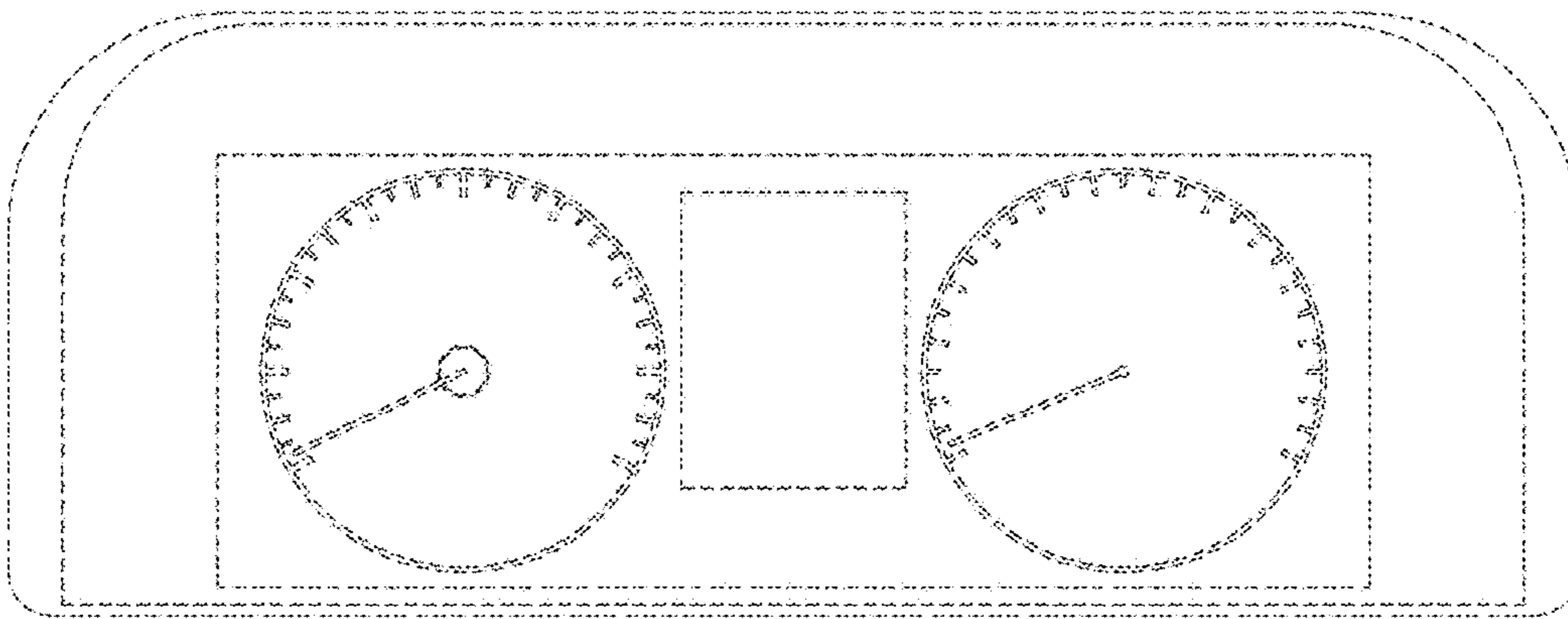


FIG. 3

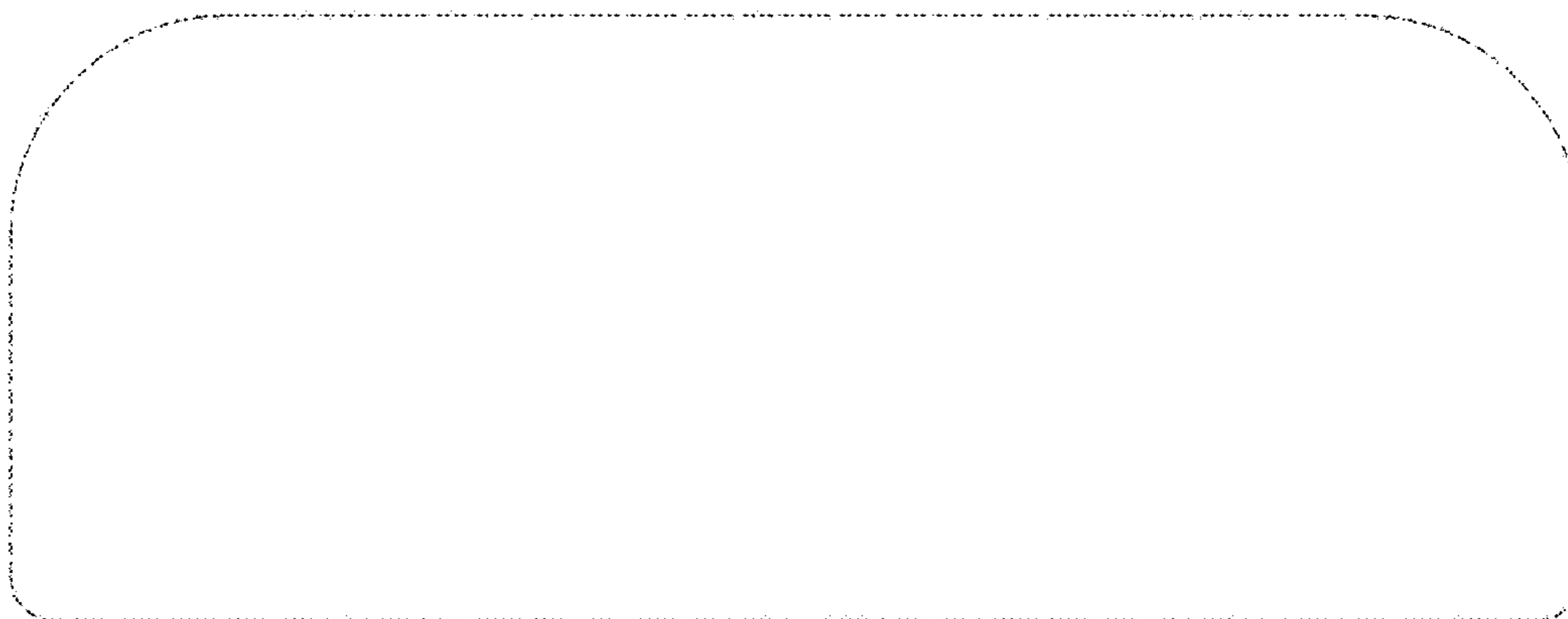


FIG. 4

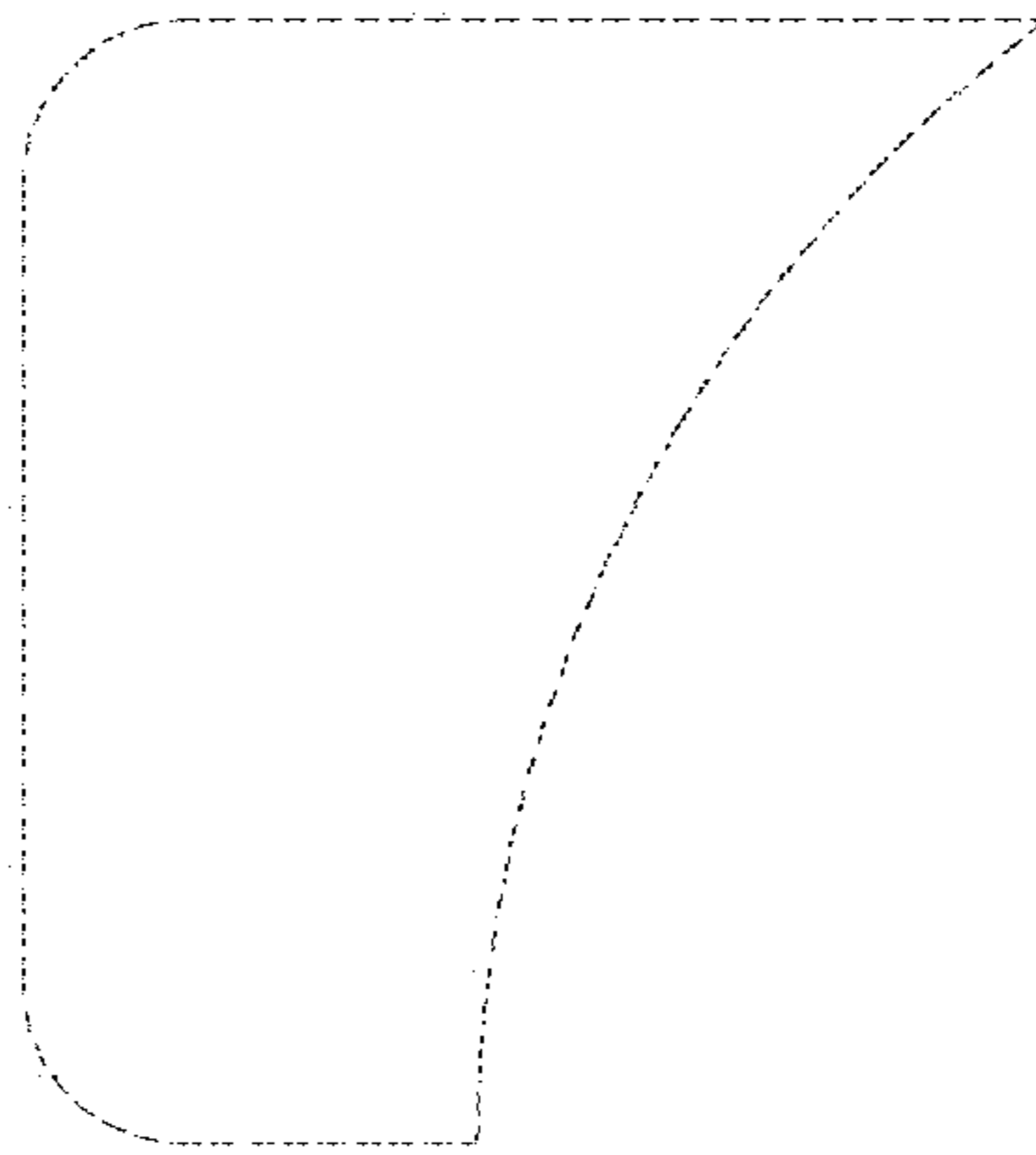


FIG. 5



FIG. 6



FIG. 7

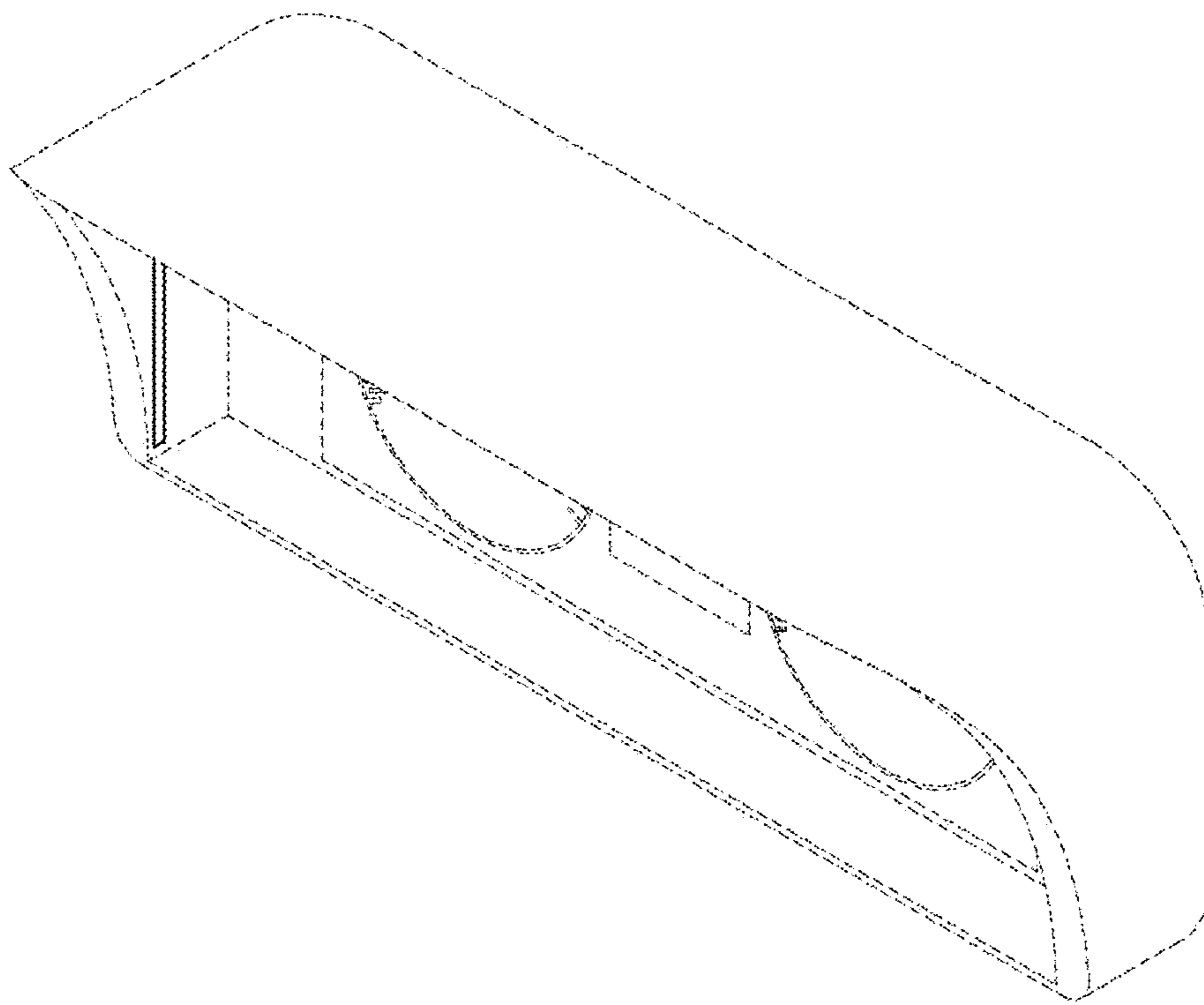


FIG. 8

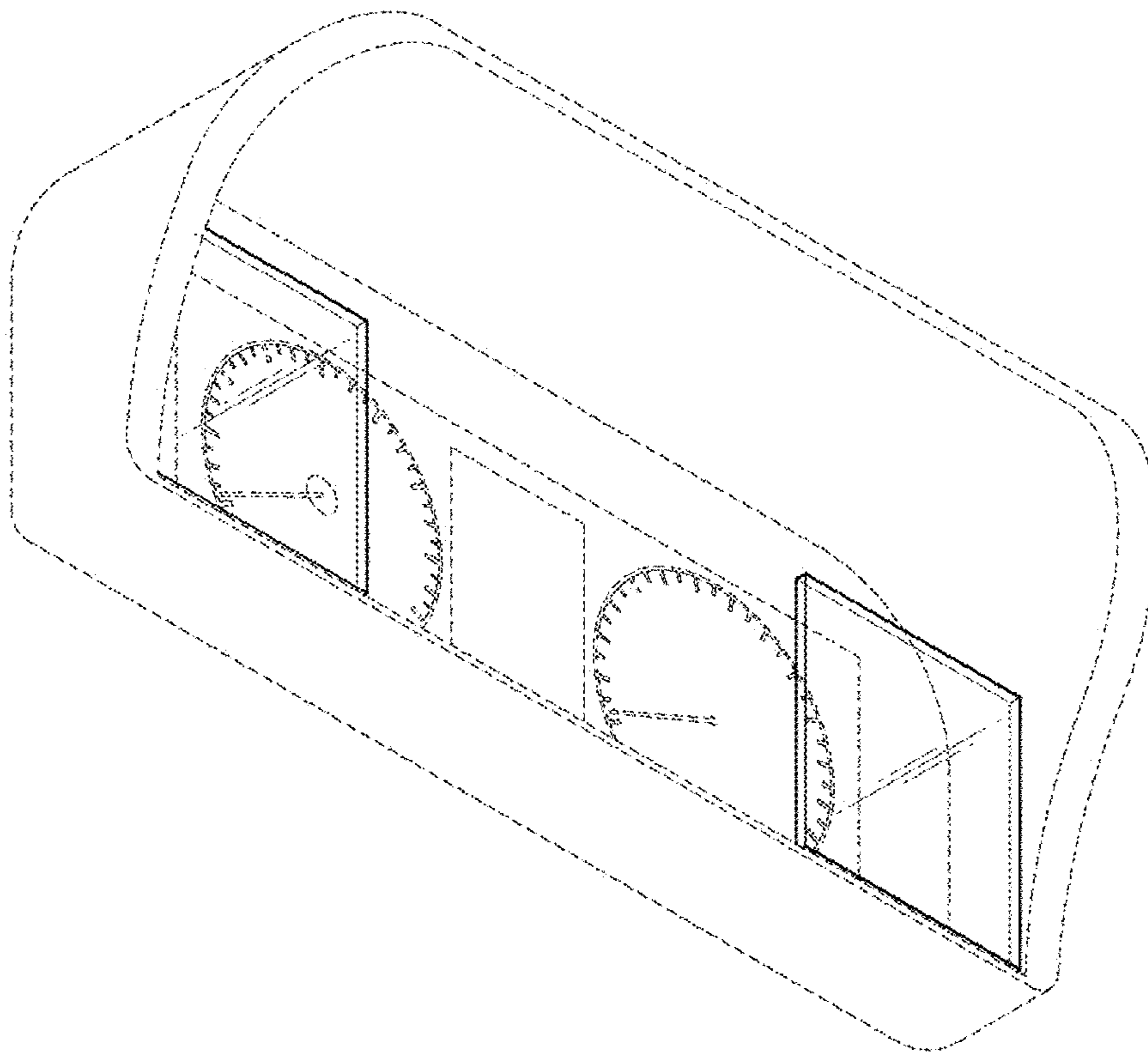


FIG. 9

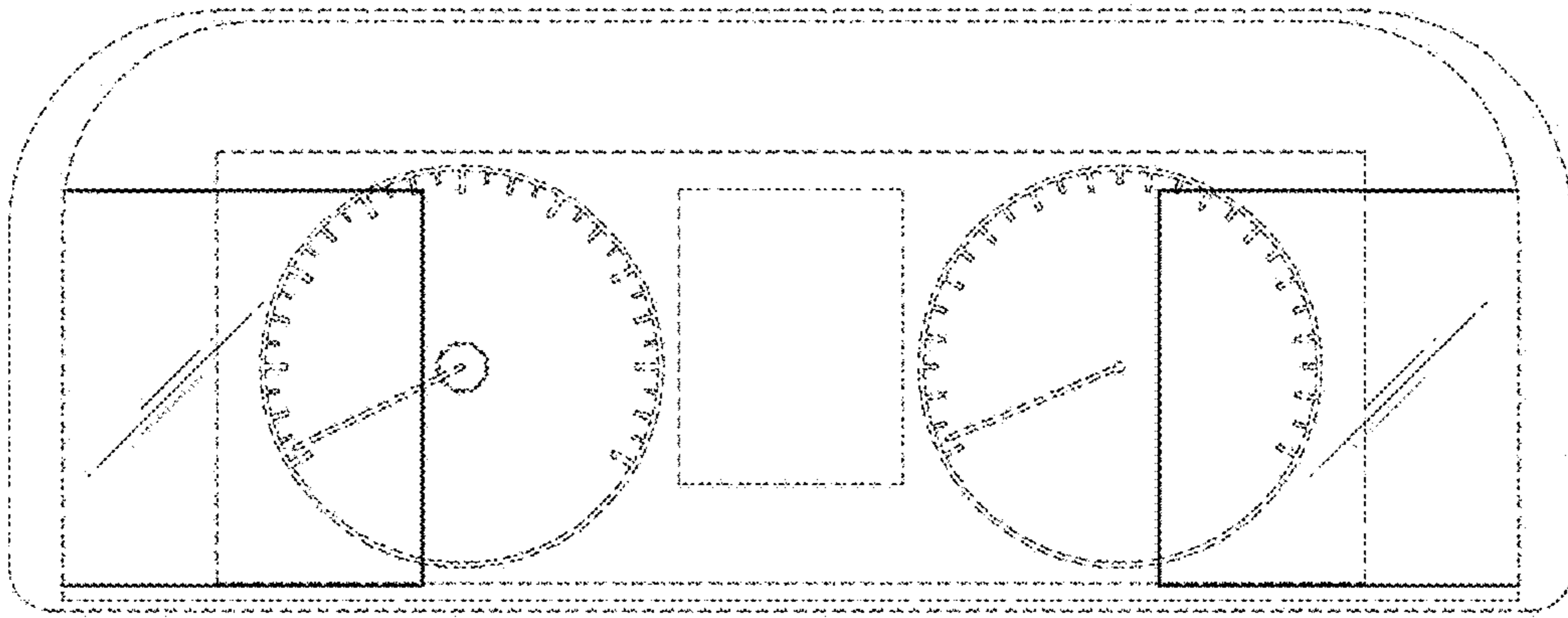


FIG. 10



FIG. 11

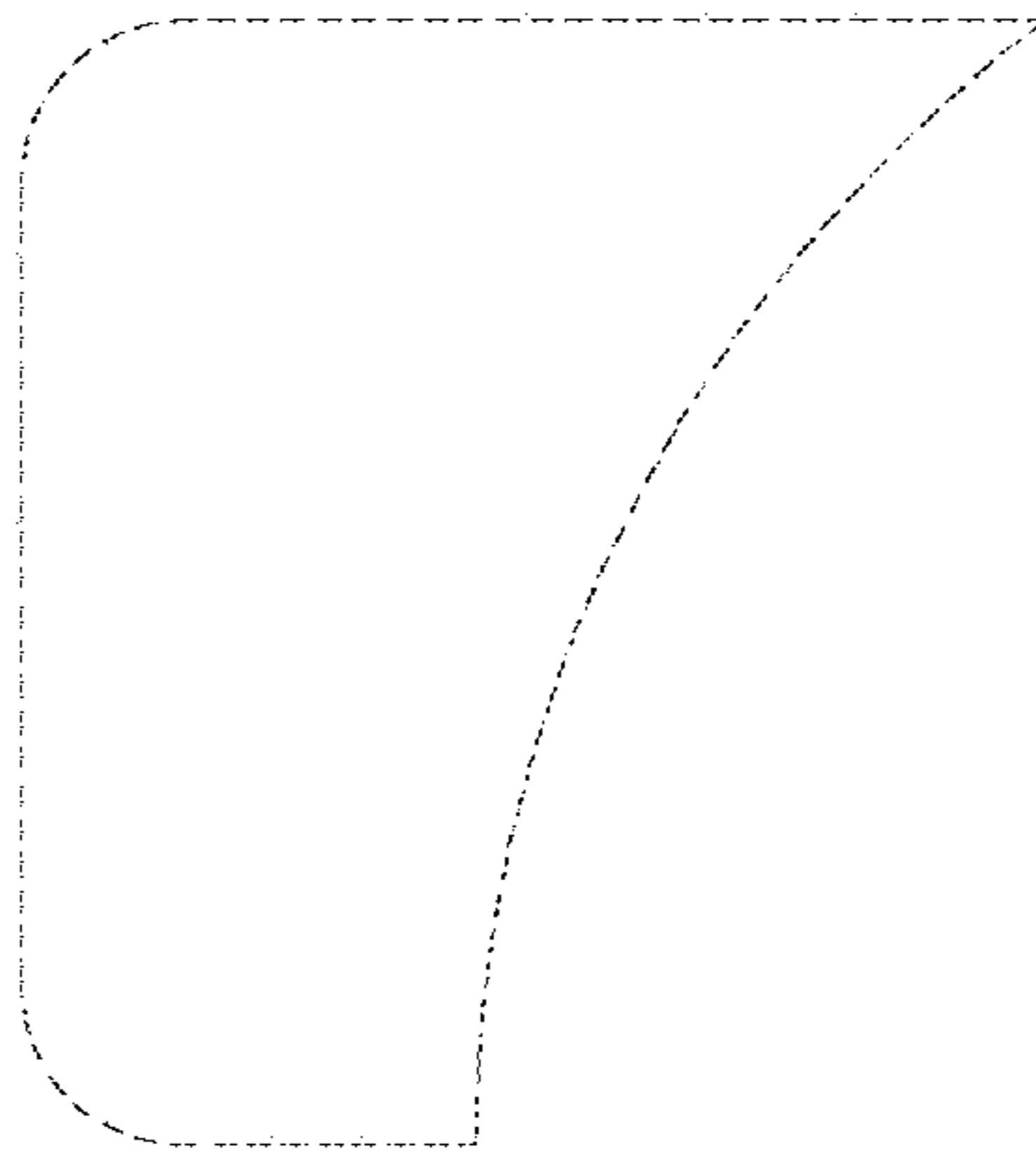


FIG. 12



FIG. 13



FIG. 14

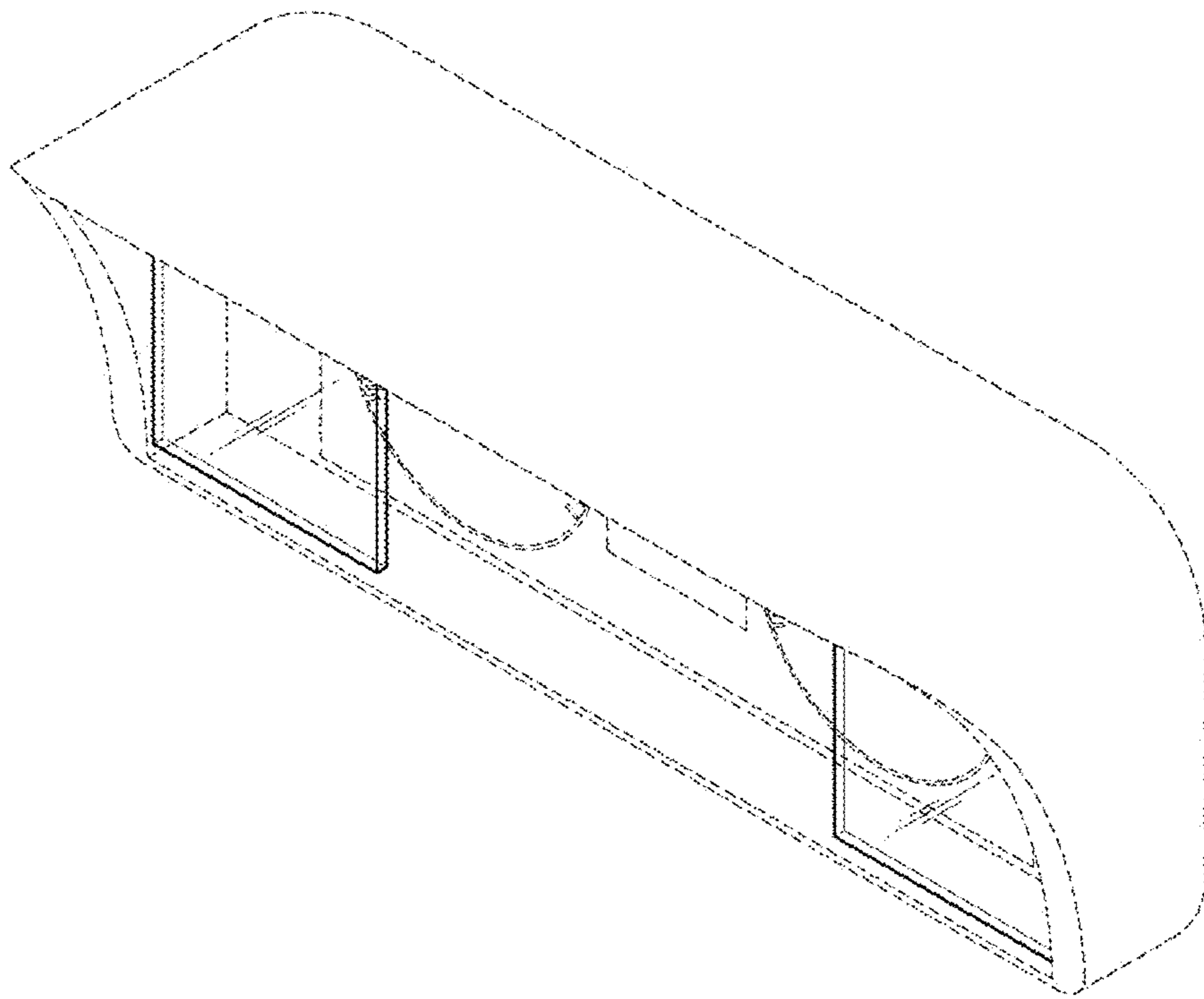


FIG. 15

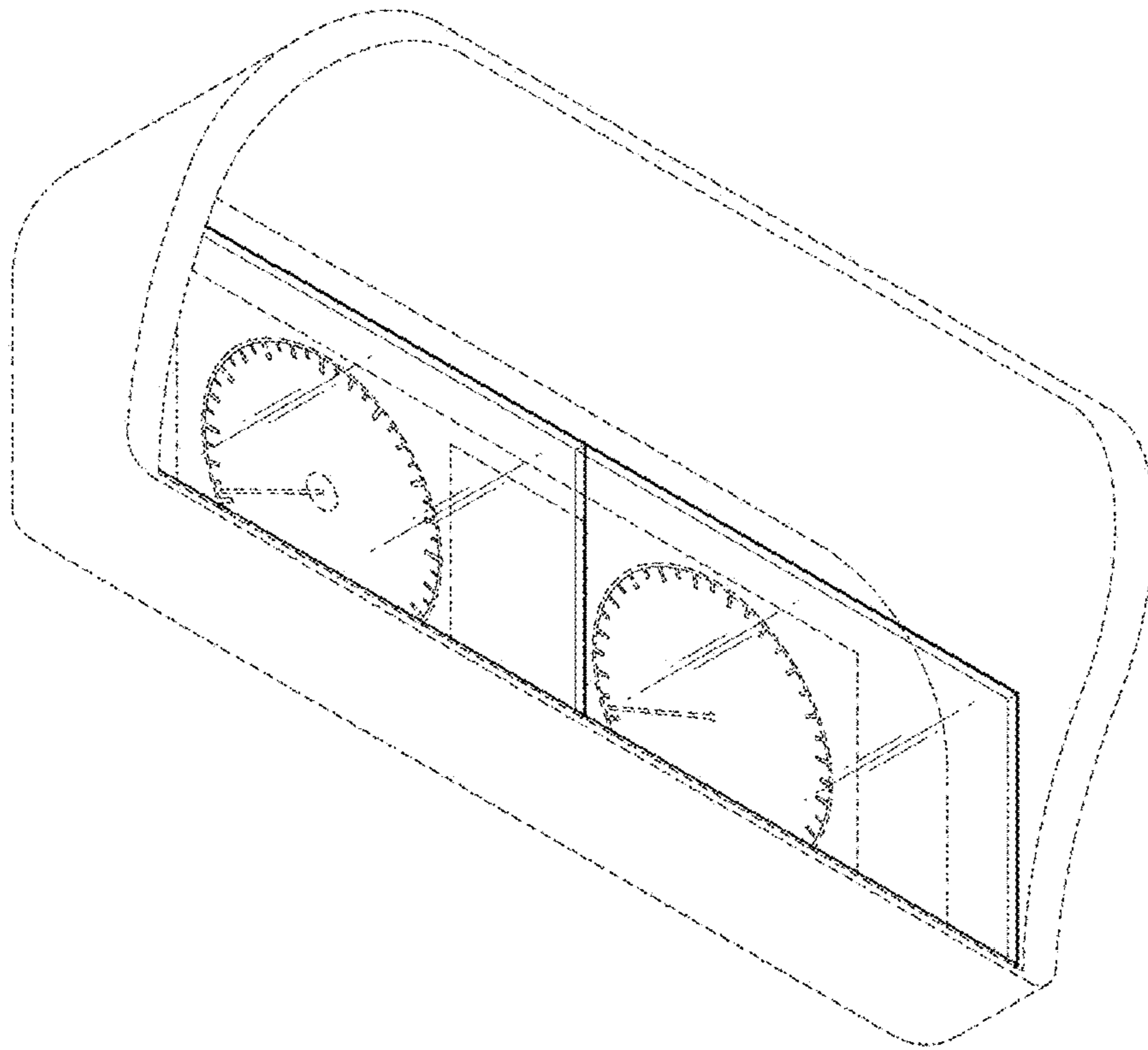


FIG. 16

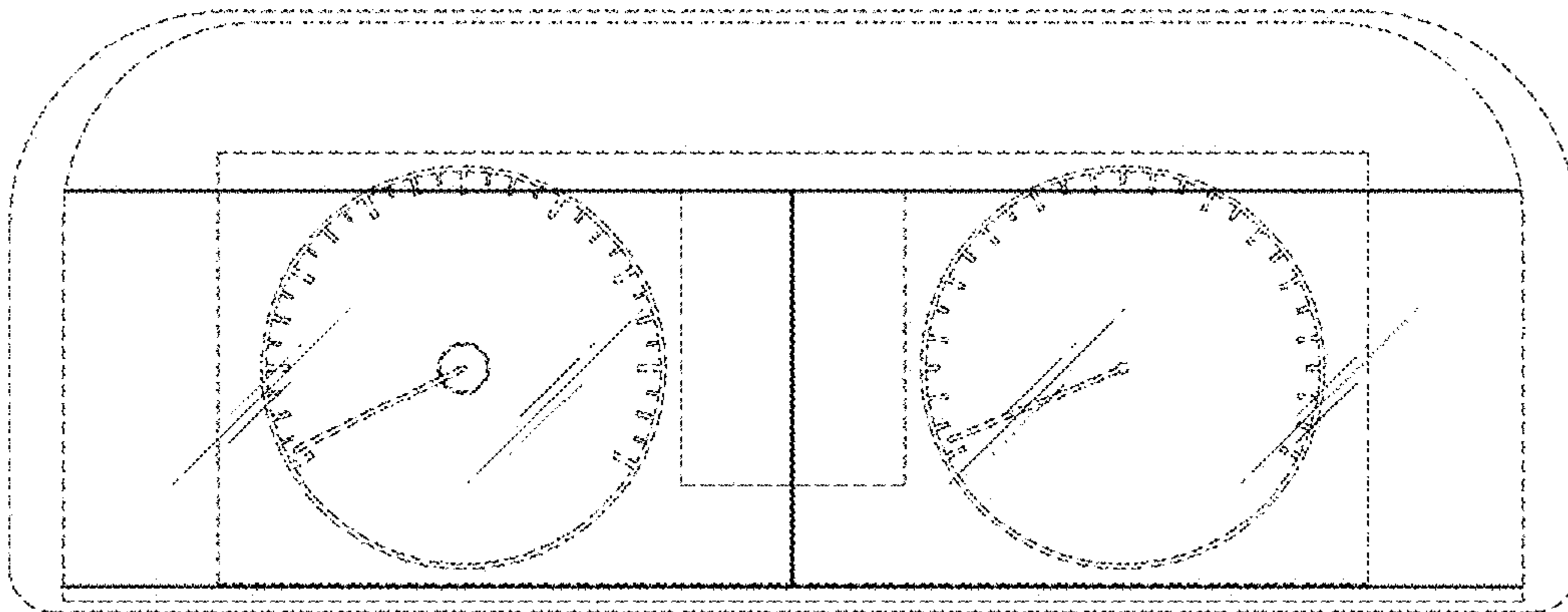


FIG. 17



FIG. 18

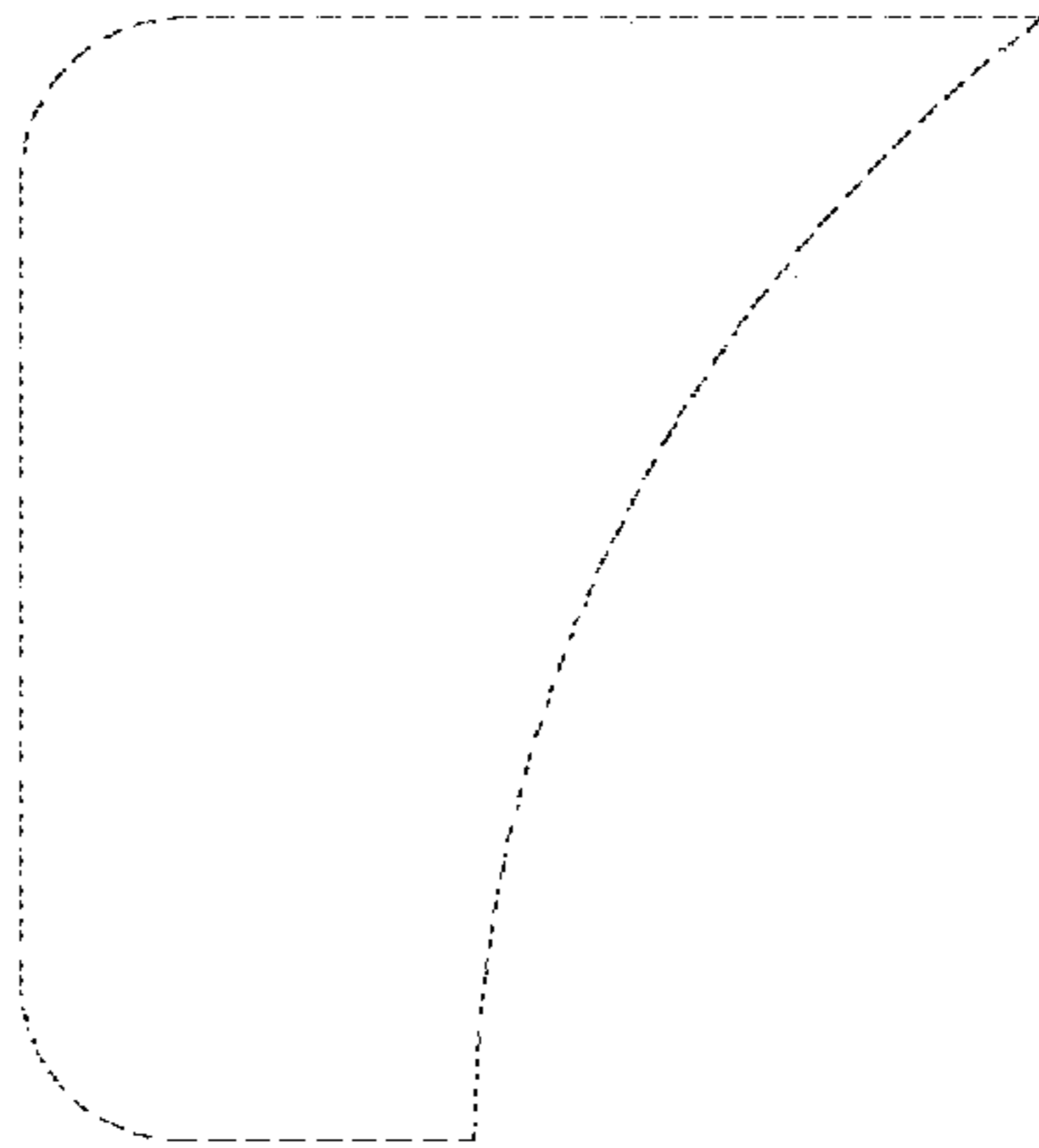


FIG. 19



FIG. 20



FIG. 21

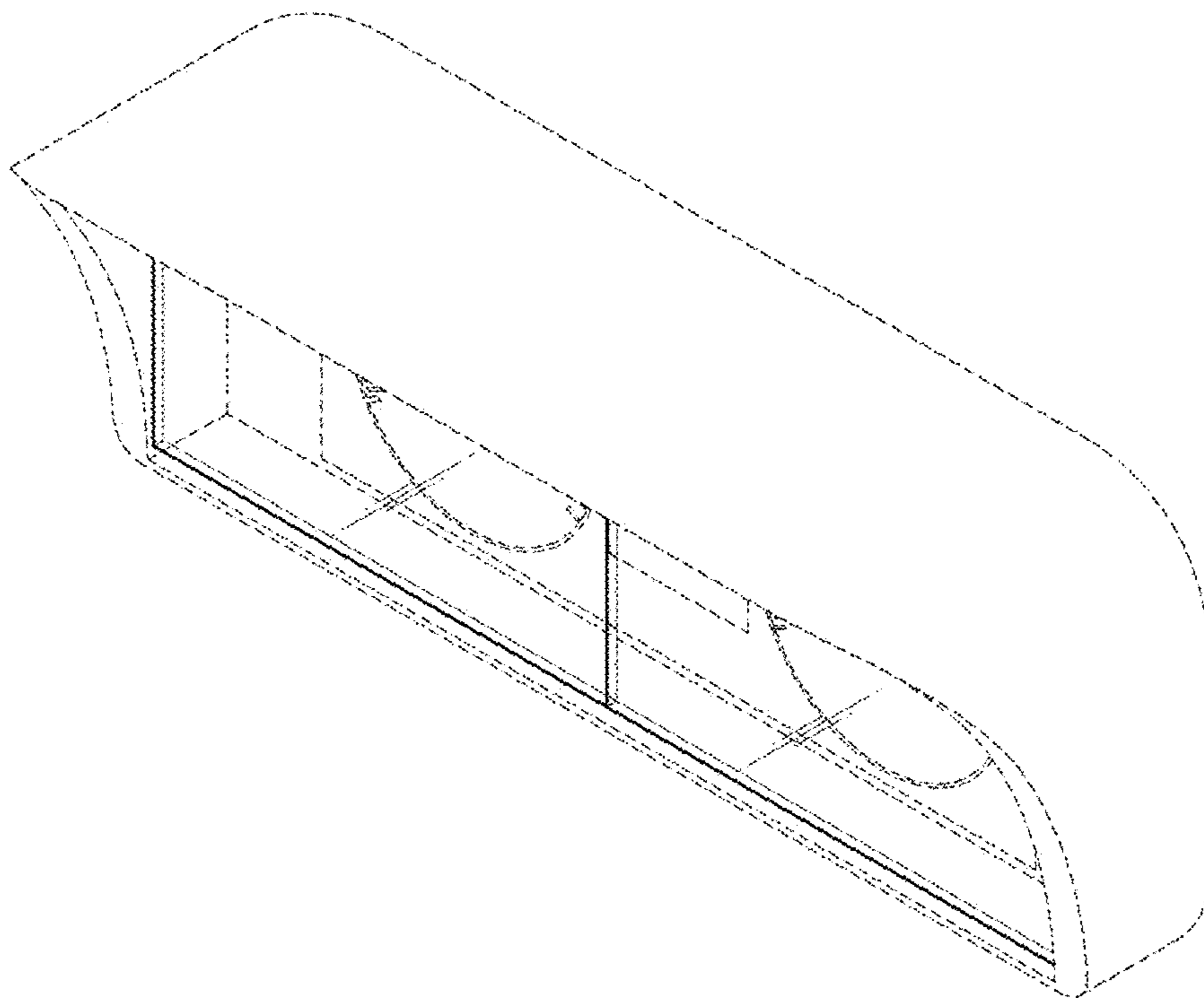


FIG. 22

