



US00D807800S

(12) **United States Design Patent** (10) **Patent No.:** **US D807,800 S**
Wheel (45) **Date of Patent:** **** Jan. 16, 2018**

(54) **FRONT BUMPER**
(71) Applicant: **Jaguar Land Rover Limited**, Whitley, Coventry (GB)
(72) Inventor: **Andrew Wheel**, Coventry (GB)
(73) Assignee: **Jaguar Land Rover Limited**, Whitley, Coventry (GB)

(**) Term: **15 Years**
(21) Appl. No.: **29/587,378**
(22) Filed: **Dec. 13, 2016**

Related U.S. Application Data

(62) Division of application No. 29/527,443, filed on May 19, 2015, now Pat. No. Des. 782,374.

(30) **Foreign Application Priority Data**

Feb. 19, 2015 (EM) 002637587-0002
Feb. 19, 2015 (EM) 002637587-0003

(51) **LOC (11) Cl.** **12-16**

(52) **U.S. Cl.**
USPC **D12/169**

(58) **Field of Classification Search**
USPC D12/169, 216, 90-92, 86, 171, 196, 163;
293/102, 113, 115, 117, 120; 296/180.1,
296/180.2
CPC B60R 19/02; B60R 19/04; B62D 25/08
See application file for complete search history.

(56) **References Cited**

U.S. PATENT DOCUMENTS

D705,706 S * 5/2014 Kawasaki D12/169
D706,171 S * 6/2014 Bischoff D12/91
D716,695 S * 11/2014 Woolley D12/91
D718,188 S * 11/2014 Wheel D12/91

D718,681 S * 12/2014 Allen D12/169
D730,788 S * 6/2015 Howell D12/169
D735,610 S * 8/2015 Wheel D12/91
D736,683 S * 8/2015 Glover D12/169
D747,242 S * 1/2016 Frascella D12/169
D749,468 S * 2/2016 Frascella D12/169
D749,474 S * 2/2016 Battams D12/169
D753,557 S * 4/2016 Frascella D12/169
D782,374 S * 3/2017 Wheel D12/169

* cited by examiner

Primary Examiner — Melody N Brown

(74) *Attorney, Agent, or Firm* — Wood Herron & Evans LLP

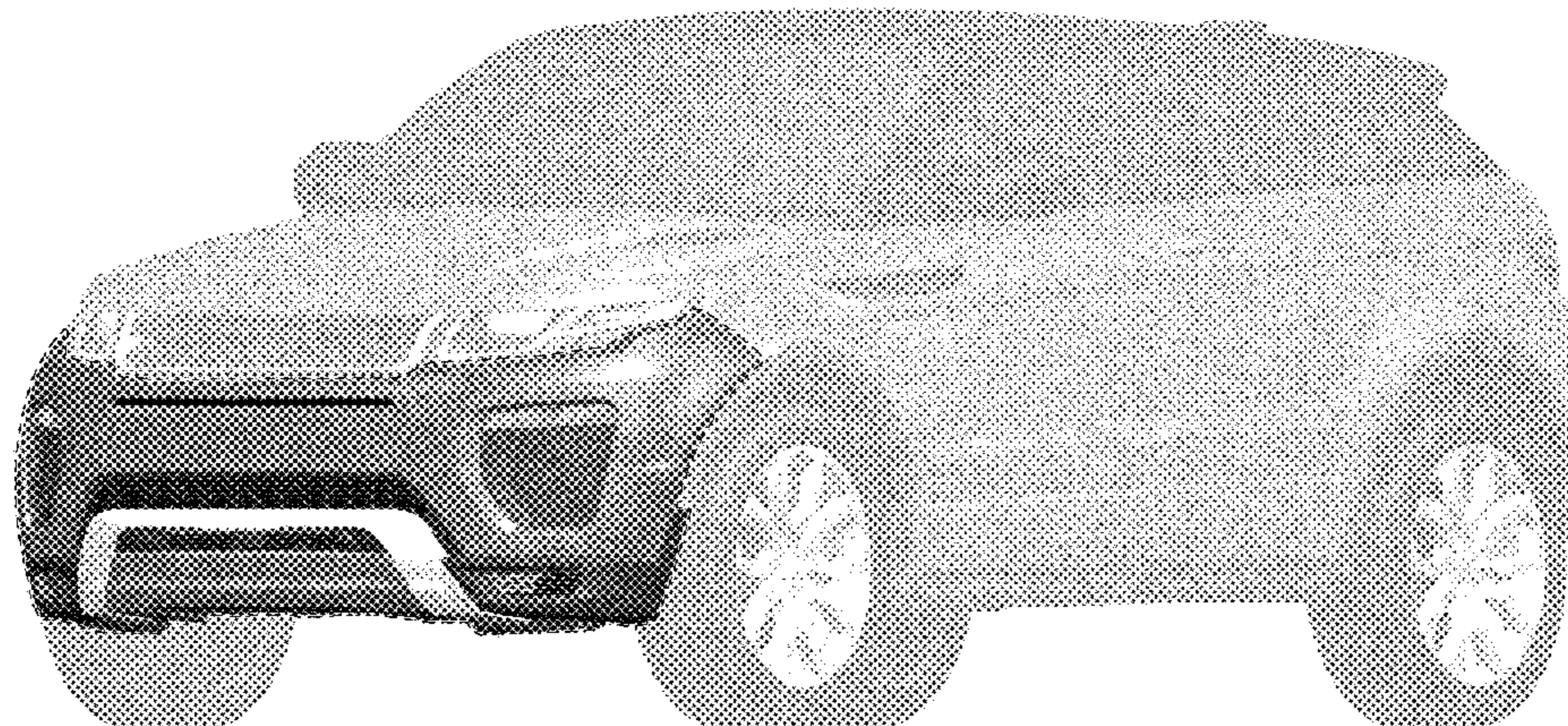
(57) **CLAIM**

The ornamental design for a front bumper, as shown and described.

DESCRIPTION

FIG. 1 is a right, front perspective view of a front bumper showing my new design;
FIG. 2 is a left, rear perspective view of the front bumper shown in FIG. 1.
FIG. 3 is a front view thereof.
FIG. 4 is a rear view thereof.
FIG. 5 is a left side view thereof.
FIG. 6 is a right side view thereof.
FIG. 7 is a top view thereof; and,
FIG. 8 is another right, front perspective view of the front bumper shown in FIG. 1, with the front bumper mounted on a vehicle shown in de-emphasized and half-tone portions so as to illustrate environmental structures for the vehicle front. These portions form no part of the claimed invention. More particularly, in FIG. 8, the front bumper of the present invention is shown within the broken lines and any elements shown outside of the broken lines form no part of the claimed invention, but are instead included to show environmental aspects of the claimed invention.

1 Claim, 7 Drawing Sheets



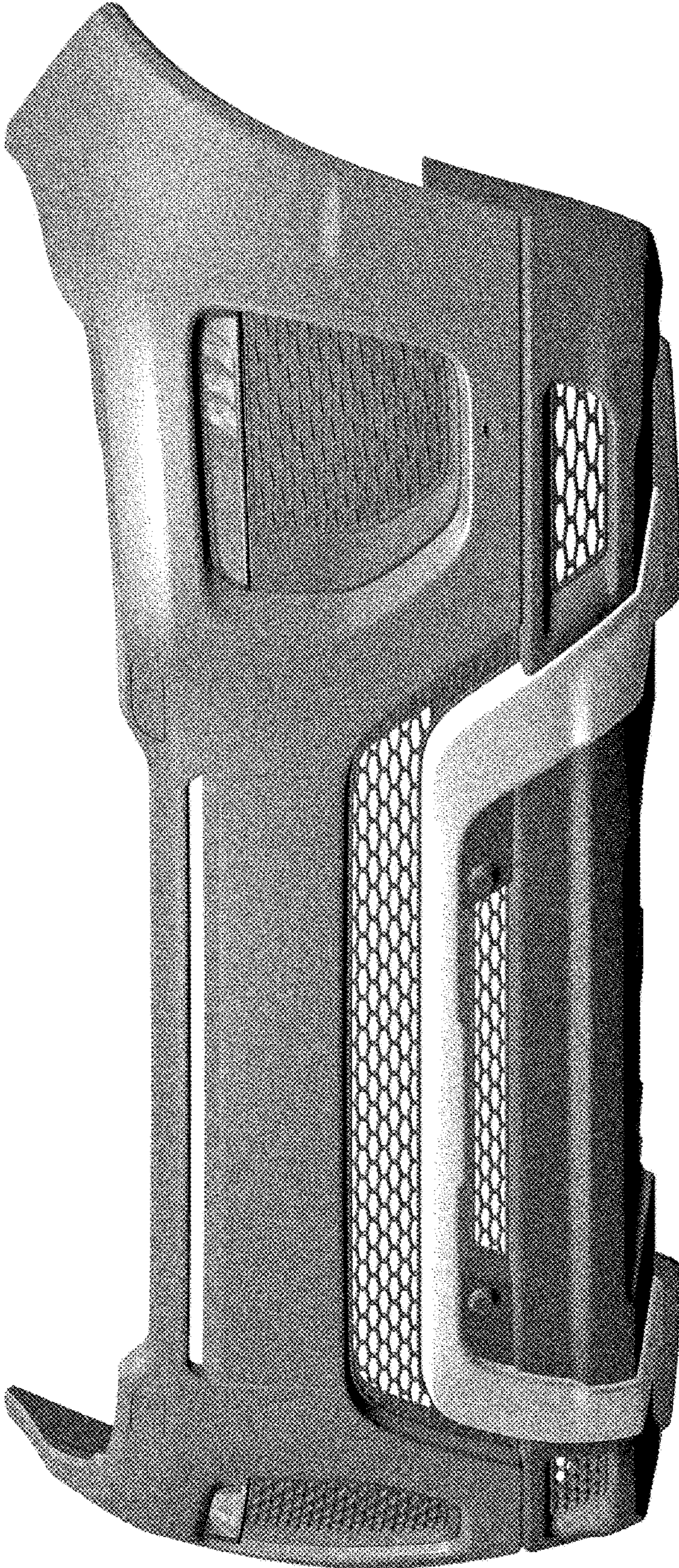


FIG. 1



FIG. 2

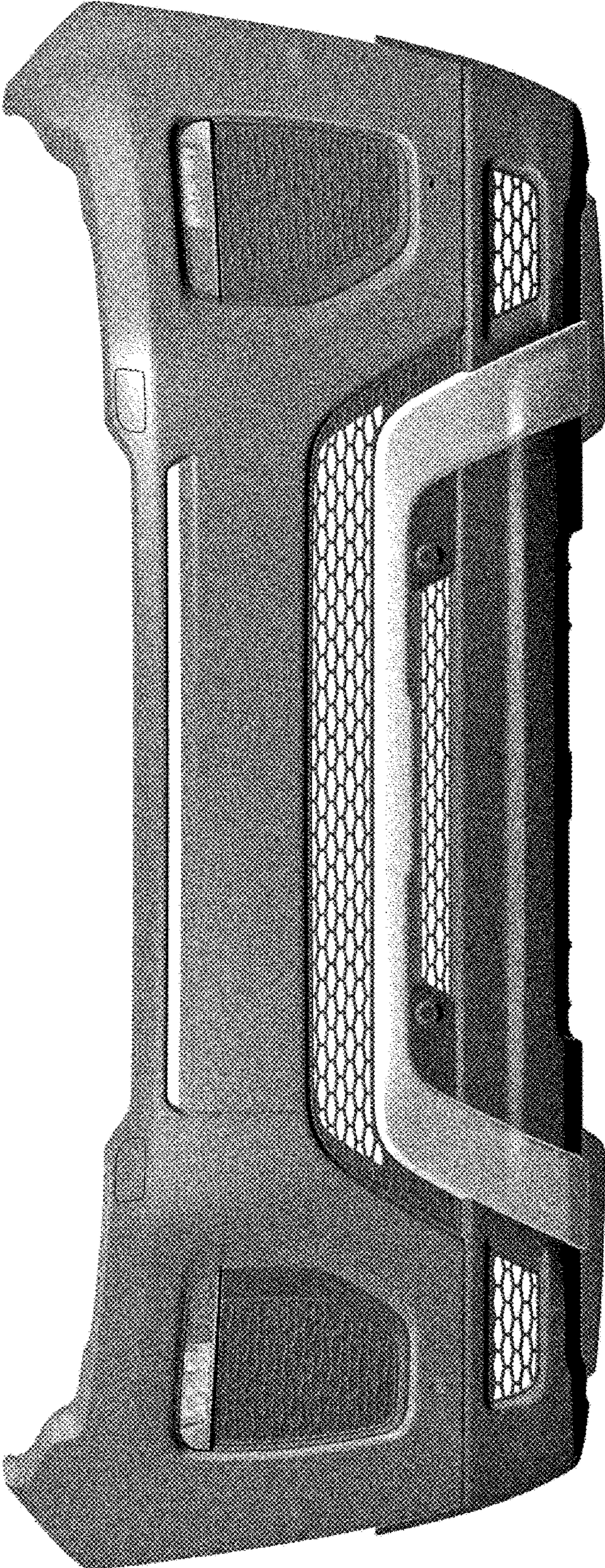


FIG. 3

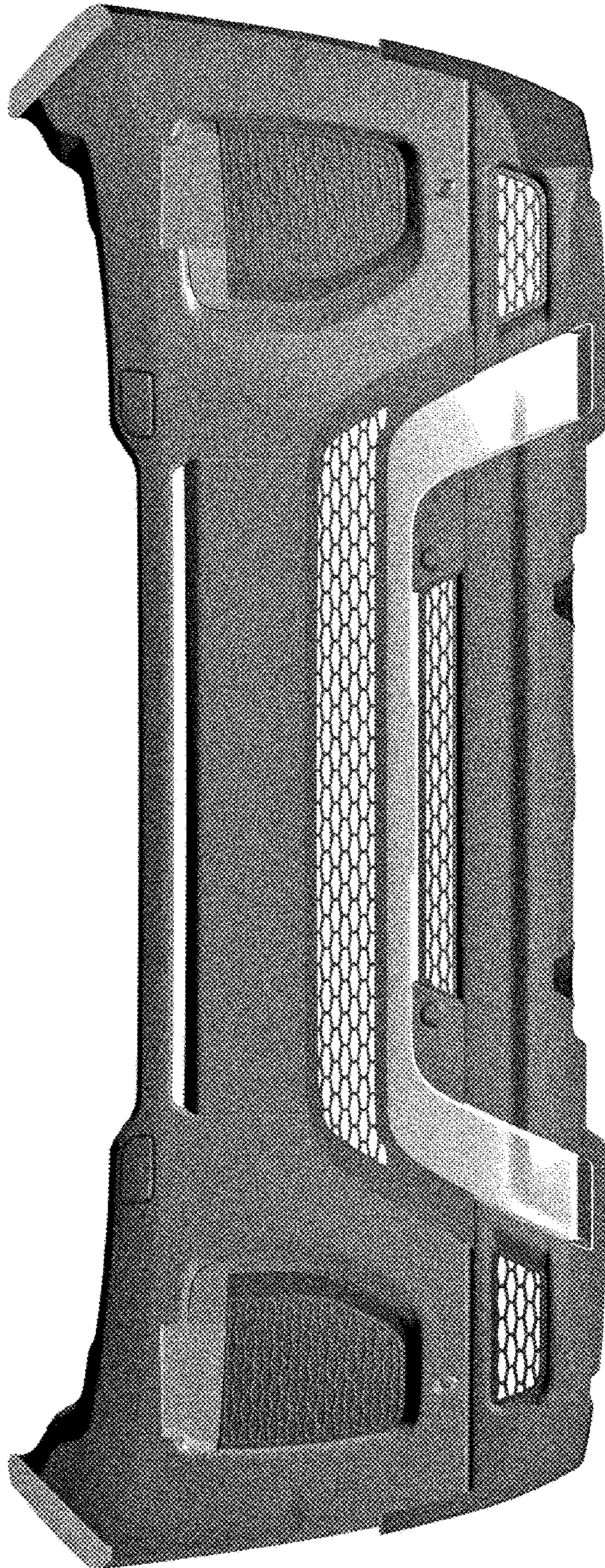


FIG. 4

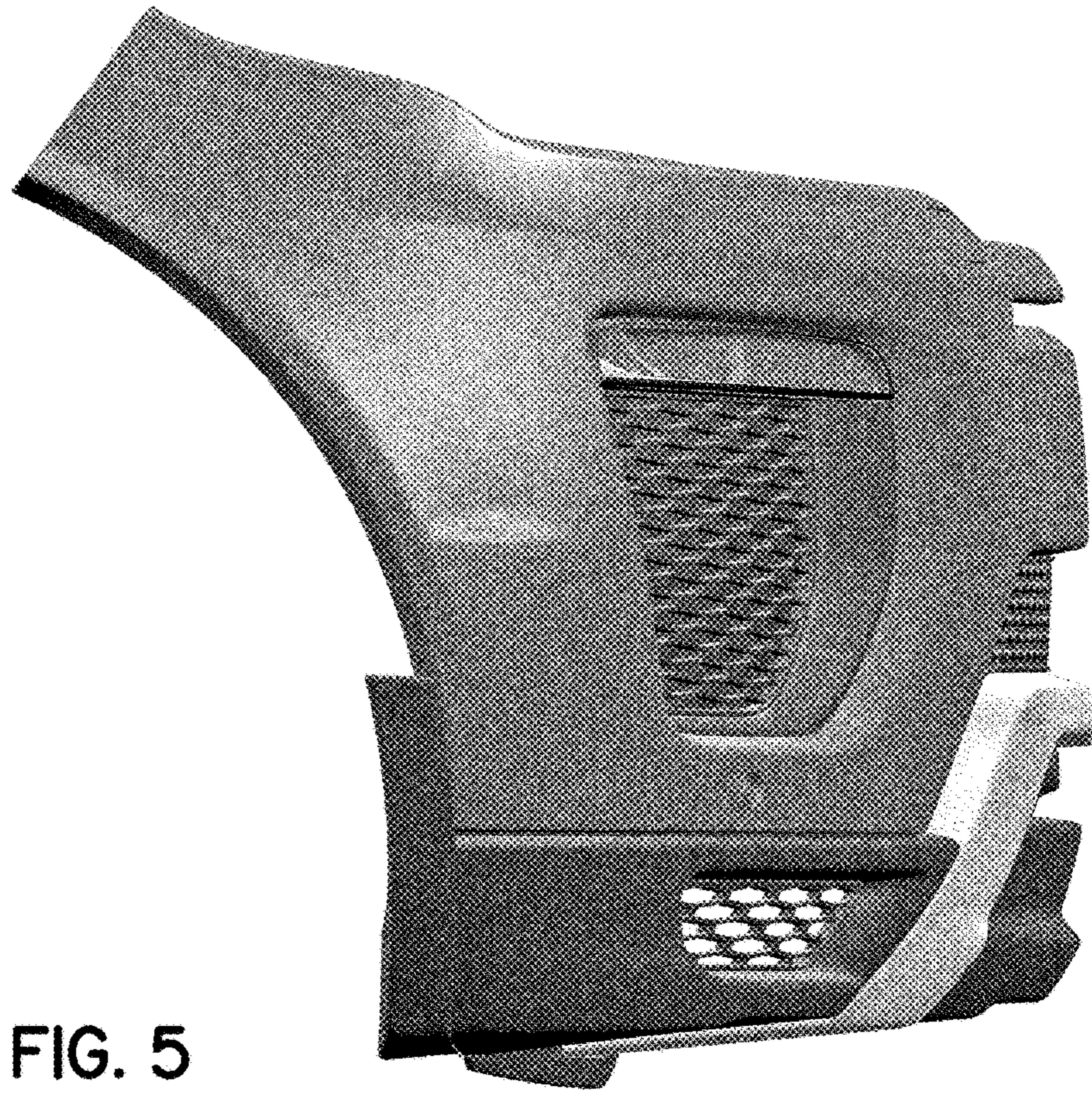


FIG. 5

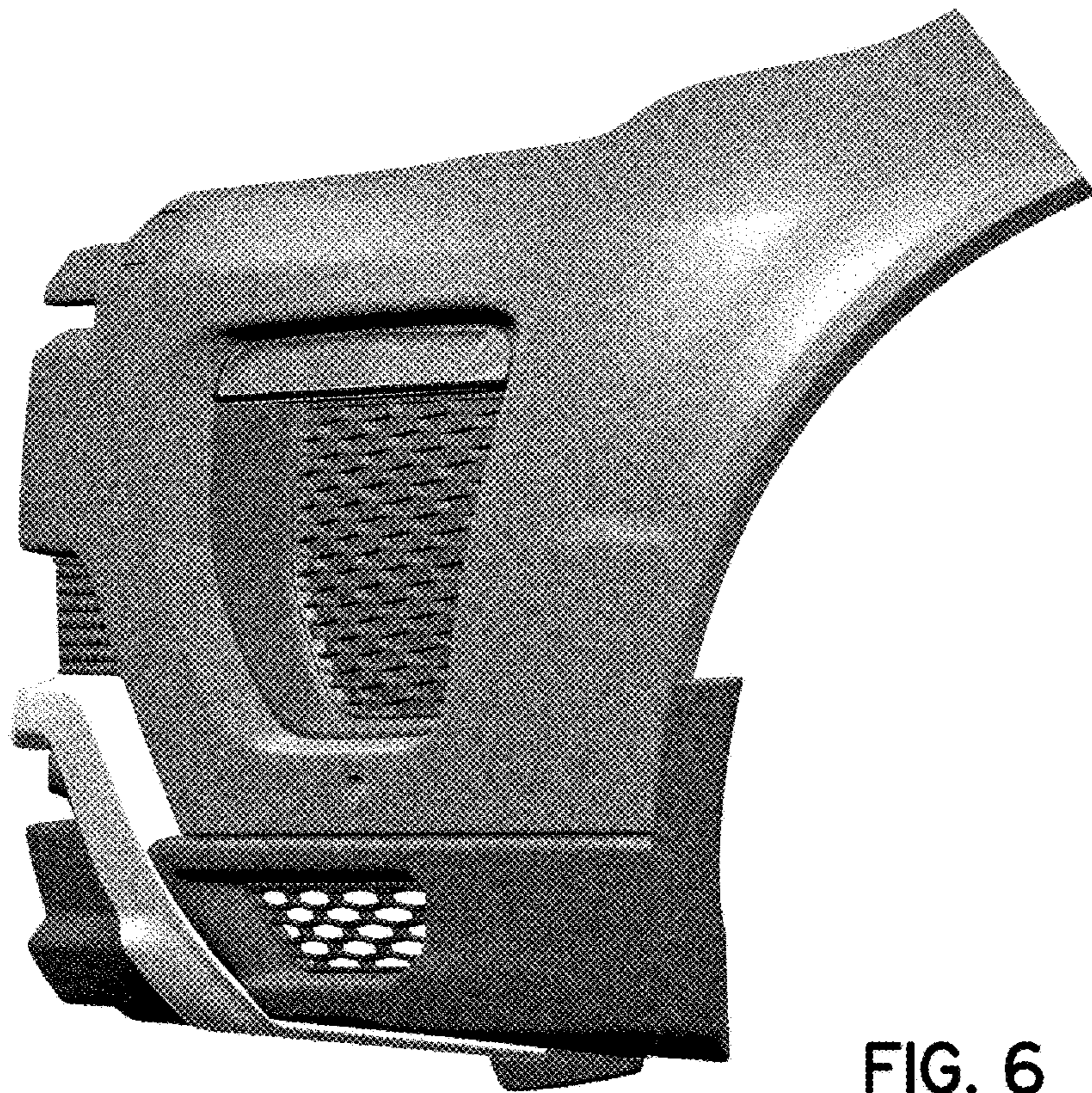


FIG. 6

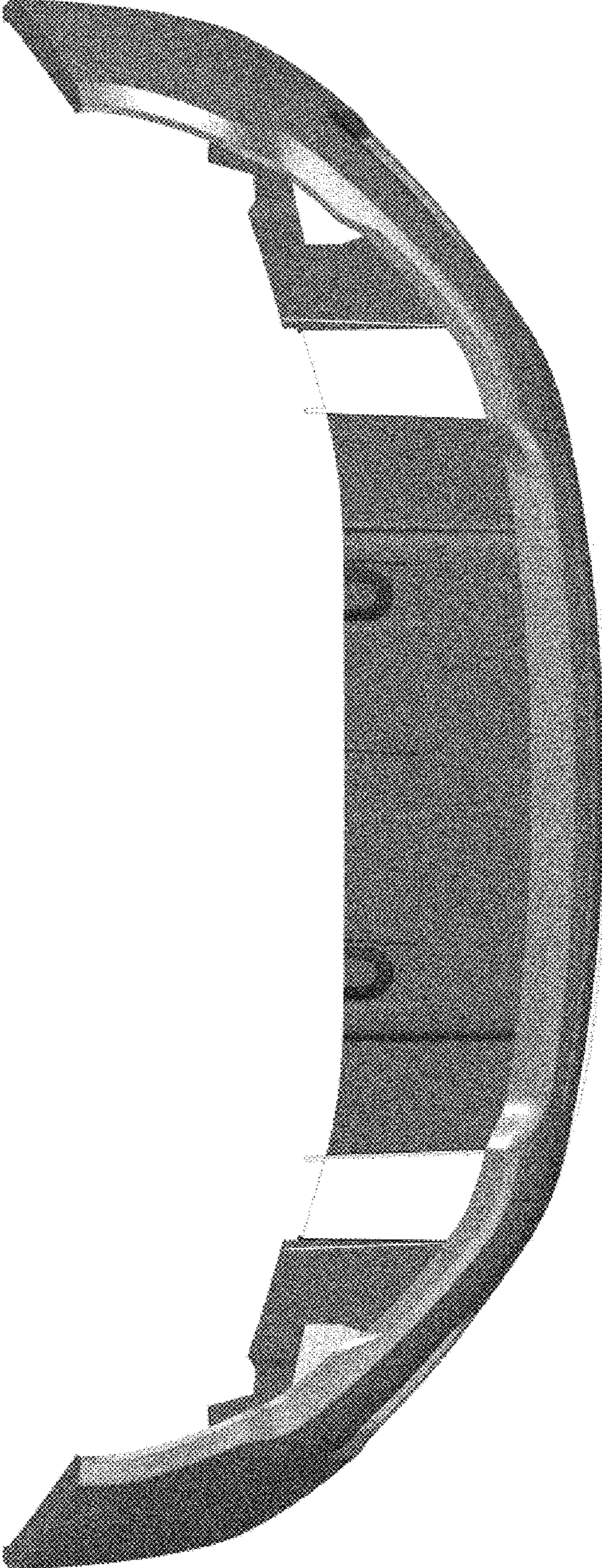


FIG. 7

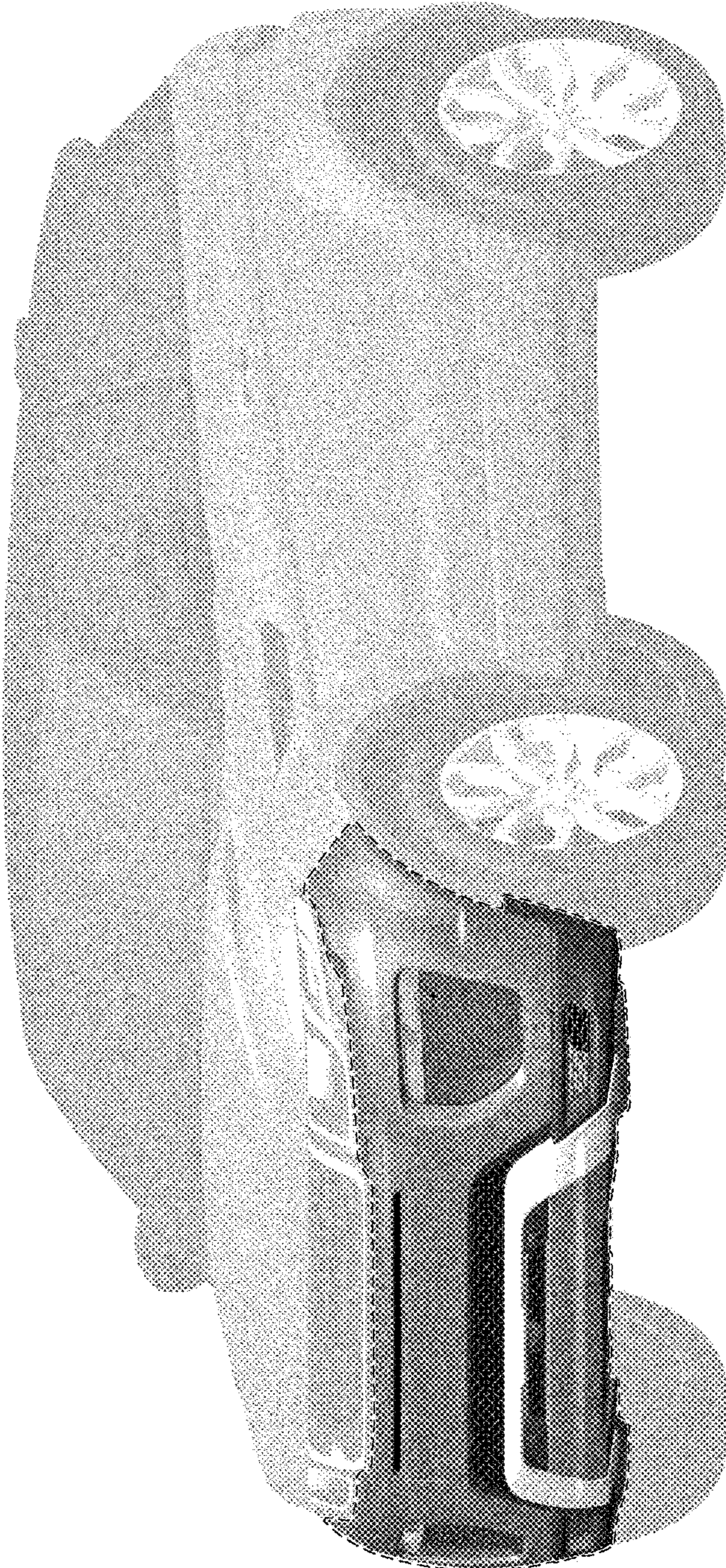


FIG. 8

UNITED STATES PATENT AND TRADEMARK OFFICE
CERTIFICATE OF CORRECTION

PATENT NO. : D807,800 S
APPLICATION NO. : 29/587378
DATED : January 16, 2018
INVENTOR(S) : Andrew Wheel

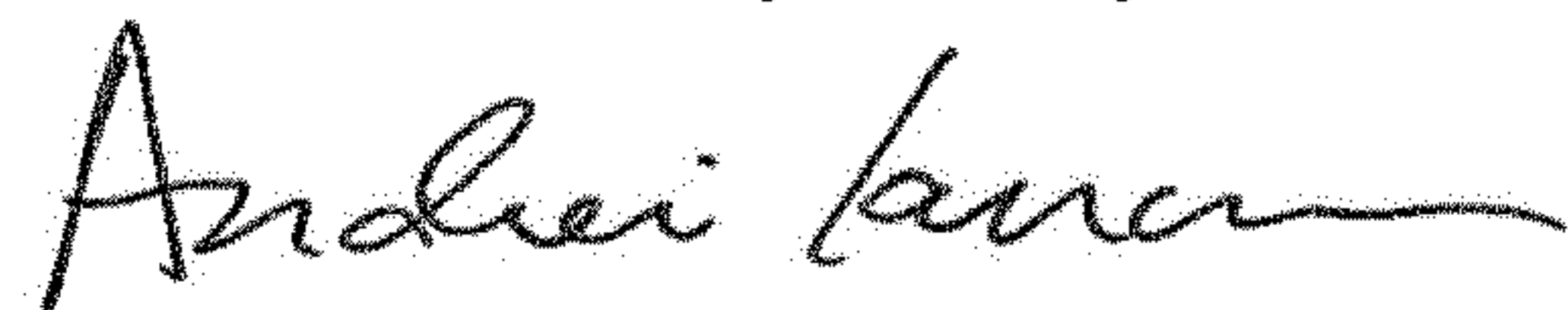
Page 1 of 1

It is certified that error appears in the above-identified patent and that said Letters Patent is hereby corrected as shown below:

On the Title Page

Item [73], delete "... Jaguar Land Rover Limited, ..." and insert --... Jaguar Land Rover Limited, ...--.

Signed and Sealed this
Sixteenth Day of July, 2019



Andrei Iancu
Director of the United States Patent and Trademark Office