



US00D807799S

(12) **United States Design Patent**
Kimura

(10) **Patent No.:** **US D807,799 S**
(45) **Date of Patent:** **** Jan. 16, 2018**

(54) **REAR BUMPER FOR A MOTOR VEHICLE**

(71) Applicant: **Satoshi Kimura**, Nagakute (JP)

(72) Inventor: **Satoshi Kimura**, Nagakute (JP)

(73) Assignee: **Toyota Jidosha Kabushiki Kaisha**,
Toyota-shi, Aichi-ken (JP)

(**) Term: **15 Years**

(21) Appl. No.: **29/582,821**

(22) Filed: **Oct. 31, 2016**

(30) **Foreign Application Priority Data**

Feb. 20, 2015 (JP) 2015-003451
Feb. 20, 2015 (JP) 2015-003452
Feb. 20, 2015 (JP) 2015-003453

(51) **LOC (11) Cl.** **12-08**

(52) **U.S. Cl.**
USPC **D12/169**

(58) **Field of Classification Search**

USPC D12/86-92, 163-172; 293/102-155;
296/35.2, 193.09, 193.1, 203.02
CPC B60R 19/02; B60R 19/023; B60R 19/18;
B60R 19/24; B60R 19/44; B60R 19/48;
B60R 19/56; B60R 2019/527; B60R
2019/1886

See application file for complete search history.

(56) **References Cited**

U.S. PATENT DOCUMENTS

D575,690 S 8/2008 Suzuki
D586,271 S 2/2009 Futschik
D590,308 S 4/2009 Futschik
D633,418 S 3/2011 Frei
D640,613 S 6/2011 Bauer
D653,593 S 2/2012 Nishihama
D663,657 S 7/2012 Frenzel
D668,188 S * 10/2012 Shudo D12/169

D695,162 S 12/2013 Scheinhutte
D695,164 S 12/2013 Futschik
D698,290 S 1/2014 Mori
D718,680 S 12/2014 Galante
D721,306 S 1/2015 George
D724,493 S 3/2015 Kobayashi
D725,009 S 3/2015 Hirai
D725,010 S 3/2015 Takei
D736,125 S 8/2015 Kamiura
D736,126 S 8/2015 Hammoud
D736,127 S 8/2015 Hammoud
D738,271 S * 9/2015 Glover D12/169
D743,855 S 11/2015 Miyazawa

(Continued)

OTHER PUBLICATIONS

“2016 Toyota Camry Hybrid.” carreleasedates2017.com. Sep. 28, 2015. Accessed Aug. 30, 2017. Available online at URL: <https://carreleasedates2017.com/2016-toyota-camry-hybrid/>.*

(Continued)

Primary Examiner — Cathron Brooks
Assistant Examiner — Christian P McLean
(74) *Attorney, Agent, or Firm* — Finnegan, Henderson, Farabow, Garrett & Dunner, L.L.P.

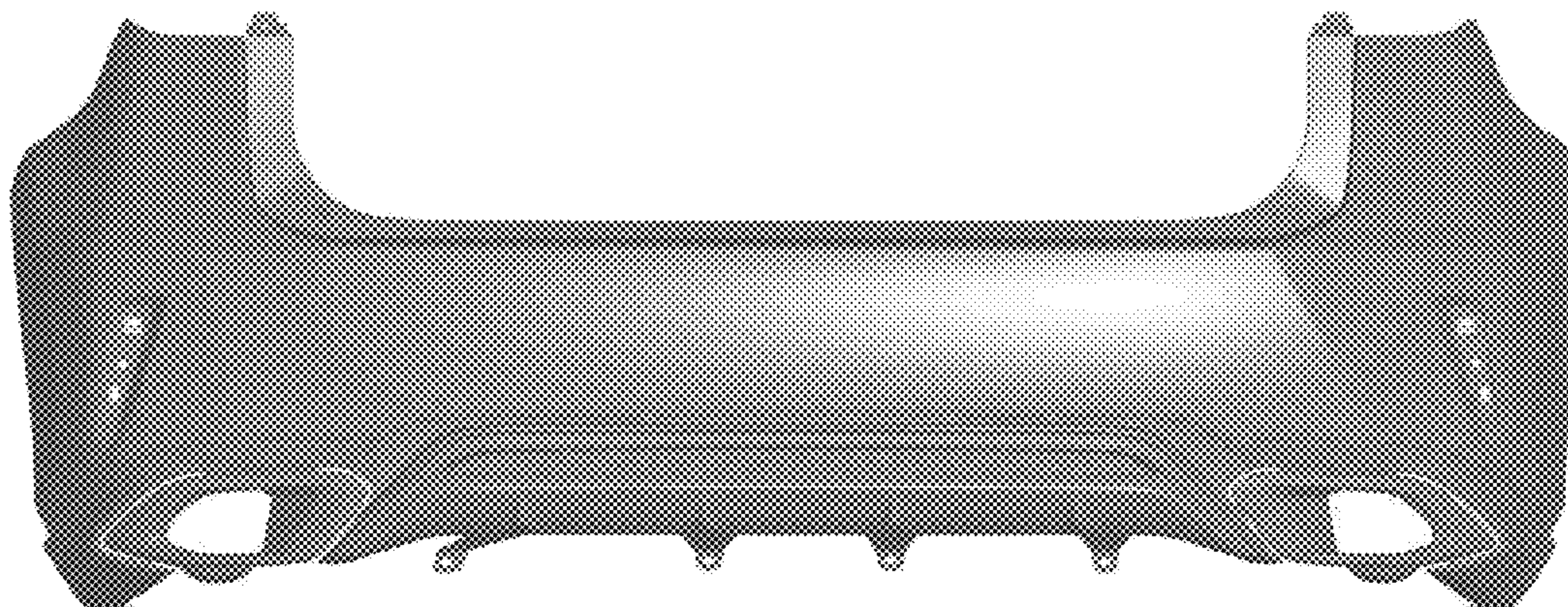
(57) **CLAIM**

The ornamental design for a rear bumper for a motor vehicle, as shown and described.

DESCRIPTION

FIG. 1 is a front perspective view of a rear bumper for a motor vehicle showing my new design;
FIG. 2 is a front view thereof;
FIG. 3 is a rear view thereof;
FIG. 4 is a right side view thereof;
FIG. 5 is a left side view thereof;
FIG. 6 is a top plan view thereof; and,
FIG. 7 is a bottom plan view thereof.

1 Claim, 7 Drawing Sheets



(56)

References Cited

U.S. PATENT DOCUMENTS

D749,475 S *	2/2016	Battams	D12/169
D751,463 S	3/2016	Futschik	
D764,986 S *	8/2016	Faghihzadeh	D12/169
D766,787 S *	9/2016	Lesnik	D12/169
D773,351 S *	12/2016	Munakata	D12/169
D773,353 S *	12/2016	Munakata	D12/169
9,527,535 B1 *	12/2016	Cha	B62D 35/007
D780,077 S *	2/2017	Kim	D12/169
D782,373 S *	3/2017	Curic	D12/169
D792,291 S *	7/2017	Suga	D12/169
D792,810 S *	7/2017	Kim	D12/92
D794,518 S *	8/2017	Henstridge	D12/169

OTHER PUBLICATIONS

Netcarshow.com; URL: <http://www.netcarshow.com/lexus/2015-rc/>; Model: Lexus RC (2015); Mfg.: Lexus; available on at least Apr. 8, 2014.

Netcarshow.com; URL: <http://www.netcarshow.com/mercedes-benz/2013-glk-class/>; Model: Mercedes-Benz GLK (2013); Mfg.: Mercedes-Benz; available on at least Apr. 8, 2014.

netcarshow.com; URL: http://www.netcarshow.com/peugeot/2012-urban_crossover_concept/; Model: Peugeot Urban Crossover Concept; Mfg: Peugeot; available on at least Apr. 8, 2014.

Netcarshow.com; URL: http://www.netcarshow.com/lexus/2015-rc_f_sport/; Model: Lexus RC F Sport (2015); Mfg.: Lexus; available on at least May 28, 2014.

Netcarshow.com; URL: <http://www.netcarshow.com/mercedes-benz/2015-gla-class/>; Model: Mercedes-Benz GLA (2015); Mfg.: Mercedes-Benz; available on at least May 28, 2014.

netcarshow.com; URL: http://www.netcarshow.com/nissan/2013-resonance_concept/; Model: Nissan Resonance Concept; Mfg: Nissan; available on at least May 28, 2014.

Netcarshow.com; URL: <http://www.netcarshow.com/lexus/2014-is/>; Model: Lexus IS (2014); Mfg.: Lexus; May 28, 2014.

Netcarshow.com; URL: http://www.netcarshow.com/honda/2013-urban_suv_concept/; Model: Honda Urban SUV Concept (2013); Mfg.: Honda; available on at least May 28, 2014.

* cited by examiner

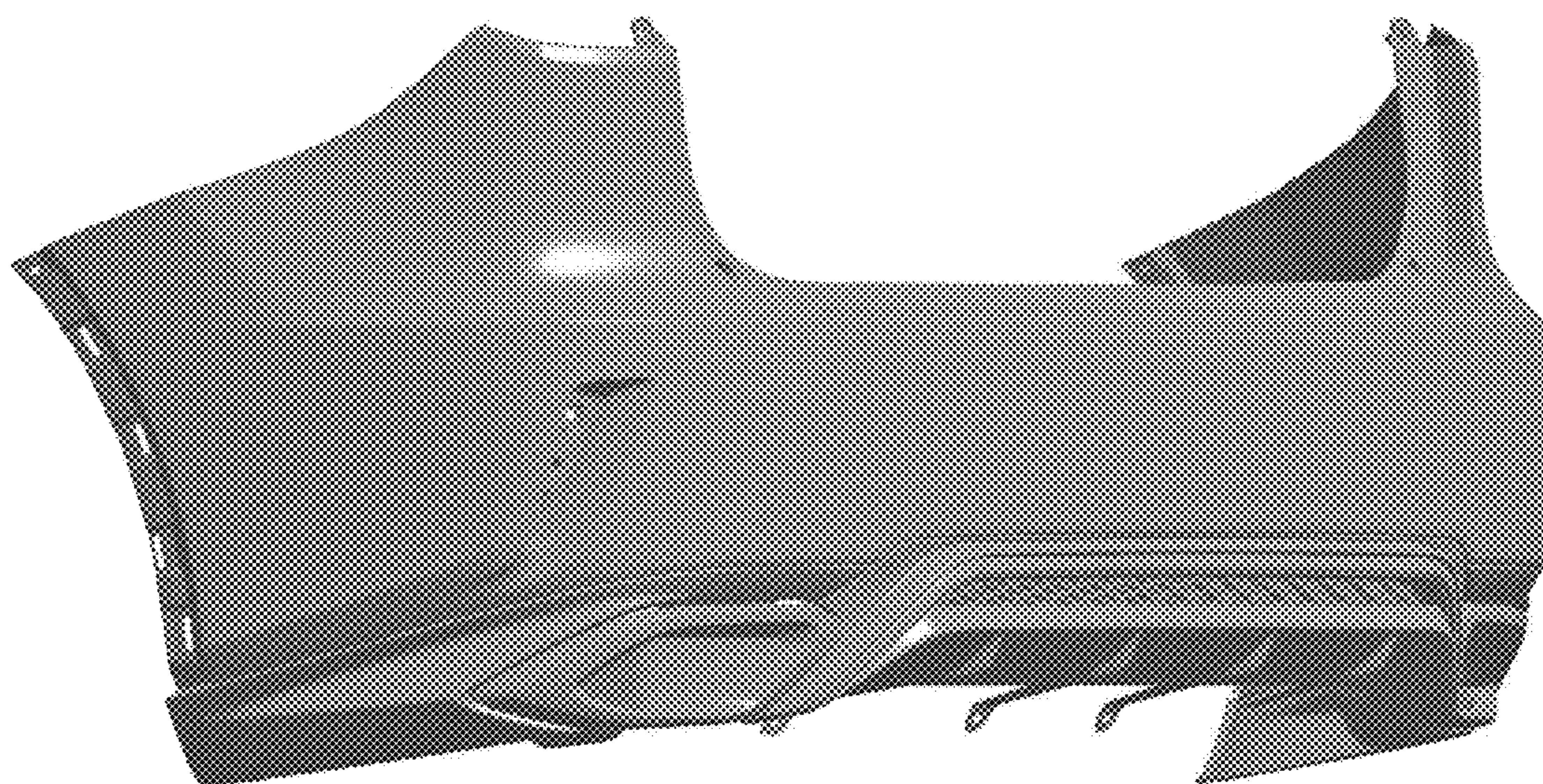


FIG. 1

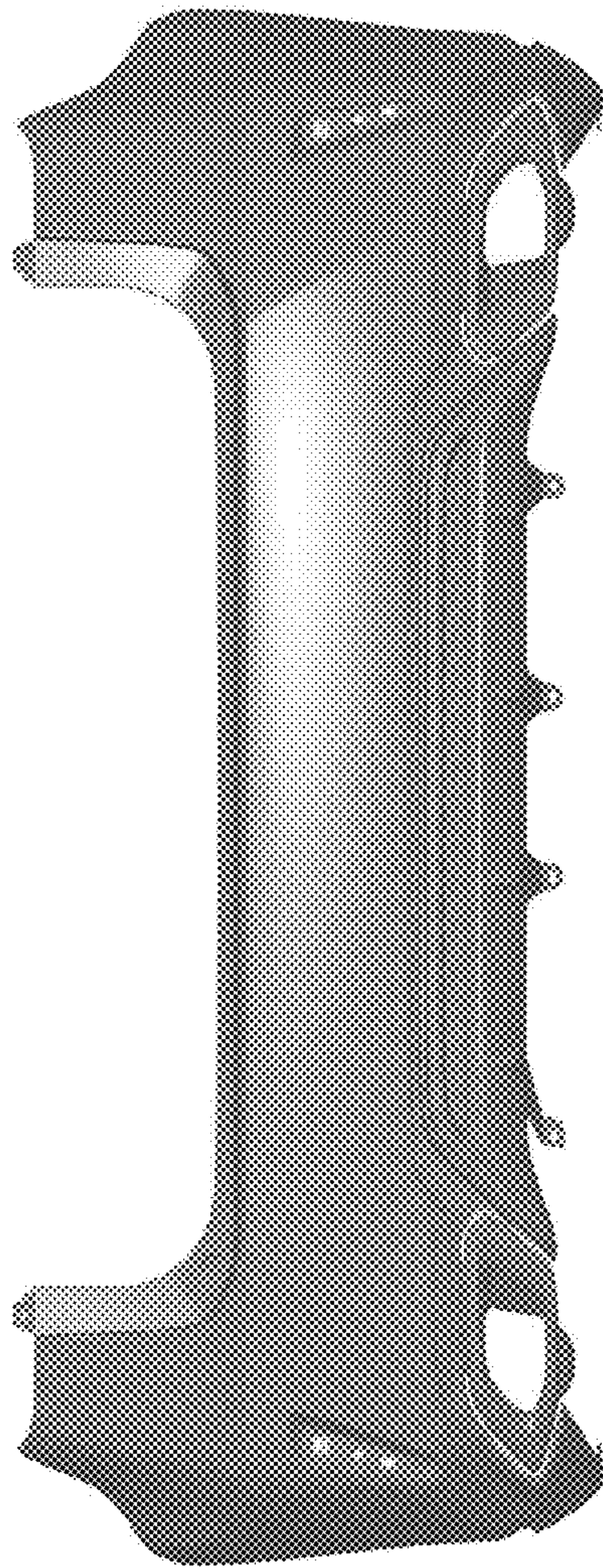


FIG. 2

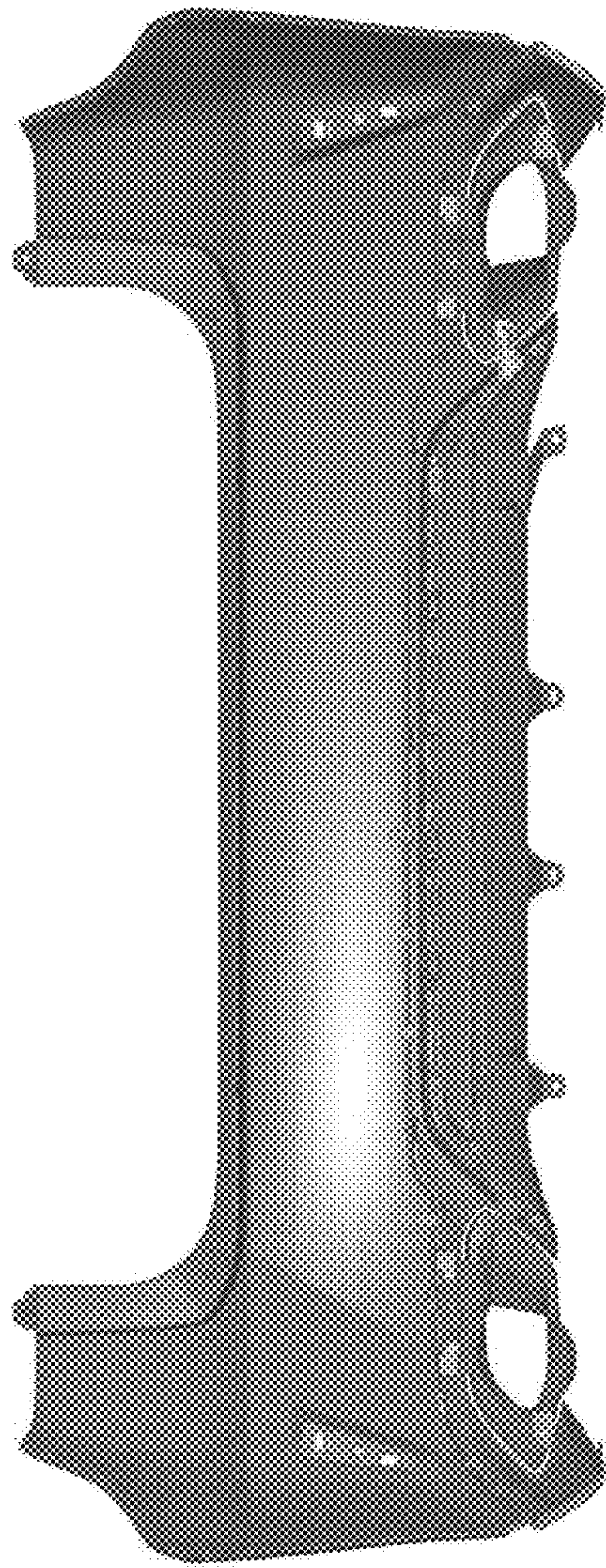


FIG. 3

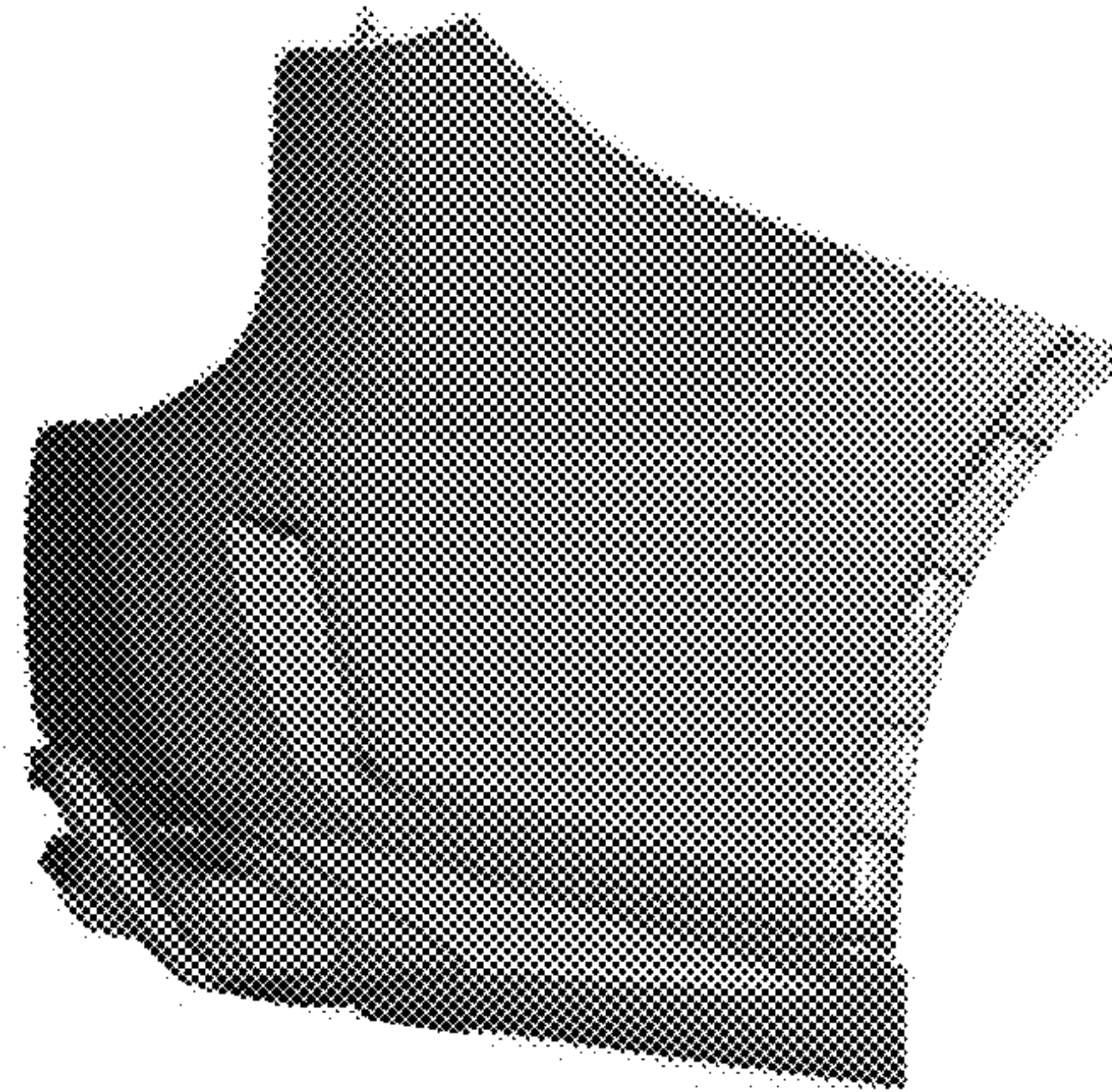


FIG. 4

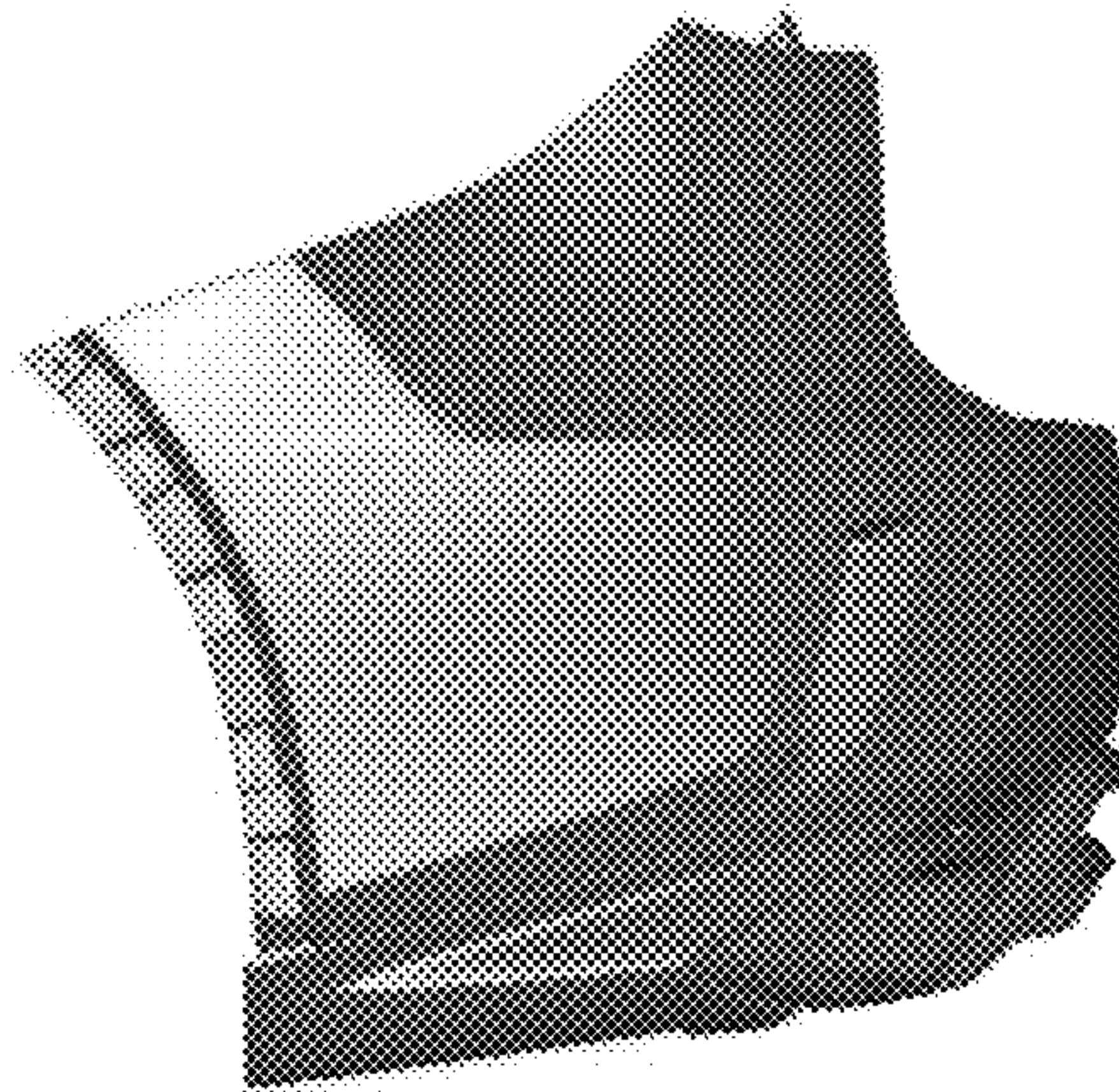


FIG. 5

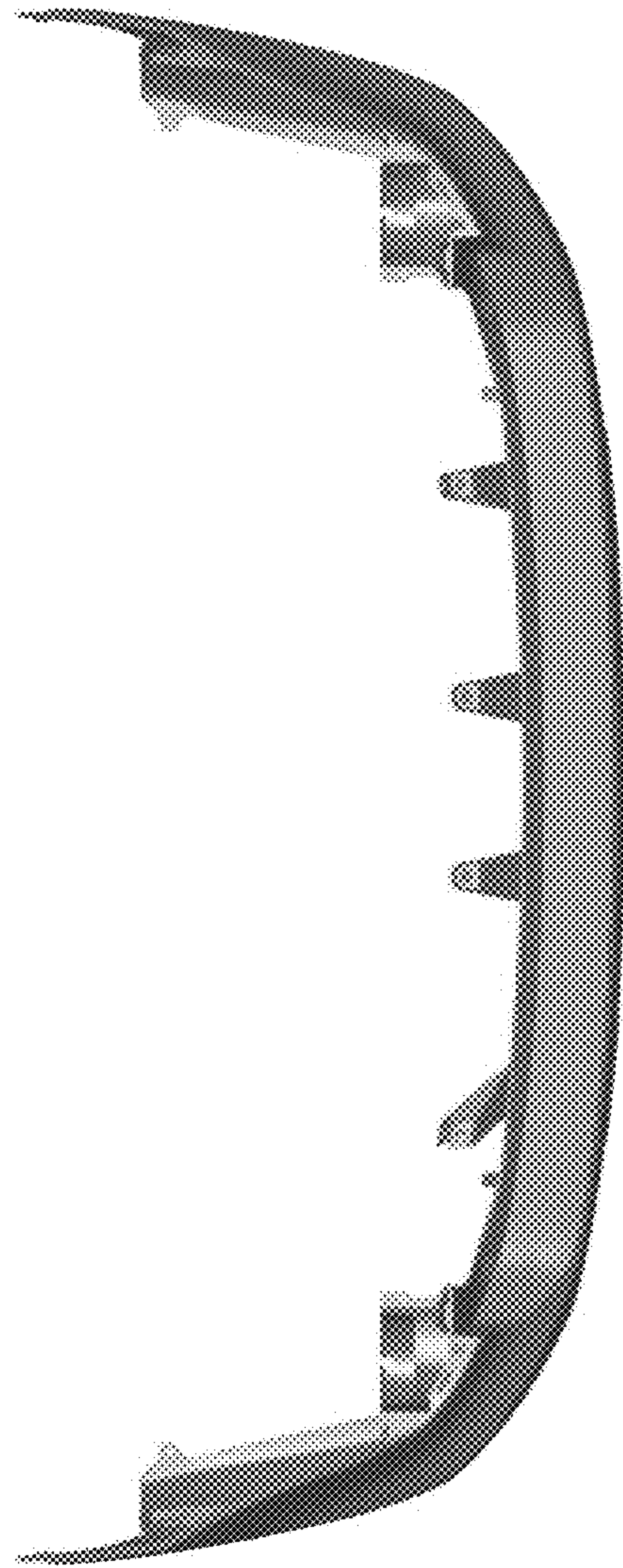


FIG. 6

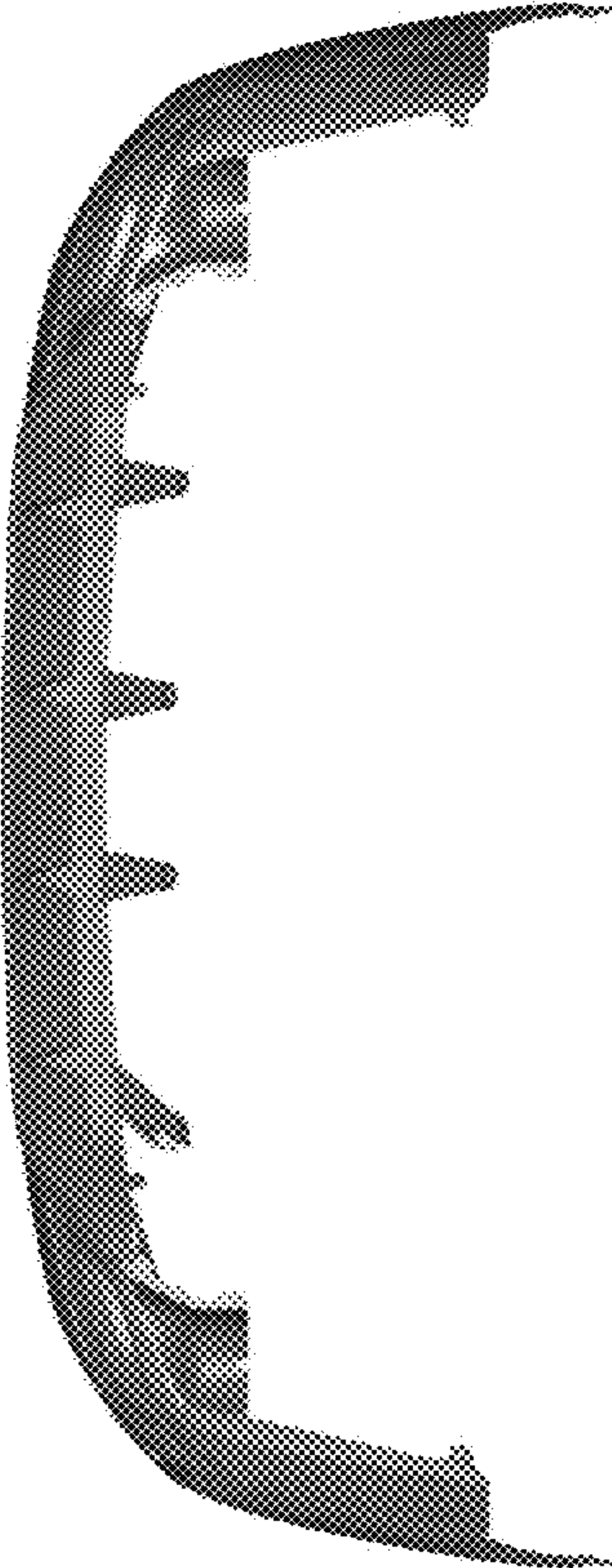


FIG. 7

UNITED STATES PATENT AND TRADEMARK OFFICE
CERTIFICATE OF CORRECTION

PATENT NO. : D807,799 S
APPLICATION NO. : 29/582821
DATED : January 16, 2018
INVENTOR(S) : Satoshi Kimura

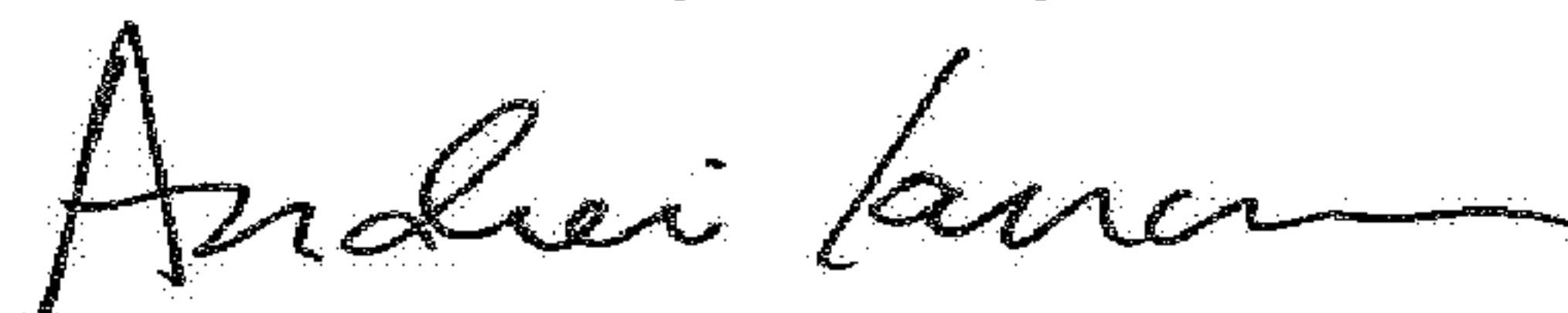
Page 1 of 2

It is certified that error appears in the above-identified patent and that said Letters Patent is hereby corrected as shown below:

In the Drawings

Please replace Fig. 7 with new Fig. 7 attached.

Signed and Sealed this
Third Day of July, 2018



Andrei Iancu
Director of the United States Patent and Trademark Office

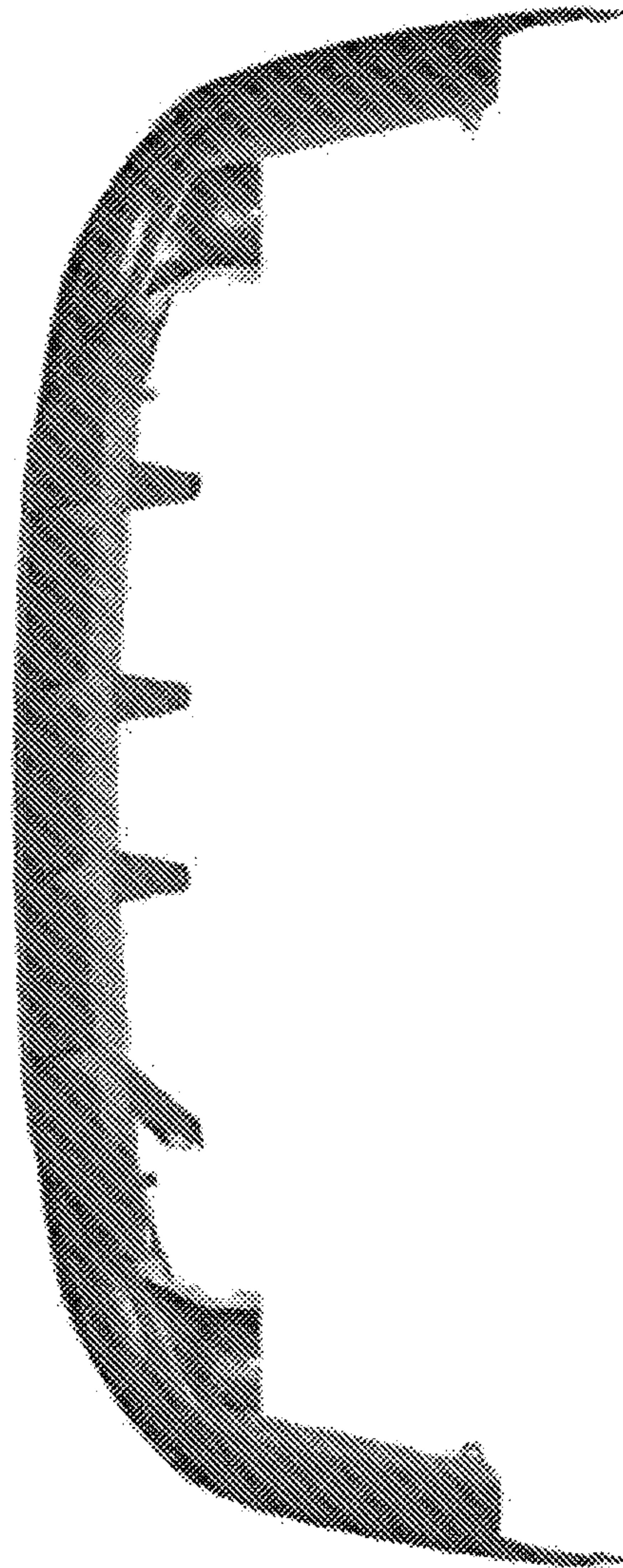


FIG. 7