



US00D807796S

(12) **United States Design Patent**  
**Noble**

(10) **Patent No.:** **US D807,796 S**  
(45) **Date of Patent:** **\*\* Jan. 16, 2018**

(54) **LOAD CUSHION**

FOREIGN PATENT DOCUMENTS

(71) Applicant: **Hendrickson USA, L.L.C.**, Itasca, IL  
(US)

FR 2409348 6/1979  
GB 808978 2/1959  
JP 2005-280514 10/2005

(72) Inventor: **Shawn D. Noble**, Naperville, IL (US)

OTHER PUBLICATIONS

(73) Assignee: **Hendrickson USA, L.L.C.**, Itasca, IL  
(US)

Noble et al., U.S. Appl. No. 14/500,106, filed Sep. 29, 2014, 58 pages.

(\*\*) Term: **15 Years**

(Continued)

(21) Appl. No.: **29/558,499**

*Primary Examiner* — Barbara Fox

*Assistant Examiner* — Messina L Smith

(22) Filed: **Mar. 18, 2016**

(74) *Attorney, Agent, or Firm* — McDonnell Boehnen  
Hulbert & Berghoff LLP

(51) **LOC (11) Cl.** ..... **12-16**

(57) **CLAIM**

(52) **U.S. Cl.**  
USPC ..... **D12/160**

The ornamental design for a load cushion, as shown and described.

(58) **Field of Classification Search**

**DESCRIPTION**

USPC ..... D12/87–88, 93, 159–161, 400–401, 406,  
D12/412, 414, 414.1; D21/459, 465–466,  
D21/484, 487–488; D11/1, 86  
CPC .. B60R 9/00; B60R 9/06; B60R 3/005; B60R  
13/00; Y10T 70/7638; Y10T 70/7655;  
Y10T 70/7667; F16F 9/3242; F16F  
9/0218; F16F 9/0227; F16F 9/3221; F16F  
9/3235; B60G 11/22; B60G 2204/125;  
B60G 2204/41; B60G 2202/143; B60G  
2202/142; B60G 2202/14; B60P 3/40  
See application file for complete search history.

FIG. 1 is a perspective bottom and right side view of a second embodiment of a load cushion having the inventive design;  
FIG. 2 is a perspective top and left side view of the load cushion shown in FIG. 1;  
FIG. 3 is a right side view of the load cushion shown in FIG. 1;  
FIG. 4 is a left side view of the load cushion shown in FIG. 1;  
FIG. 5 is a bottom side view of the load cushion shown in FIG. 1;  
FIG. 6 is a top view of the load cushion shown in FIG. 1;  
FIG. 7 is a front view of the load cushion shown in FIG. 1;  
and,  
FIG. 8 is a rear view of the load cushion shown in FIG. 1.  
The broken lines in the drawings are for the purpose of illustrating portions of the load cushion that form no part of the claimed design. Portions of the load cushion shown in broken lines form no part of the claimed design.

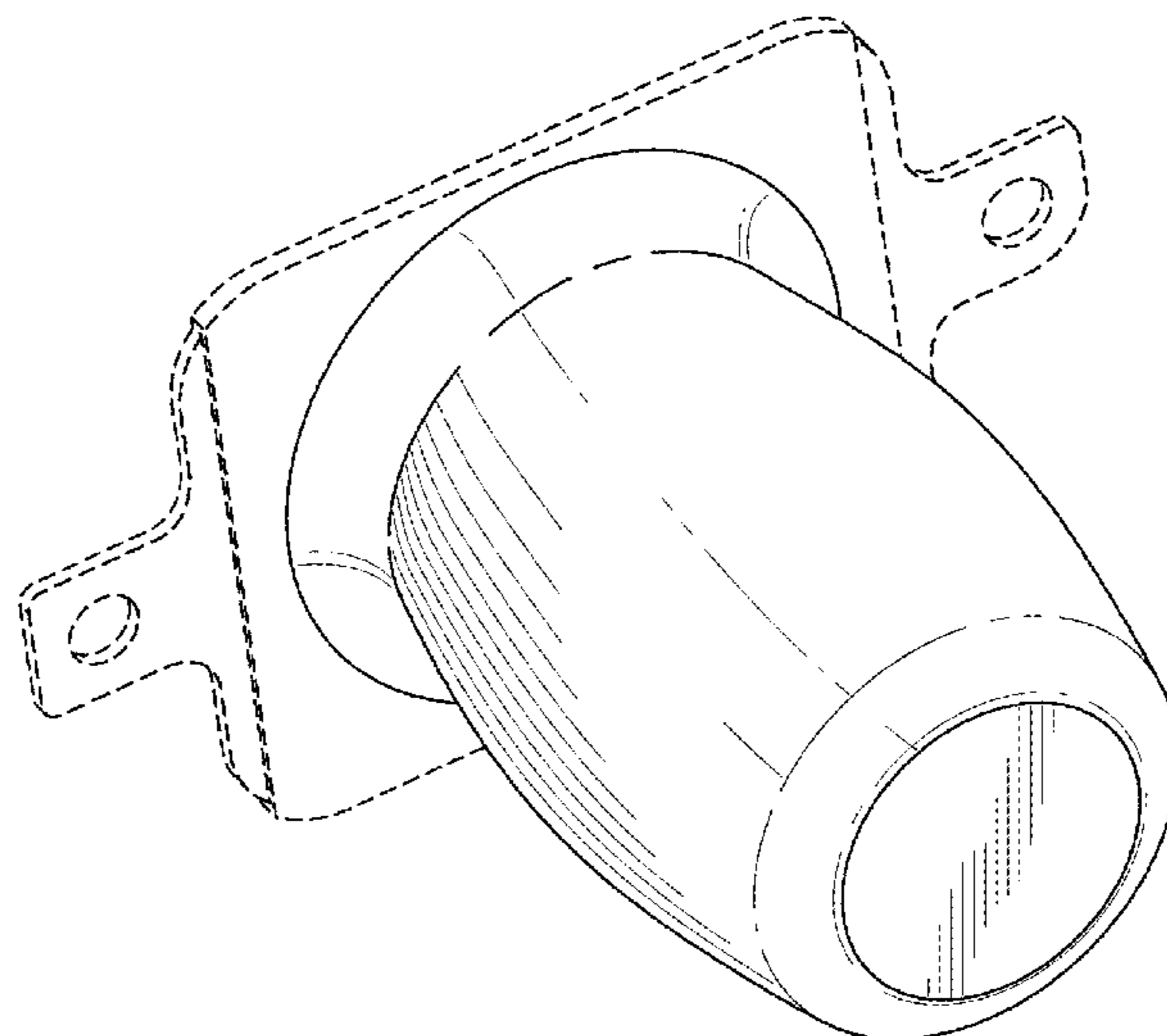
(56) **References Cited**

U.S. PATENT DOCUMENTS

1,556,794 A \* 10/1925 Manson ..... A63B 67/10  
473/506  
2,503,378 A 4/1950 Cornwell  
RE23,515 E 6/1952 Withall  
2,614,831 A 10/1952 Withall  
3,409,284 A 11/1968 Rix

(Continued)

**1 Claim, 4 Drawing Sheets**



(56)

**References Cited**

U.S. PATENT DOCUMENTS

3,447,814	A	6/1969	Siber et al.	
3,679,166	A	7/1972	Sturhan	
3,685,284	A *	8/1972	Taubner, Jr. ....	A44C 11/002 59/2
3,806,106	A	4/1974	Hamel et al.	
4,053,148	A	10/1977	Chalmers	
4,256,292	A	3/1981	Sullivan, Jr. et al.	
4,307,908	A *	12/1981	Donaldson .....	A45D 2/00 132/200
4,355,792	A	10/1982	Fukuda et al.	
4,796,870	A	1/1989	Hoffman et al.	
4,923,210	A	5/1990	Heider et al.	
5,116,061	A *	5/1992	Zentner, Jr. ....	A63F 3/00094 273/241
6,513,798	B2	2/2003	Capek et al.	
6,533,258	B2	3/2003	Monson et al.	
7,044,061	B2	5/2006	O'Donnell et al.	
7,044,457	B2	5/2006	Bucksbee	
7,458,172	B2	12/2008	Aveni	
D601,710	S *	10/2009	Klearman .....	D11/1
D632,620	S *	2/2011	Noble .....	D12/160
8,590,869	B2	11/2013	Tavares et al.	
9,261,227	B2 *	2/2016	Pierce .....	F16M 13/02
D763,742	S *	8/2016	Noble .....	D12/159
9,739,327	B2 *	8/2017	Kamiya .....	F16F 1/377
2003/0067134	A1 *	4/2003	Galazin .....	B60G 9/02 280/124.116
2006/0082037	A1 *	4/2006	Al-Dahhan .....	B60G 11/15 267/179

OTHER PUBLICATIONS

Nole et al., U.S. Appl. No. 29/518,936, filed Feb. 27, 2015, 11 pages.

\* cited by examiner

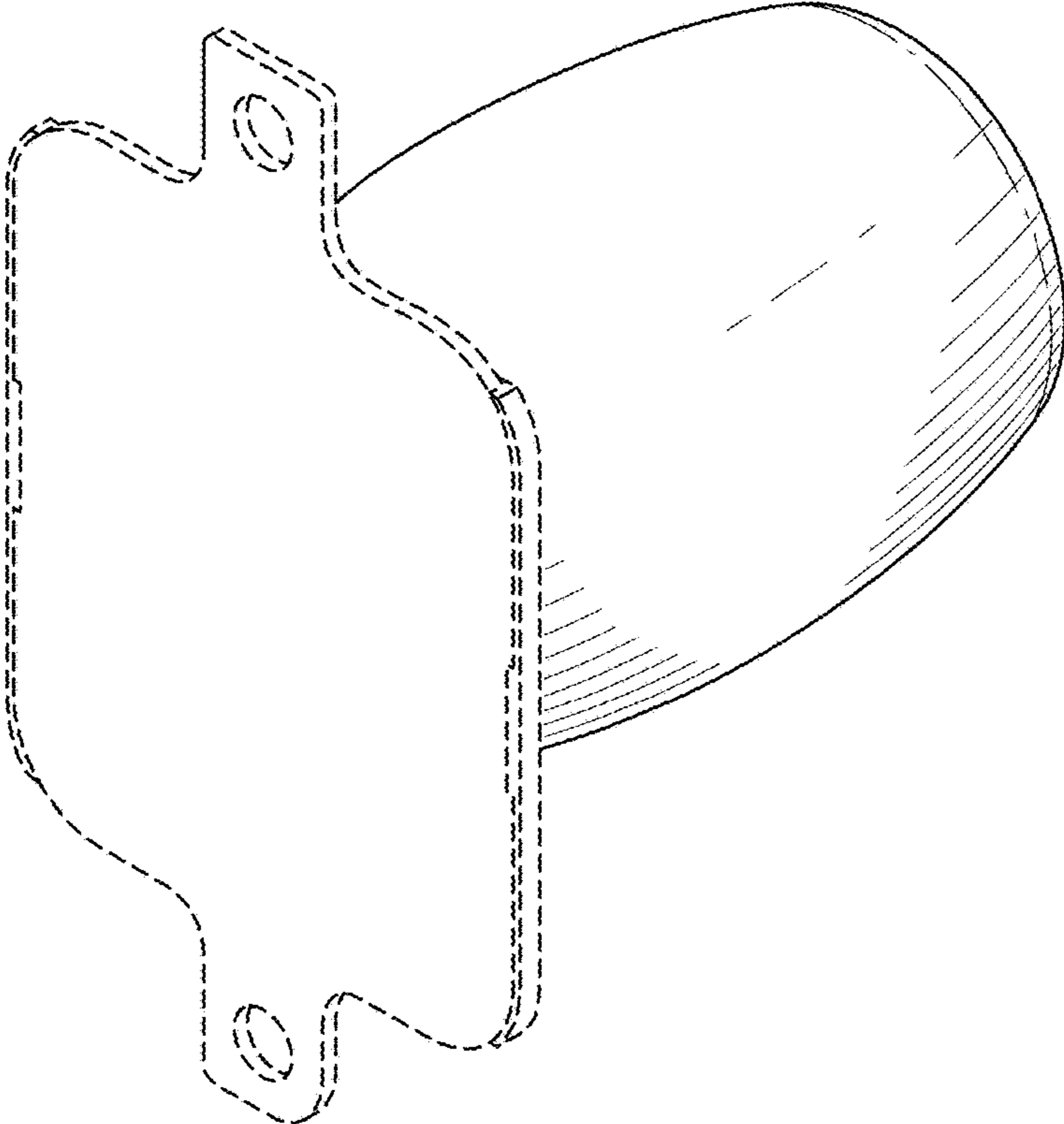


FIG. 1

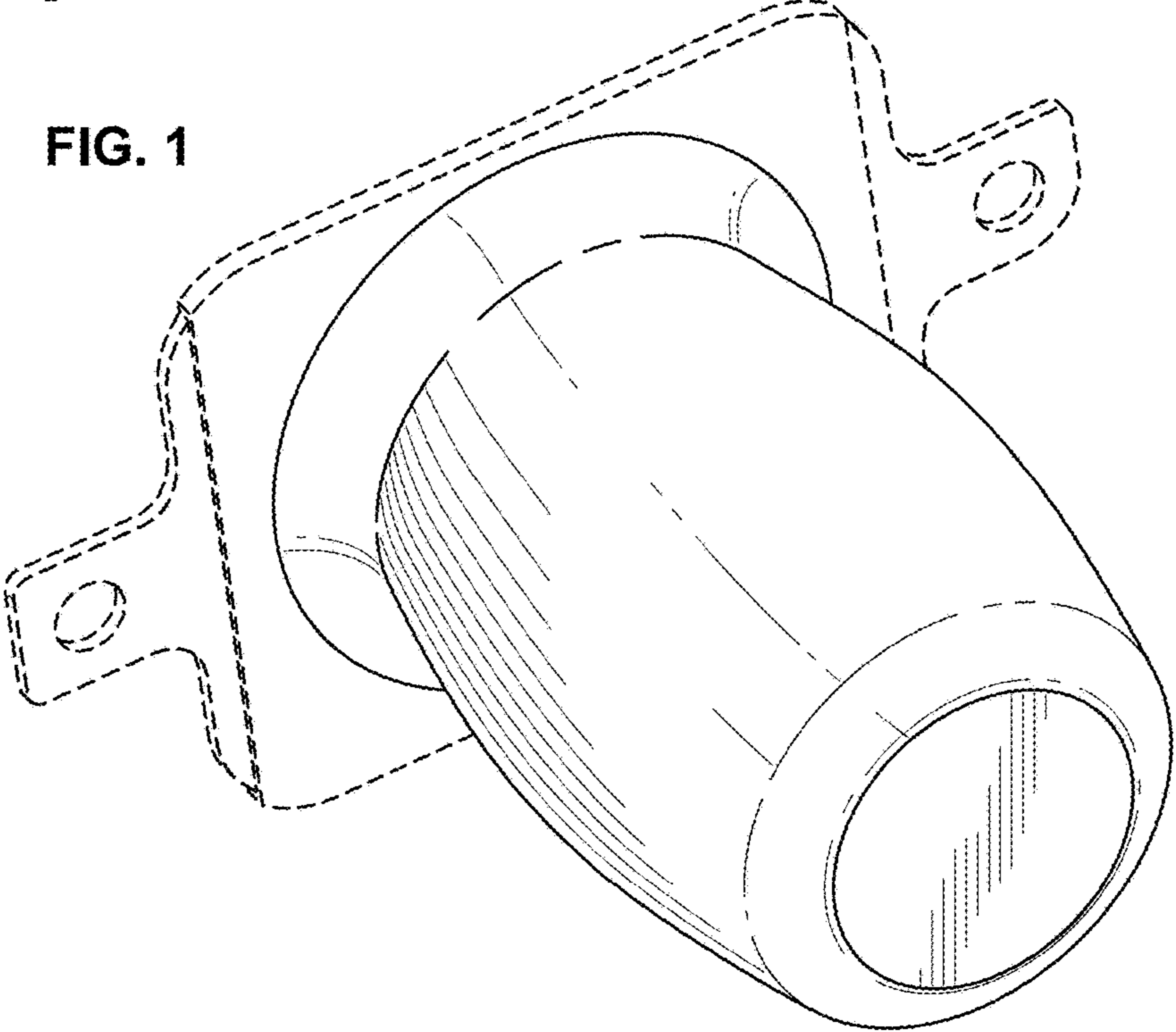


FIG. 2

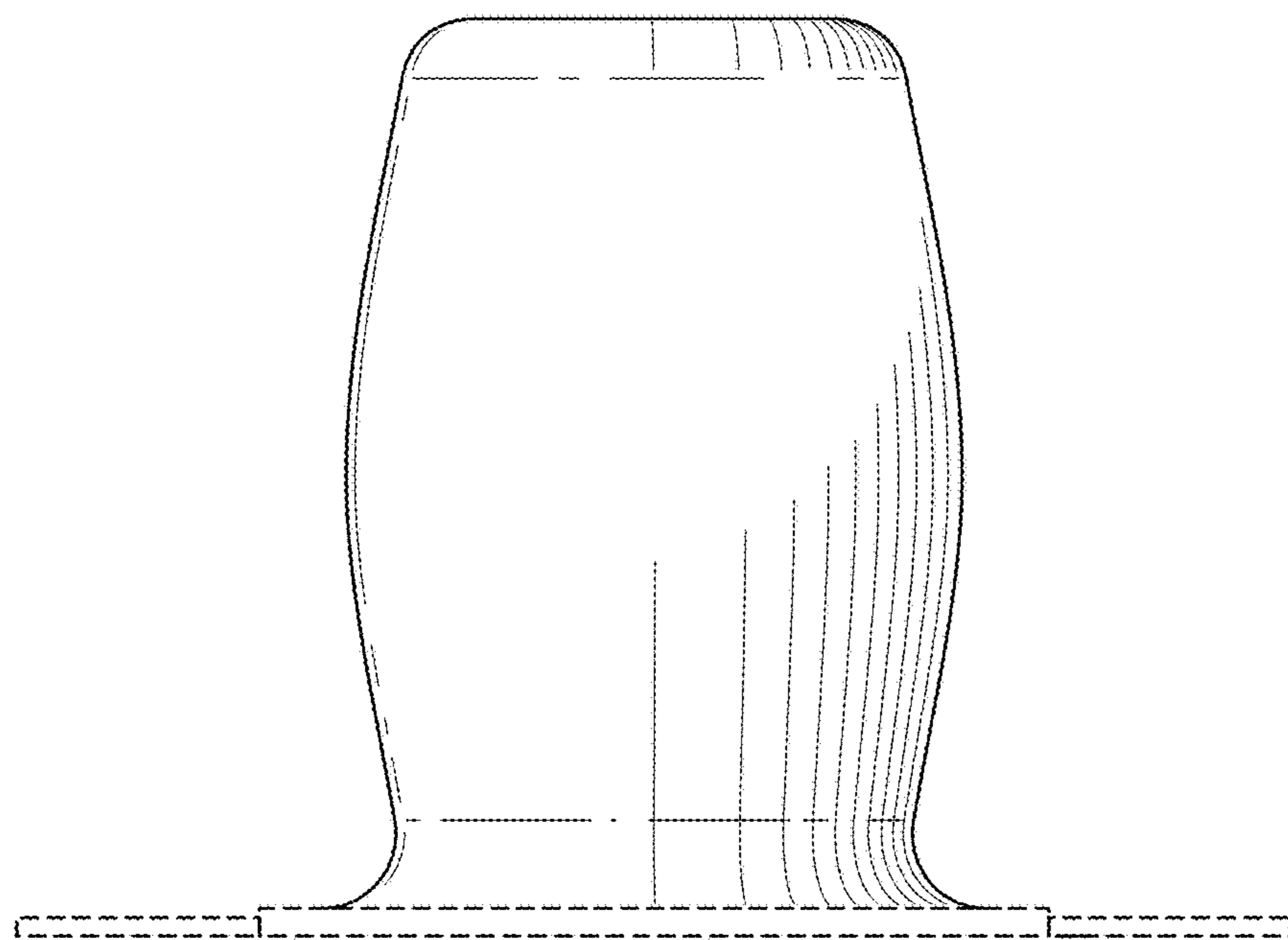


FIG. 3

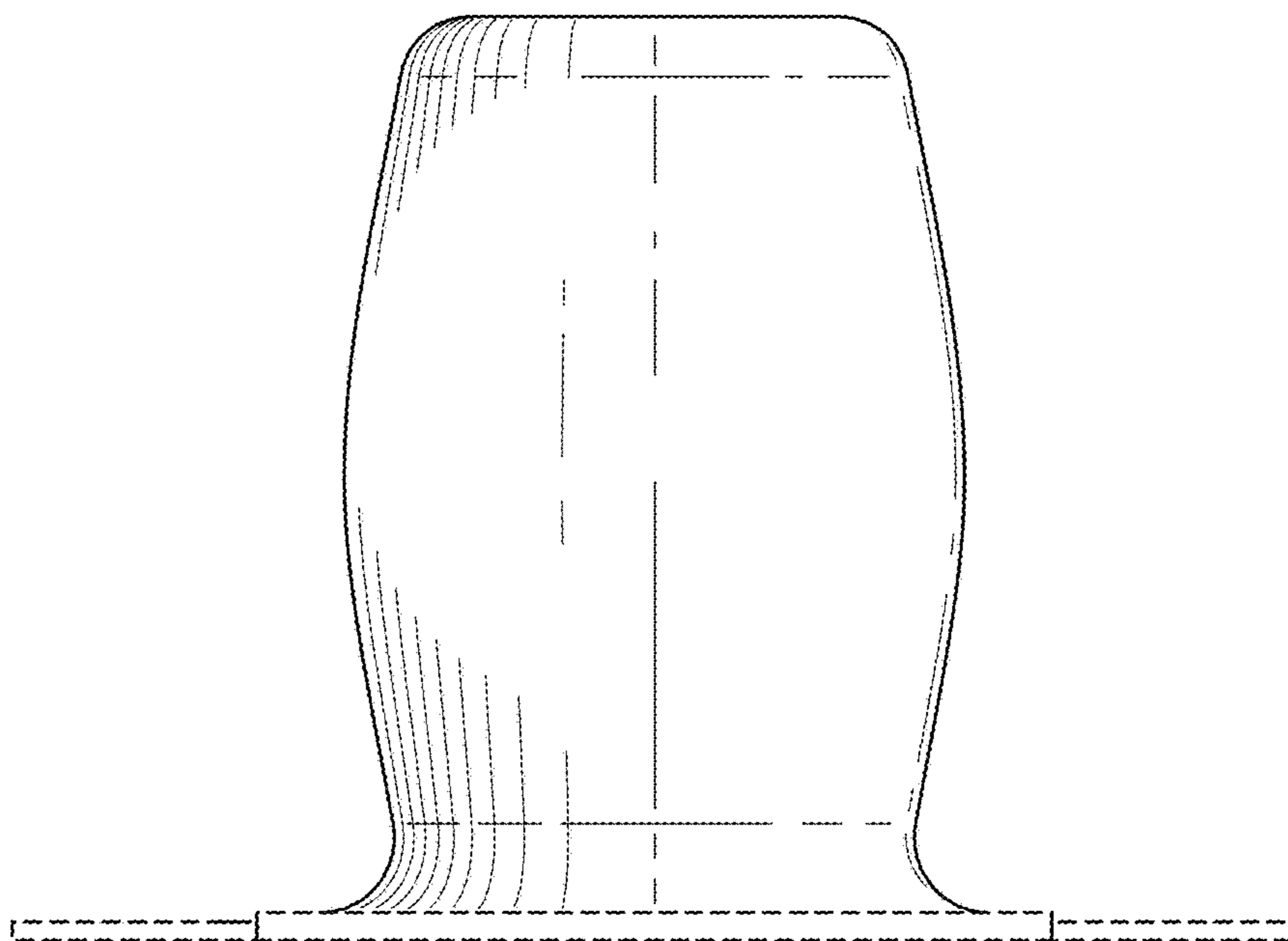


FIG. 4

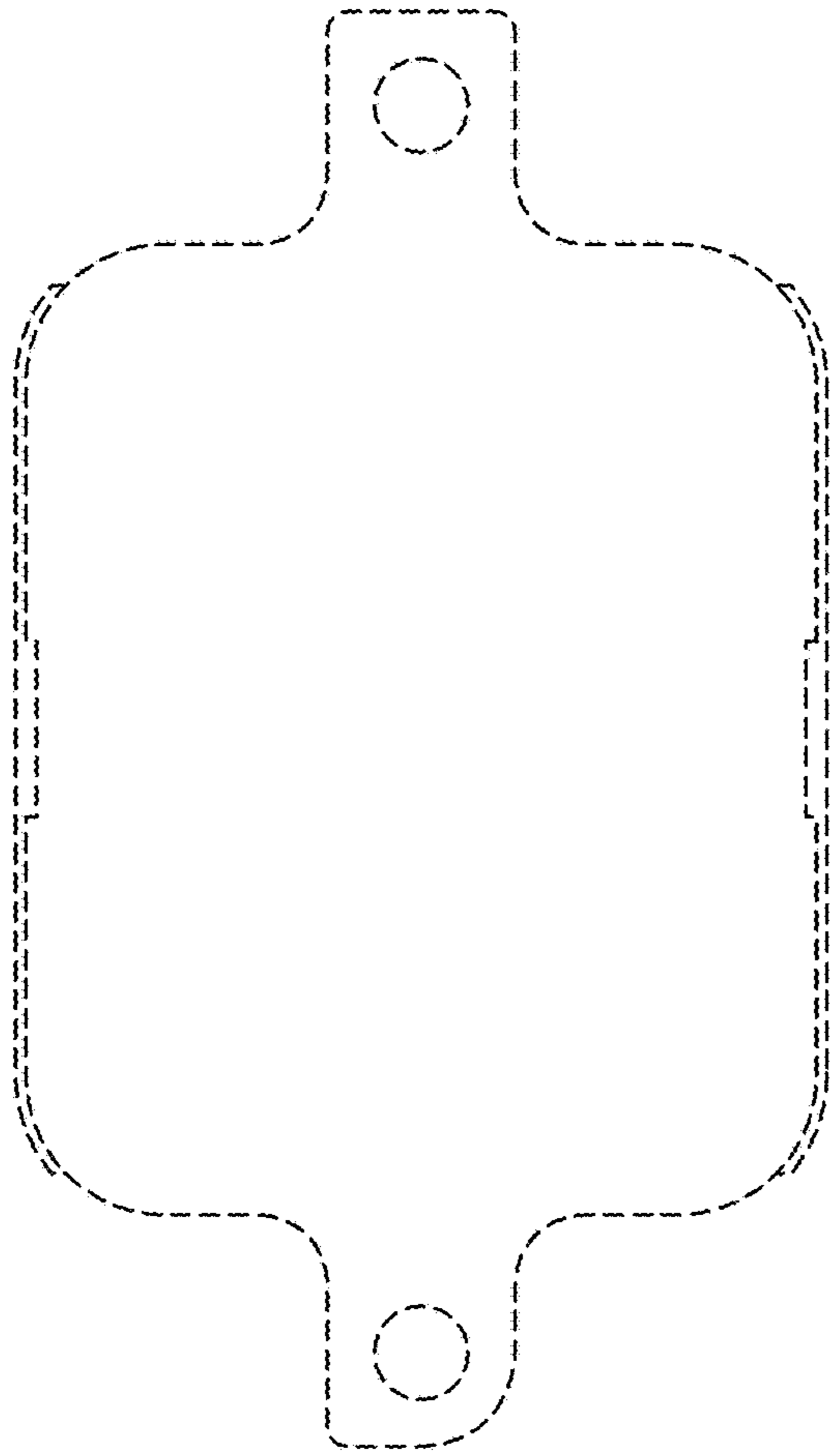


FIG. 5

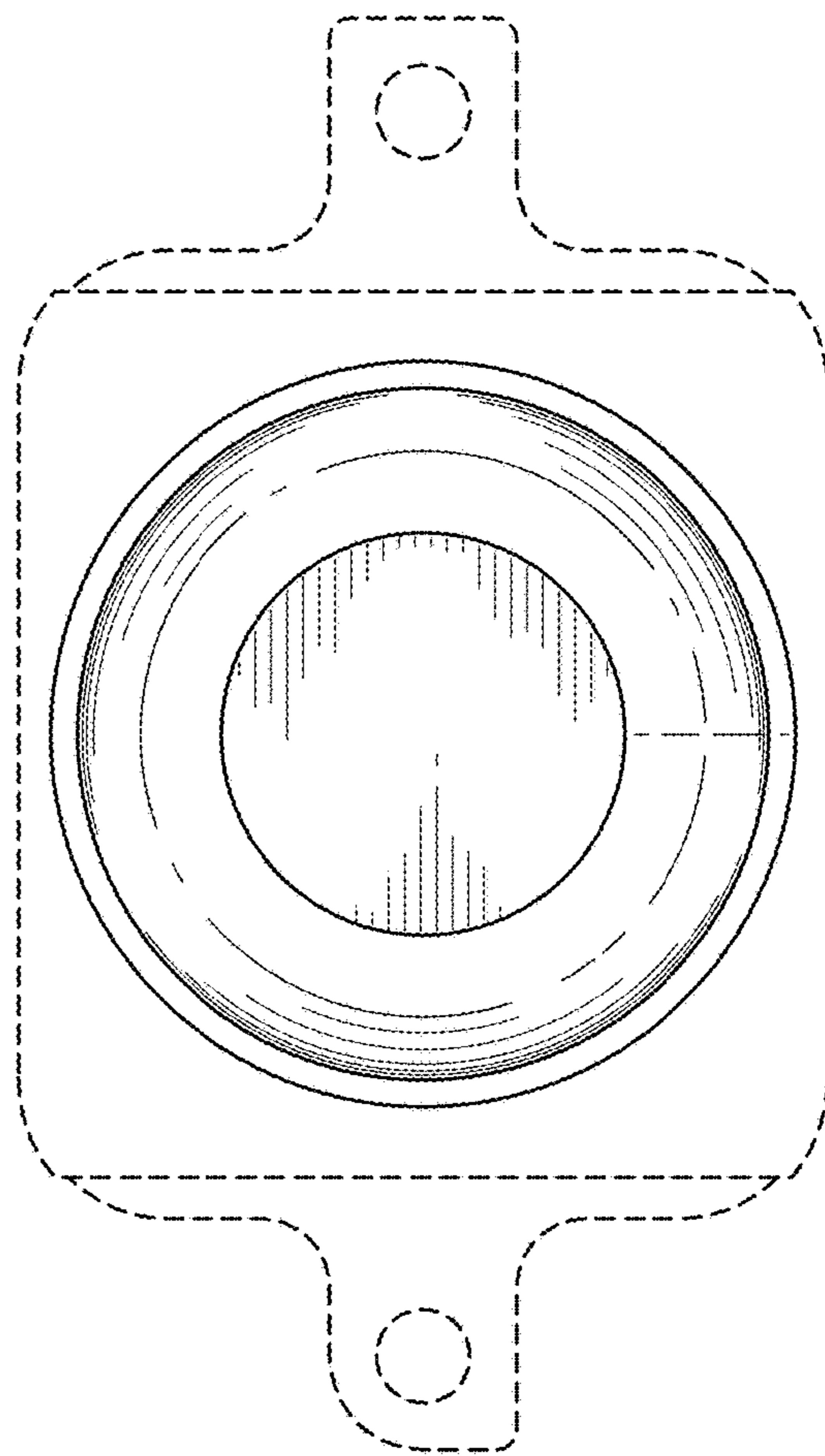


FIG. 6

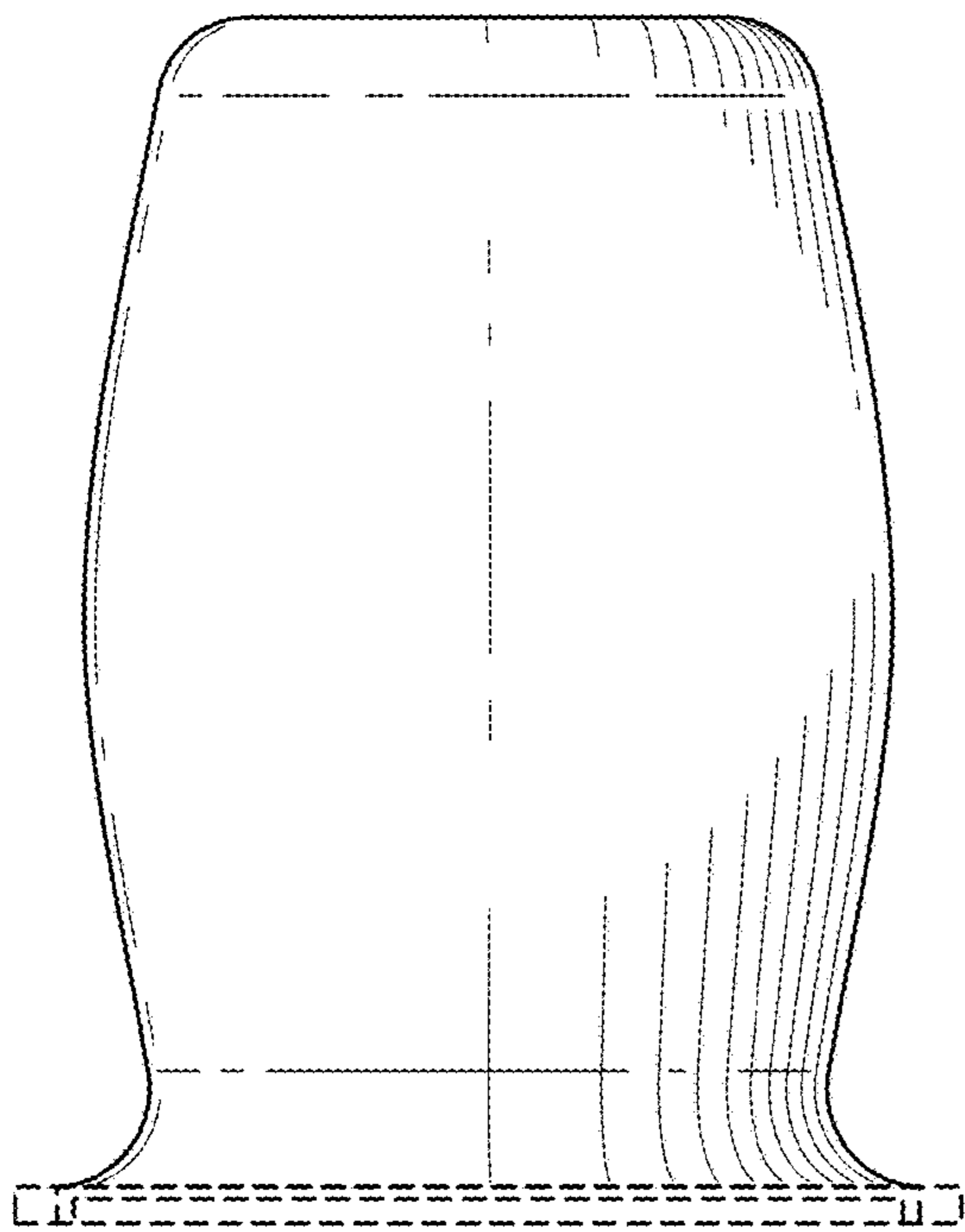


FIG. 7

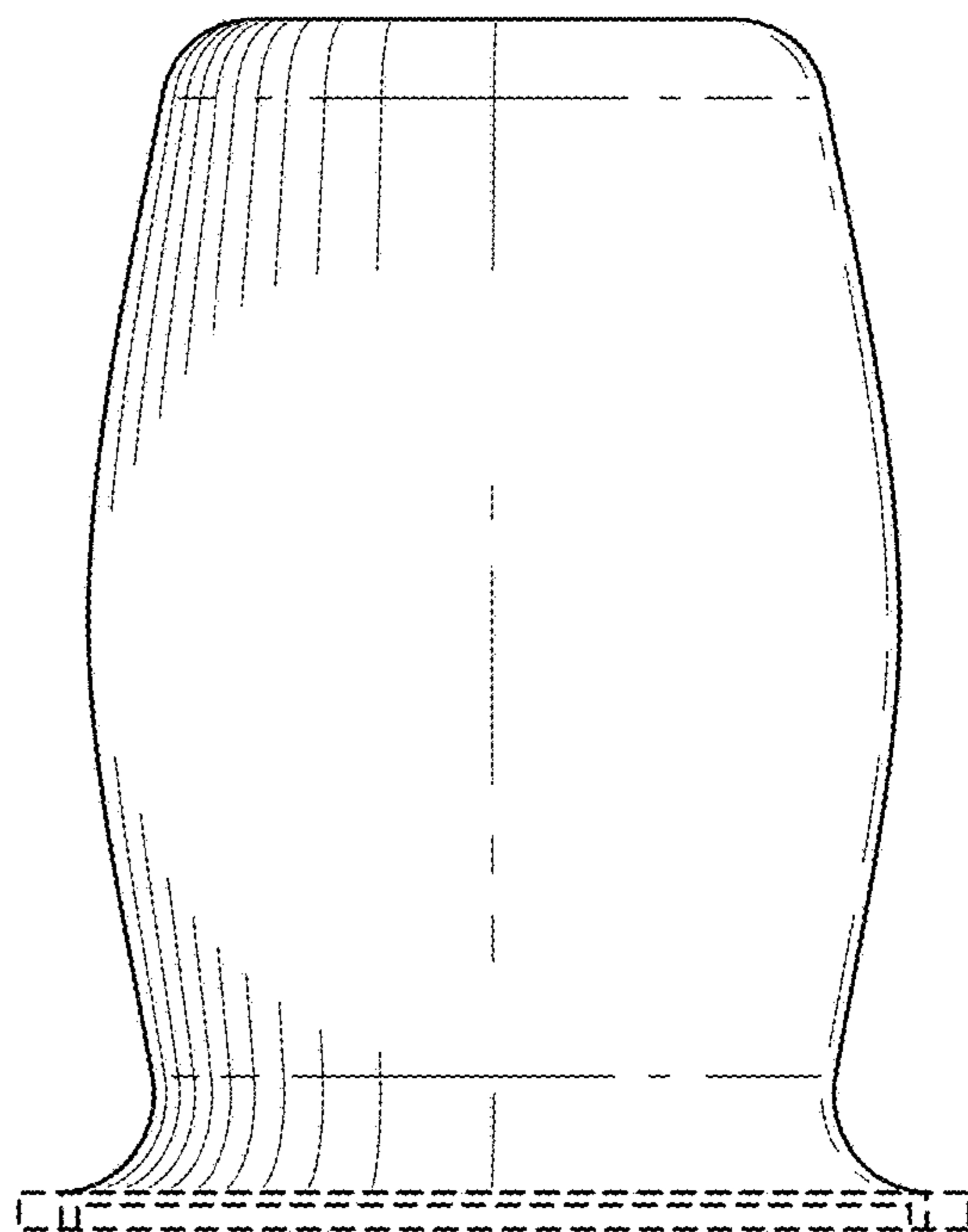


FIG. 8