



US00D807793S

(12) **United States Design Patent**
Paterson et al.

(10) **Patent No.:** **US D807,793 S**
(45) **Date of Patent:** **** Jan. 16, 2018**

(54) **ROLLATOR**

Primary Examiner — Charles Hanson

(71) Applicant: **Medline Industries Inc.**, Northfield, IL (US)

(74) *Attorney, Agent, or Firm* — Fitch, Even, Tabin & Flannery LLP

(72) Inventors: **Michael Paterson**, Chicago, IL (US);
Tong Jin Kim, West Lafayette, IN (US);
Kegan McDaniel, Chicago, IL (US);
Luke Westra, Chicago, IL (US)

(57) **CLAIM**

We claim the ornamental design for a rollator, as shown and described.

(73) Assignee: **Medline Industries, Inc.**, Northfield, IL (US)

DESCRIPTION

(**) Term: **14 Years**

(21) Appl. No.: **29/523,431**

(22) Filed: **Apr. 9, 2015**

(51) **LOC (11) Cl.** **12-12**

(52) **U.S. Cl.**
USPC **D12/130**

(58) **Field of Classification Search**
USPC **D12/128–133**

(Continued)

(56) **References Cited**

U.S. PATENT DOCUMENTS

474,666 A 5/1892 Krehbiel
3,186,759 A 6/1965 Reeves

(Continued)

FOREIGN PATENT DOCUMENTS

DE 29717488 U1 11/1997
EP 2343035 A1 8/2012

(Continued)

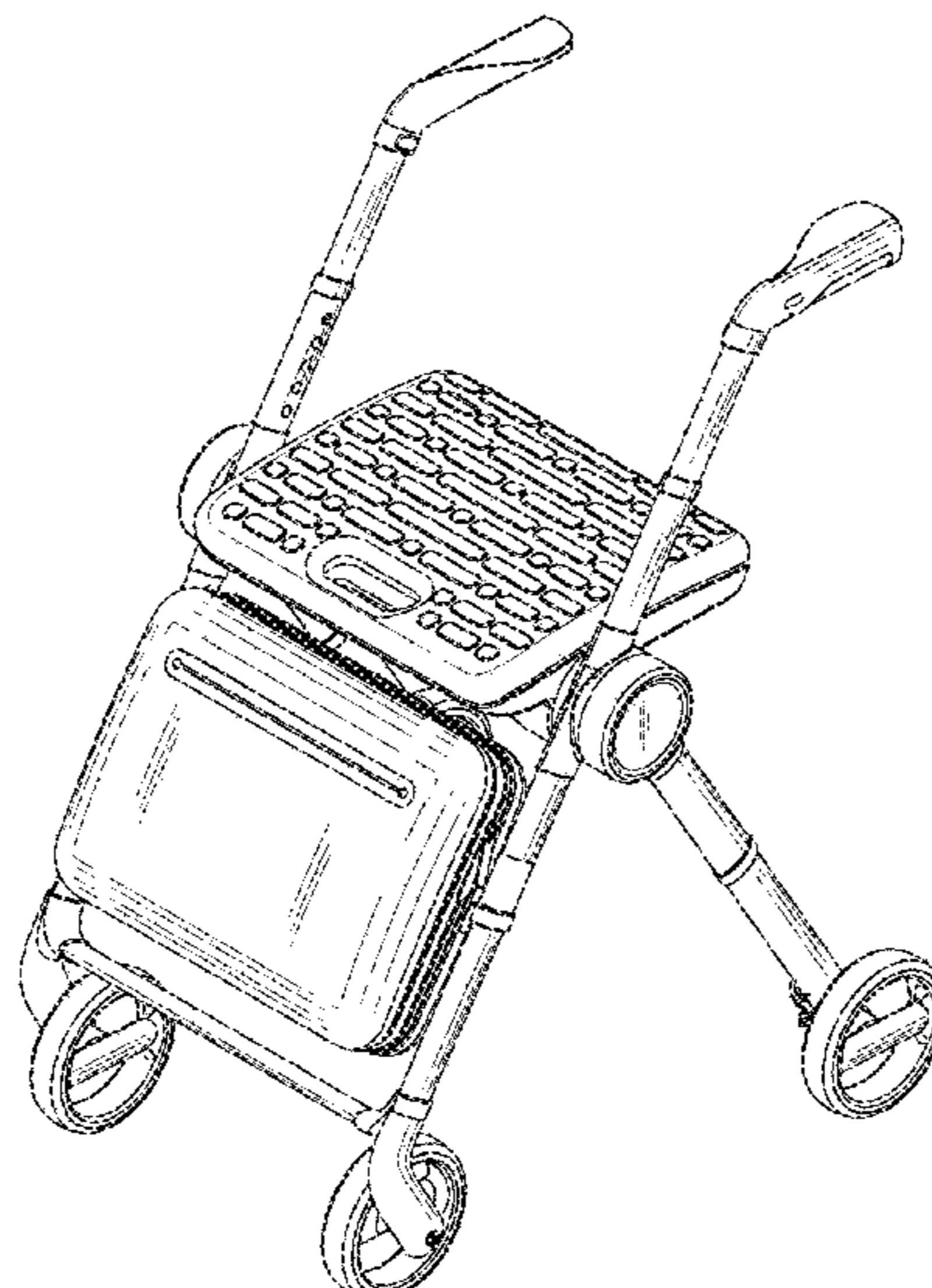
OTHER PUBLICATIONS

International Search Report and Written Opinion from International Application No. PCT/US2016/026936; Jul. 6, 2016; 14 pages.

(Continued)

FIG. 1 is a top perspective view of a rollator showing our new design;
FIG. 2 is a bottom perspective view thereof;
FIG. 3 is a front elevational view thereof;
FIG. 4 is a rear elevational view thereof;
FIG. 5 is a left side elevational view thereof;
FIG. 6 is a right side elevational view thereof;
FIG. 7 is a top plan view thereof;
FIG. 8 is a bottom plan view thereof;
FIG. 9 is a top perspective view thereof, the seat shown in an alternate position;
FIG. 10 is a bottom perspective view thereof;
FIG. 11 is a front elevational view thereof;
FIG. 12 is a rear elevational view thereof;
FIG. 13 is a left side elevational view thereof;
FIG. 14 is a right side elevational view thereof;
FIG. 15 is a top plan view thereof;
FIG. 16 is a bottom plan view thereof;
FIG. 17 is a top perspective view thereof, in a folded position;
FIG. 18 is a bottom perspective view thereof;
FIG. 19 is a front elevational view thereof;
FIG. 20 is a rear elevational view thereof;
FIG. 21 is a left side elevational view thereof;
FIG. 22 is a right side elevational view thereof;
FIG. 23 is a top plan view thereof; and,
FIG. 24 is a bottom plan view thereof.

1 Claim, 22 Drawing Sheets



(58) **Field of Classification Search**
 CPC A61H 3/00; A61H 3/04; A61H
 2003/001–2003/007; A61H 2003/043;
 A61H 2003/046
 See application file for complete search history.

(56) **References Cited**
 U.S. PATENT DOCUMENTS

3,338,628	A	8/1967	Evans	
4,211,309	A	7/1980	Ruggiero	
4,229,039	A	10/1980	Day	
4,341,381	A	7/1982	Norberg	
D281,771	S	12/1985	Webb	
D289,507	S	4/1987	Danielsson	
5,058,912	A	10/1991	Harroun	
5,060,967	A	10/1991	Hulterstrum	
5,224,731	A	7/1993	Johnson	
5,320,122	A	6/1994	Jacobson, II	
5,364,120	A	11/1994	Shimansky	
5,419,571	A	5/1995	Vaughan	
D360,174	S	7/1995	Kjell	
D367,833	S	3/1996	Ahlbertz	
D372,890	S	8/1996	Ferm	
5,716,063	A	2/1998	Doyle	
5,741,020	A	4/1998	Harroun	
5,772,234	A	6/1998	Luo	
D396,437	S	7/1998	Liljedahl	
5,904,168	A	5/1999	Alulyan	
6,338,493	B1	1/2002	Wohlgemuth	
6,378,883	B1	4/2002	Epstein	
D503,909	S	4/2005	Tolfsen	
D519,423	S	4/2006	Tolfsen	
7,192,043	B1	3/2007	McLuen	
7,219,906	B2	5/2007	Hallgrimsson	
7,306,246	B2	12/2007	Gale	
D560,563	S	1/2008	Fransson	
7,370,734	B2	5/2008	Hallgrimsson	
7,379,734	B2	5/2008	Sato	
7,484,740	B2	2/2009	Miller	
7,628,411	B2	12/2009	Meyers	
D623,992	S	9/2010	Derks	
D633,830	S	3/2011	Derks	
7,918,473	B2	4/2011	Yao	
8,083,240	B2	12/2011	Jacobs	
8,226,111	B2	7/2012	Valdez	
8,596,669	B2	12/2013	Liao	
8,646,804	B2	2/2014	Derks	
8,851,502	B2 *	10/2014	Gaudiano	A61H 3/04 135/67
8,936,262	B2 *	1/2015	Nabeta	A61H 3/04 135/67
8,979,114	B2	3/2015	Cheng	
8,998,222	B2	4/2015	Huang	
8,998,223	B2 *	4/2015	Chang	F16D 59/02 188/20
D736,121	S	8/2015	Wang	
D739,314	S *	9/2015	Wang	D12/130
9,173,802	B2 *	11/2015	Willis	A61H 3/04
9,226,868	B2	1/2016	Andersen	
D754,034	S	4/2016	Wang	
D754,568	S	4/2016	Wang	
D766,139	S	9/2016	Chen	
2002/0050697	A1	5/2002	Hallgrimsson	
2002/0079663	A1	6/2002	Hallgrimsson	
2002/0153684	A1 *	10/2002	Sung	A61H 3/04 280/87.021
2004/0079405	A1 *	4/2004	Sanders	A61H 3/04 135/67
2004/0104559	A1 *	6/2004	Chen	A61H 3/04 280/642
2004/0118640	A1	6/2004	Hallgrimsson	
2004/0245737	A1	12/2004	Hallgrimsson	
2005/0001398	A1 *	1/2005	Serhan	A61H 3/04 280/87.01
2006/0284040	A1	12/2006	Nixon	

2007/0034243	A1	2/2007	Miller	
2007/0170699	A1 *	7/2007	Li	A61H 3/04 280/642
2007/0235067	A1	10/2007	Gale	
2007/0267054	A1 *	11/2007	Meyers	A61H 3/04 135/67
2007/0283990	A1	12/2007	Fernandez	
2008/0111349	A1 *	5/2008	Willis	A61H 3/04 280/648
2008/0129016	A1	6/2008	Willis	
2008/0135077	A1	6/2008	Meyers	
2008/0202571	A1	8/2008	Meyers	
2008/0252043	A1	10/2008	Willis	
2009/0033052	A1 *	2/2009	Bradshaw	A61H 3/04 280/87.021
2010/0301574	A1	12/2010	Derks	
2012/0205882	A1	8/2012	Staggs	
2013/0292916	A1	11/2013	Nabeta	
2014/0084559	A1	3/2014	Fang	
2014/0125037	A1	5/2014	Andersen	
2015/0182394	A1	7/2015	Kutsch	
2016/0113833	A1	4/2016	Andersen	

FOREIGN PATENT DOCUMENTS

JP	D1148308	S	7/2002
JP	D1292289	S	1/2007
TW	D107853		11/2005
TW	D127741		3/2009

OTHER PUBLICATIONS

Chinese Office Action from Chinese Patent Application No. 201310547406.7 dated Sep. 2, 2016 with English translation.
 PCT Patent Application No. PCT/US2013/068116; International Search Report and Written Opinion Dated Feb. 13, 2014.
 Taiwanese Search Report from TW102303182 Dated Jul. 17, 2014.
 “Guardian Deluxe Rollators with 8" Wheels”, Medline product currently available at <https://www.medline.com/product/Guardian-Deluxe-Rollators-with-8-Wheels/Rollators/Z05-PF04840?question=rollator&index=P1&indexCount=1#mrkSpec>.
 “Rollators with 8" Wheels”, Medline product currently available at <https://www.medline.com/product/Rollators-with-8-Wheels/Rollators/Z05-PF04844?question=rollator&index=P2&indexCount=2>.
 “Standard Bariatric Heavy Duty Rollator”, Medline product currently available at <https://www.medline.com/product/Standard-Bariatric-Heavy-Duty-Rollator/Rollators/Z05-PF04829?question=rollator&index=P3&indexCount=3>.
 “Basic Rollators”, Medline product currently available at <https://www.medline.com/product/Basic-Rollators/Rollators/Z05-PF04832?question=rollator&index=P4&indexCount=4>.
 “Ultralight Rollators”, Medline product currently available at <https://www.medline.com/product/Ultralight-Rollators/Rollators/Z05-PF04838?question=rollator&index=P5&indexCount=5>.
 “Deluxe Rollators”, Medline product currently available at <https://www.medline.com/product/Deluxe-Rollators/Rollators/Z05-PF04834?question=rollator&index=P6&indexCount=6>.
 “Luxe Rollator”, Medline product currently available at <https://www.medline.com/product/Luxe-Rollator/Rollators/Z05-PF04842?question=rollator&index=P7&indexCount=7>.
 “Deluxe Comfort Rollators”, Medline product currently available at <https://www.medline.com/product/Deluxe-Comfort-Rollators/Rollators/Z05-PF61367?question=rollator&index=P8&indexCount=8>.
 “Guardian Economy Rollators”, Medline product currently available at <https://www.medline.com/product/Guardian-Economy-Rollators/Rollators/Z05-PF04841?question=rollator&index=P9&indexCount=9>.
 “Basic Steel Rollators”, Medline product currently available at <https://www.medline.com/product/Basic-Steel-Rollators/Rollators/Z05-PF61071?question=rollator&index=P10&indexCount=10>.
 “Empower Rollator”, Medline product currently available at <https://www.medline.com/product/Empower-Rollator/Rollators/Z05-PF75510?question=rollator&index=P11&indexCount=11>.

(56)

References Cited

OTHER PUBLICATIONS

“Simplicity Rollator”, Medline product currently available at <https://www.medline.com/product/Simplicity-Rollator/Rollators/Z05-PF71394?question=rollator&index=P12&indexCount=12c>.

“Width Adjustable Rollators”, Medline product currently available at <https://www.medline.com/product/Width-Adjustable-Rollators/Rollators/Z05-PF103010?question=rollator&index=P18&indexCount=18>.

“Stealth Rollator”, Medline product currently available at <https://www.medline.com/product/Stealth-Rollator/Rollators/Z05-PF71395?question=rollator&index=P19&indexCount=19>.

“Posh Pink Zebra Rollator”, Medline product currently available at <https://www.medline.com/product/Posh-Pink-Zebra-Rollator/Rollators/Z05-PF70685?question=rollator&index=P21&indexCount=21>.

“Set n’ Go Height Adjustable Rollator by Graham-Field”, product currently available at <https://www.medline.com/product/Set-n-Go-Height-Adjustable-Rollator-by-Graham-Field/Rollators/Z05-PF110256?question=rollator&index=P29&indexCount=29>.

“Adjustable Rollator by Patterson Medical”, product currently available at <https://www.medline.com/product/Adjustable-Rollator-by-Patterson-Medical/Rollators/Z05-PF55372?question=rollator&index=P35&indexCount=35>.

“Invacare® Rollite™ Rollator by Patterson Medical”, product currently available at <https://www.medline.com/product/Invacare-Rol->

[lite153-Rollator-by-Patterson-Medical/Rollators/Z05-PF59721?question=rollator&index=P37&indexCount=37](https://www.medline.com/product/Lite153-Rollator-by-Patterson-Medical/Rollators/Z05-PF59721?question=rollator&index=P37&indexCount=37).

“Light Weight Extra Wide Heavy-Duty Alumi”, product currently available at <https://www.medline.com/product/Light-Neight-Extra-Wide-Heavy-Duty-Alumi/Rollators/Z05-PF55515?question=rollator&index=P41&indexCount=41>.

“Bariatric RollAider™ by Patterson Medical”, product currently available at <https://www.medline.com/product/Bariatric-RollAider153-by-Patterson-Medical/Rollators/Z05-PF74285?question=rollator&index=P43&indexCount=43>.

“U-Step Walking Stabilizer by Alimed”, product currently available at <https://www.medline.com/product/U-Step-Nalking-Stabilizer-by-Alimed/Rollators/Z05-PF57847?question=rollator&index=P48&indexCount=48>.

“Winnie Mimi Lite-RollatorTransport Cha”, product currently available at <https://www.medline.com/product/Winnie-Mimi-Lite-Rollator-Transport-Cha/Rollators/Z05-PF43257?question=rollator&index=P53&indexCount=53>.

“Walker CanyOn! Bags by Patterson”, product currently available at <https://www.medline.com/product/Walker-CarryOn-Bags-by-Patterson-Medical/Parts-Accessories/Z05-PF58535?P19&indexCount=19>.

“Tri-Wheeled Rollators”, Medline product currently available at <https://www.medline.com/product/Tri-Wheeled-Rollators/Rollators/Z05-PF04845?question=rollator&index=P16&indexCount=16>.

* cited by examiner

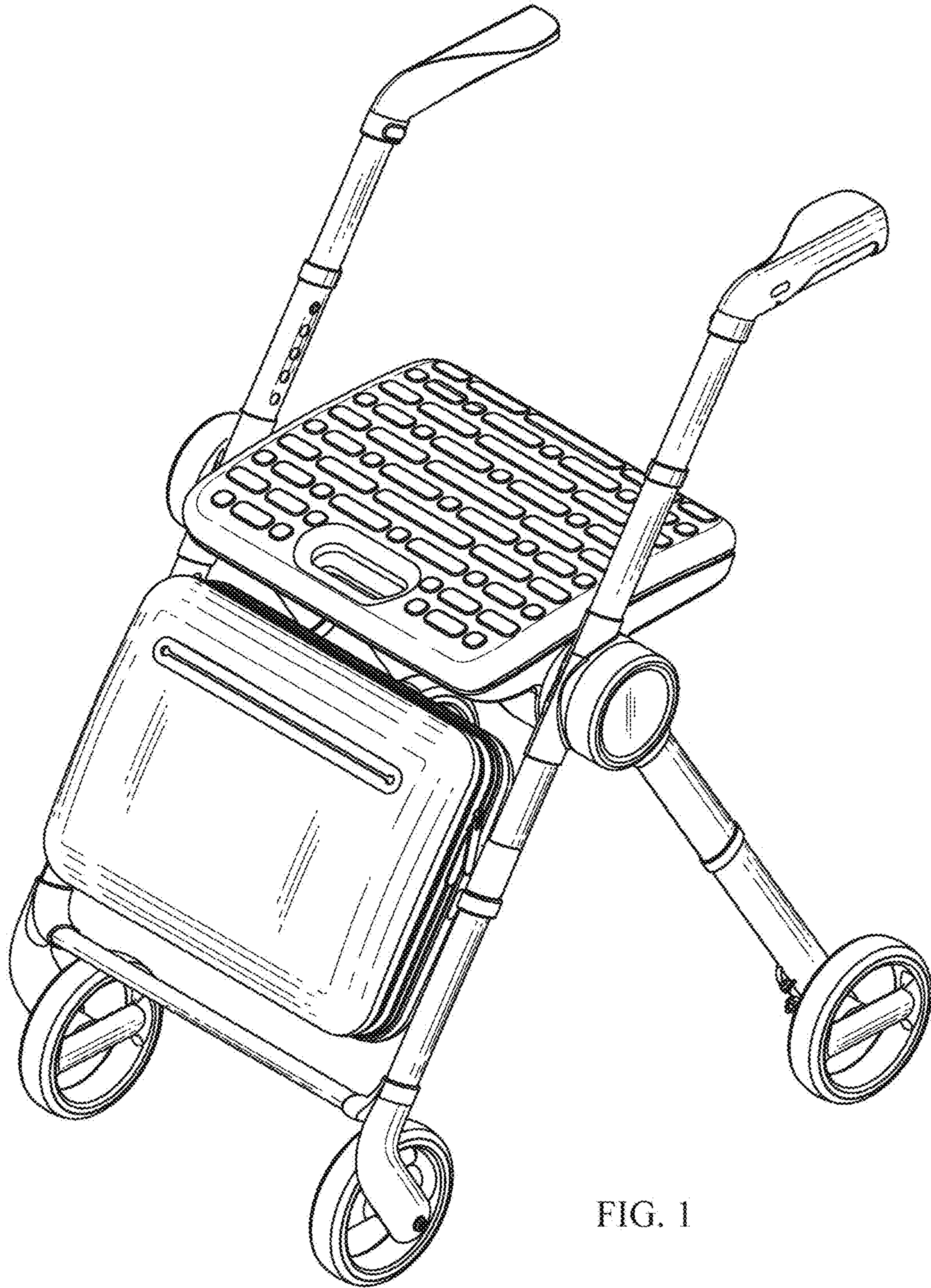


FIG. 1

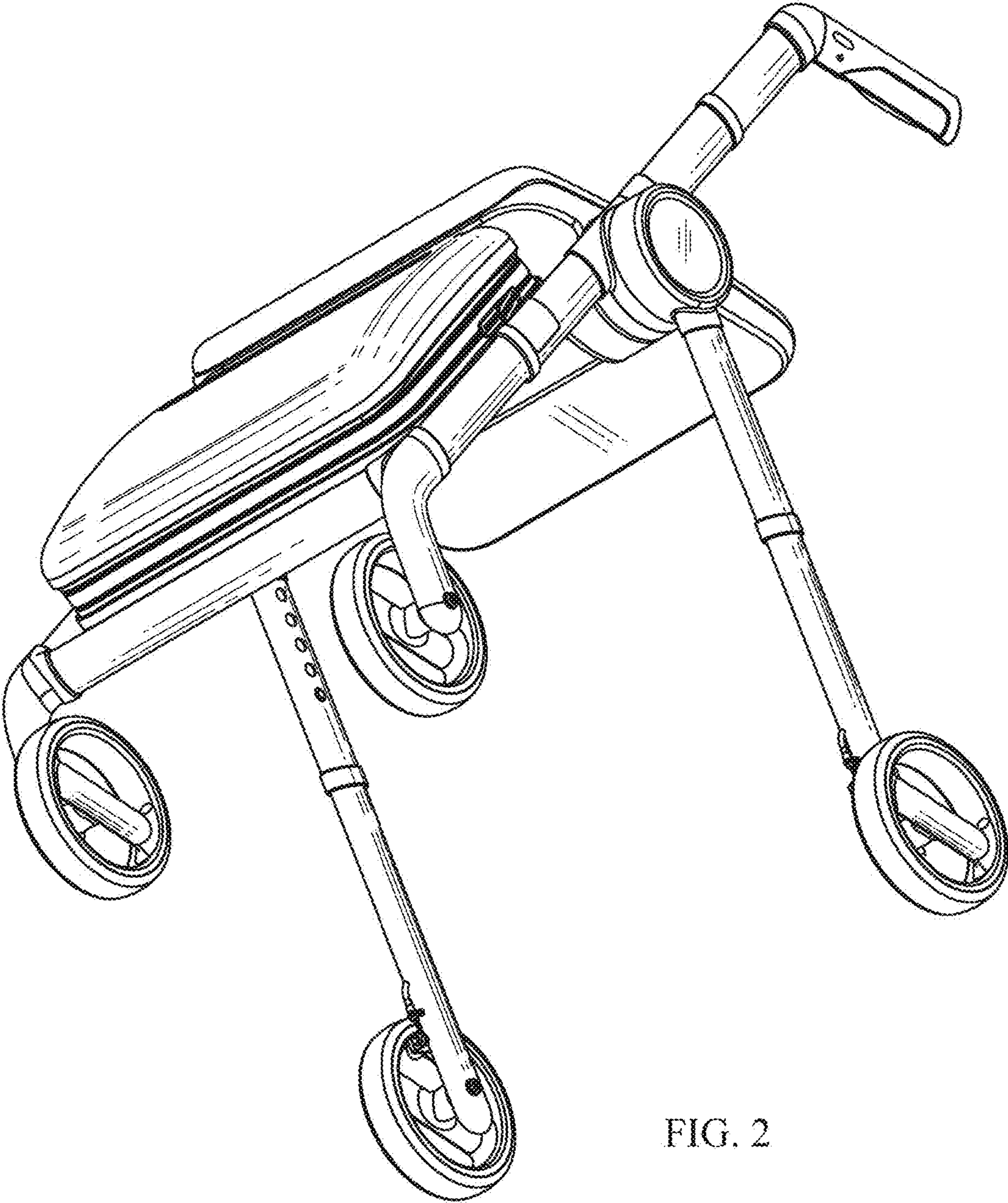


FIG. 2

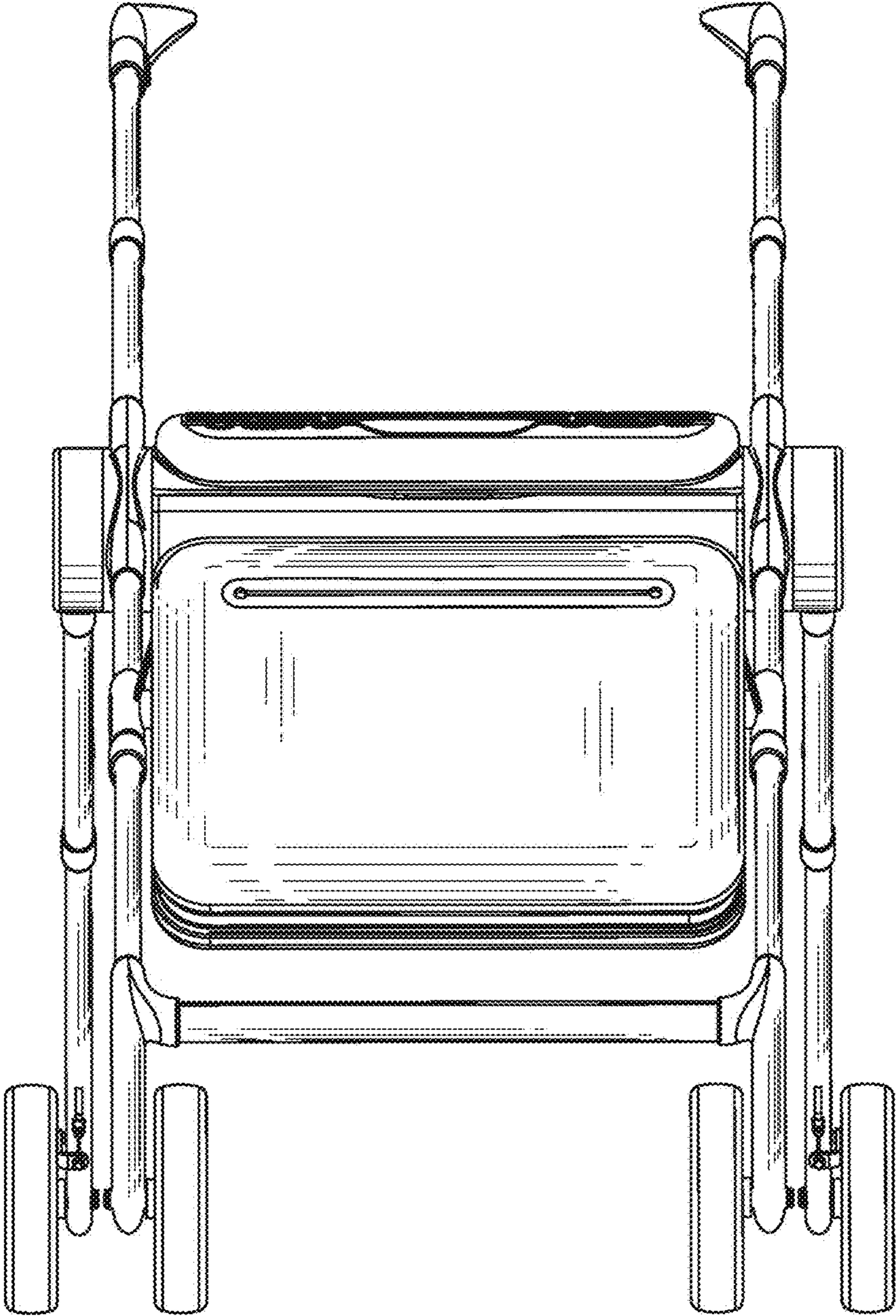


FIG. 3

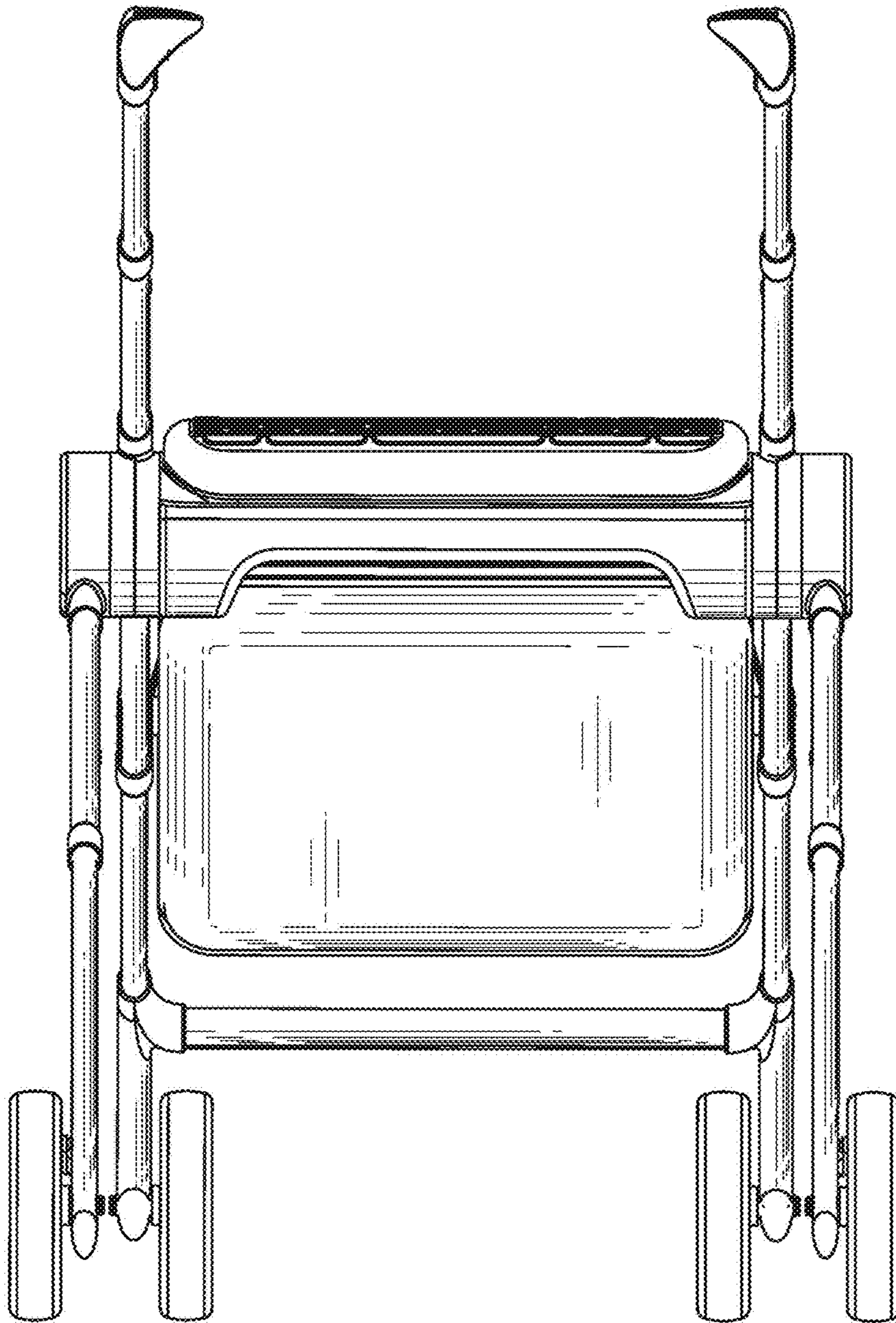


FIG. 4

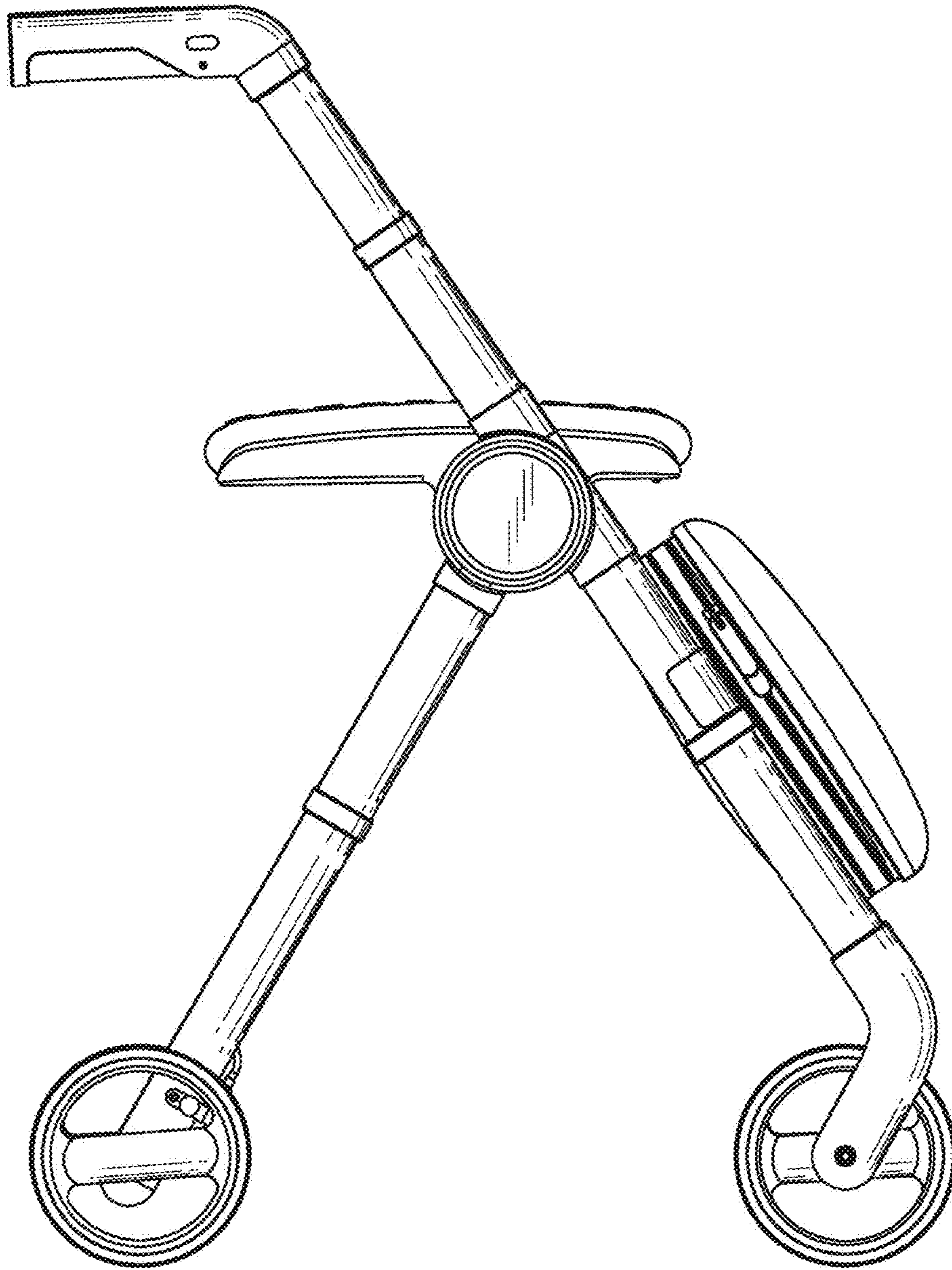


FIG. 5

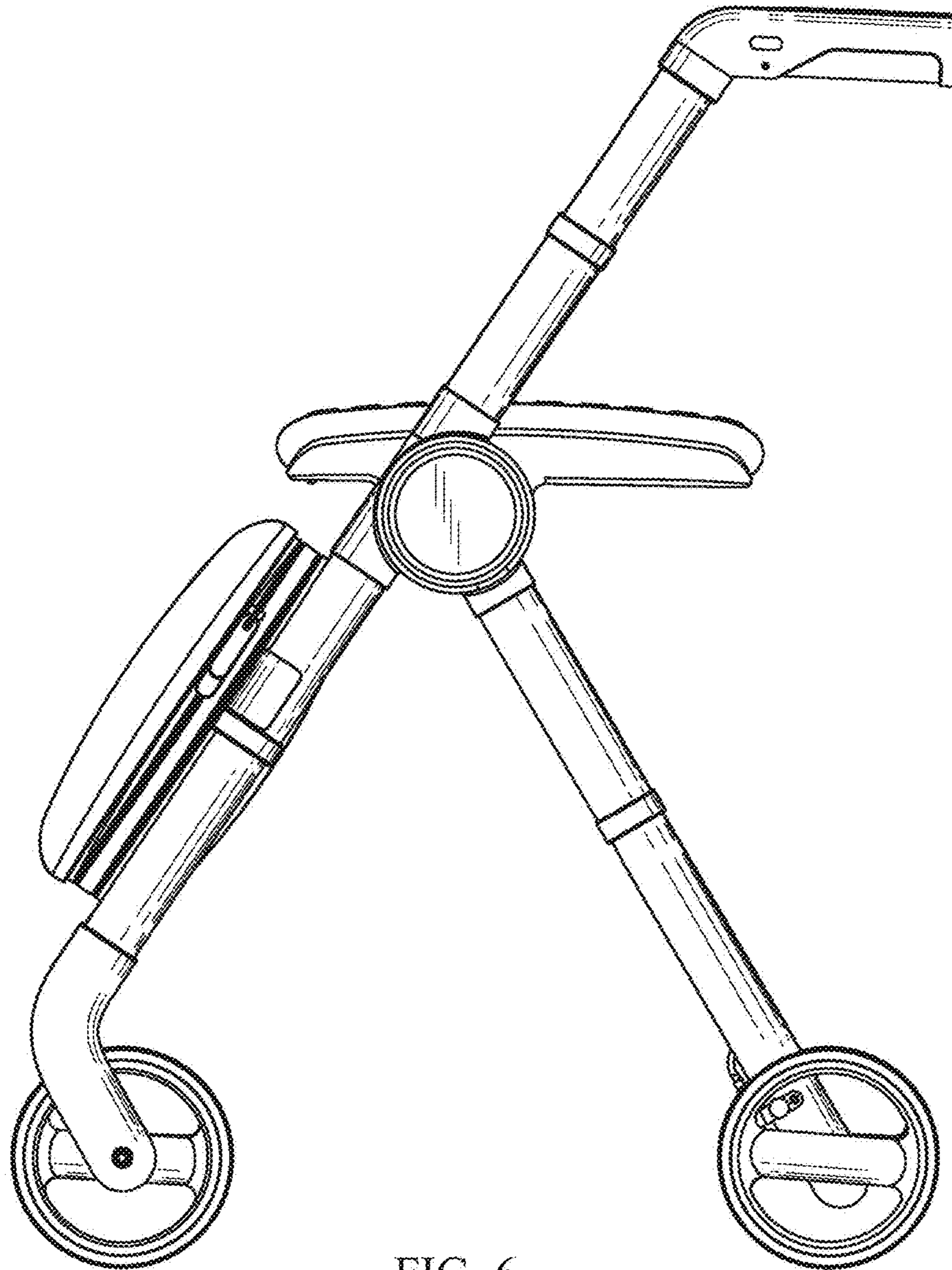


FIG. 6

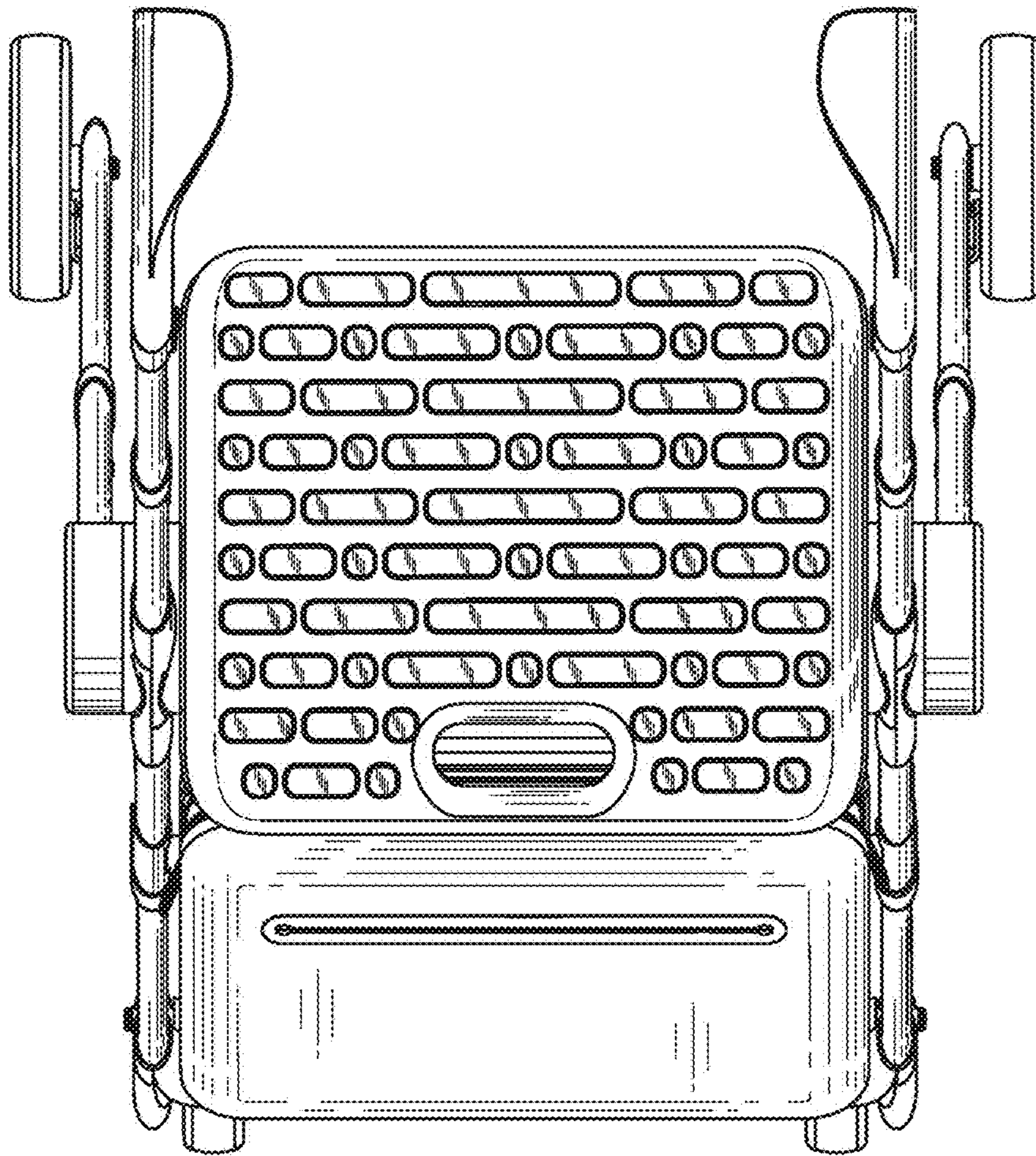


FIG. 7

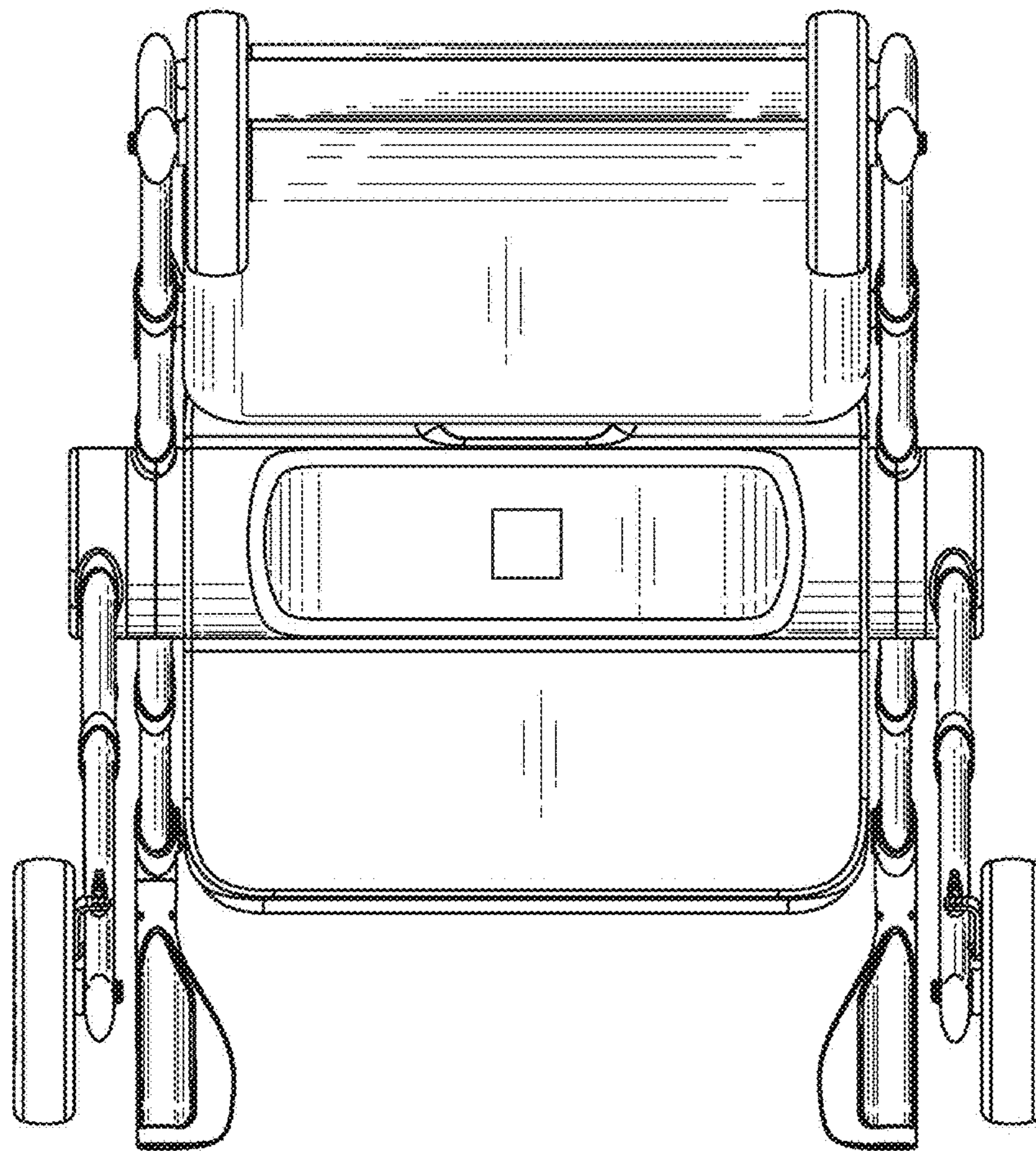


FIG. 8

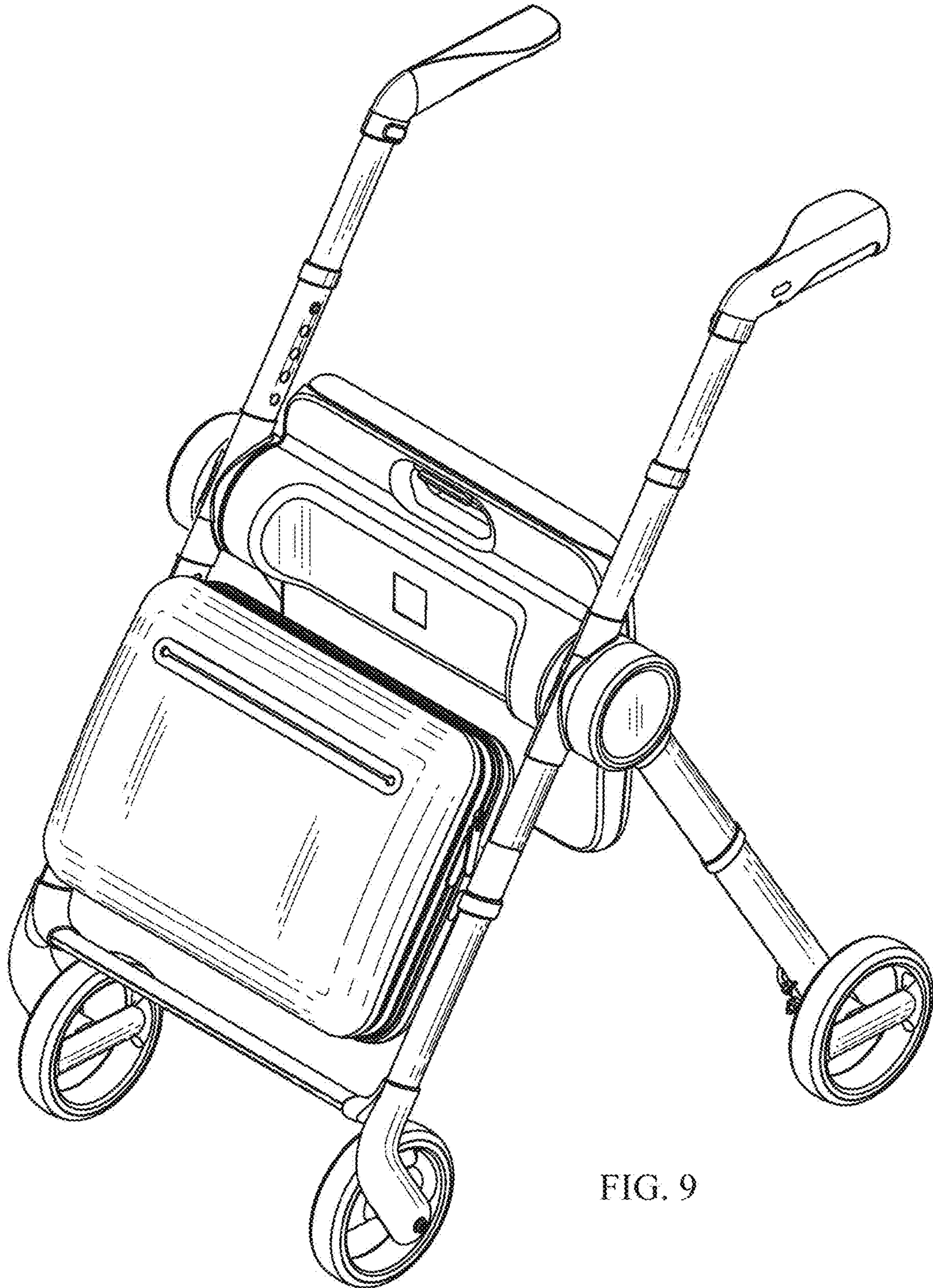


FIG. 9

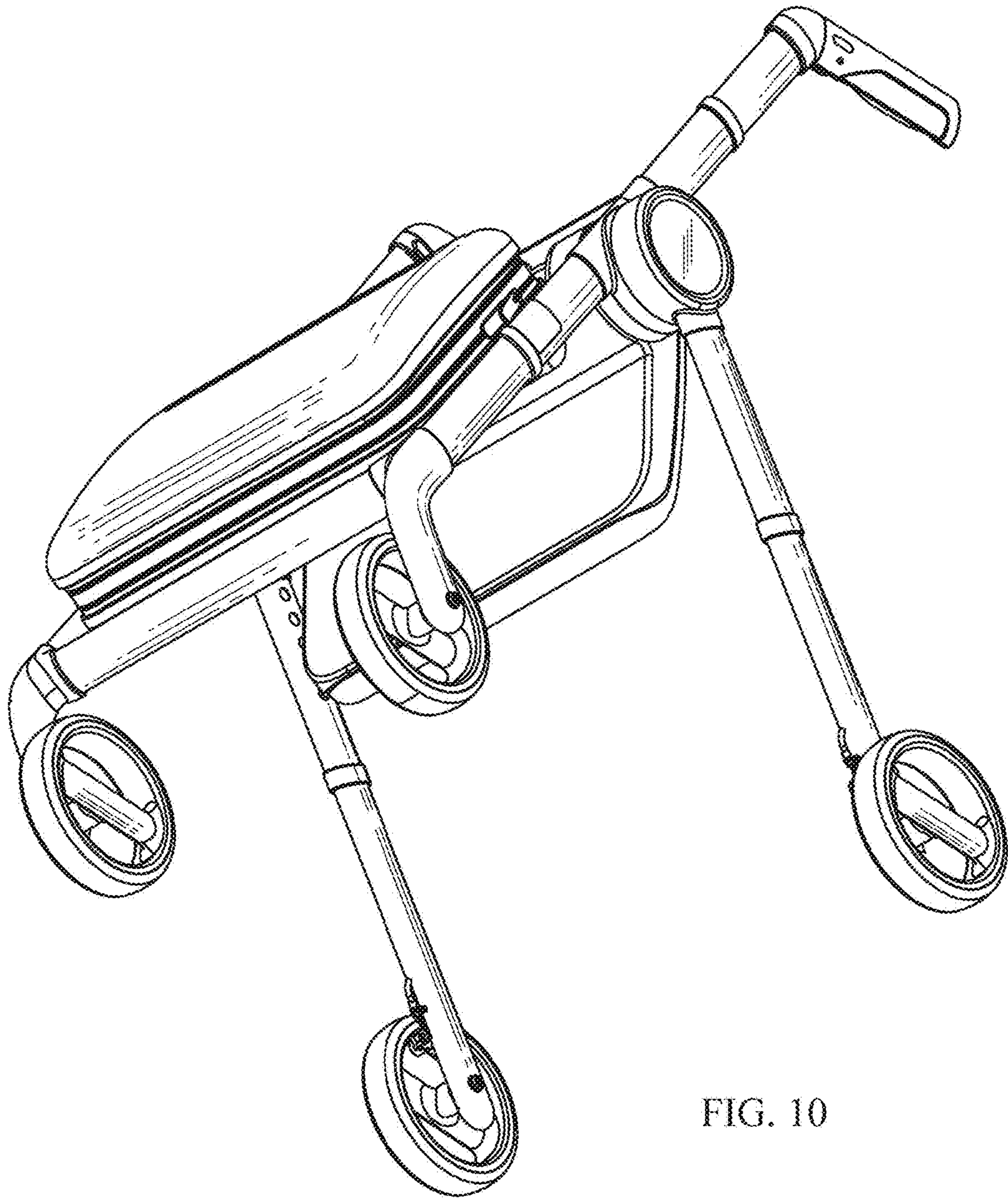


FIG. 10

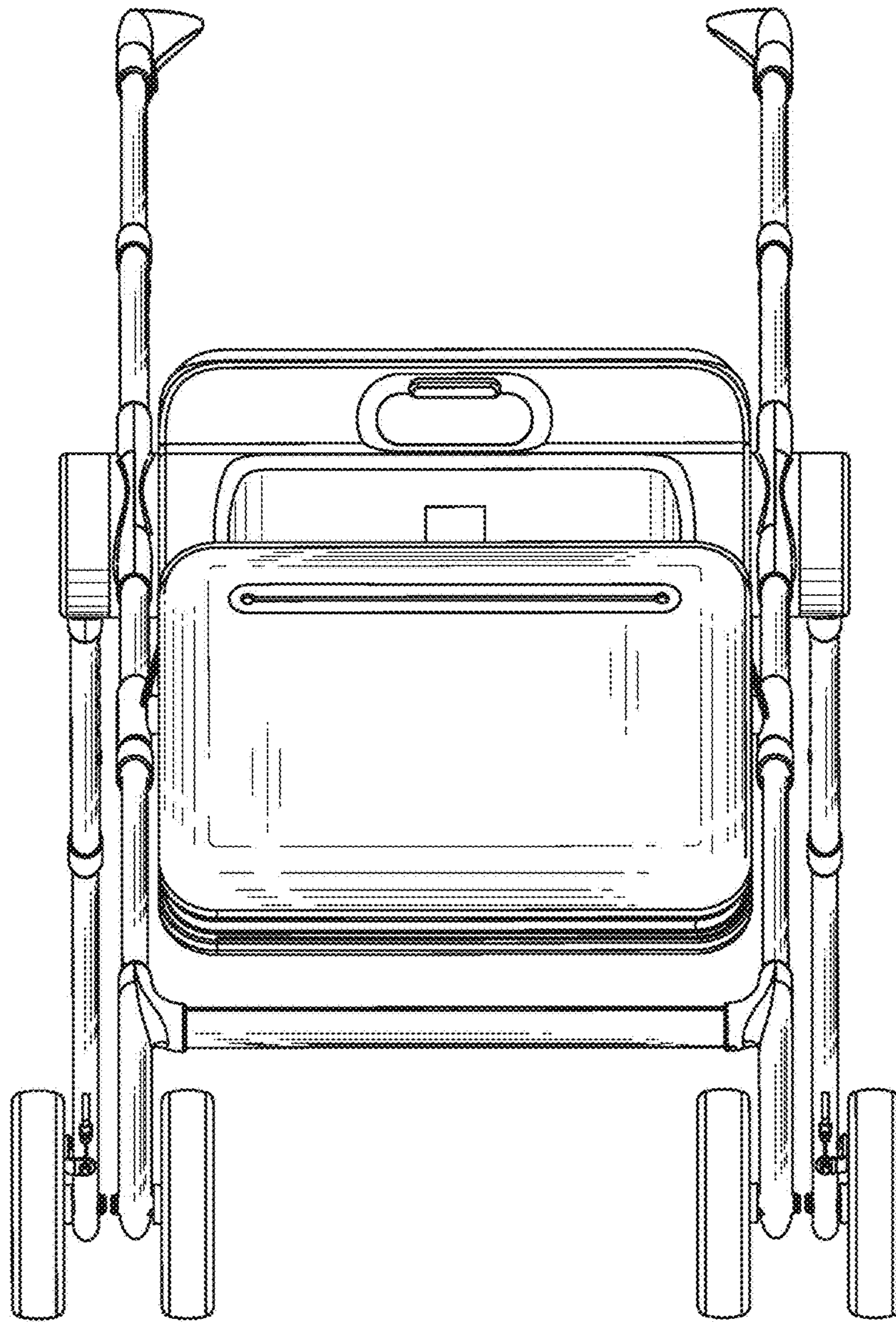


FIG. 11

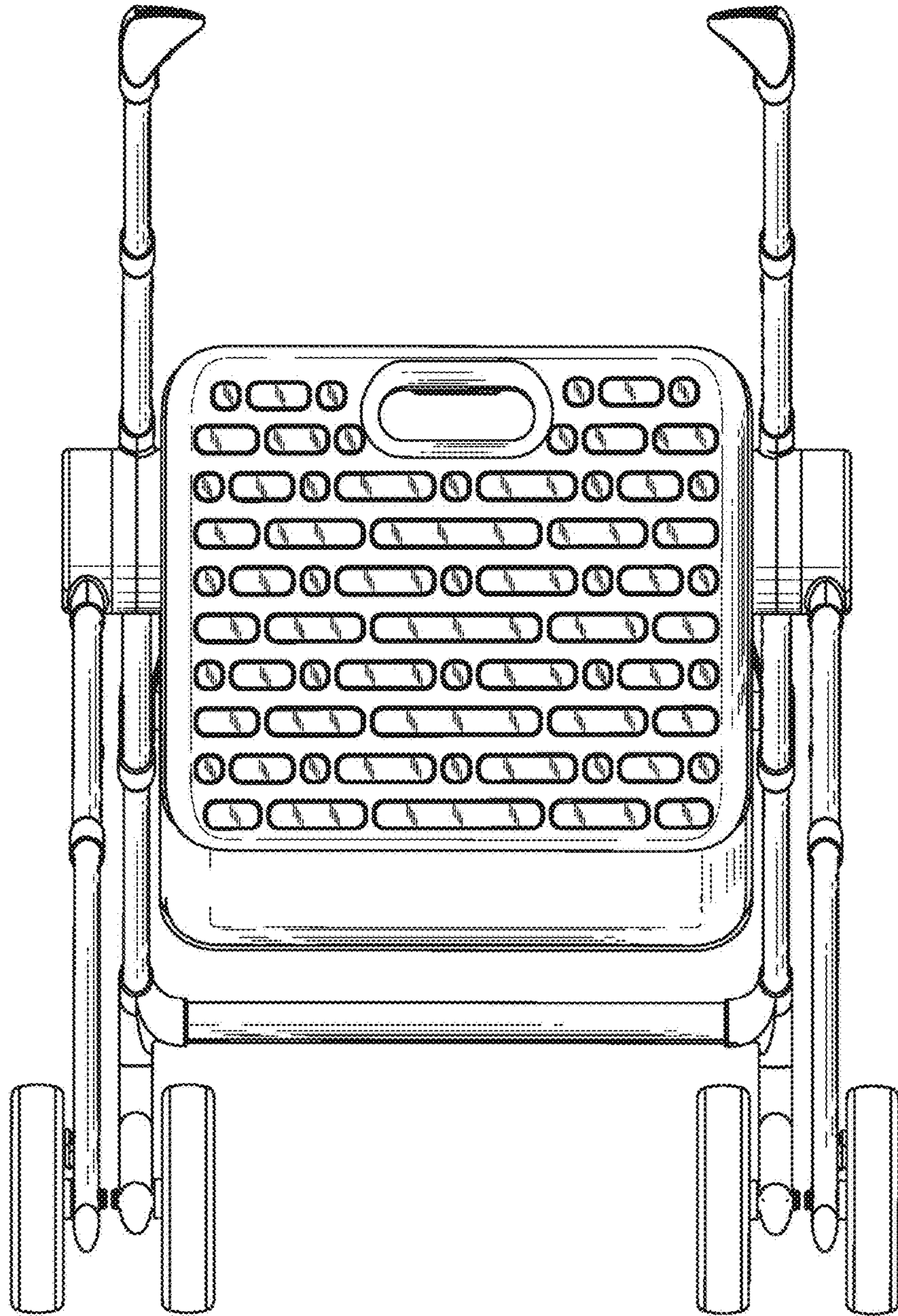


FIG. 12

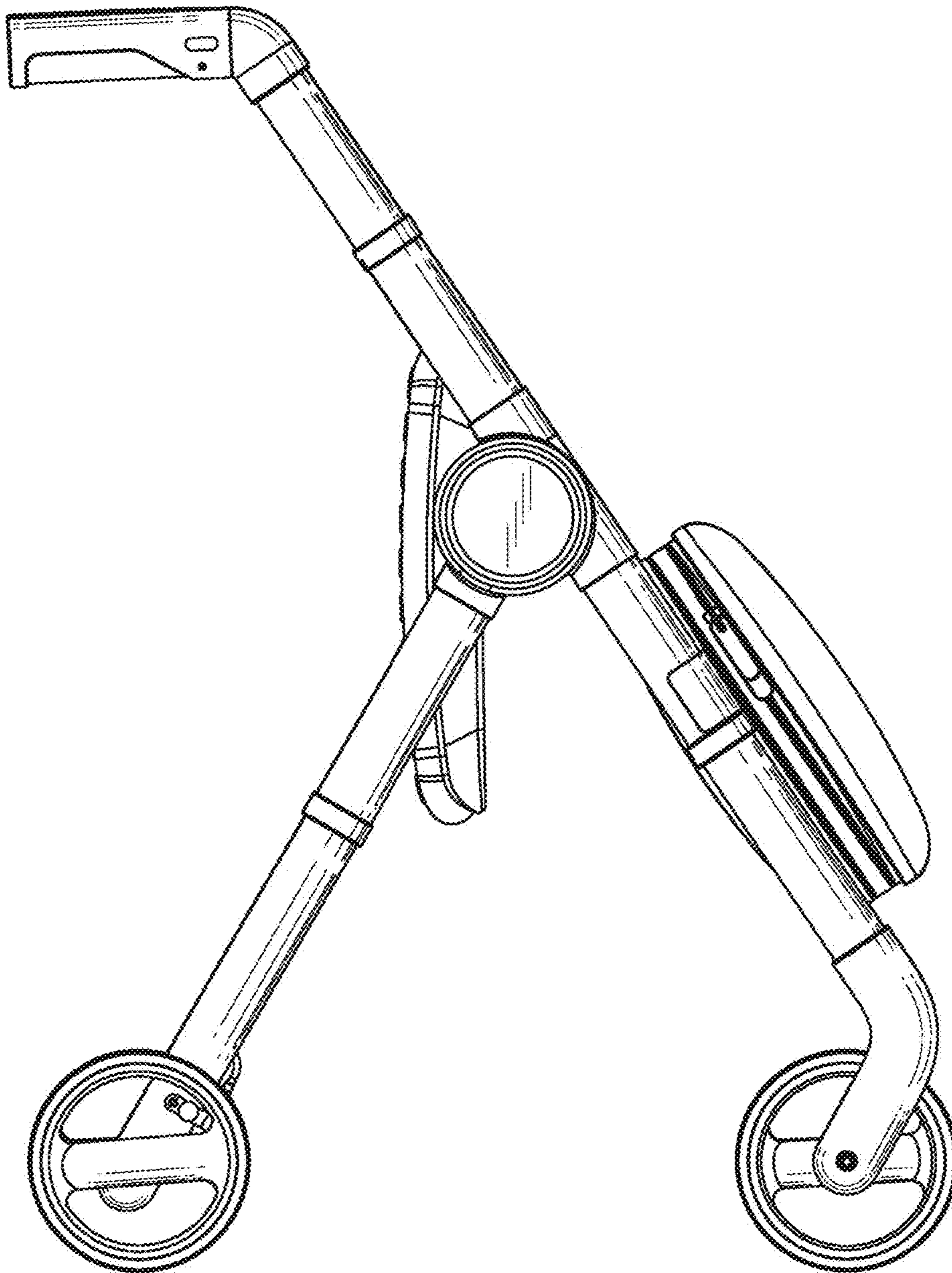


FIG. 13

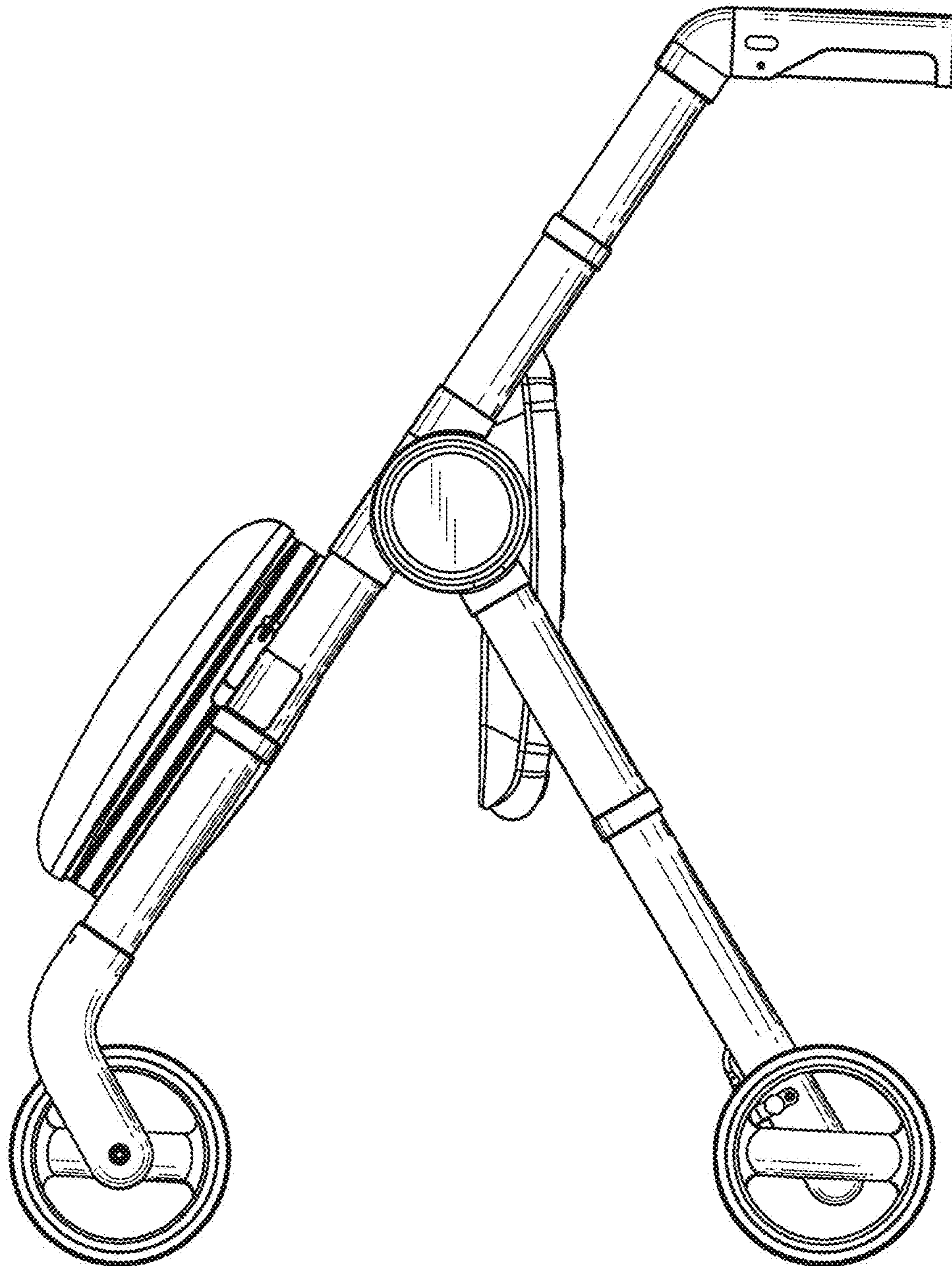


FIG. 14

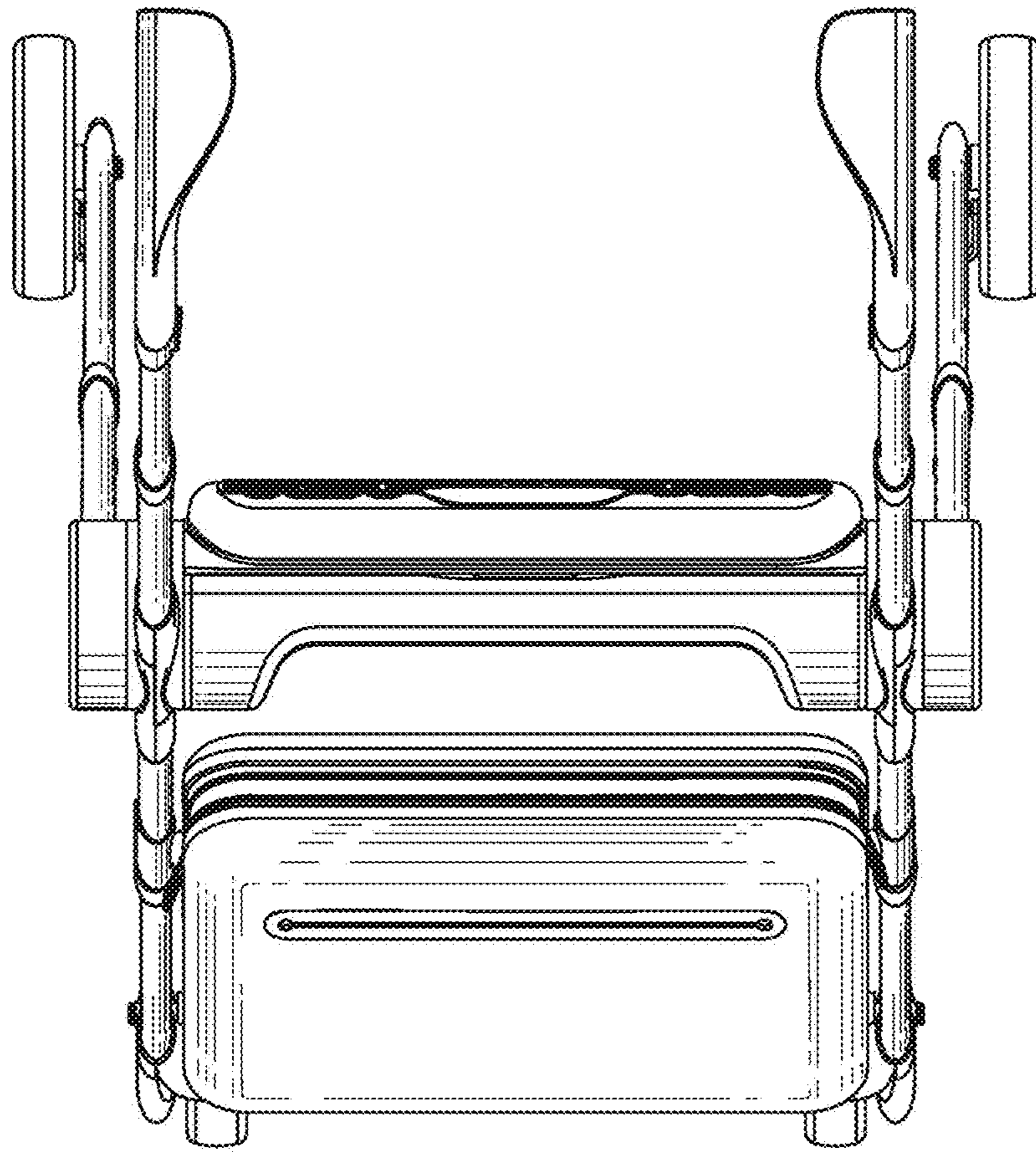


FIG. 15

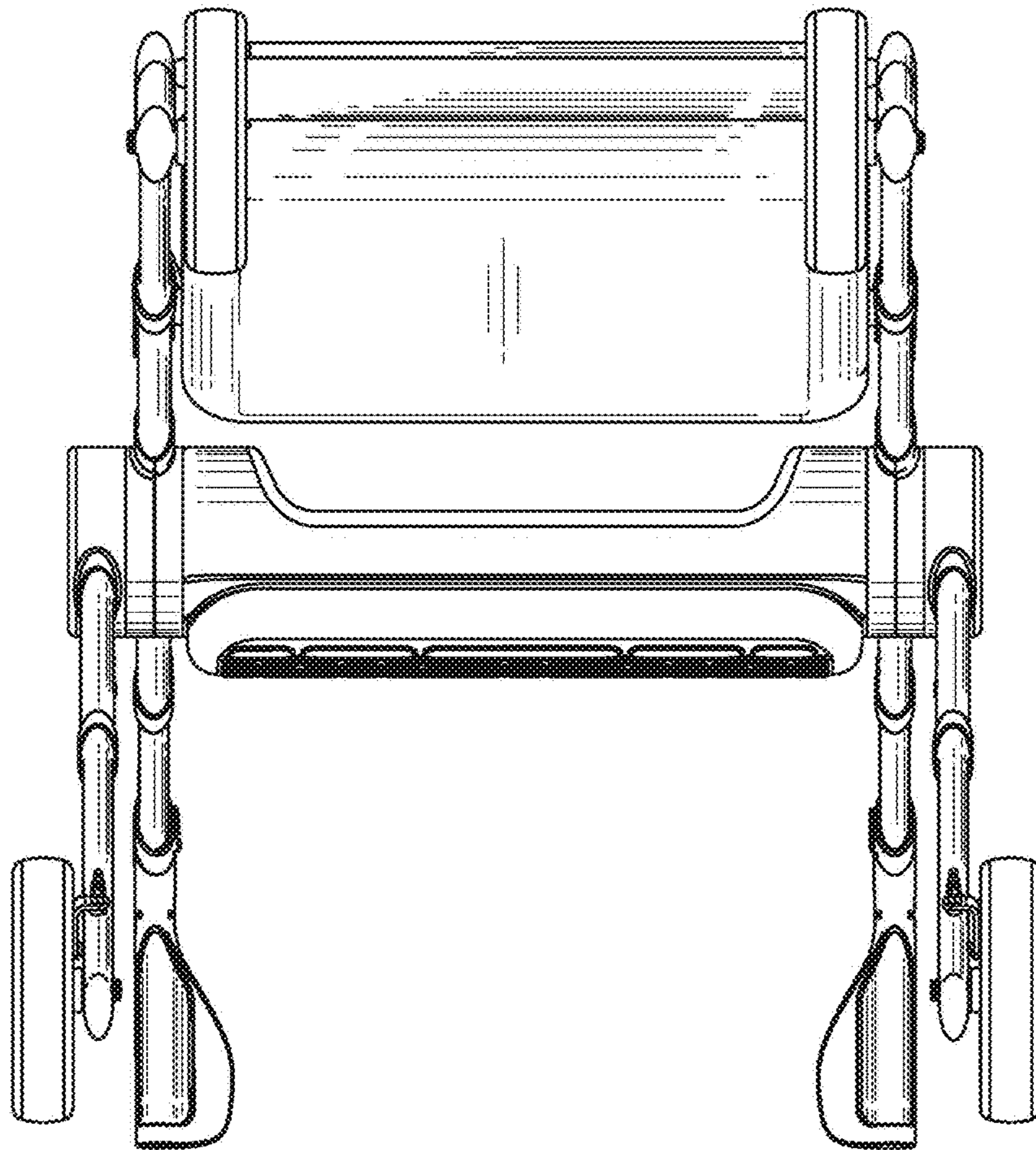


FIG. 16

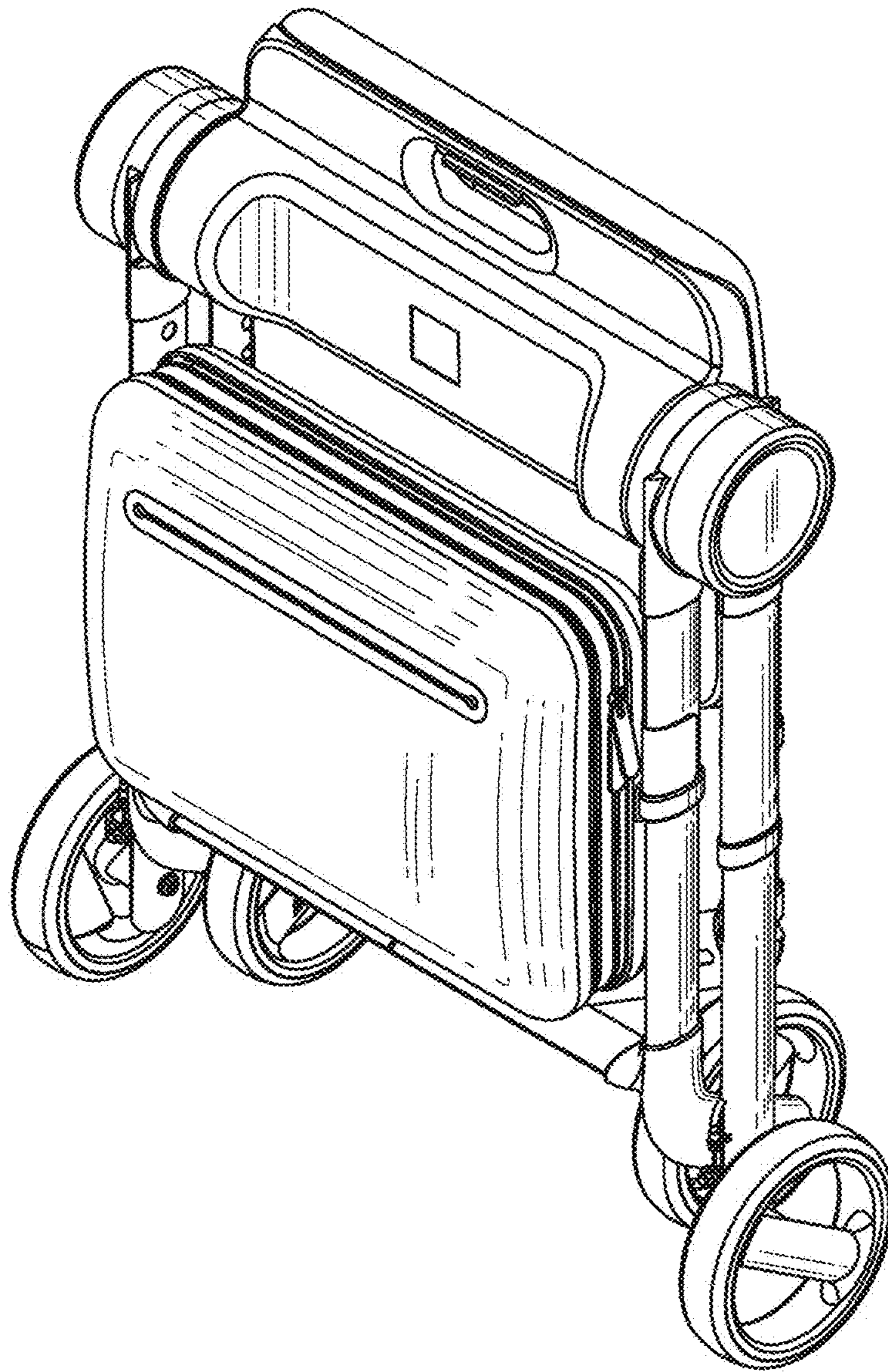


FIG. 17

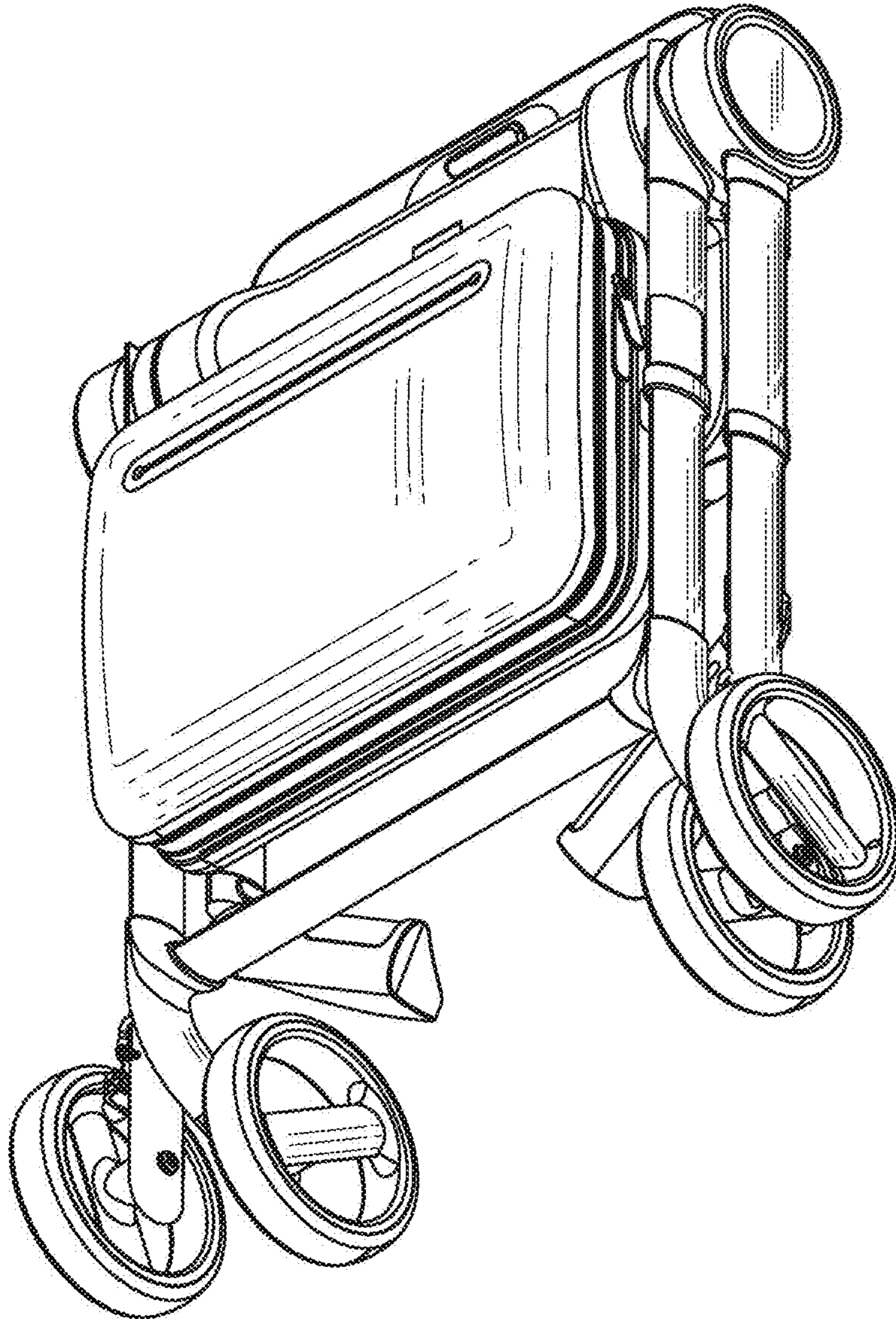


FIG. 18

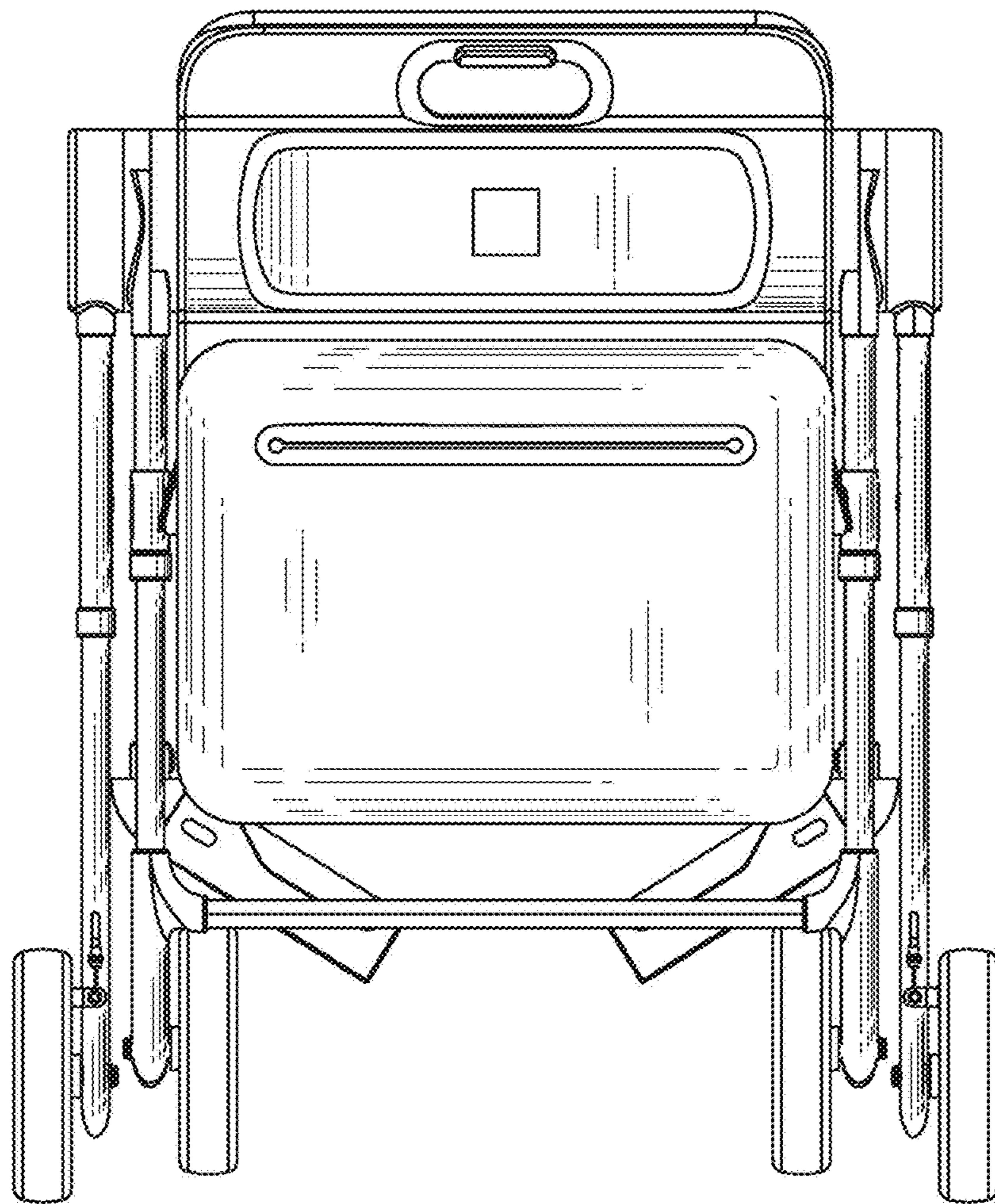


FIG. 19

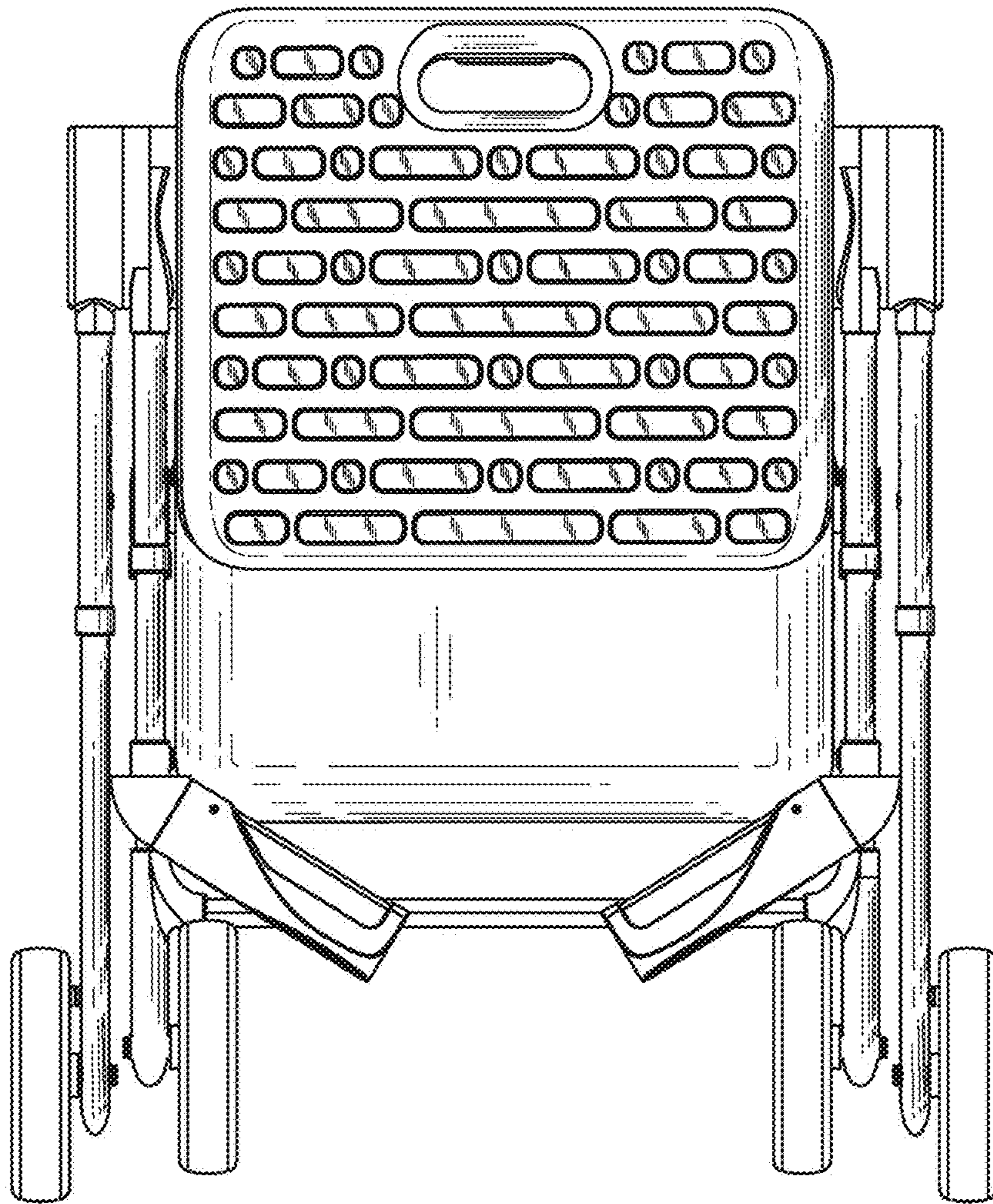


FIG. 20

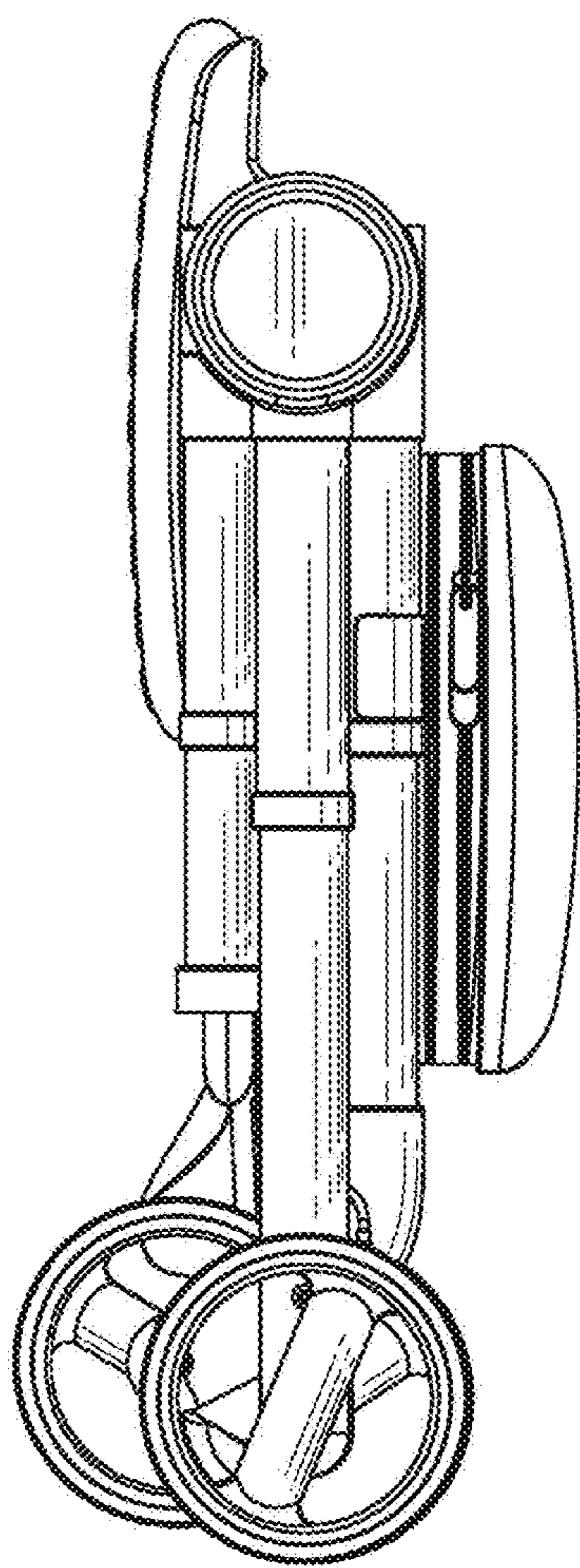


FIG. 21

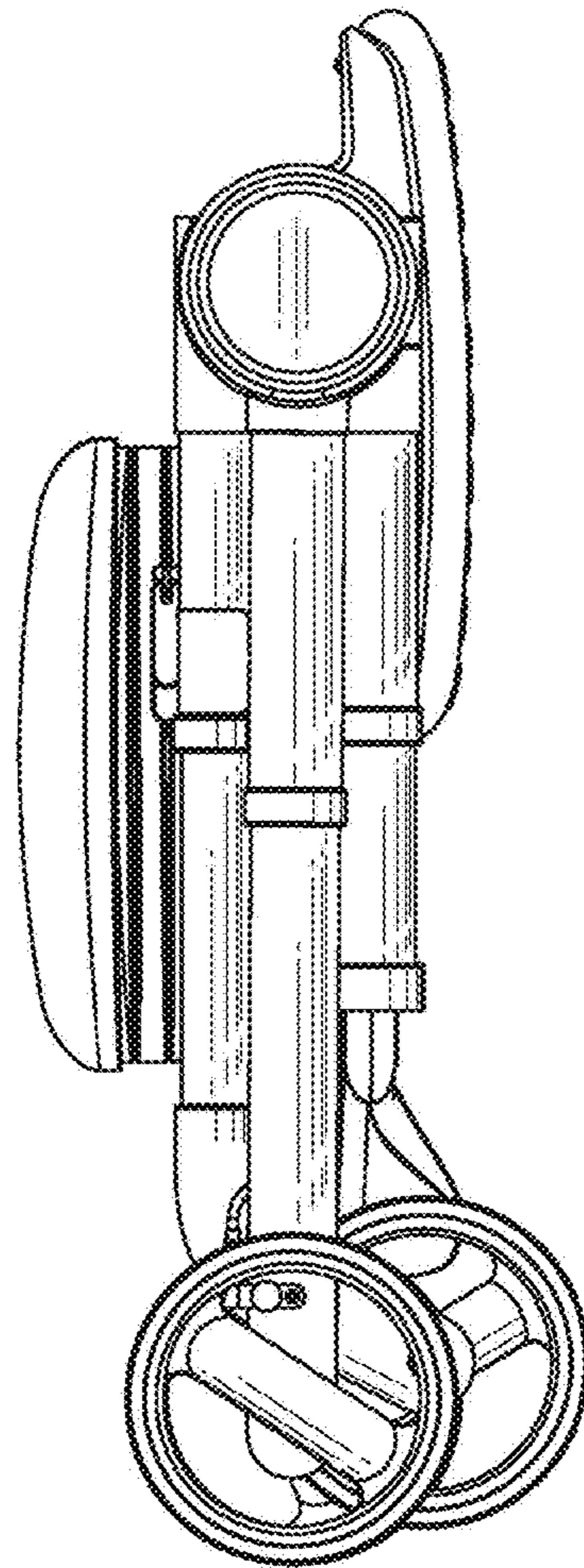


FIG. 22

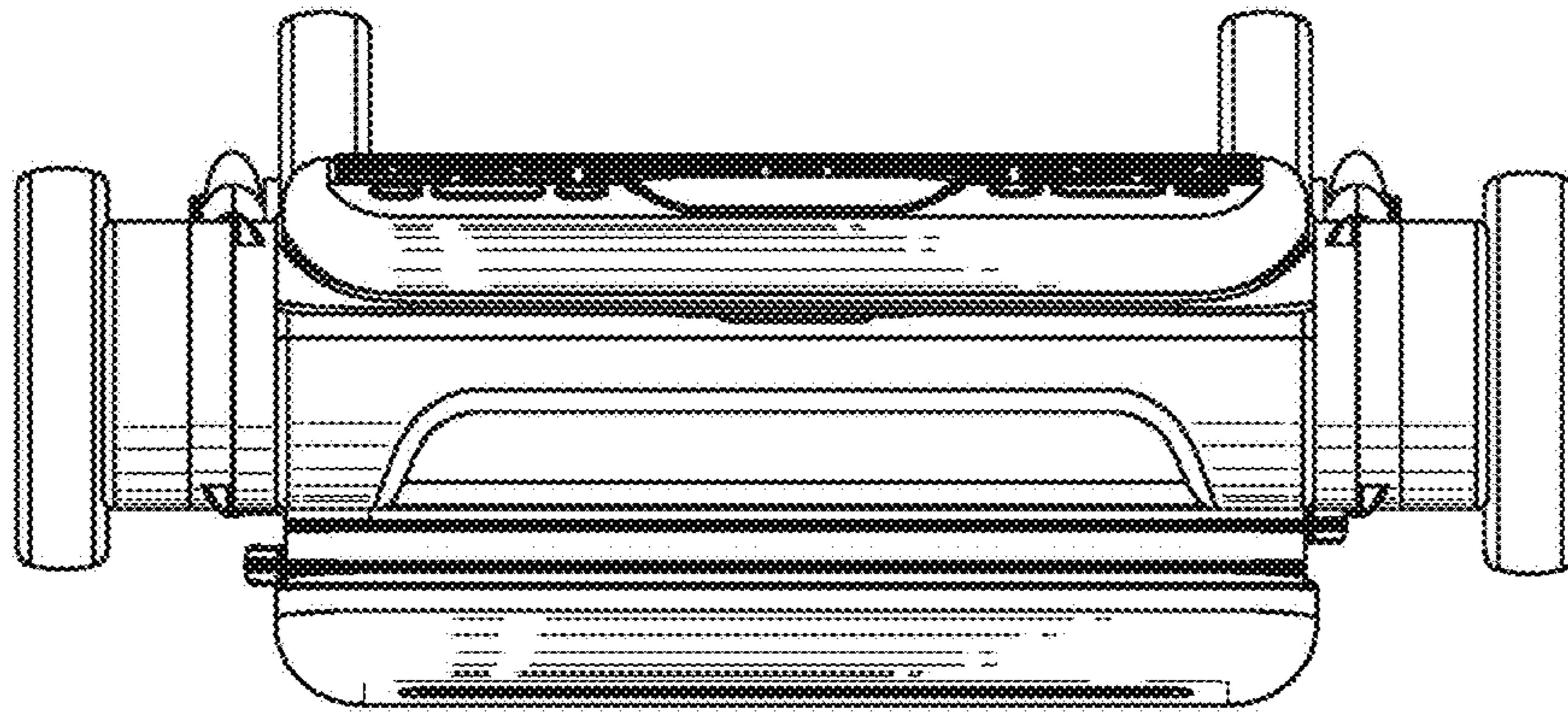


FIG. 23

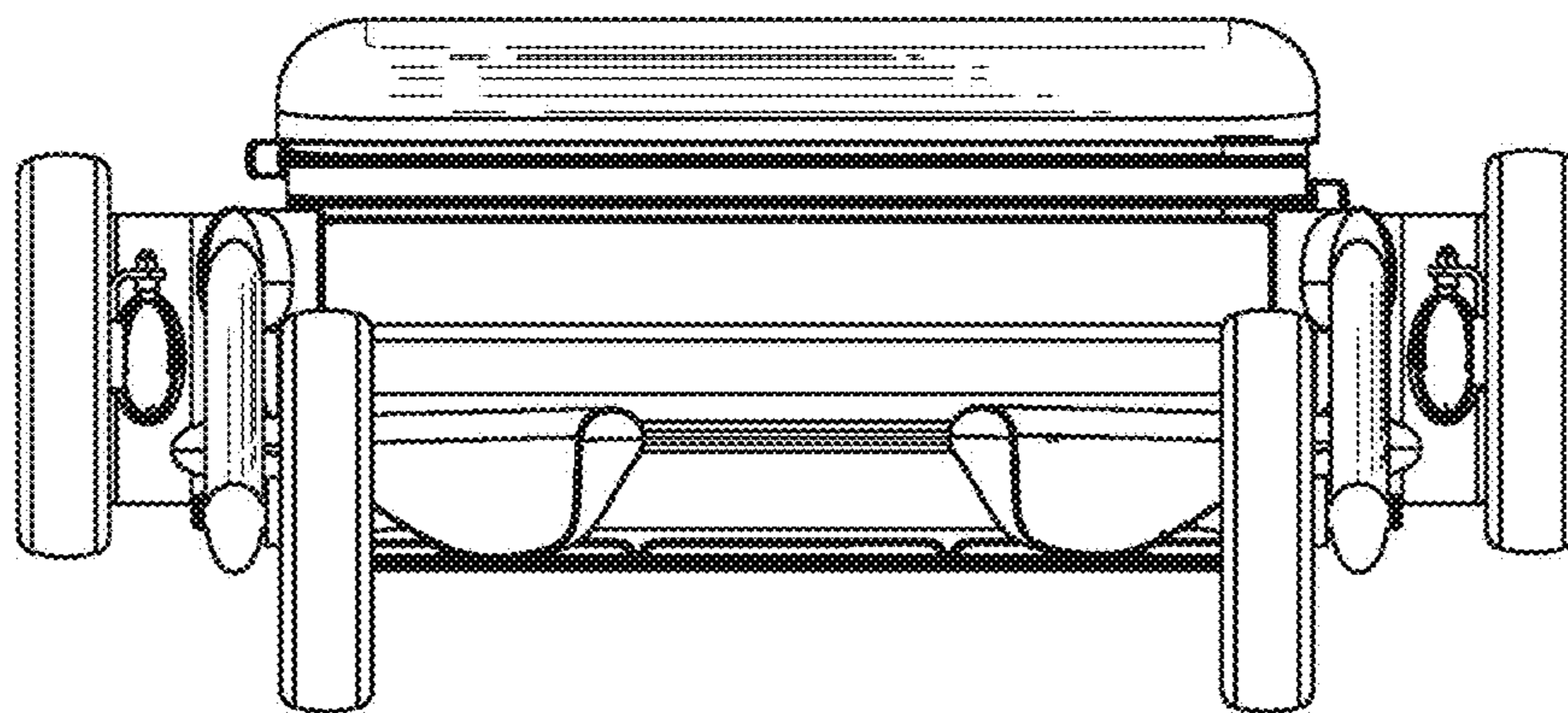


FIG. 24