



US00D807792S

(12) **United States Design Patent**  
**Lai**

(10) **Patent No.:** **US D807,792 S**  
(45) **Date of Patent:** **\*\* Jan. 16, 2018**

- (54) **TWIN BABY CARRIAGE**
- (71) Applicant: **TUNG TZU INDUSTRIAL CO., LTD.**, Tainan (TW)
- (72) Inventor: **Chin-I Lai**, Tainan (TW)
- (73) Assignee: **Tung Tzu Industrial Co., Ltd.**, Tainan (TW)
- (\*\*) Term: **15 Years**
- (21) Appl. No.: **29/583,392**
- (22) Filed: **Nov. 4, 2016**
- (51) **LOC (11) Cl.** ..... **12-12**
- (52) **U.S. Cl.**  
USPC ..... **D12/129**
- (58) **Field of Classification Search**  
USPC ..... D12/128-133  
CPC ..... B62B 7/00-7/04; B62B 9/00-9/28  
See application file for complete search history.

- D616,339 S \* 5/2010 Kho ..... D12/129
- D643,786 S \* 8/2011 Barenbrug ..... D12/129
- D672,692 S \* 12/2012 Jane Santamaria ..... D12/129
- D715,702 S \* 10/2014 Chen ..... D12/129
- D721,015 S \* 1/2015 Bassan ..... D12/129
- D737,733 S \* 9/2015 Zhong ..... D12/129
- D742,792 S \* 11/2015 Goldberg ..... D12/129
- D765,555 S \* 9/2016 Lai ..... D12/129

\* cited by examiner

*Primary Examiner* — Charles Hanson  
(74) *Attorney, Agent, or Firm* — Muncy, Geissler, Olds & Lowe, P.C.

(57) **CLAIM**

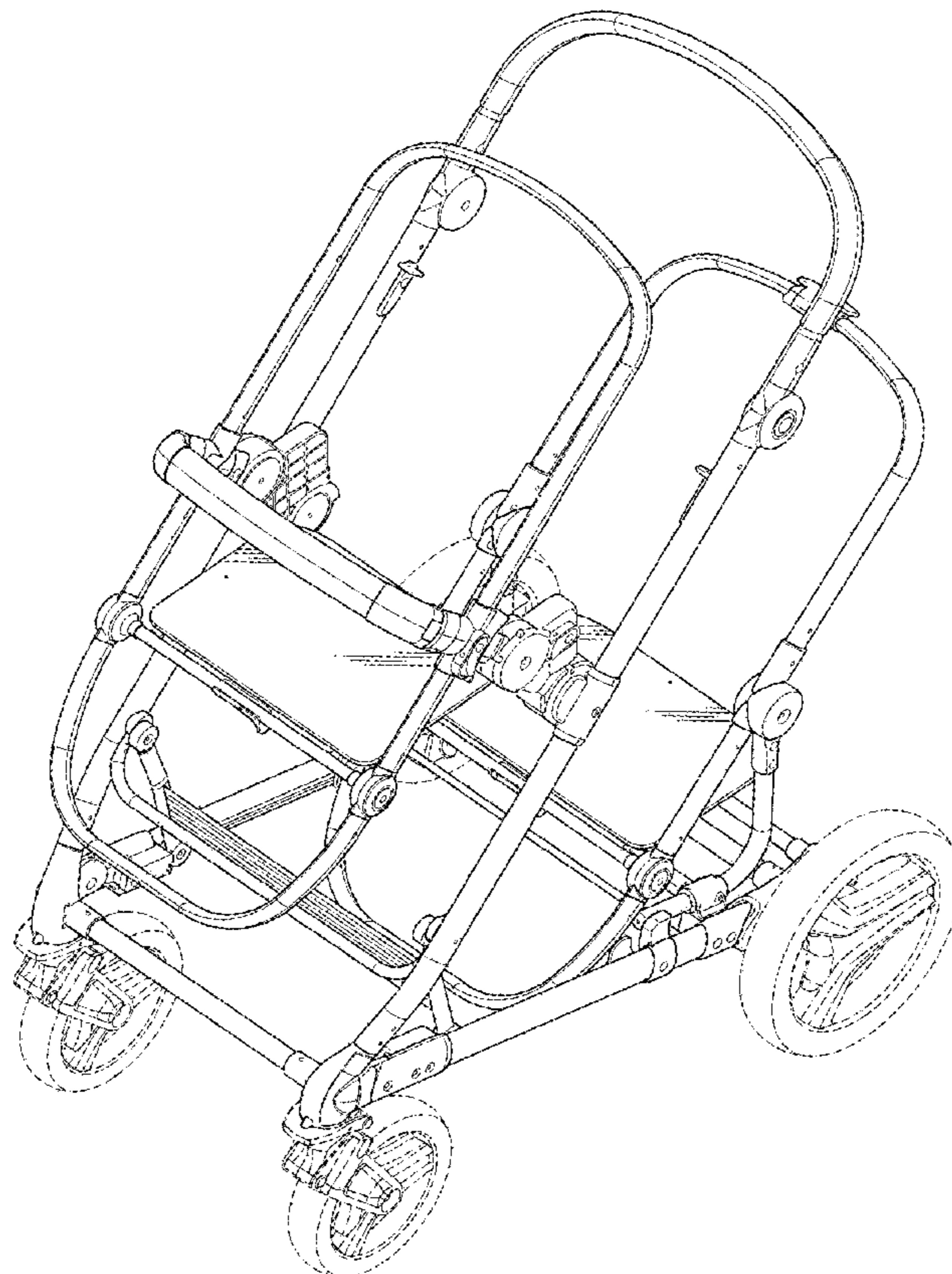
The ornamental design for a “twin baby carriage,” as shown and described.

**DESCRIPTION**

FIG. 1 is a perspective view of a twin baby carriage showing my new design thereof;  
FIG. 2 is a front elevational view thereof;  
FIG. 3 is a rear elevational view thereof;  
FIG. 4 is a left side elevational view thereof;  
FIG. 5 is a right side elevational view thereof;  
FIG. 6 is a top plan view thereof; and,  
FIG. 7 is a bottom plan view thereof.  
The broken lines are for the purpose of illustrating portions of the twin baby carriage which form no part of the claimed design.

**1 Claim, 7 Drawing Sheets**

- (56) **References Cited**  
U.S. PATENT DOCUMENTS  
D566,013 S \* 4/2008 Wang ..... D12/129  
D579,827 S \* 11/2008 Lake ..... D12/129  
D580,306 S \* 11/2008 Chen ..... D12/129  
D580,828 S \* 11/2008 Chen ..... D12/129



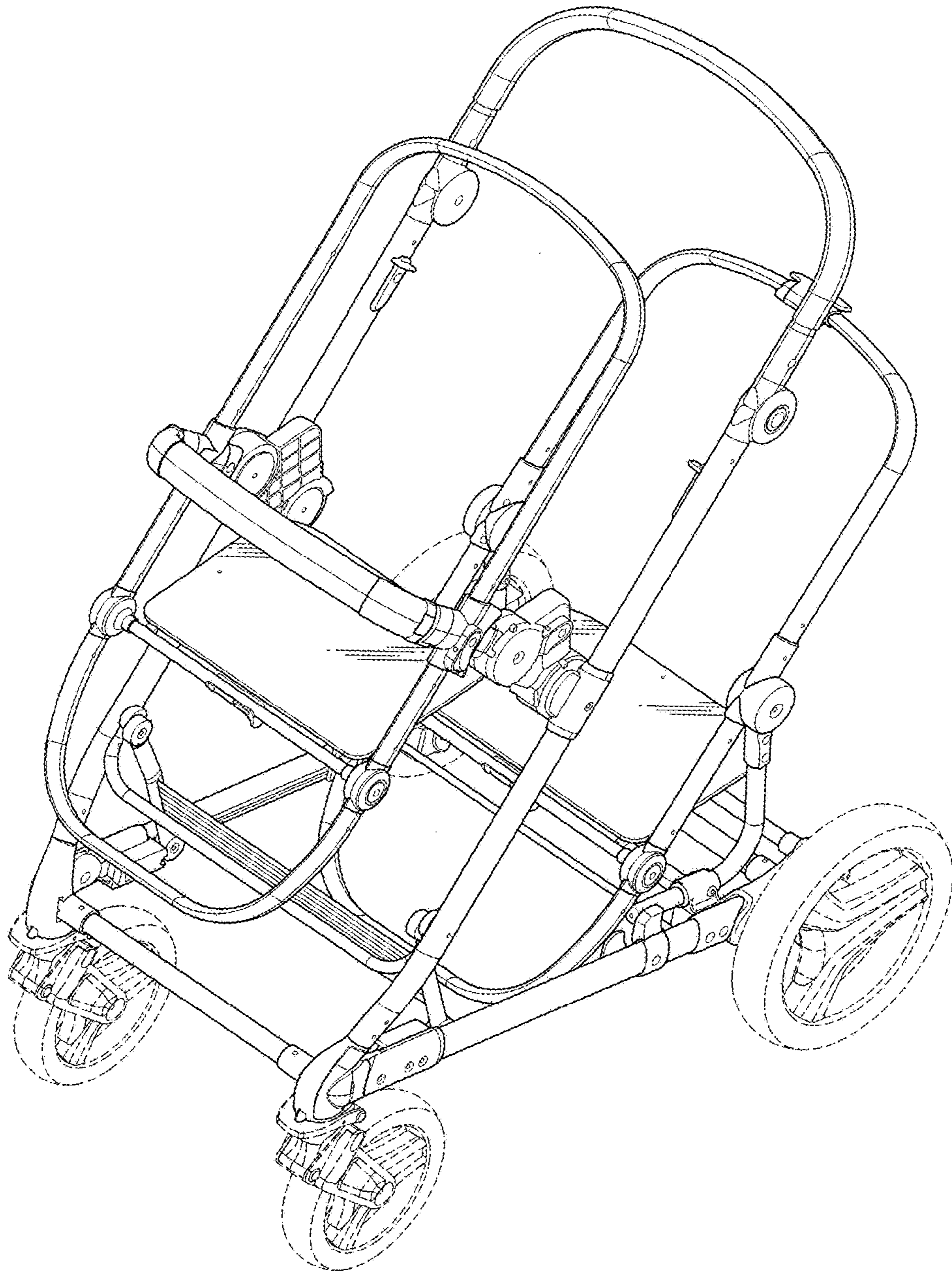


Fig. 1

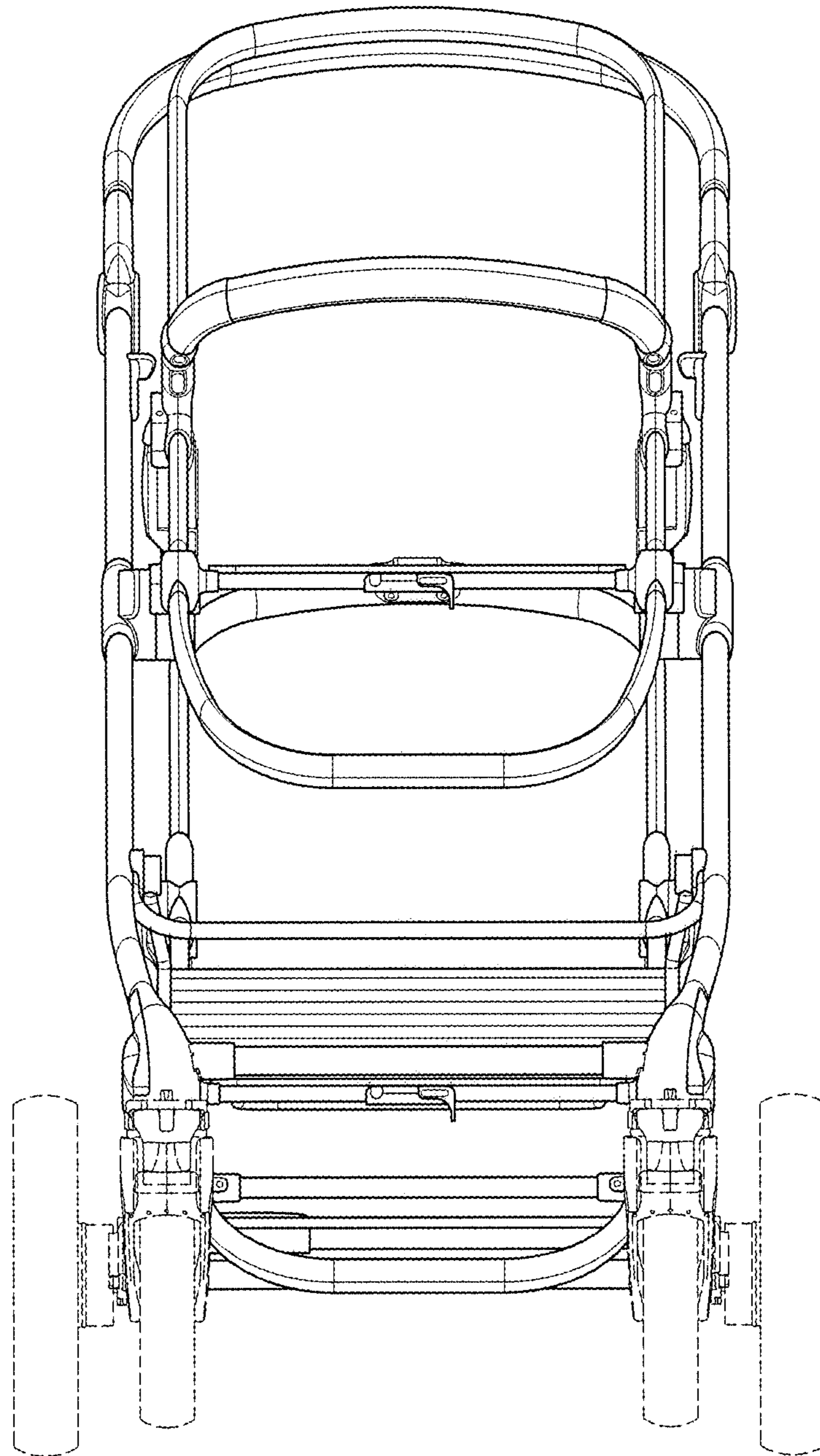


Fig. 2



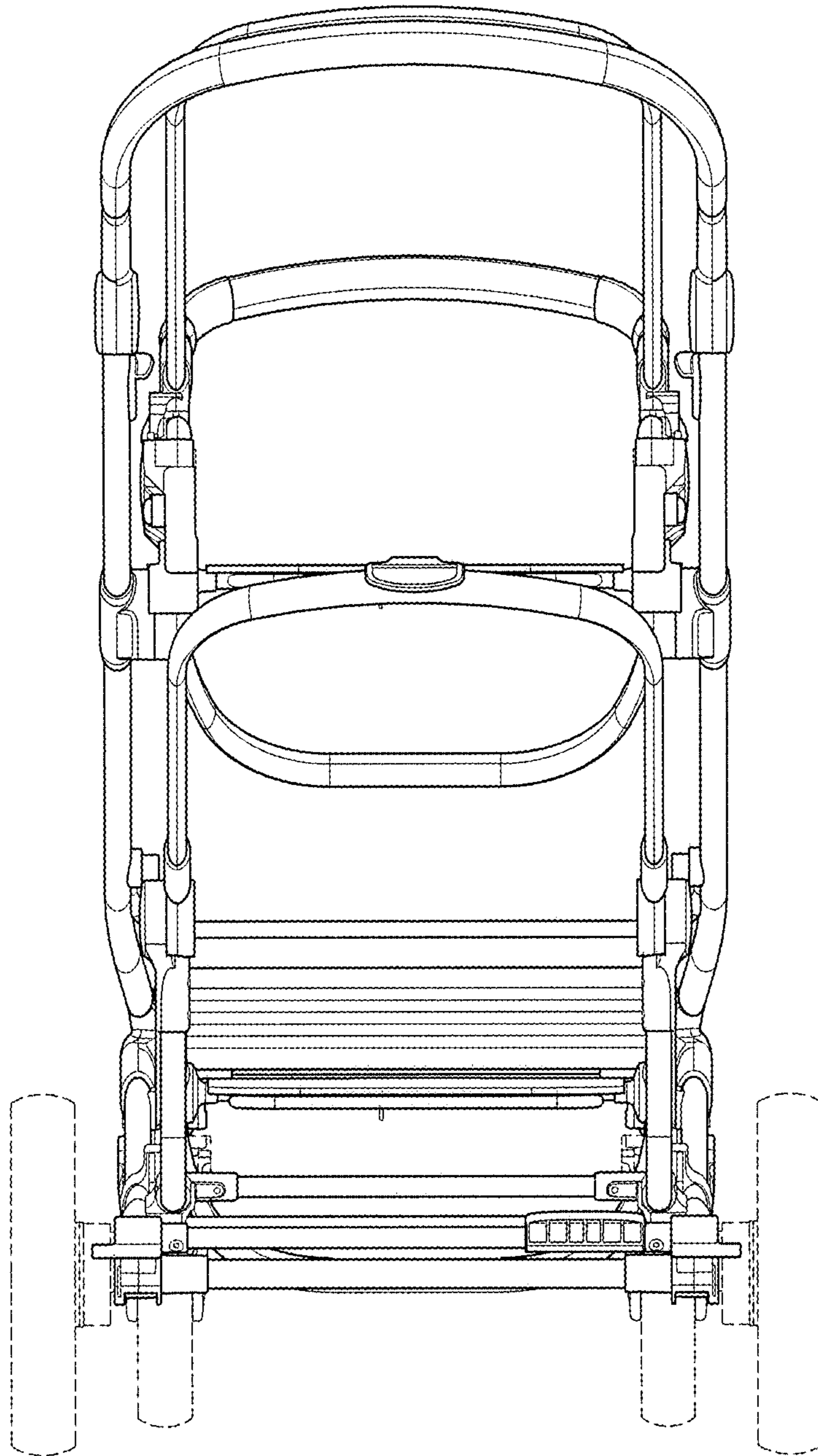


Fig. 3

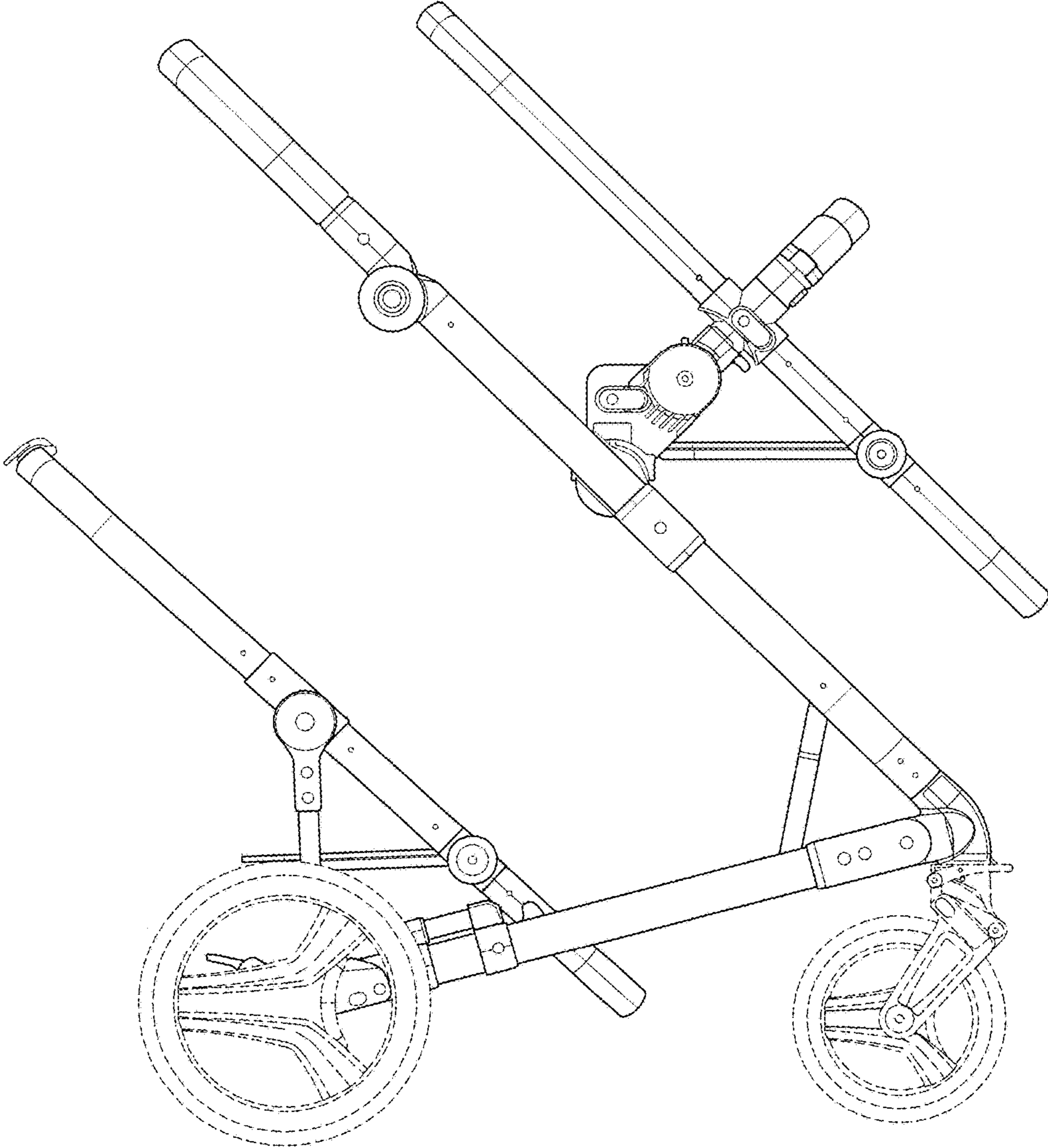


Fig. 4

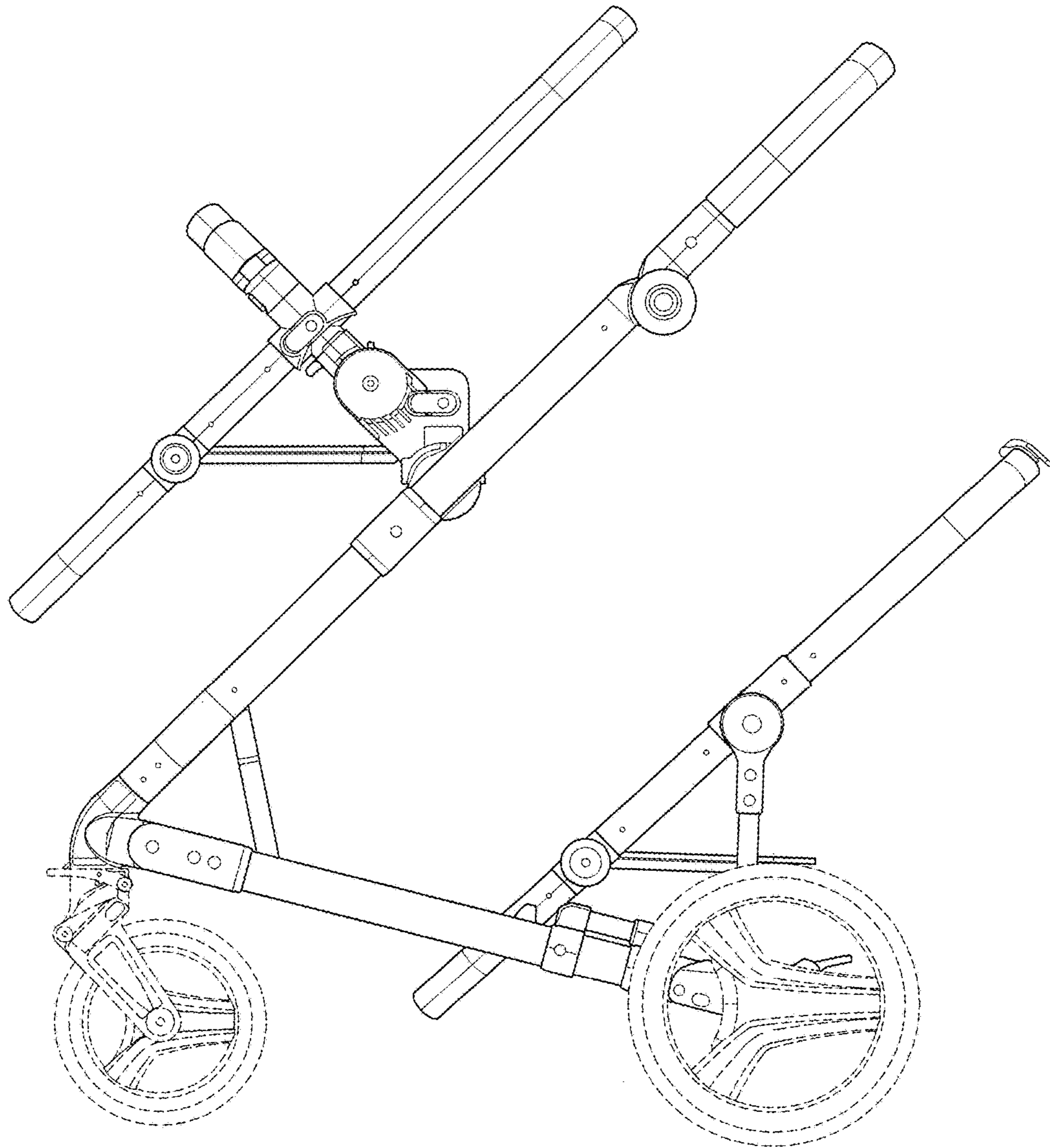


Fig. 5

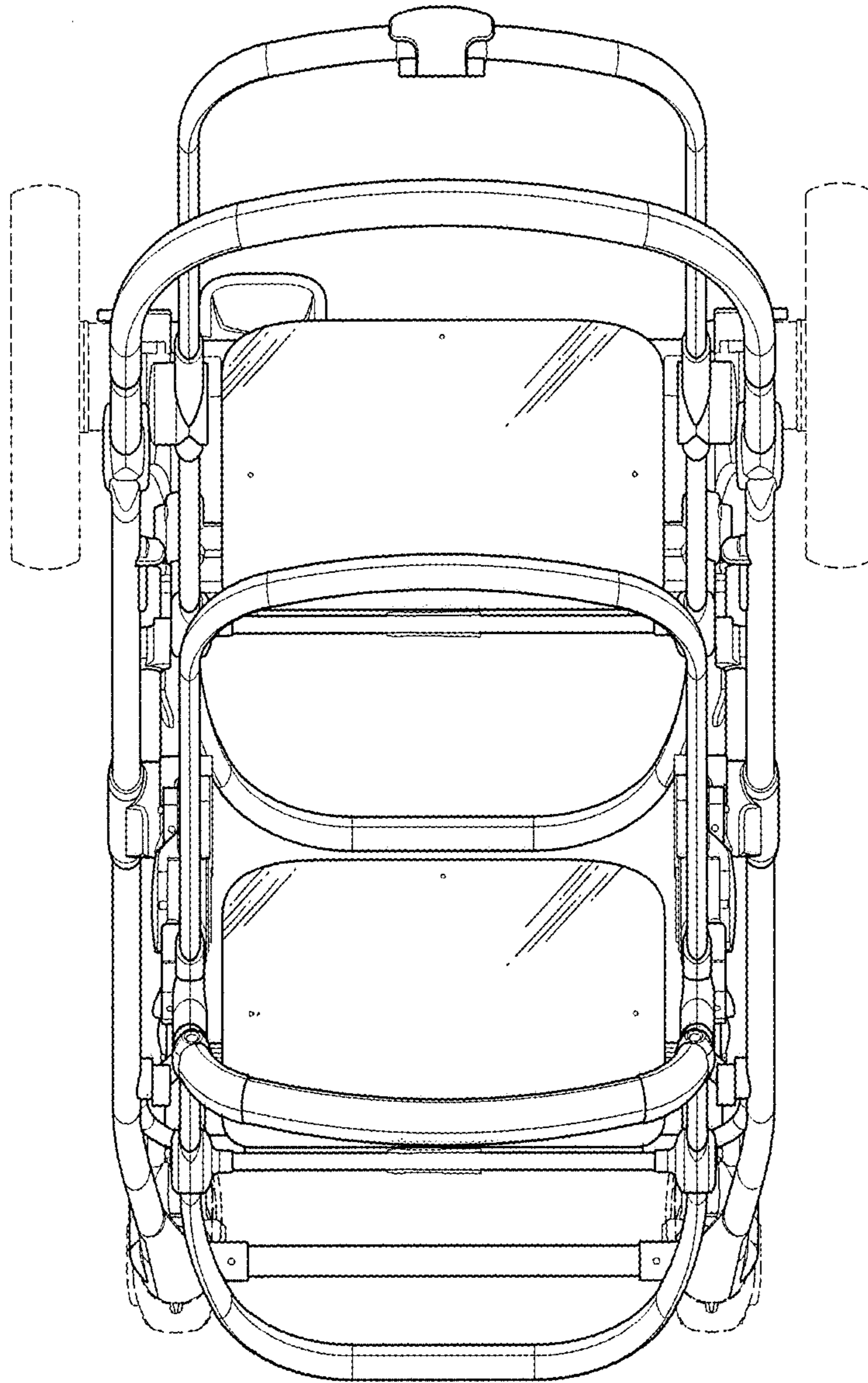


Fig. 6



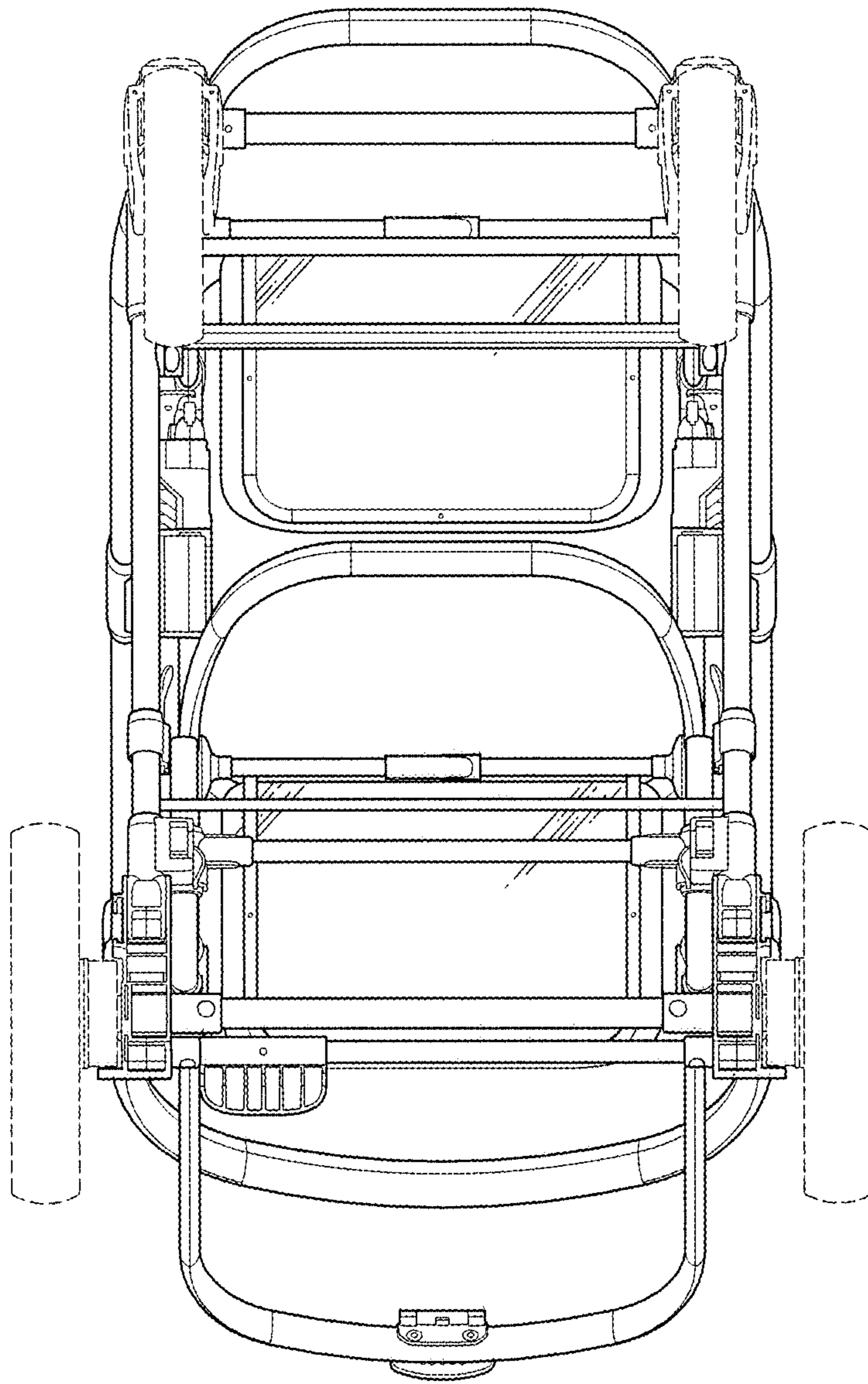


Fig. 7