



US00D807789S

(12) **United States Design Patent**
Wheel

(10) **Patent No.:** **US D807,789 S**
(45) **Date of Patent:** **** Jan. 16, 2018**

(54) **VEHICLE**

(71) Applicant: **Jaguar Land Rover Limited**, Whitley,
Coventry (GB)

(72) Inventor: **Andrew Wheel**, Coventry (GB)

(73) Assignee: **Jaguar Land Rover Limited**, Whitley,
Coventry (GB)

(**) Term: **15 Years**

(21) Appl. No.: **29/594,105**

(22) Filed: **Feb. 15, 2017**

Related U.S. Application Data

(62) Division of application No. 29/527,455, filed on May
19, 2015, now Pat. No. Des. 782,936.

(30) **Foreign Application Priority Data**

Nov. 21, 2014 (EM) 002583138-0001
Nov. 24, 2014 (EM) 002583138-0002
Dec. 12, 2014 (EM) 002596593-0001
Dec. 12, 2014 (EM) 002596593-0002
Feb. 27, 2015 (EM) 002642801-0001
Feb. 27, 2015 (EM) 002642801-0002

(51) **LOC (11) Cl.** **12-08**

(52) **U.S. Cl.**
USPC **D12/91**

(58) **Field of Classification Search**
USPC D12/86, 90-92, 88; D21/421, 433, 434;
296/181.1, 181.5
CPC B62D 35/00; B62D 25/00; B62D 25/06;
B62D 33/00
See application file for complete search history.

(56) **References Cited**

U.S. PATENT DOCUMENTS

D684,093 S * 6/2013 Woolley D12/91
D684,094 S * 6/2013 Le Grice D12/91

D716,695 S * 11/2014 Woolley D12/91
D718,188 S * 11/2014 Wheel D12/91
D735,610 S * 8/2015 Wheel D12/91
D746,722 S * 1/2016 Henstridge D12/91
D750,531 S * 3/2016 Watkins D12/91
D750,532 S * 3/2016 Frascella D12/91
D782,936 S * 4/2017 Wheel D12/91
D782,937 S * 4/2017 Wheel D12/91

(Continued)

Primary Examiner — Melody N Brown

(74) *Attorney, Agent, or Firm* — Wood Herron & Evans
LLP

(57) **CLAIM**

The ornamental design for a vehicle, as shown and
described.

DESCRIPTION

FIG. 1 is a right, front perspective view of a vehicle showing
my new design;
FIG. 2 is a front view thereof.
FIG. 3 is a rear view thereof.
FIG. 4 is a left side view thereof.
FIG. 5 is a right side view thereof.
FIG. 6 is a top view thereof.
FIG. 7 is a left, front perspective view thereof with the top
in down position;
FIG. 8 is a front view of FIG. 7;
FIG. 9 is a rear view of FIG. 7.
FIG. 10 is a left side view of FIG. 7.
FIG. 11 is a right side view of FIG. 7; and,
FIG. 12 is a top view of FIG. 7.

Any elements shown in broken lines form no part of the
claimed invention, and are instead included to show envi-
ronmental aspects of the claimed invention. Also, broken
lines shown adjacent to any shaded portions form an
unclaimed boundary of the design.

1 Claim, 8 Drawing Sheets



(56)

References Cited

U.S. PATENT DOCUMENTS

D791,645 S * 7/2017 Henstridge D12/91
D793,907 S * 8/2017 Woolley D12/91

* cited by examiner

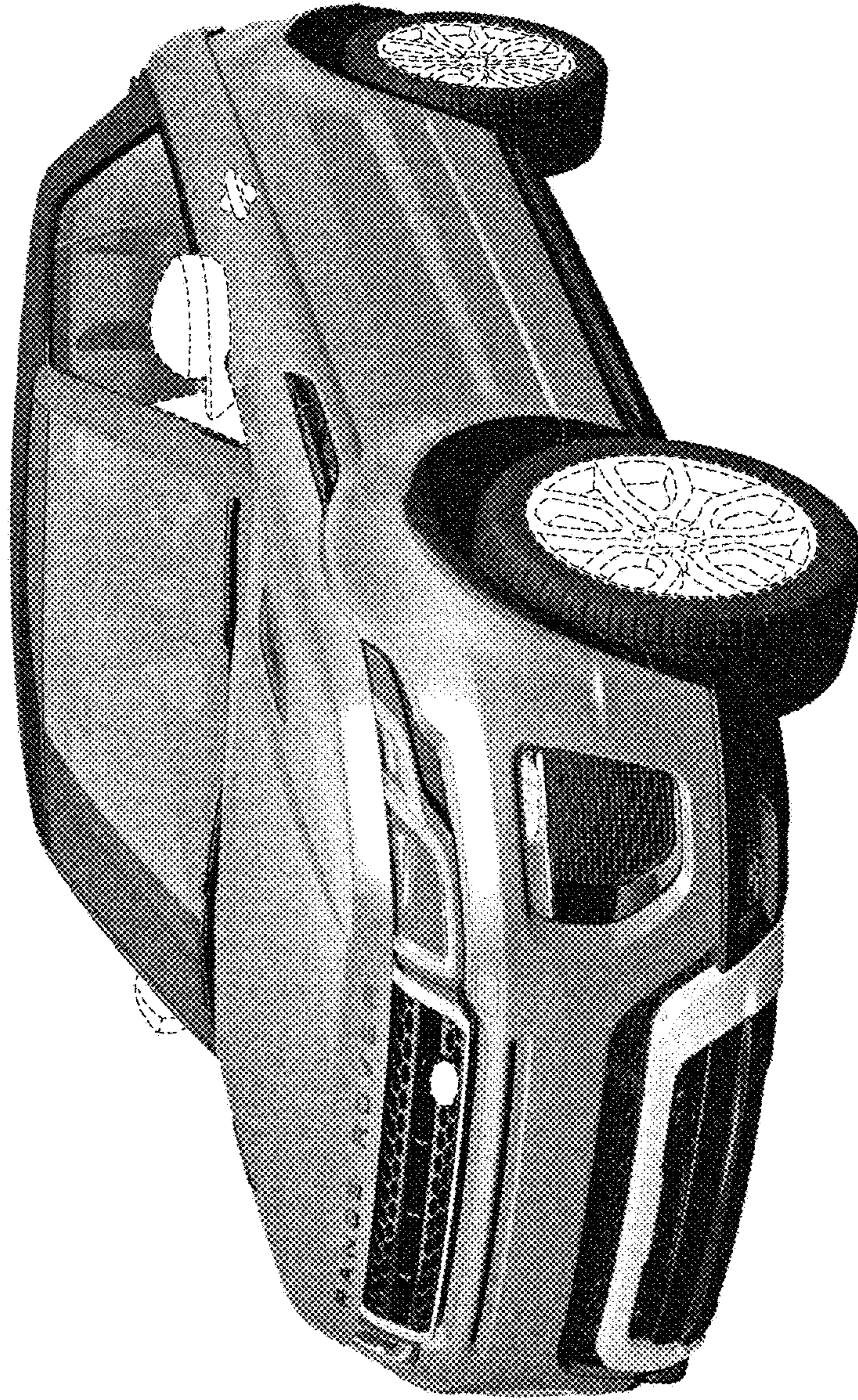


FIG. 1



FIG. 2

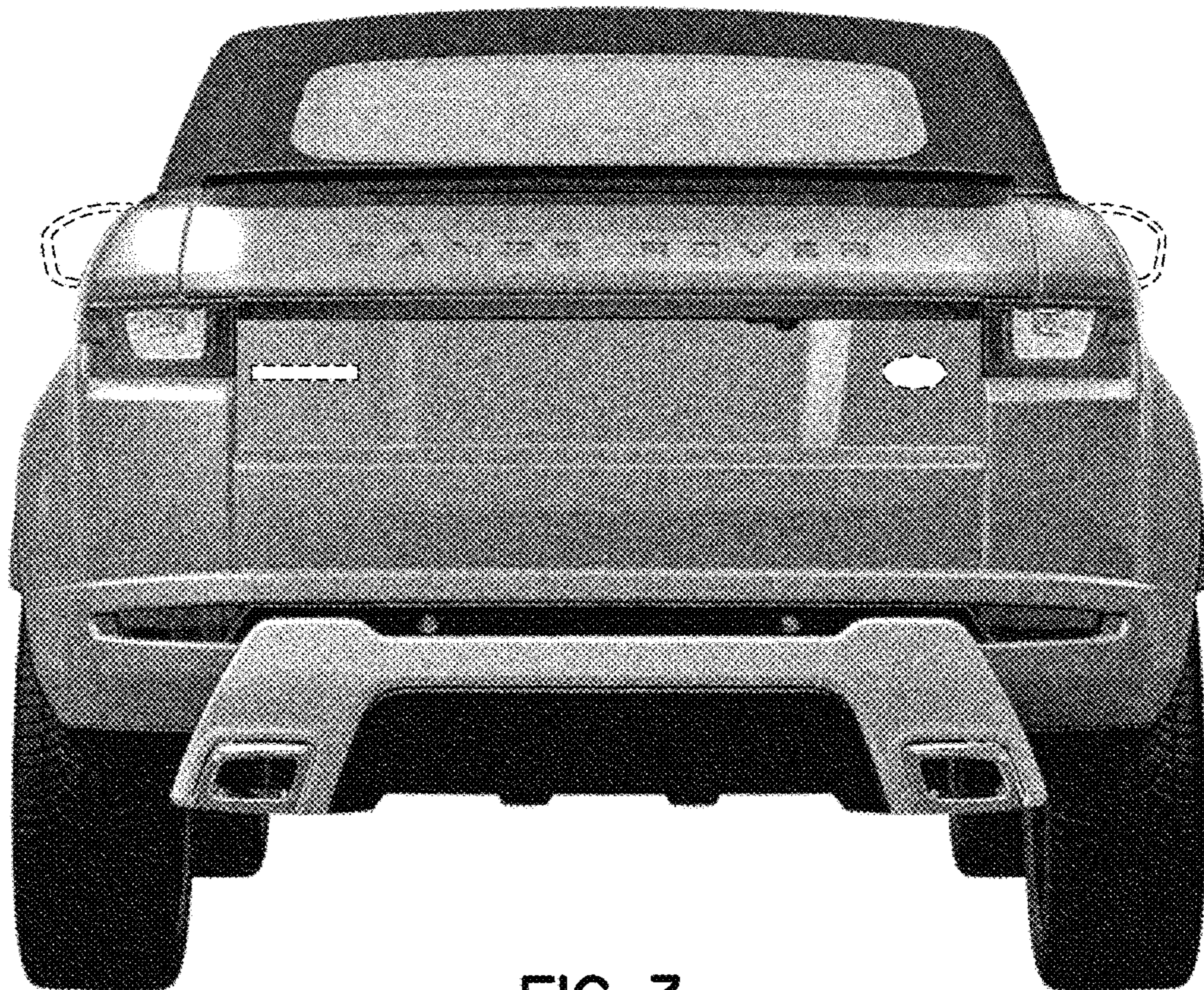


FIG. 3

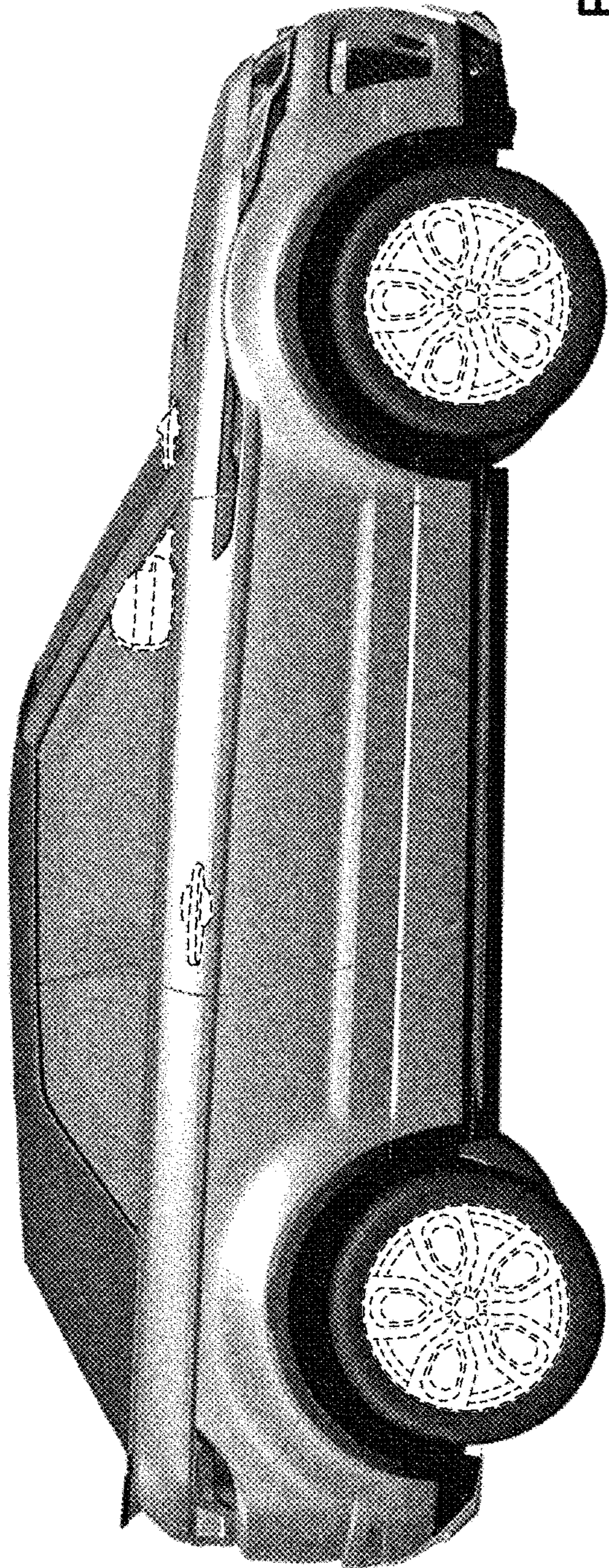


FIG. 4

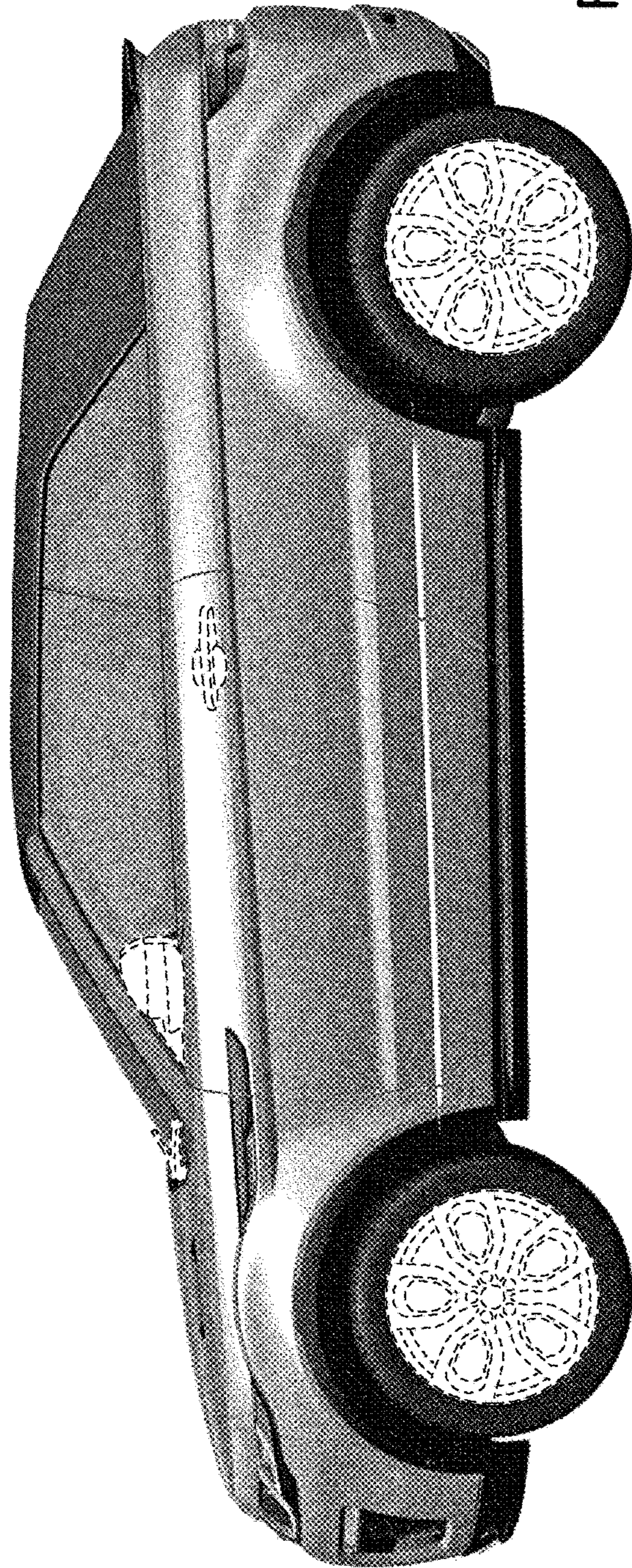


FIG. 5

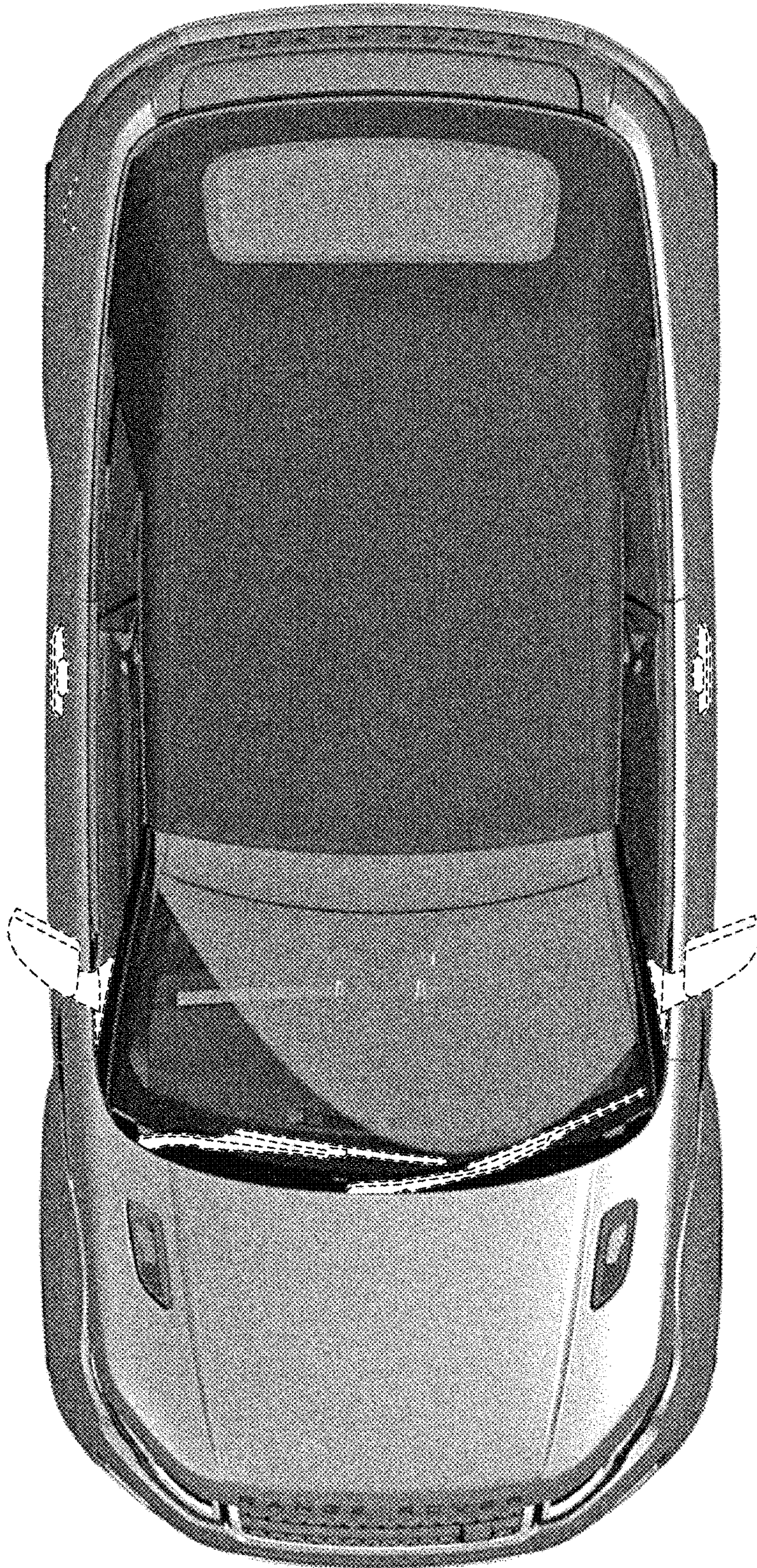


FIG. 6

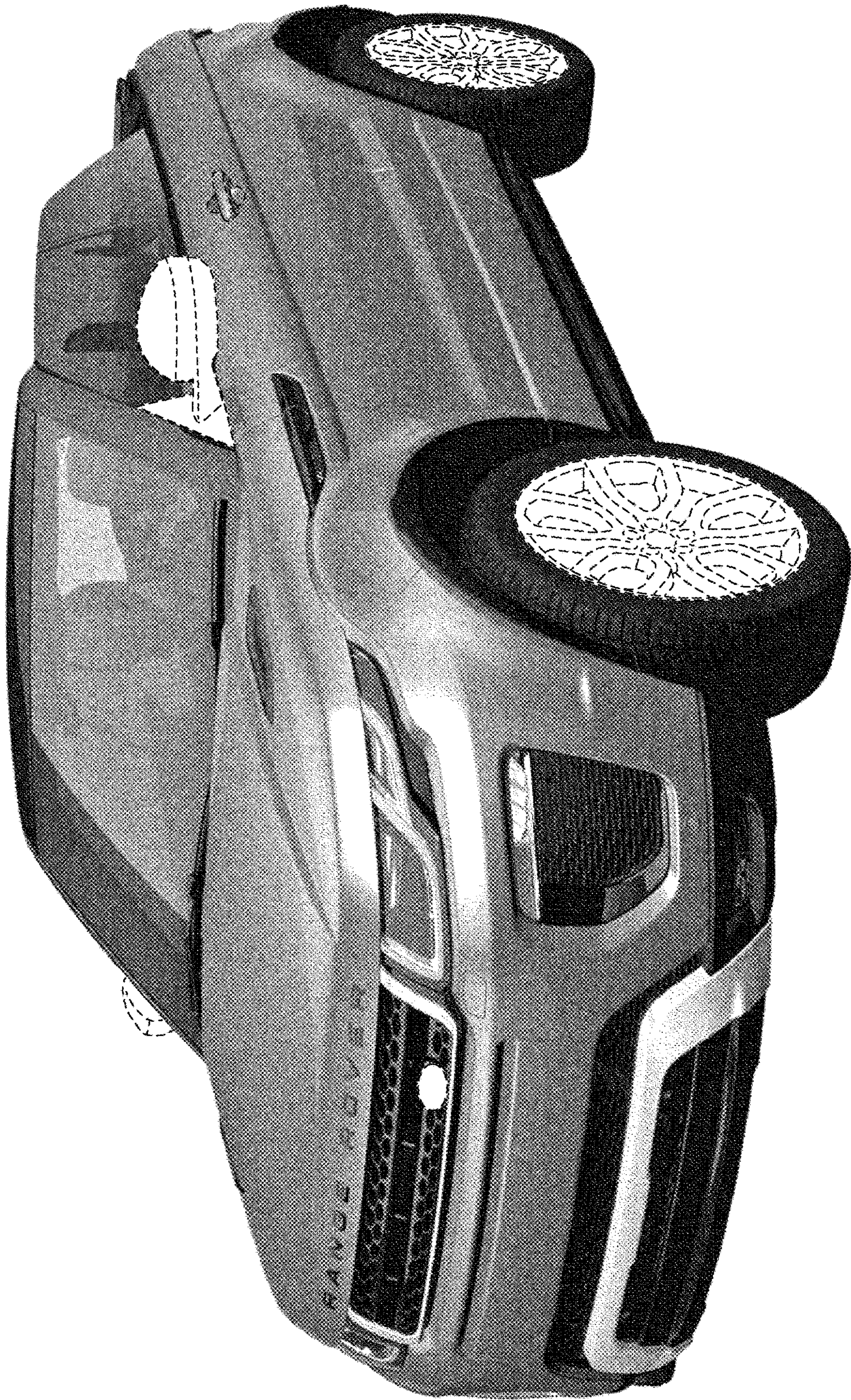


FIG. 7



FIG. 8

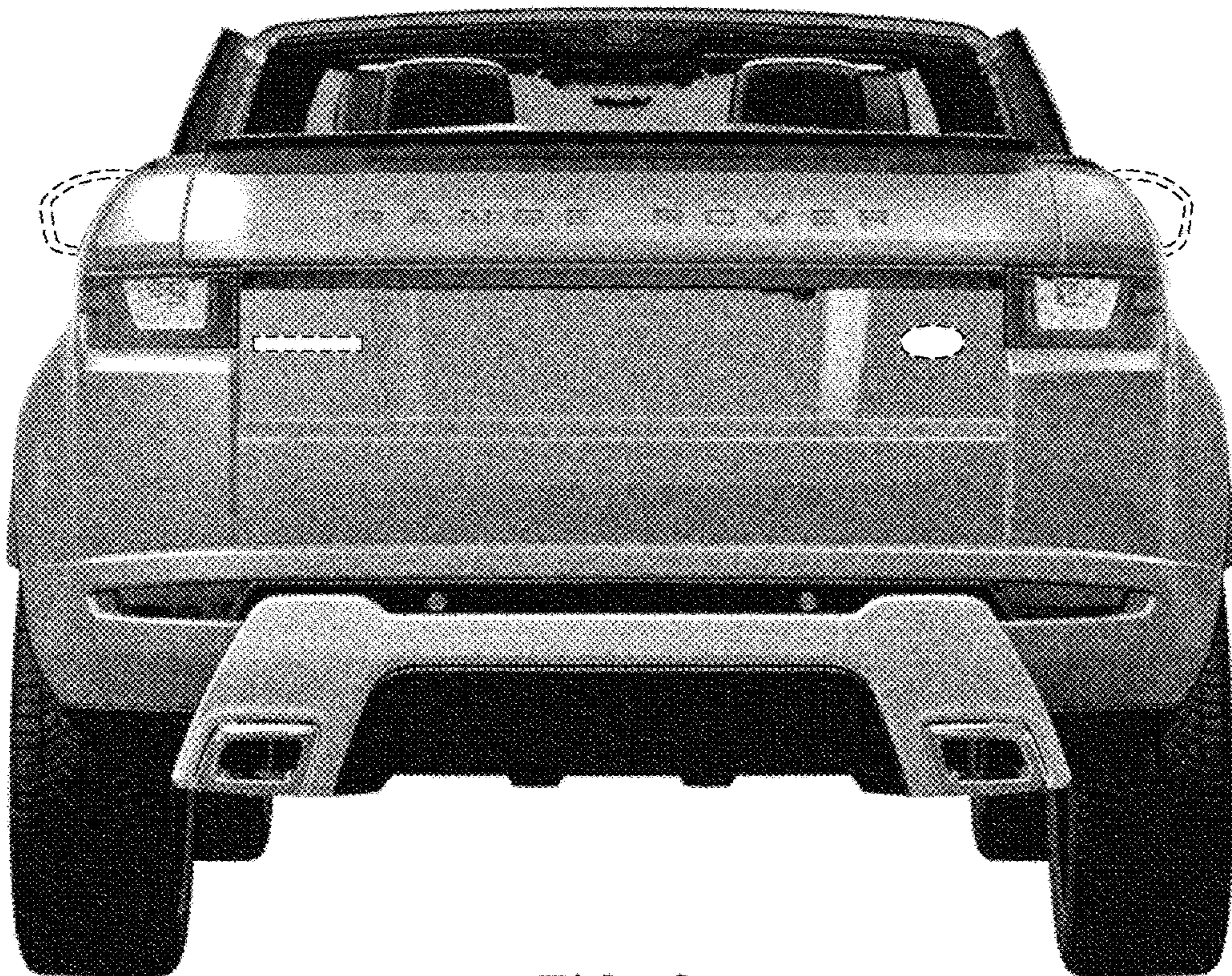


FIG. 9

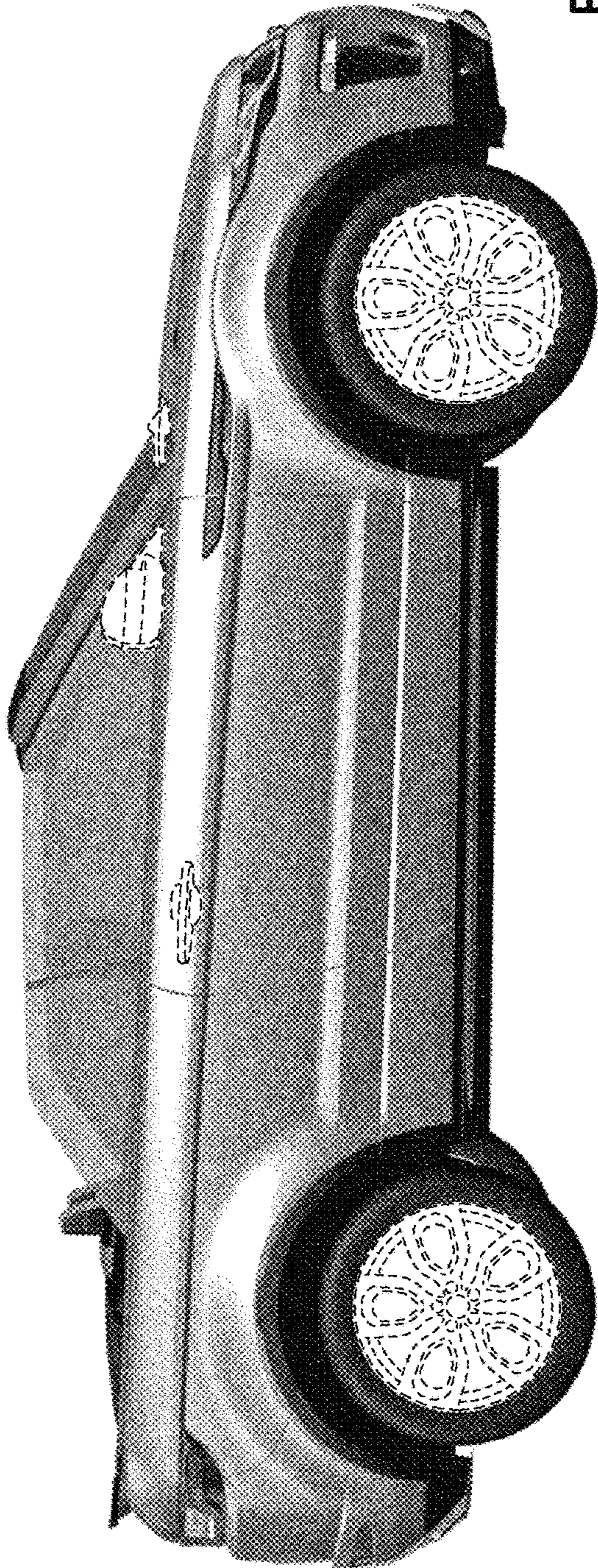


FIG. 10

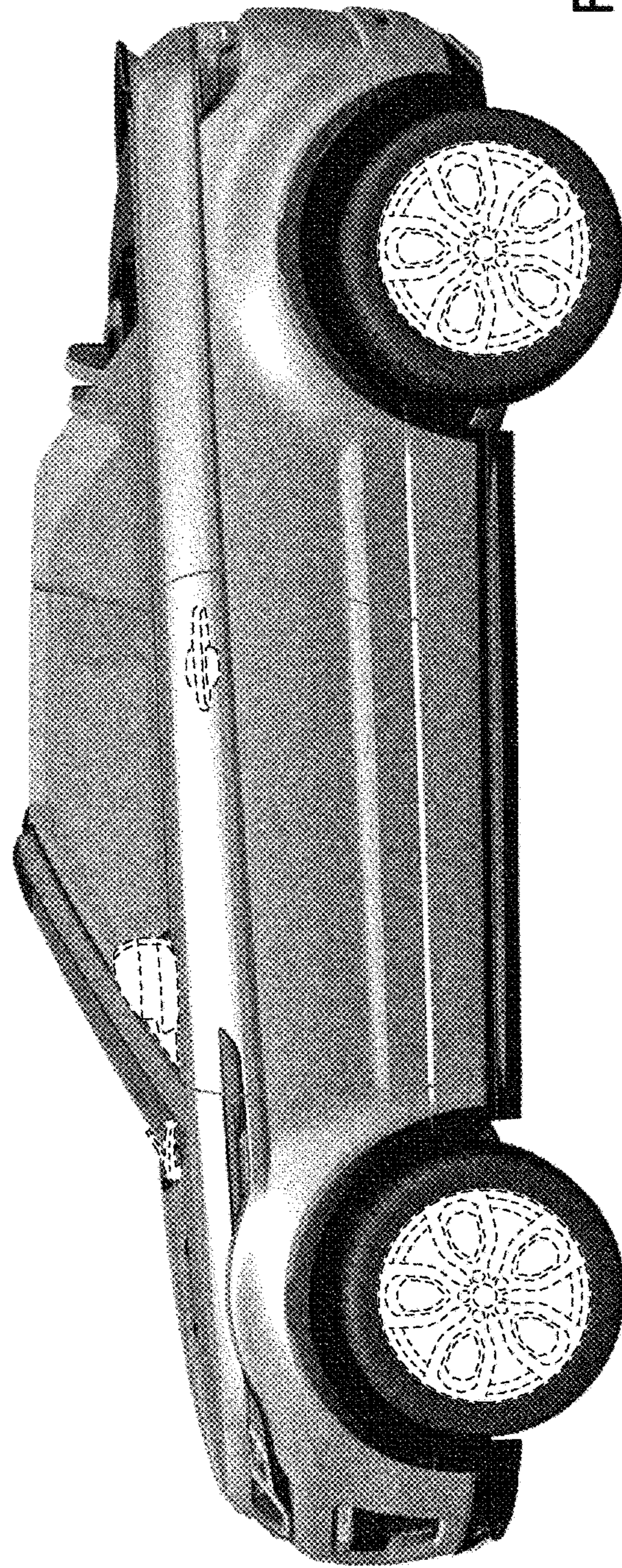


FIG. 11

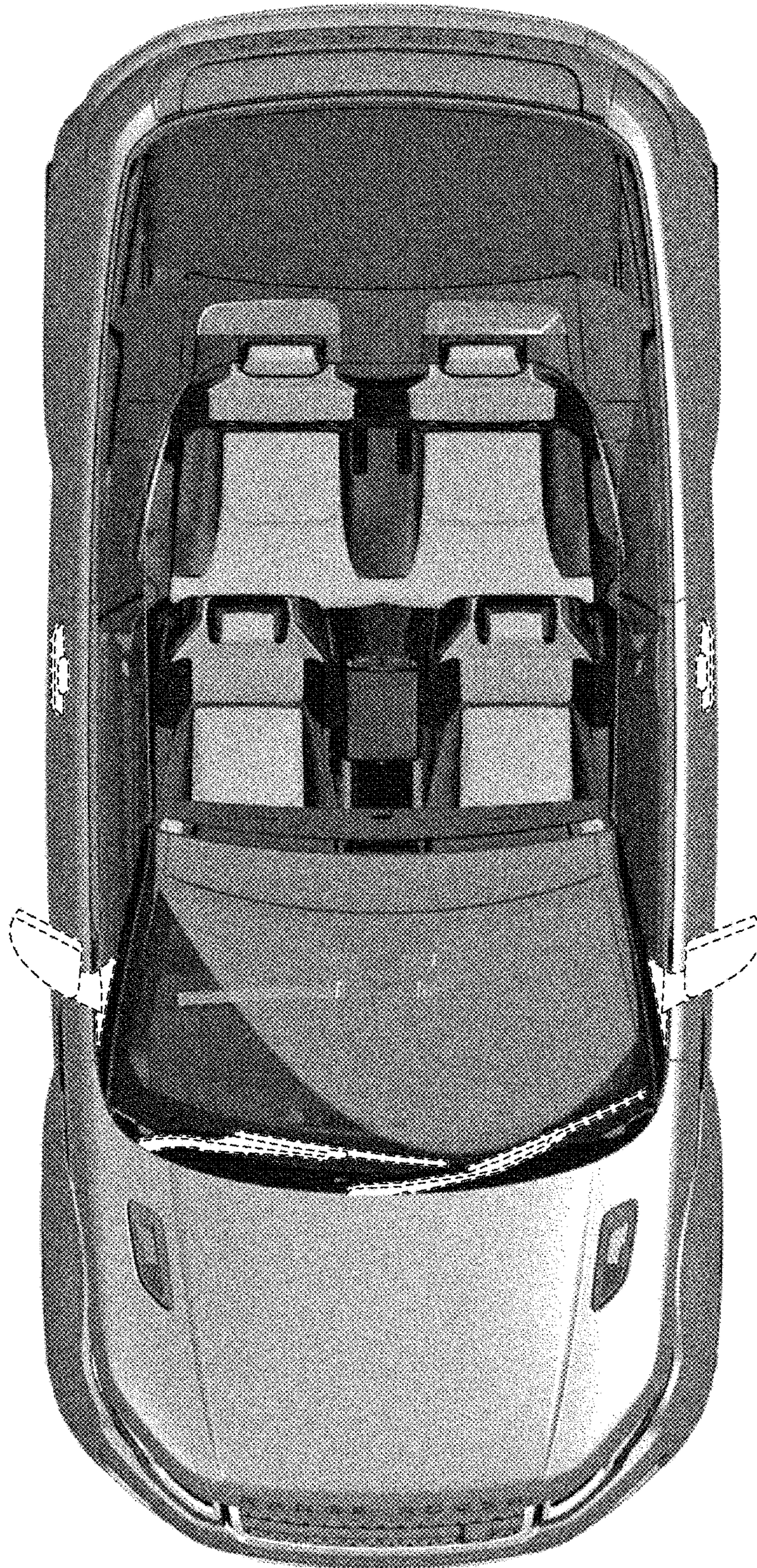


FIG. 12

UNITED STATES PATENT AND TRADEMARK OFFICE
CERTIFICATE OF CORRECTION

PATENT NO. : D807,789 S
APPLICATION NO. : 29/594105
DATED : January 16, 2018
INVENTOR(S) : Andrew Wheel

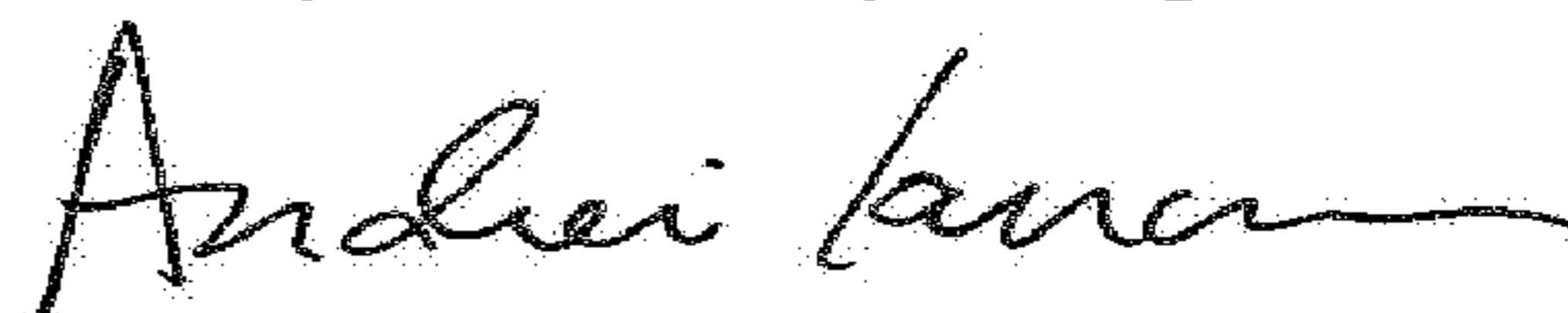
Page 1 of 1

It is certified that error appears in the above-identified patent and that said Letters Patent is hereby corrected as shown below:

On the Title Page

Column 1, "Foreign Application Priority Data" Line 2, "Nov. 24, 2014...", should read --Nov. 21,
2014...--.

Signed and Sealed this
Twenty-fourth Day of April, 2018



Andrei Iancu
Director of the United States Patent and Trademark Office