



US00D807787S

(12) **United States Design Patent**
Allison

(10) **Patent No.:** **US D807,787 S**
(45) **Date of Patent:** **** Jan. 16, 2018**

(54) **CAR, TOY REPLICA AND/OR OTHER REPLICA**

(71) Applicant: **Ferrari S.p.A.**, Modena (IT)

(72) Inventor: **James Shakespeare Allison**, Maranello (IT)

(73) Assignee: **Ferrari S.p.A.**, Modena (IT)

(**) Term: **15 Years**

(21) Appl. No.: **29/574,167**

(22) Filed: **Aug. 12, 2016**

(30) **Foreign Application Priority Data**

Feb. 15, 2016 (EM) 002987123
Feb. 15, 2016 (EM) 002987537

(51) **LOC (11) Cl.** **12-08**

(52) **U.S. Cl.**
USPC **D12/88**

(58) **Field of Classification Search**
USPC D12/86, 90-92, 88; D21/421, 433, 434;
296/181.1, 181.5
CPC B62D 35/00; B62D 25/00; B62D 25/06;
B62D 33/00
See application file for complete search history.

(56) **References Cited**

U.S. PATENT DOCUMENTS

D528,041 S * 9/2006 Costa D12/88
D576,918 S * 9/2008 Taylor D12/88

D577,314 S * 9/2008 Taylor D12/88
D597,442 S * 8/2009 Steinhauser D12/88
D610,949 S * 3/2010 Tombazis D12/88
D630,552 S * 1/2011 Tombazis D12/88
D665,306 S * 8/2012 Tombazis D12/88
D707,590 S * 6/2014 Bowlby D12/88
D710,252 S * 8/2014 Tombazis D12/88
D714,188 S * 9/2014 Bowlby D12/88
D727,208 S * 4/2015 Allison D12/88
D774,946 S * 12/2016 Allison D12/88

* cited by examiner

Primary Examiner — Melody N Brown

(74) *Attorney, Agent, or Firm* — Cowan, Liebowitz & Latman, P.C.

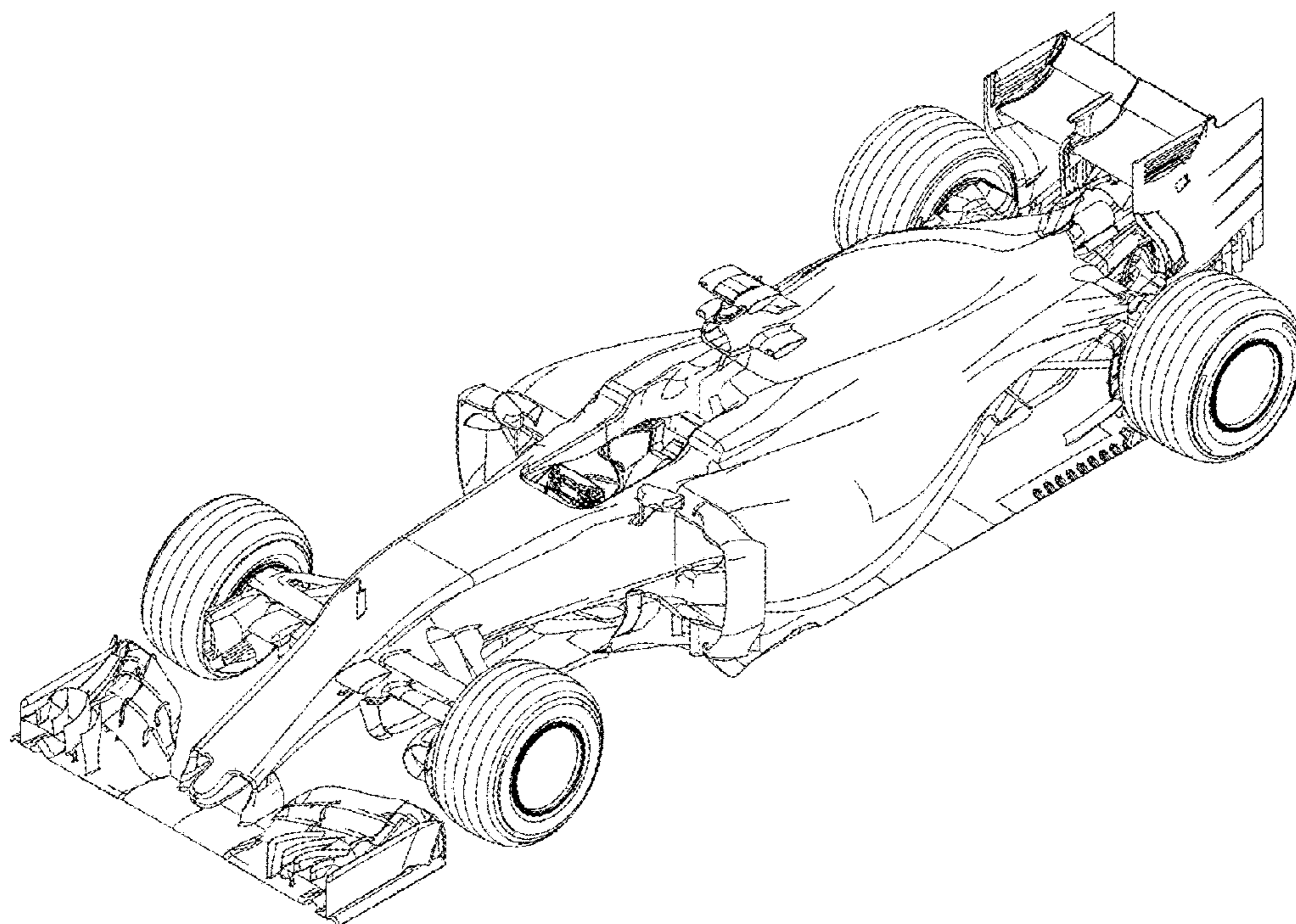
(57) **CLAIM**

The ornamental design for a car, toy replica and/or other replica, as shown and described.

DESCRIPTION

FIG. 1 is a front perspective view of a car, toy replica and/or other replica showing my new design;
FIG. 2 is a rear perspective view thereof;
FIG. 3 is a front view thereof;
FIG. 4 is a rear view thereof;
FIG. 5 is a side view thereof, the opposite side a mirror image of that side shown; and,
FIG. 6 is a top plan view thereof.

1 Claim, 6 Drawing Sheets



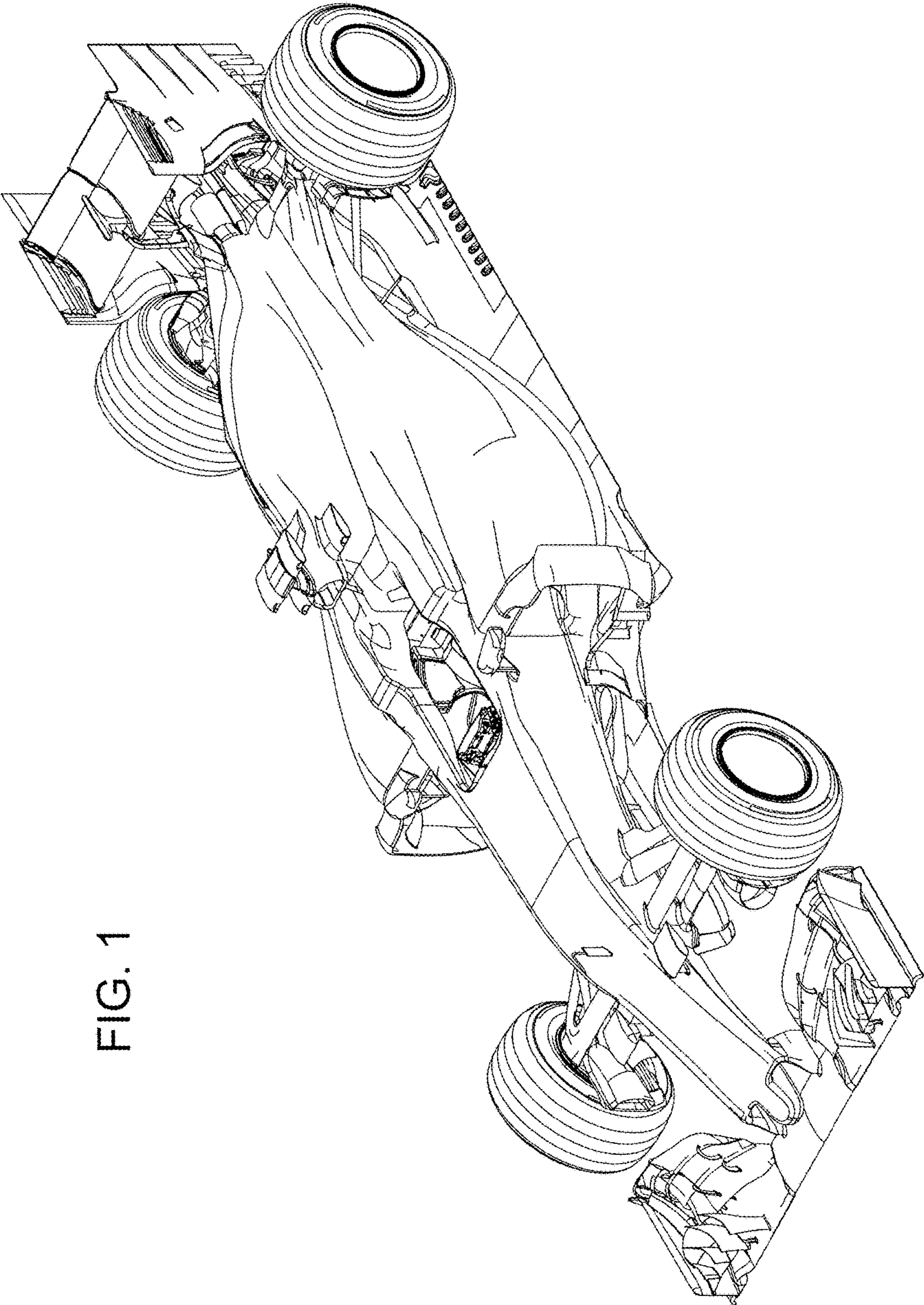


FIG. 1

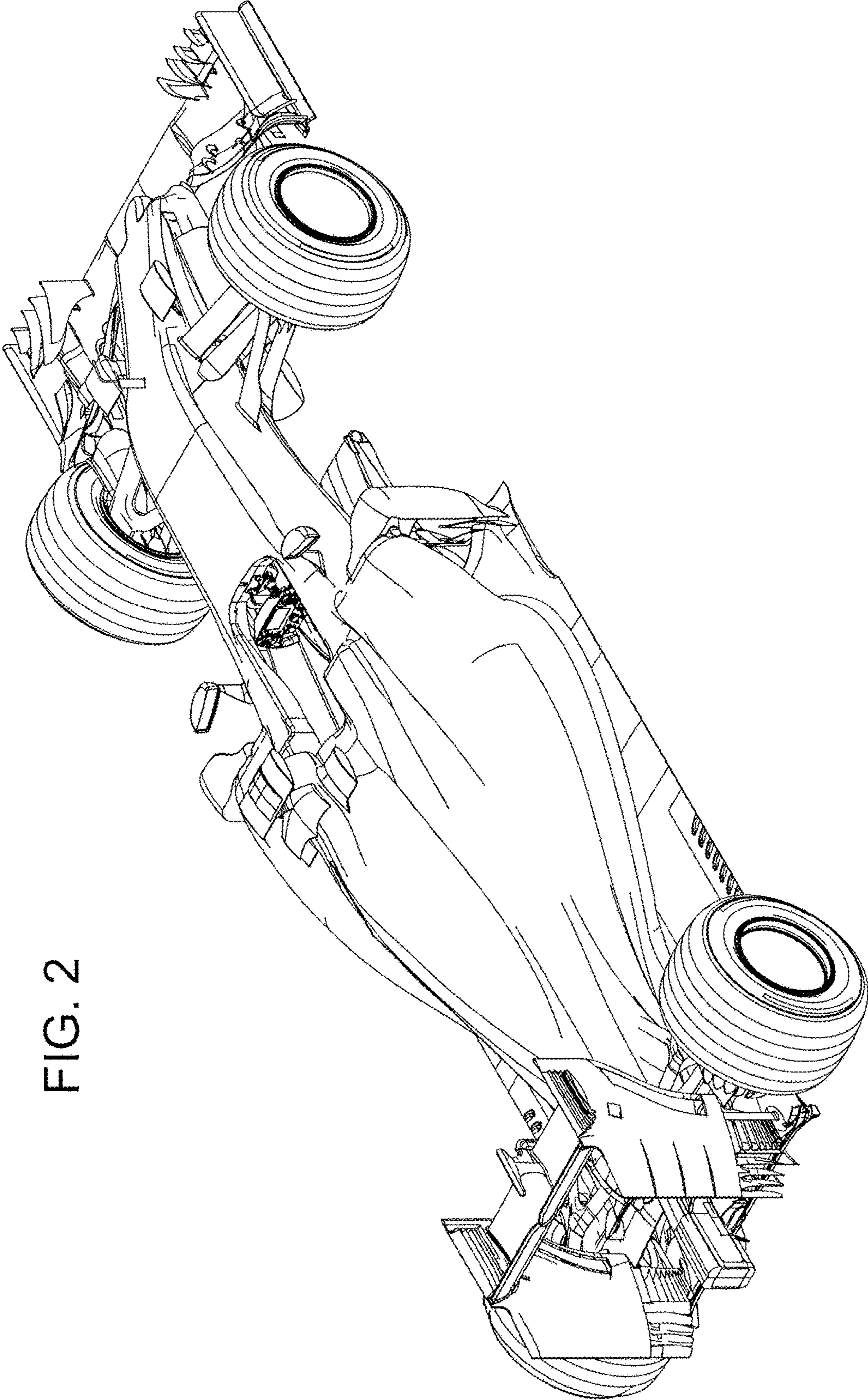


FIG. 2

FIG. 3

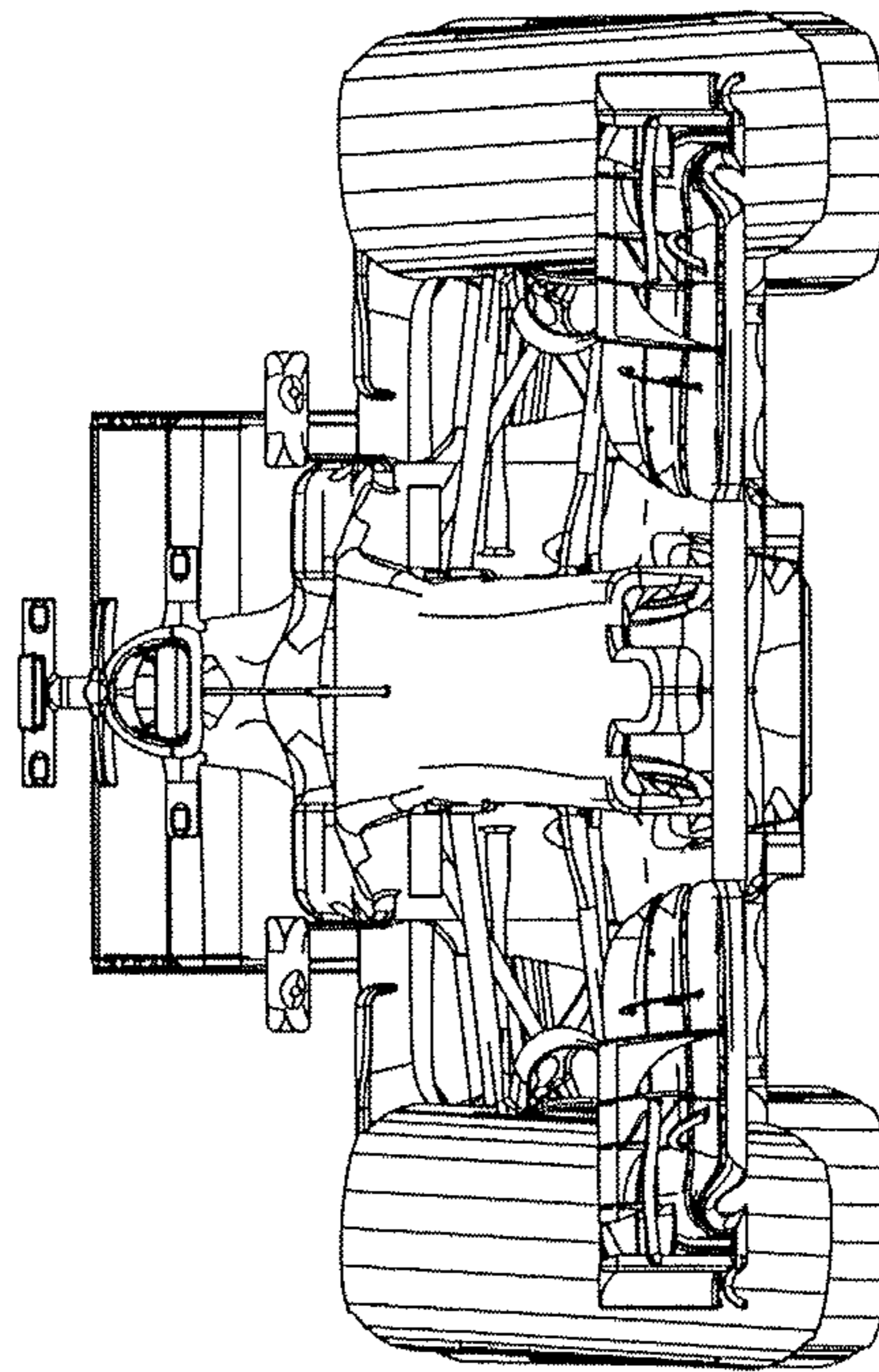


FIG. 4

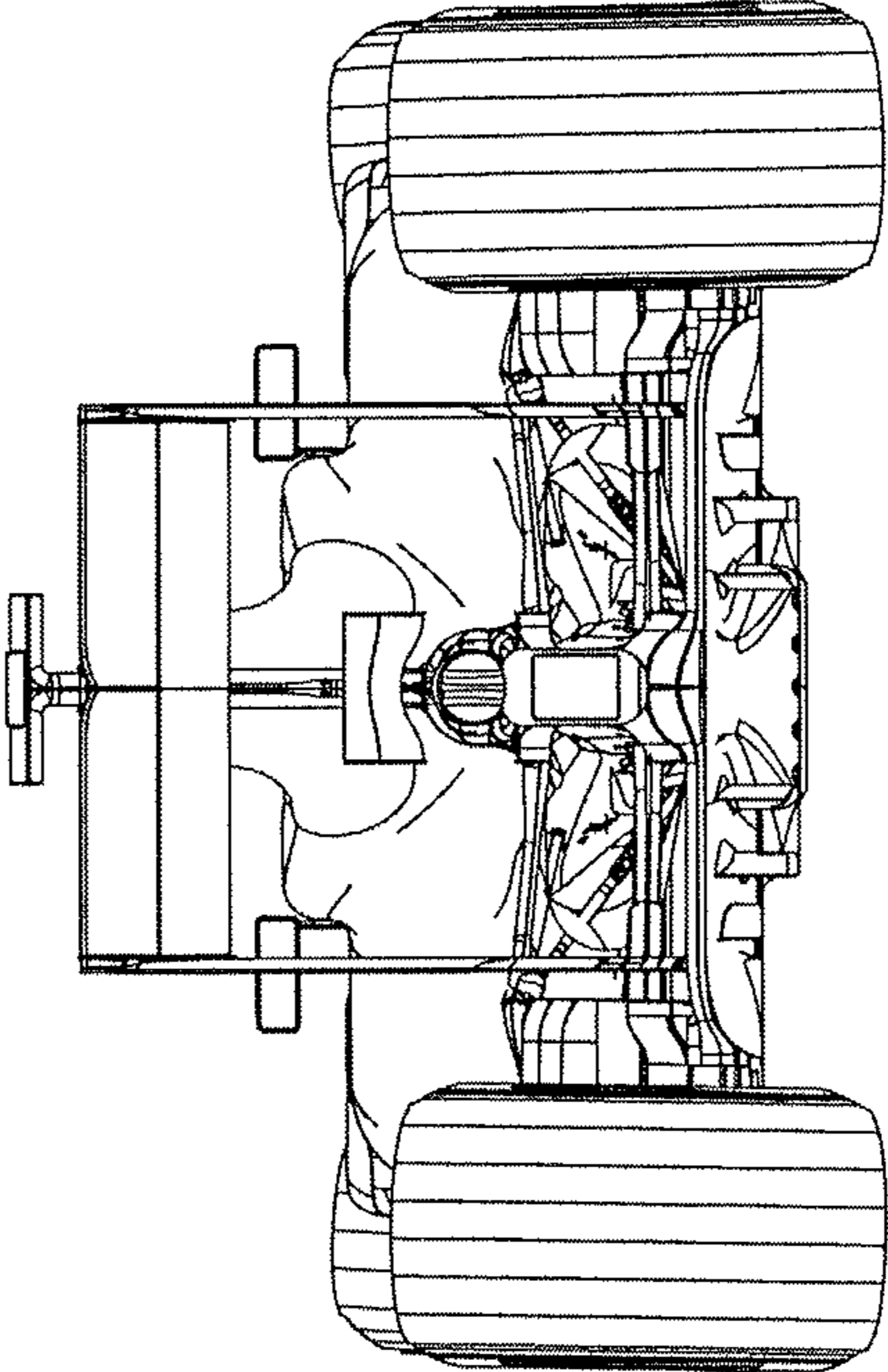


FIG. 5

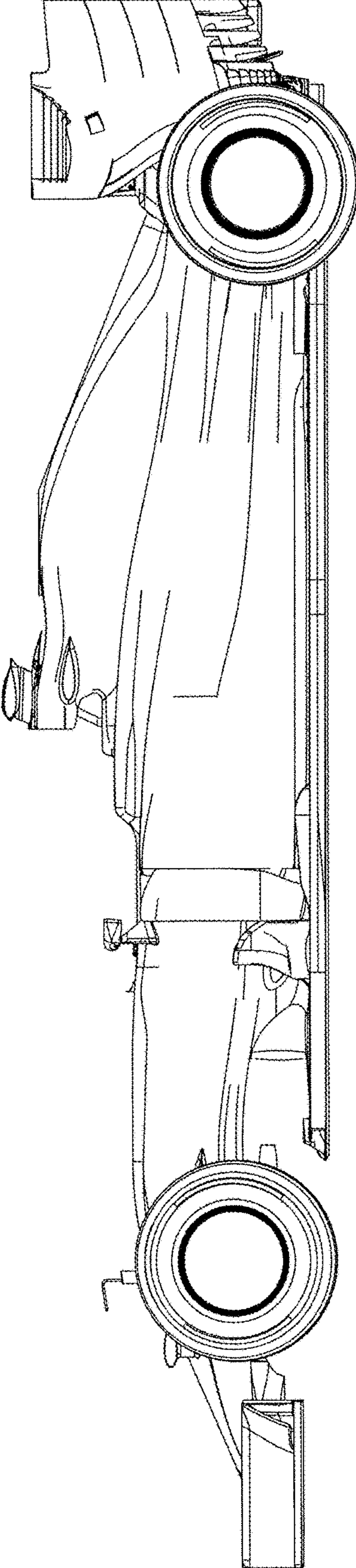


FIG. 6

