



US00D807786S

(12) **United States Design Patent** (10) **Patent No.:** **US D807,786 S**
Beiling et al. (45) **Date of Patent:** **** Jan. 16, 2018**

(54) **MOTOR VEHICLE, TOY, AND/OR REPLICAS THEREOF**

(71) Applicant: **Daimler AG**, Stuttgart (DE)

(72) Inventors: **Matthias Beiling**, Gaertringen (DE);
Lilia Chernaeva, Stuttgart (DE);
Volker Leutz, Neckartailfingen (DE);
Michael Pacher, Nagold (DE);
Christopher Rhoades, Mission Viejo, CA (US)

(73) Assignee: **Daimler AG**, Stuttgart (DE)

(**) Term: **15 Years**

(21) Appl. No.: **29/577,707**

(22) Filed: **Sep. 15, 2016**

(30) **Foreign Application Priority Data**

Mar. 16, 2016 (EM) 003030998

(51) **LOC (11) Cl.** **12-08**

(52) **U.S. Cl.**
USPC **D12/86; D12/91**

(58) **Field of Classification Search**
USPC D12/86, 88, 90, 91, 92, 98; D21/424,
D21/433, 434
CPC B62D 25/00; B62D 25/06; B62D 33/00;
B62D 35/00
See application file for complete search history.

(56) **References Cited**

U.S. PATENT DOCUMENTS

D389,783 S * 1/1998 Tomforde D12/91
D390,163 S * 2/1998 Tomforde D12/91
D404,690 S * 1/1999 Garand D12/91
D411,814 S * 7/1999 Chibuka D12/90

D432,050 S * 10/2000 Ligier D12/91
D437,256 S * 2/2001 Parent D12/86
D442,119 S * 5/2001 Murata D12/86
D456,312 S * 4/2002 Leutz D12/86
D472,501 S * 4/2003 Song D12/86
D477,250 S * 7/2003 Leutz D12/91
D549,134 S * 8/2007 Sinkwitz D12/91
D559,734 S * 1/2008 Sinkwitz D12/90
D619,931 S * 7/2010 Arnell D12/86
7,866,422 B2 * 1/2011 Peters B60K 7/0007
180/65.1
D640,602 S * 6/2011 Yoshida D12/91
D660,747 S * 5/2012 Koehl D12/90
D671,452 S * 11/2012 Fernandez Isoird D12/86
D676,359 S * 2/2013 Panoz D12/86
D684,091 S * 6/2013 Frenzel D12/90
D719,062 S * 12/2014 Wada D12/86
D731,361 S * 6/2015 Burki D12/91
D755,673 S * 5/2016 Ahn D12/86

(Continued)

Primary Examiner — Darlington Ly

(74) *Attorney, Agent, or Firm* — Crowell & Moring LLP

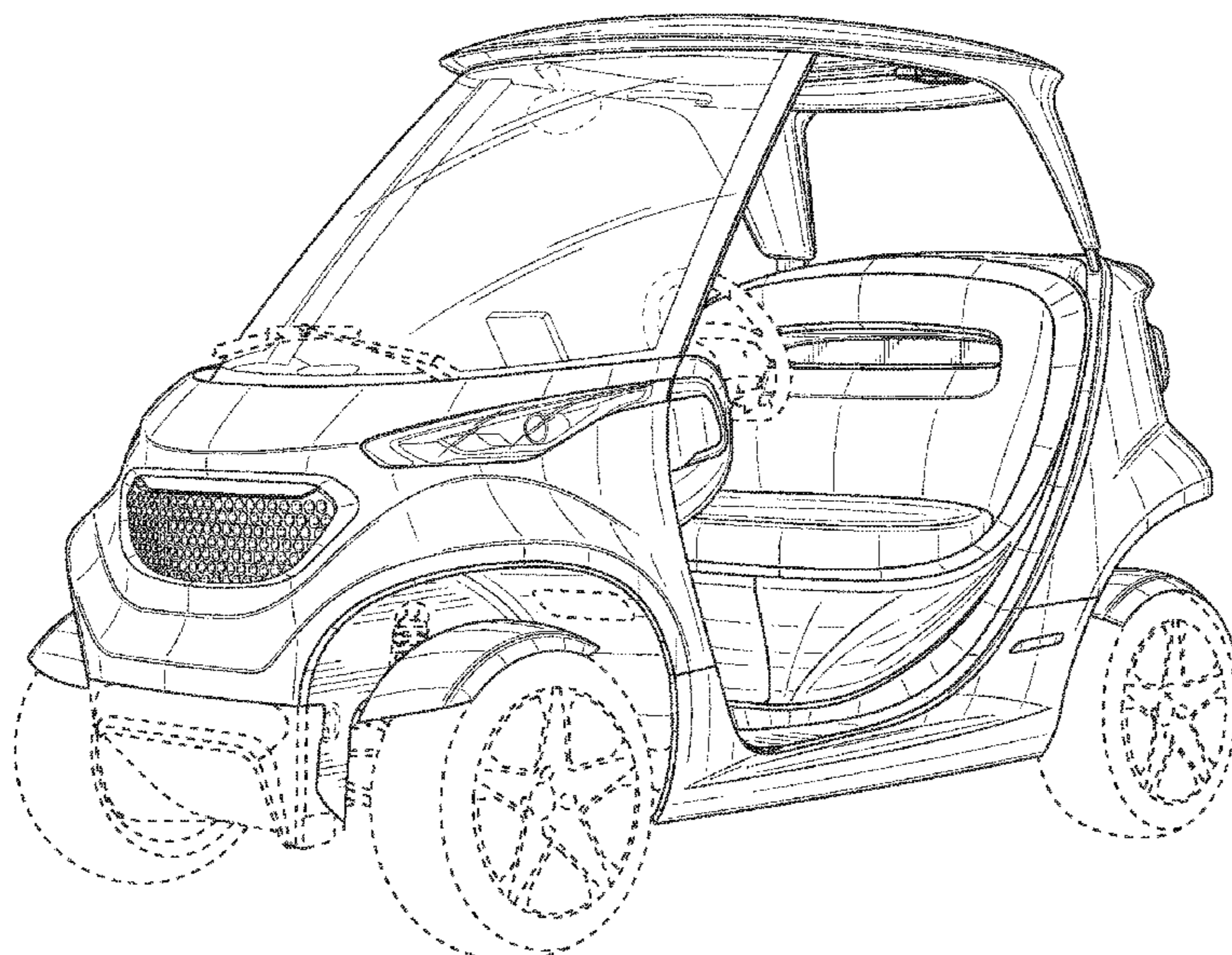
(57) **CLAIM**

The ornamental design for a motor vehicle, toy, and/or replicas thereof, as shown and described.

DESCRIPTION

FIG. 1 is a front and left side perspective view of a motor vehicle, toy, and/or replicas thereof showing our new design; FIG. 2 is a top, front, and left side perspective view thereof; FIG. 3 is a rear and left side perspective view thereof; FIG. 4 is a front elevation view thereof; FIG. 5 is a rear elevation view thereof; FIG. 6 is a right side elevation view thereof; and, FIG. 7 is a top plan view thereof. The broken lines in the drawings illustrate portions of the motor vehicle, toy, and/or replicas thereof that form no part of the claimed design.

1 Claim, 7 Drawing Sheets



(56)

References Cited

U.S. PATENT DOCUMENTS

2013/0180788 A1* 7/2013 Jin B60K 1/04
180/65.1

* cited by examiner

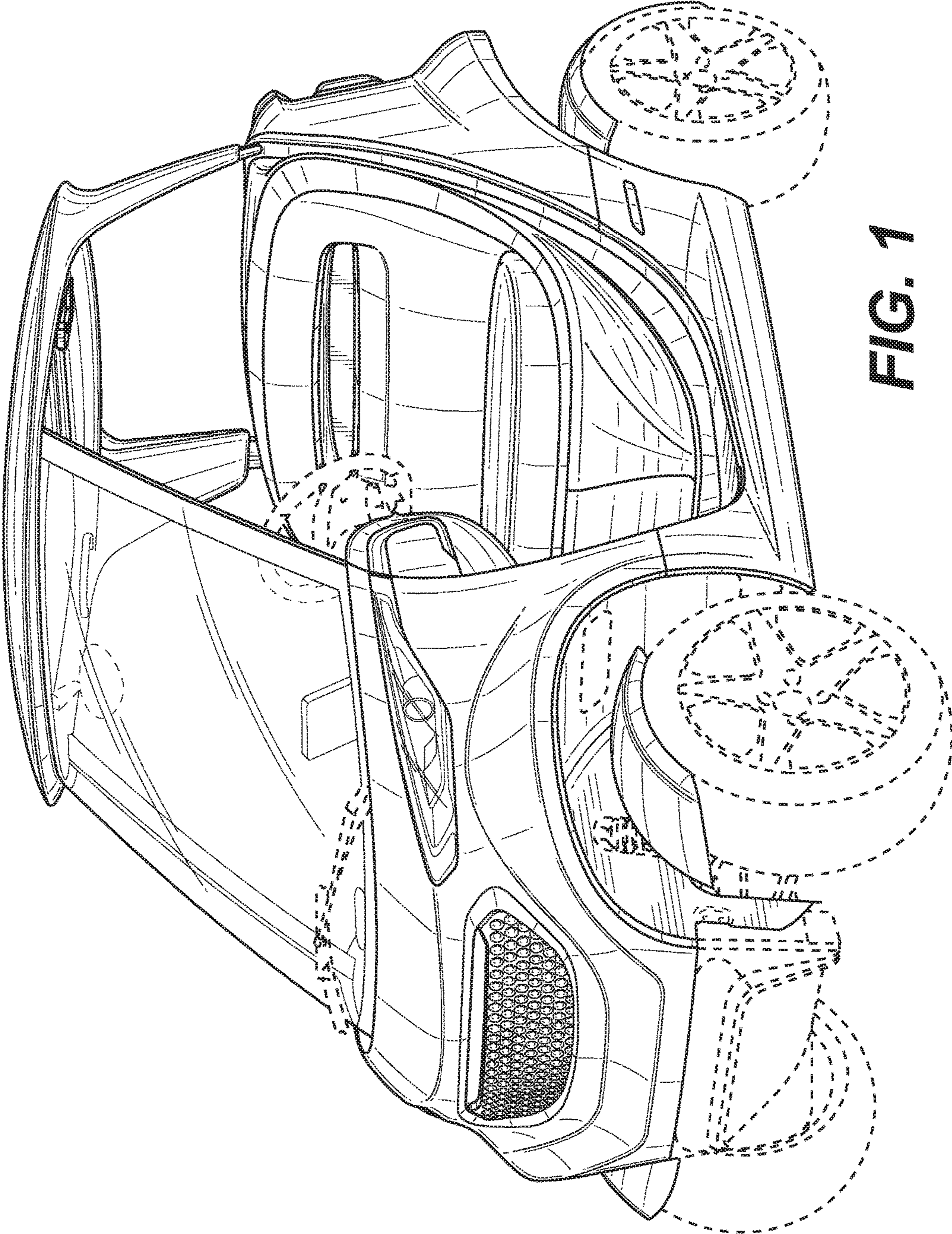


FIG. 1

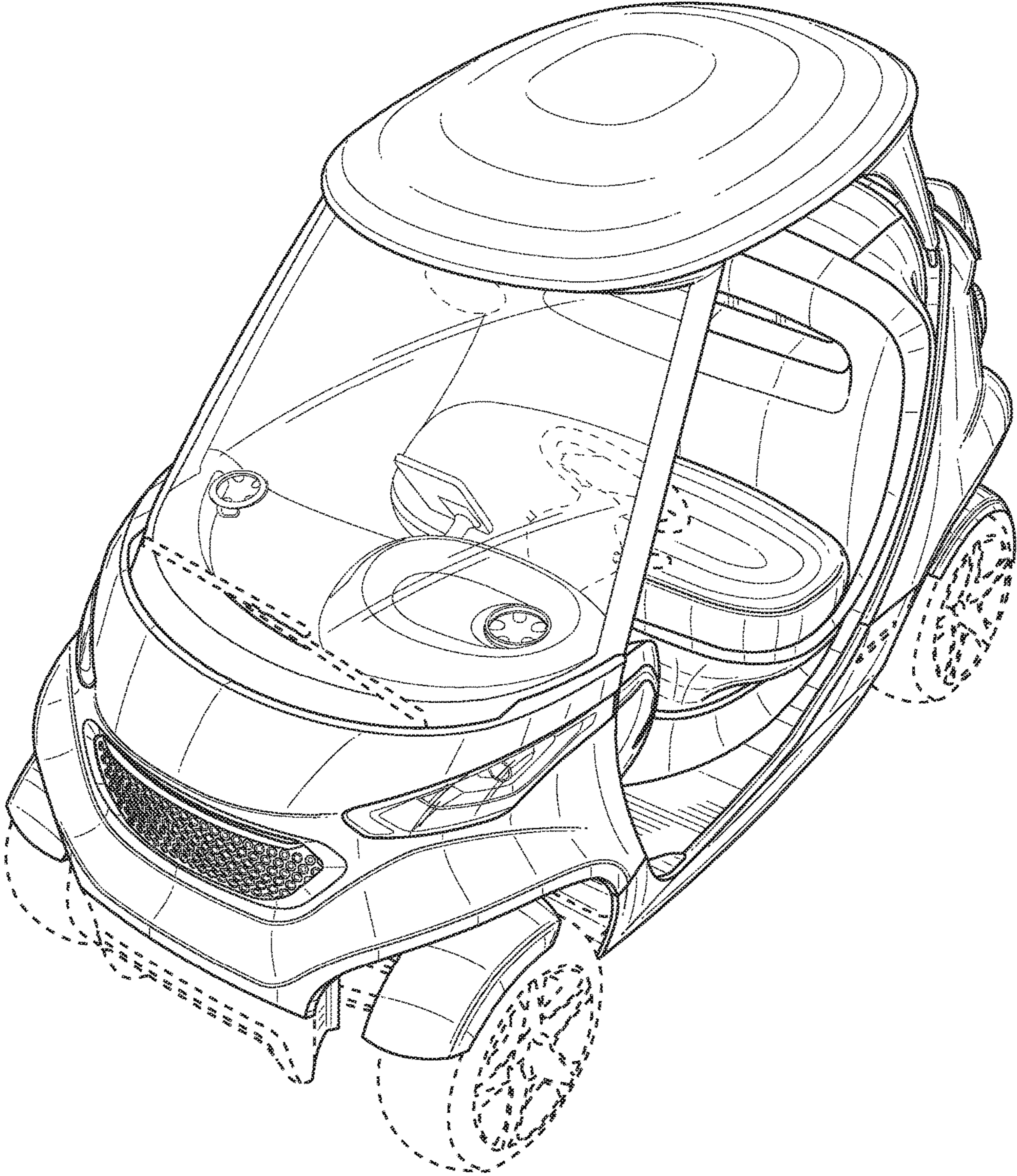


FIG. 2

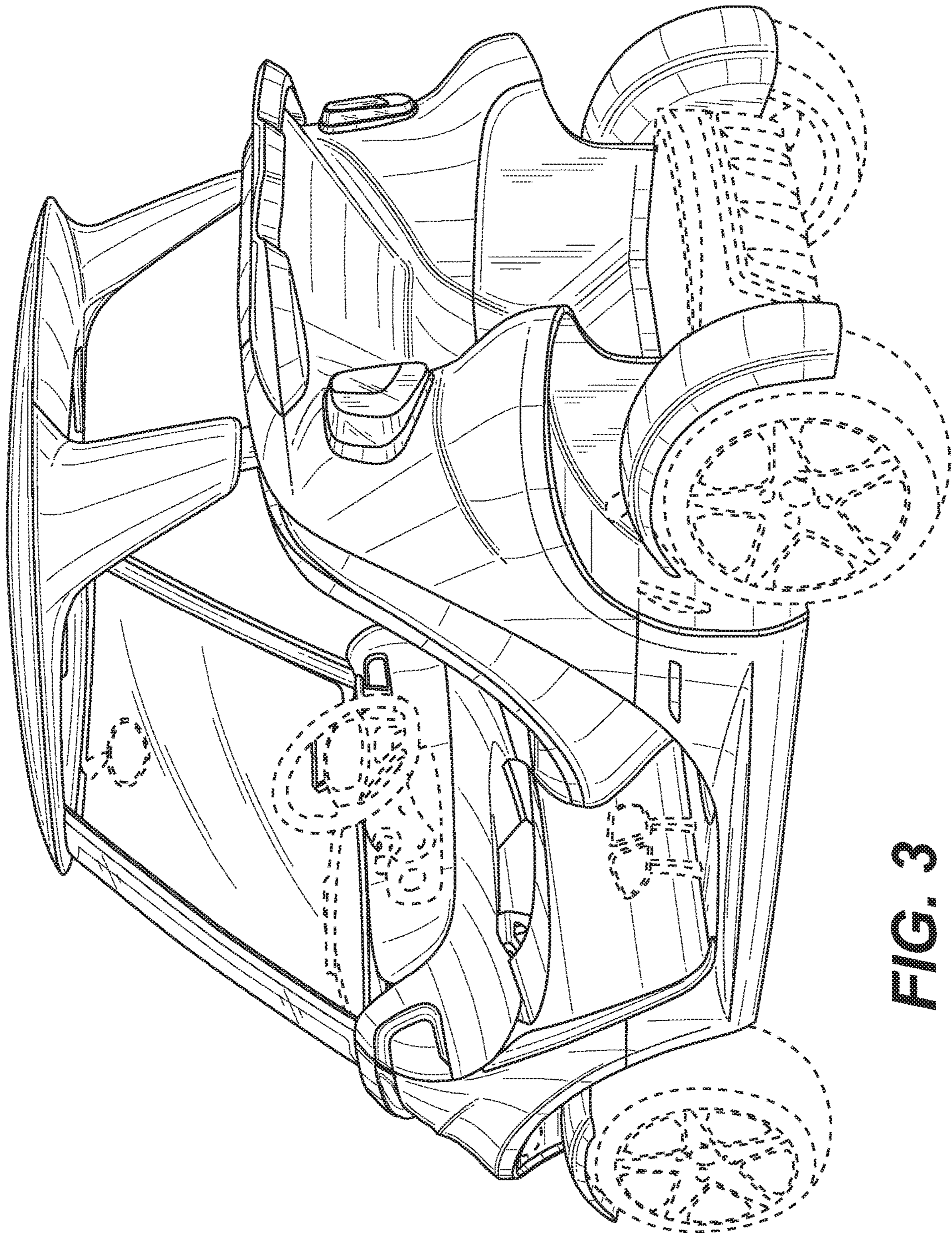


FIG. 3

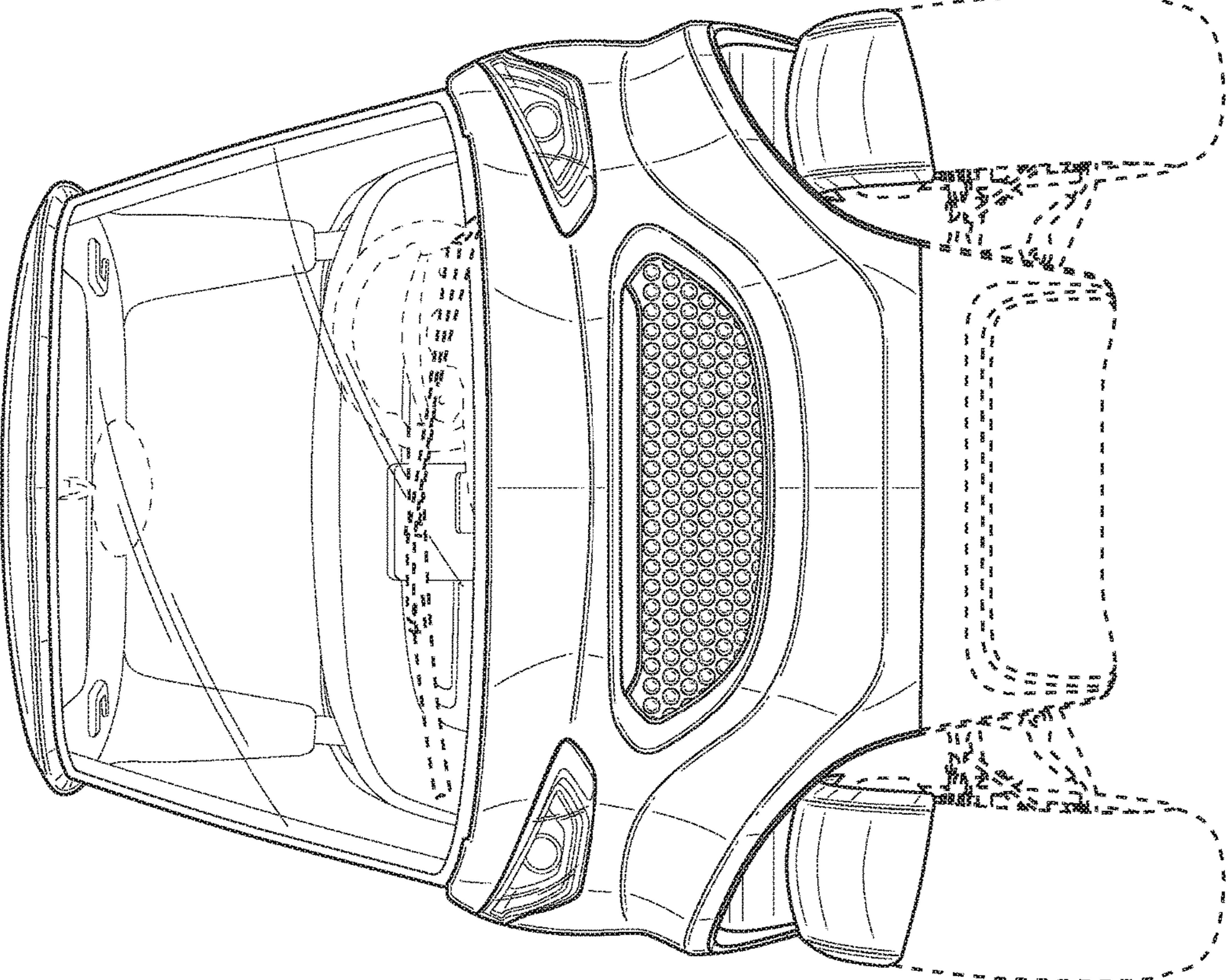


FIG. 4

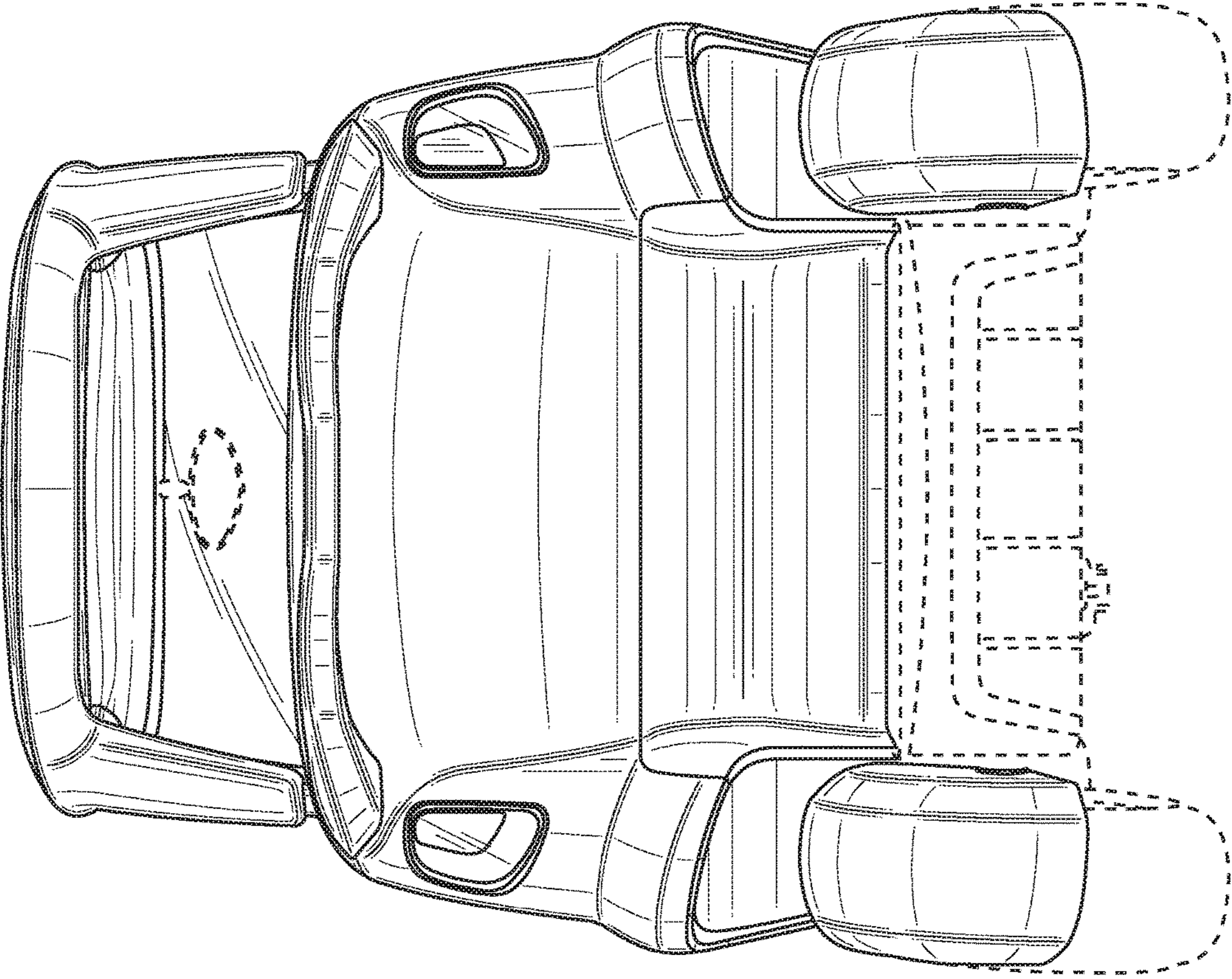


FIG. 5

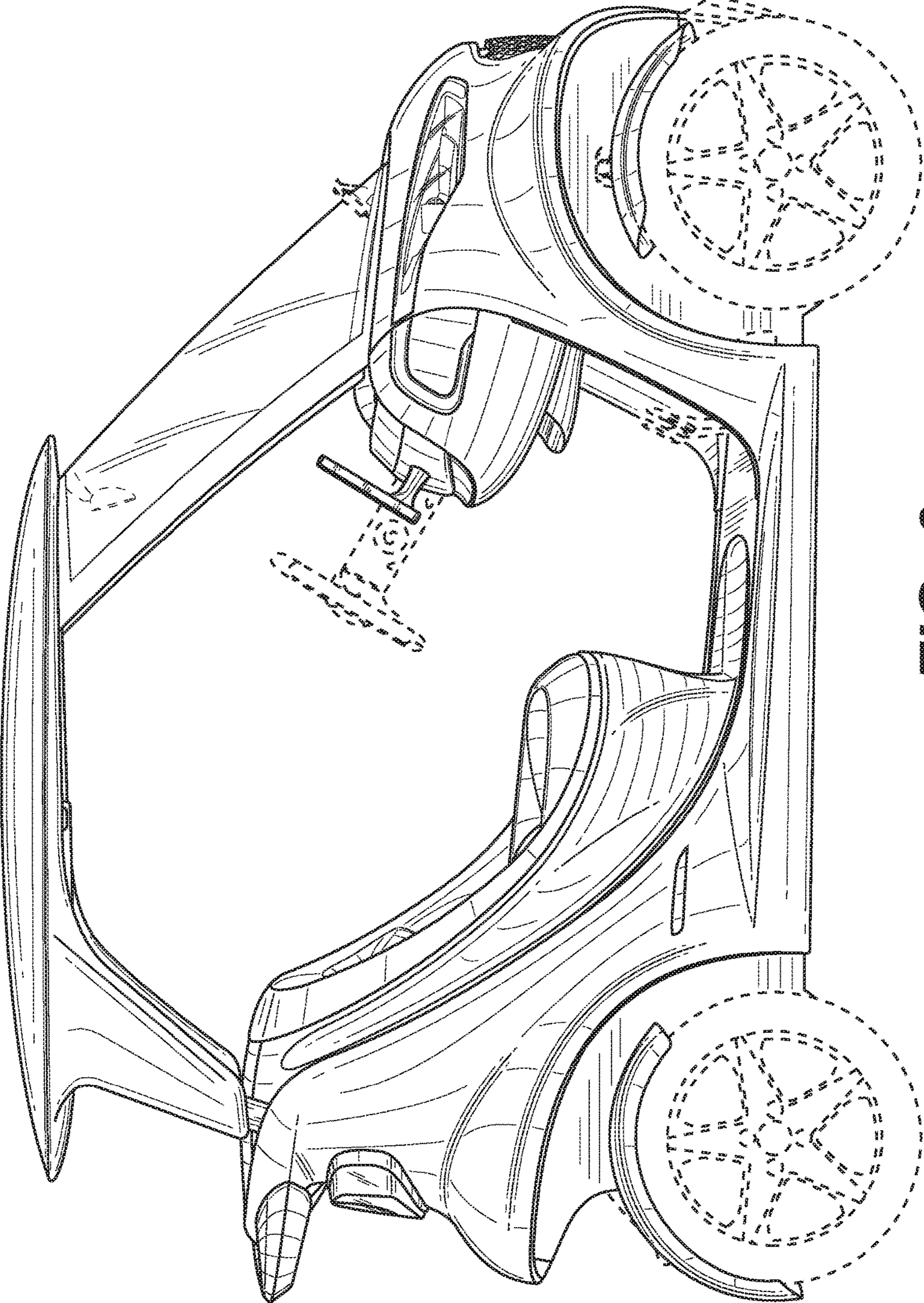


FIG. 6

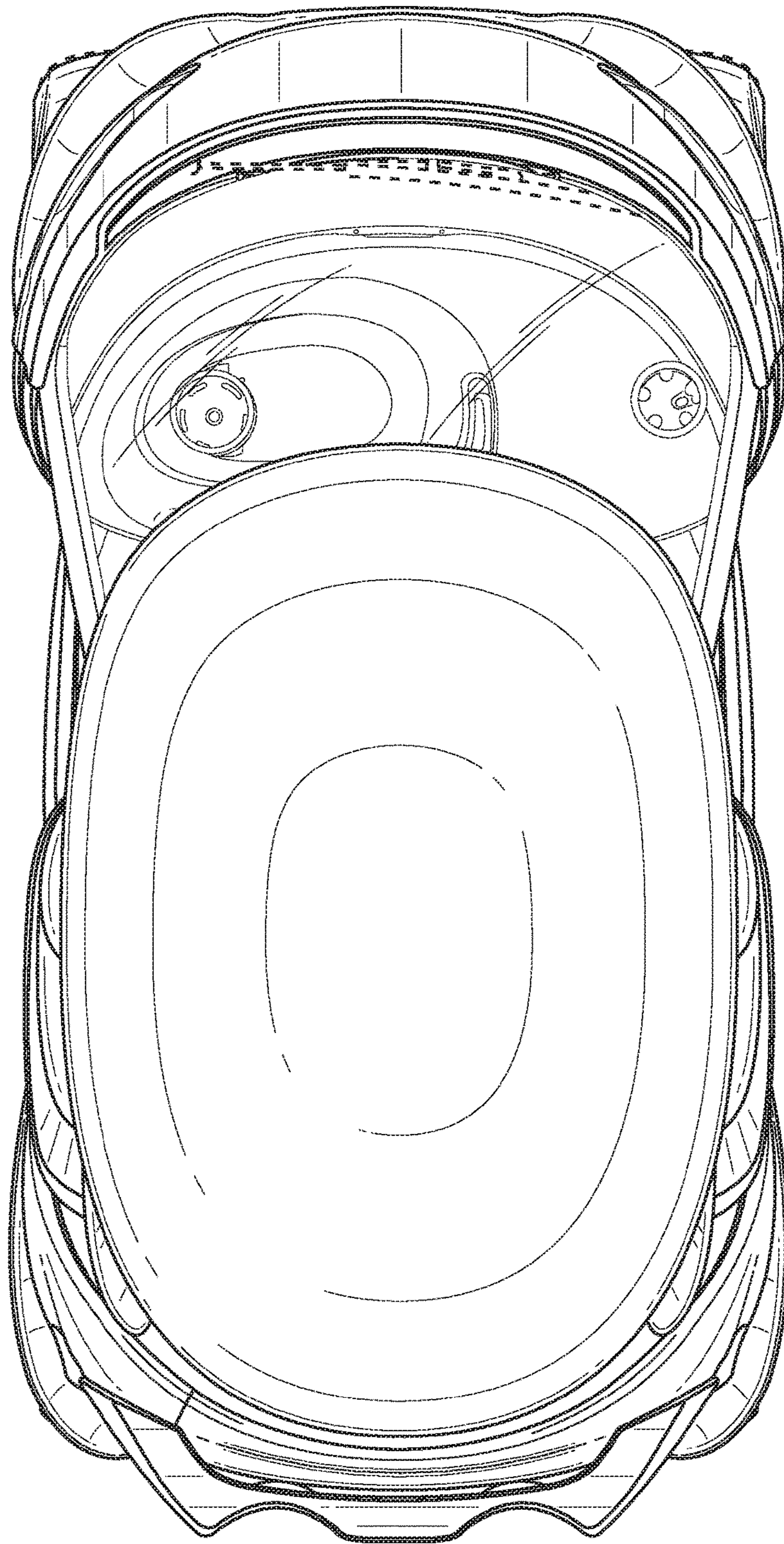


FIG. 7