



US00D807773S

(12) **United States Design Patent** (10) **Patent No.:** **US D807,773 S**
Bonner (45) **Date of Patent:** **** Jan. 16, 2018**

(54) **JEWELRY PRODUCT**
(71) Applicant: **Robert Jason Bonner**, Miramar, FL (US)
(72) Inventor: **Robert Jason Bonner**, Miramar, FL (US)
(73) Assignee: **National Chain Company**, Warwick, RI (US)
(**) Term: **15 Years**
(21) Appl. No.: **29/542,870**
(22) Filed: **Oct. 19, 2015**
(51) **LOC (11) Cl.** **11-01**
(52) **U.S. Cl.**
USPC **D11/26**
(58) **Field of Classification Search**
USPC D11/1, 2, 26-39, 40-4, 79-86, 91, 924
CPC A44C 9/00; A44C 9/0007; A44C 9/0015;
A44C 9/0023; A44C 9/003; A44C
9/0038; A44C 9/0046; A44C 9/0053;
A44C 9/0061; A44C 9/0069; A44C
9/0076; A44C 17/02; A44C 17/0208;
A44C 17/0216; A44C 5/003; A44C
25/00; A44C 25/001; A44C 25/002; A44C
25/007
See application file for complete search history.

(56) **References Cited**
U.S. PATENT DOCUMENTS
D53,535 S * 7/1919 Schless D11/34
1,330,617 A * 2/1920 Altschul A44C 9/00
63/15
D61,921 S * 2/1923 Peters D11/35

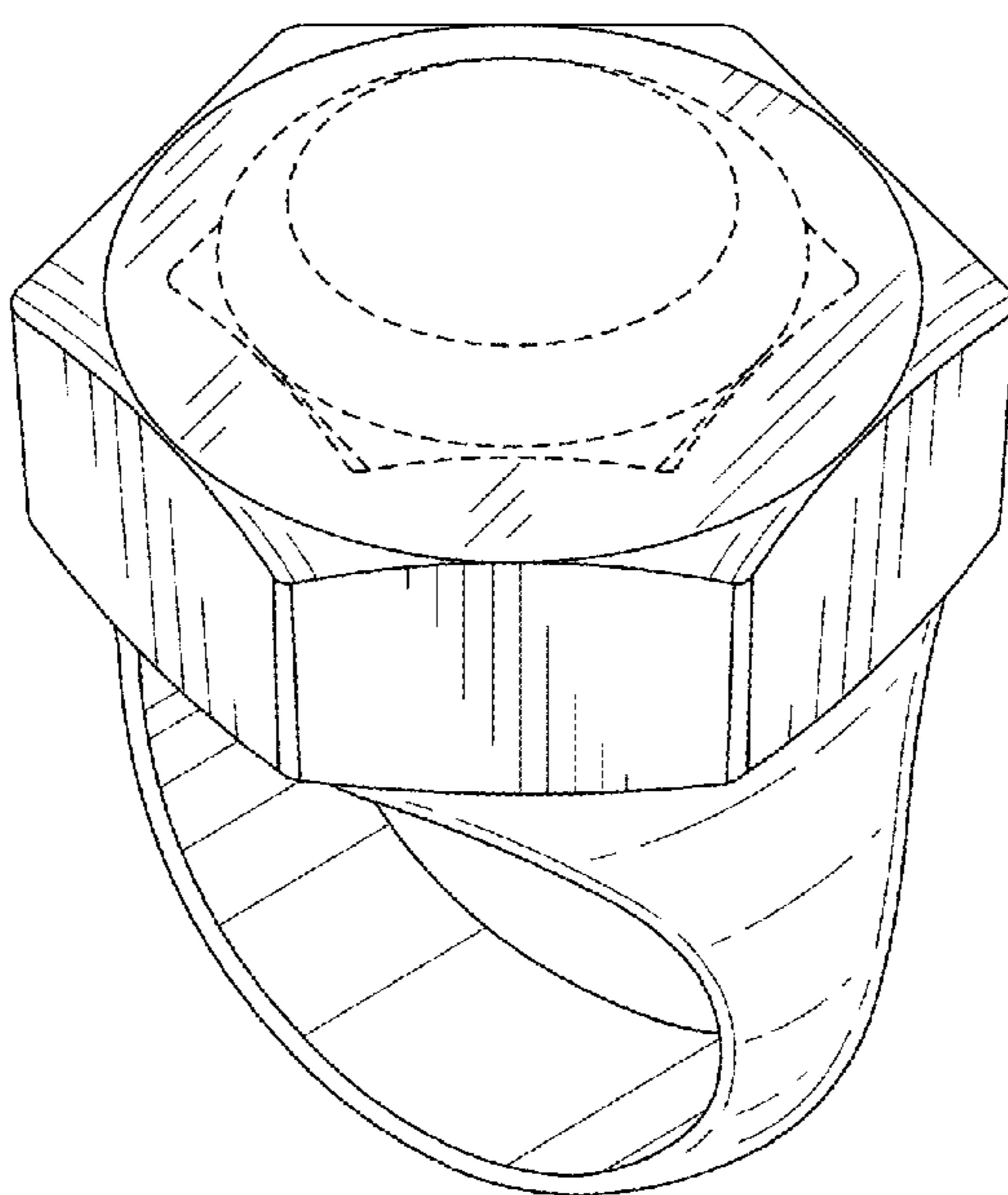
D63,469 S * 12/1923 Lautz D11/35
D63,470 S * 12/1923 Lautz D11/35
D64,332 S * 4/1924 Anshen D11/34
D65,543 S * 9/1924 Shimp D11/35
D67,400 S * 5/1925 Grossman D11/35
1,550,191 A * 8/1925 Werner B21D 53/44
29/896.41
D72,795 S * 6/1927 Grossman D11/35
D79,258 S * 8/1929 Sandler D11/26
D85,578 S * 11/1931 Earnshaw D11/30
1,877,442 A * 9/1932 Armstrong A44C 17/04
63/15
1,930,907 A * 10/1933 Pilblad A44C 17/02
63/15
D142,234 S * 8/1945 Sudbrink D11/26
D625,641 S * 10/2010 Wier D11/30

* cited by examiner
Primary Examiner — Melanie Pellegrini
(74) *Attorney, Agent, or Firm* — Salter & Michaelson

(57) **CLAIM**
The ornamental design for a jewelry product, as shown and described.

DESCRIPTION
FIG. 1 is a perspective view of a jewelry product;
FIG. 2 is a front elevational view thereof;
FIG. 3 is a rear elevational view thereof;
FIG. 4 is a left side elevational view thereof;
FIG. 5 is a right side elevational view thereof;
FIG. 6 is a top plan view thereof;
FIG. 7 is a bottom plan view thereof; and,
FIG. 8 is an exploded view thereof.
The broken lines shown in the drawing views represent portions of the jewelry product which form no part of the claimed design.

1 Claim, 5 Drawing Sheets



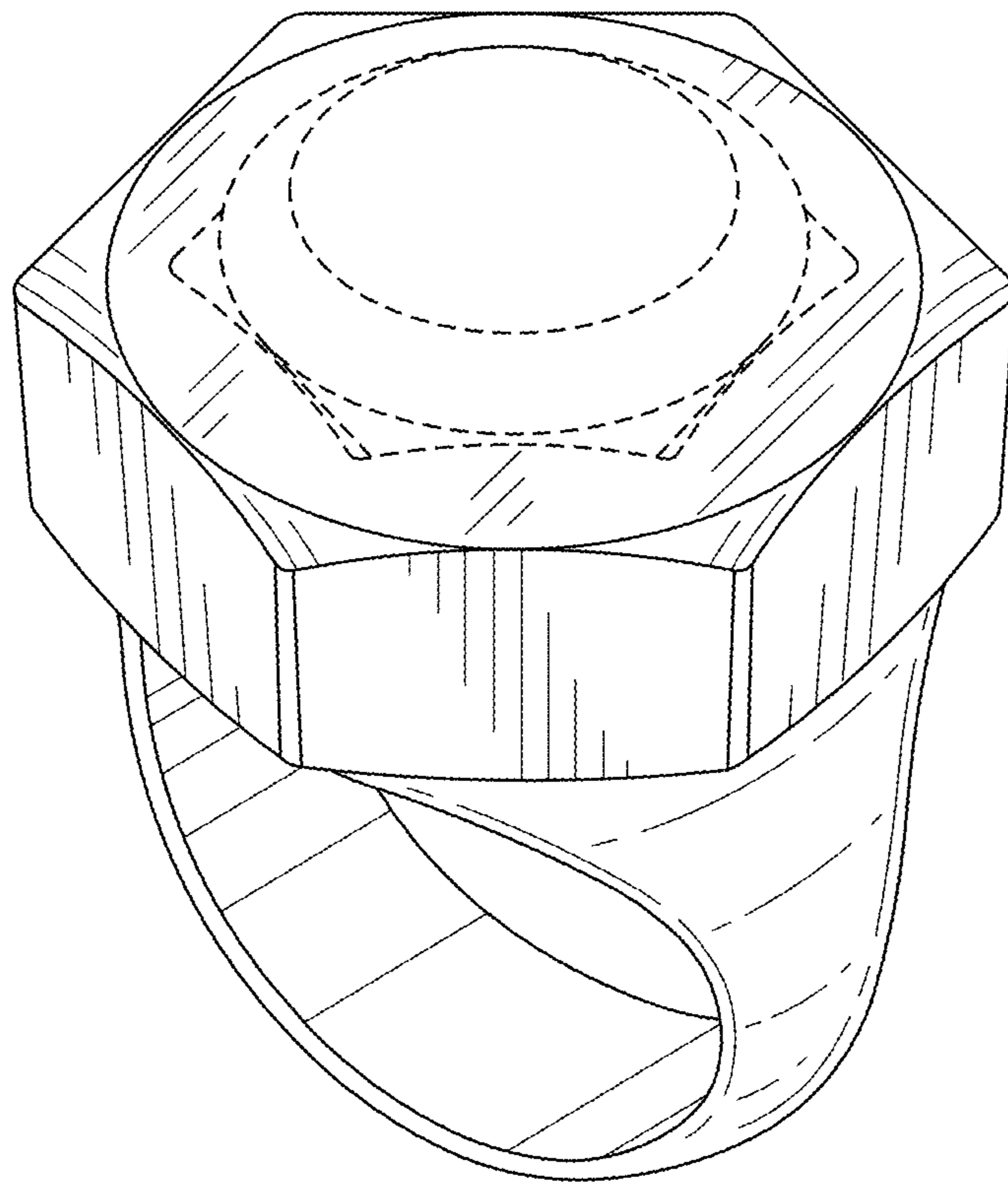


FIG. 1

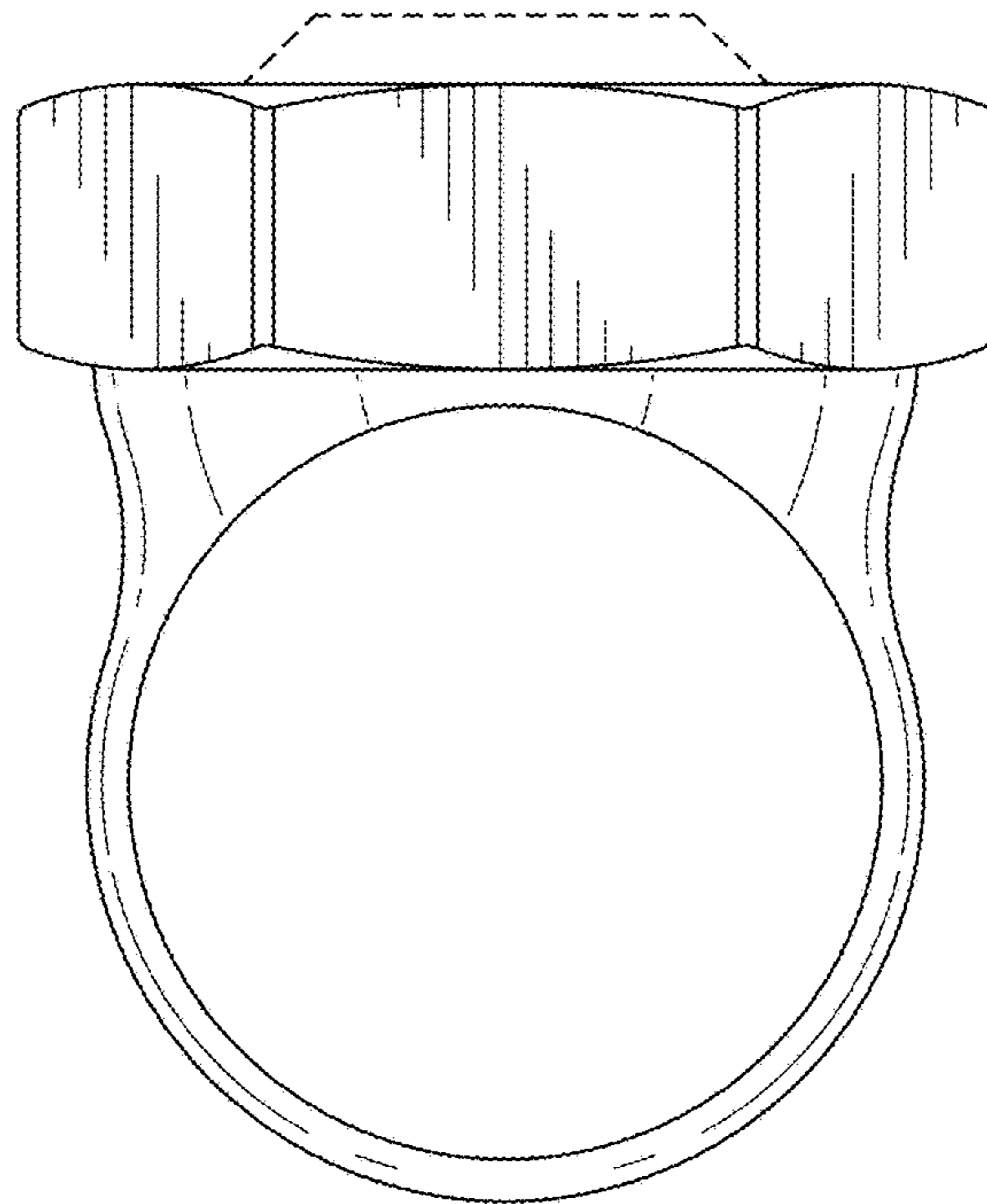


FIG. 2

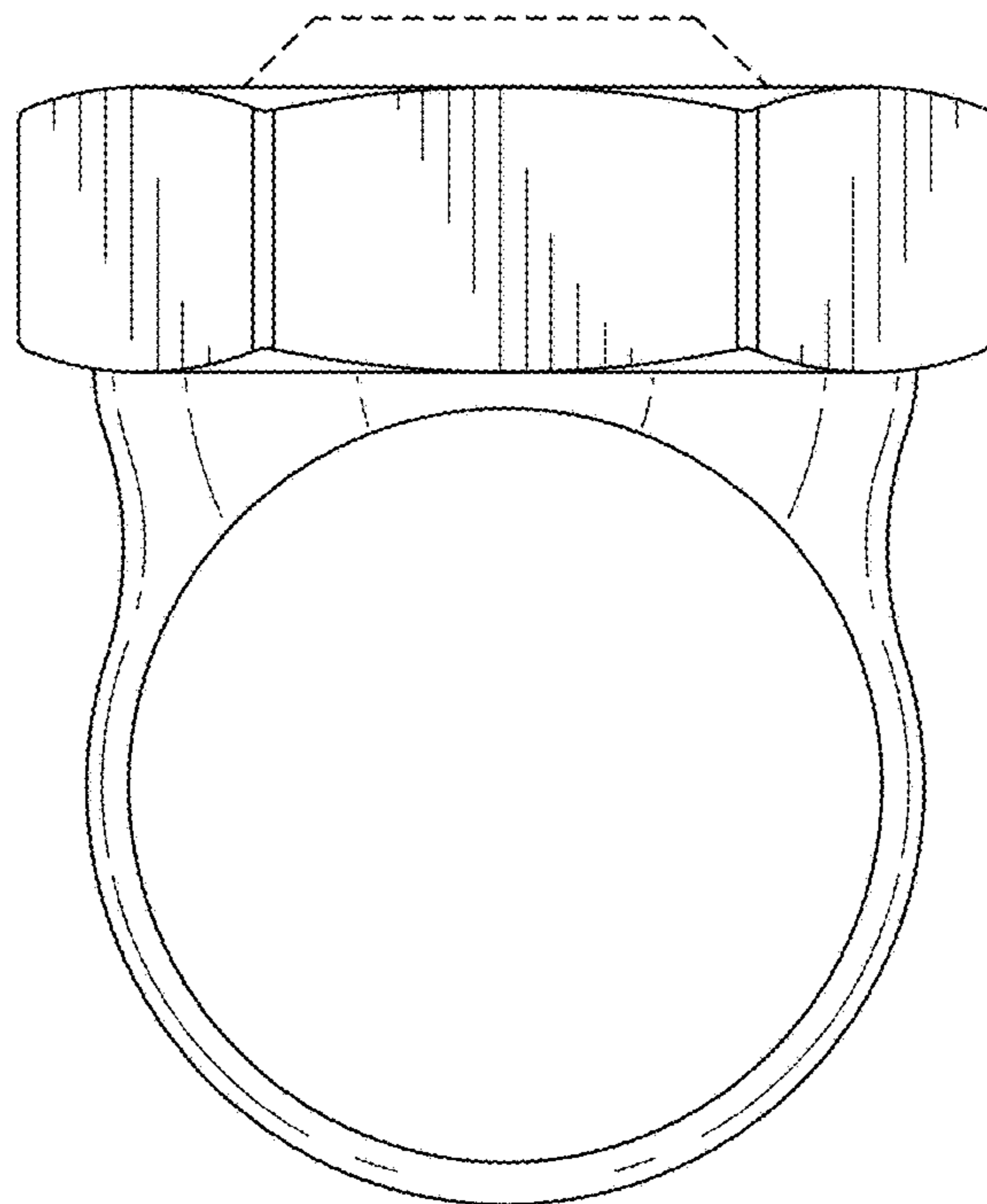


FIG. 3

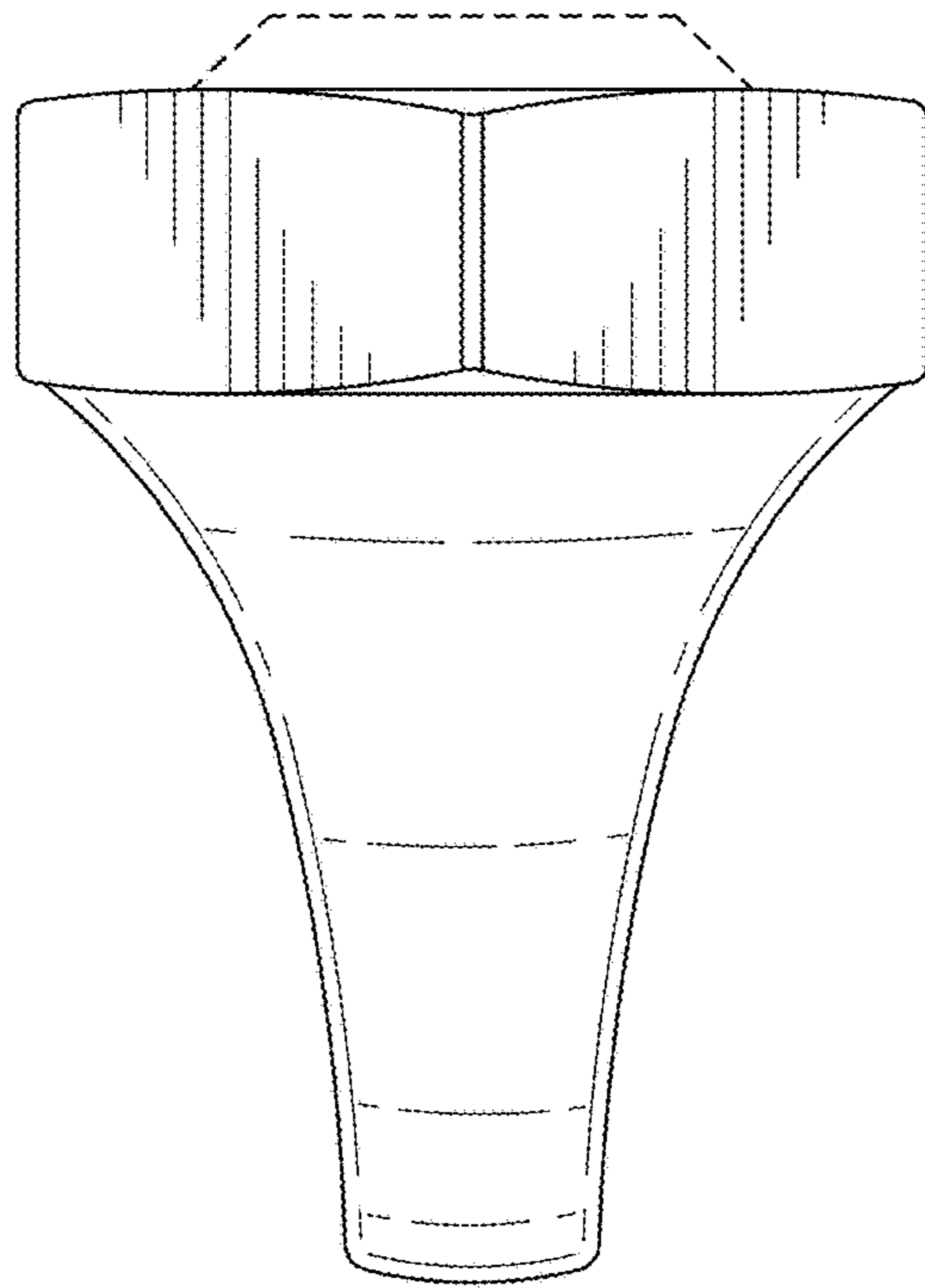


FIG. 4

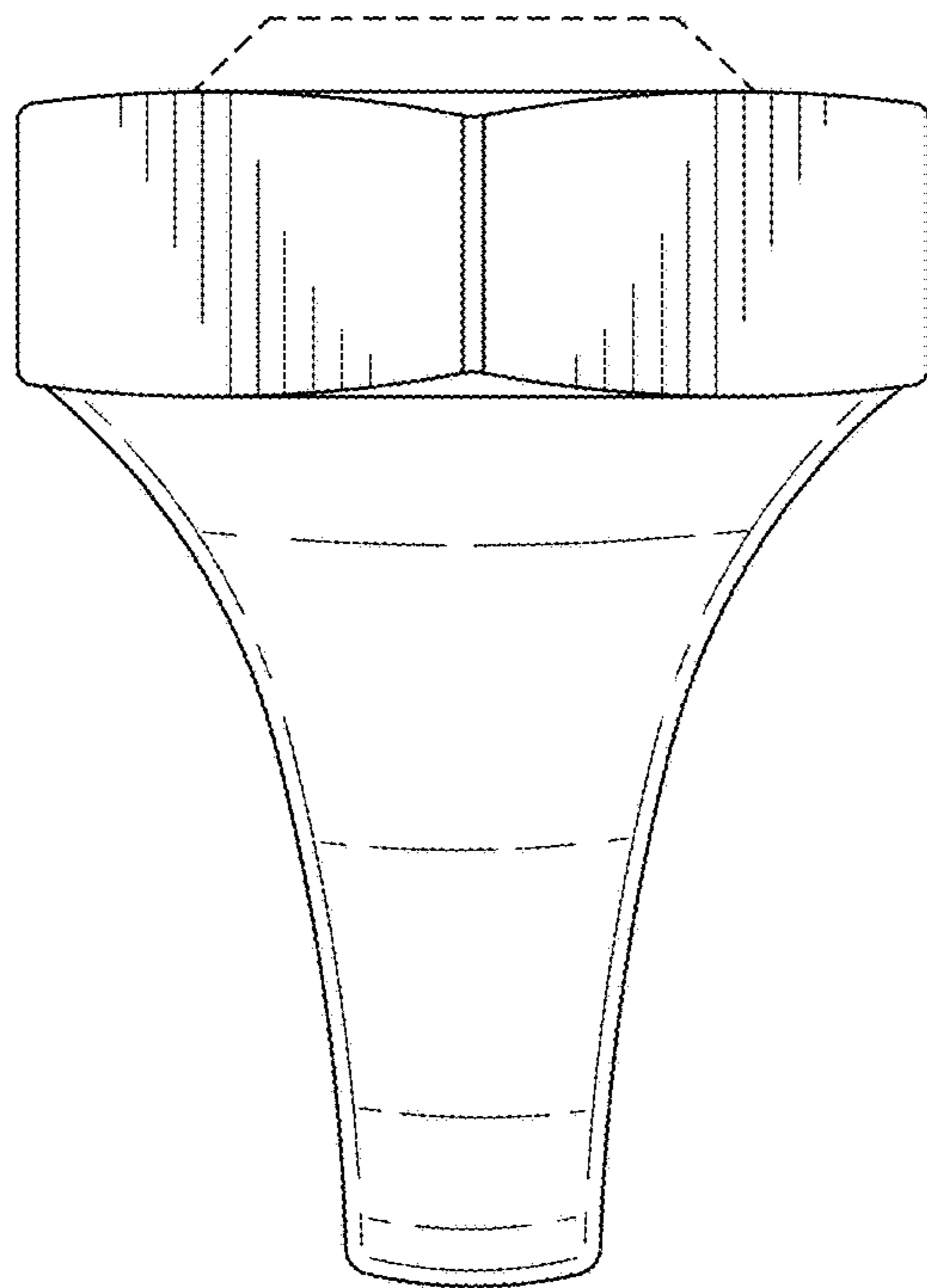


FIG. 5

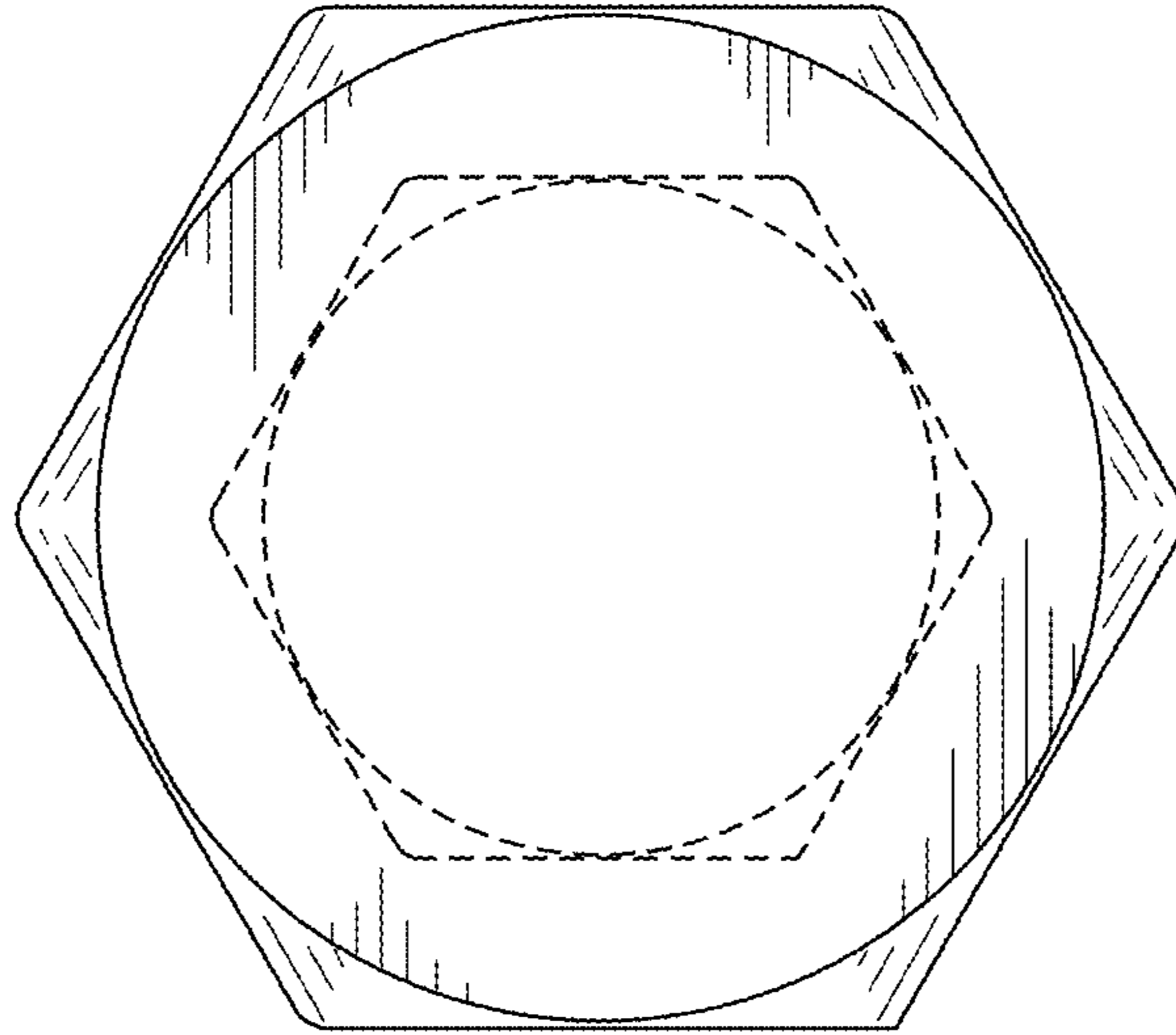


FIG. 6

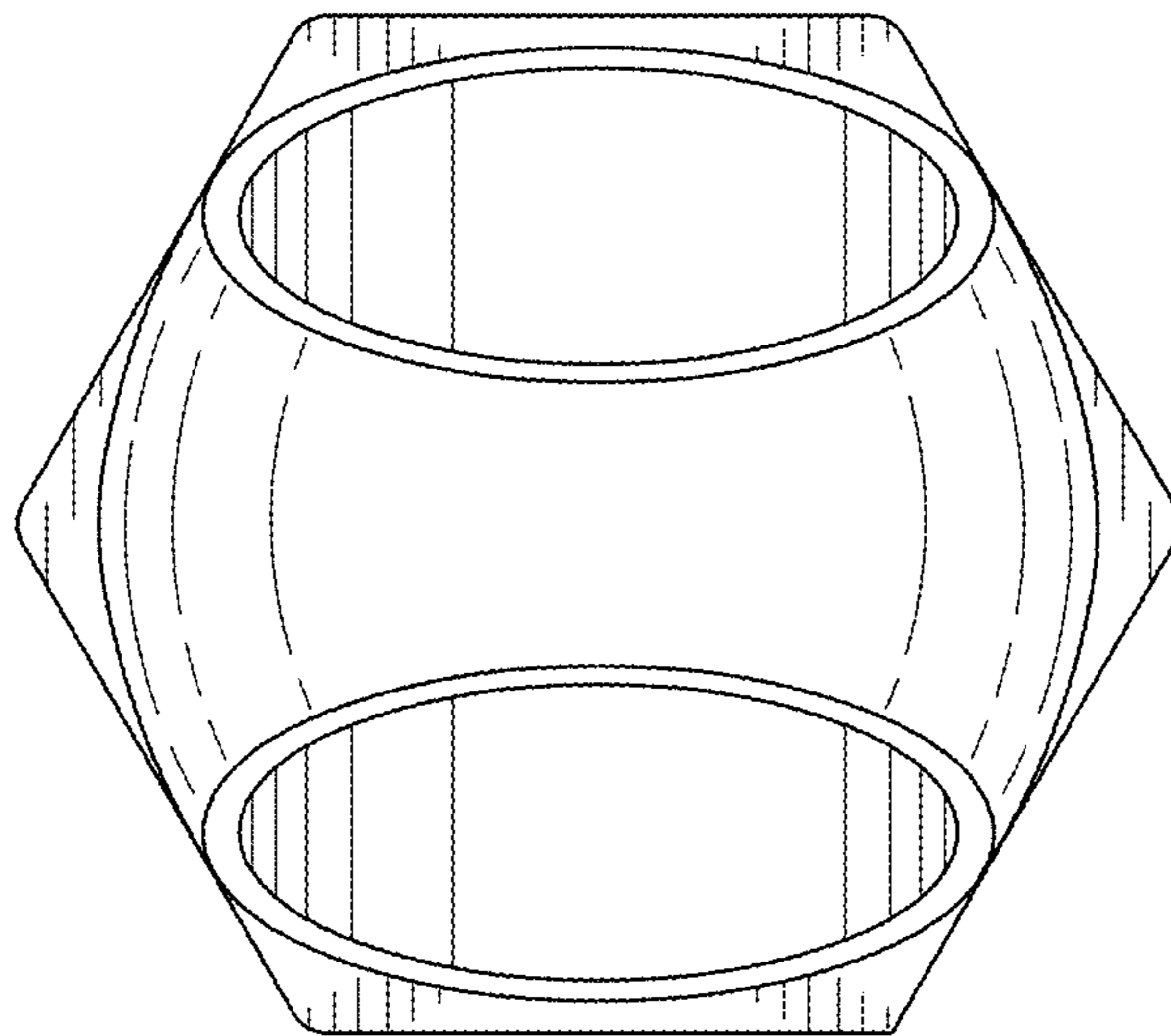


FIG. 7

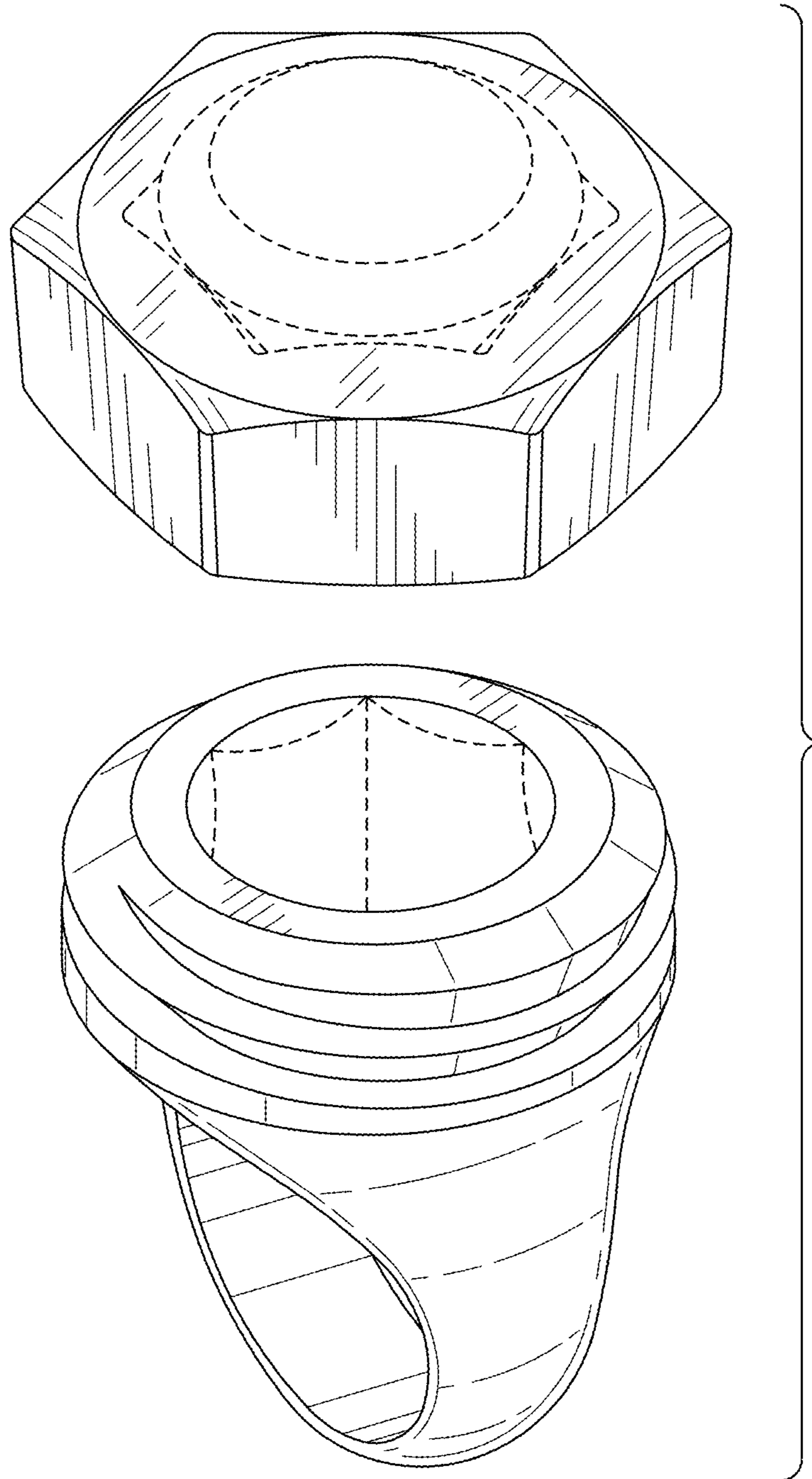


FIG. 8