



US00D807769S

(12) **United States Design Patent**
Dominguez

(10) **Patent No.:** **US D807,769 S**
(45) **Date of Patent:** **** Jan. 16, 2018**

- (54) **DIAL**
- (71) Applicant: **HARRY WINSTON SA,**
Plan-les-Ouates (CH)
- (72) Inventor: **Emmanuelle Dominguez,** Viry (FR)
- (73) Assignee: **Harry Winston SA,** Plan-les-Ouates
(CH)
- (**) Term: **15 Years**
- (21) Appl. No.: **29/576,810**
- (22) Filed: **Sep. 7, 2016**
- (30) **Foreign Application Priority Data**
Mar. 7, 2016 (WO) DM/089 704
- (51) **LOC (11) Cl.** **10-07**
- (52) **U.S. Cl.**
USPC **D10/123**
- (58) **Field of Classification Search**
USPC D10/14, 30-39, 65, 70, 122-132;
D11/79-86
CPC ... G04F 1/00; G04F 1/06; G04F 1/063; G04F
7/06; G04F 7/0861; G04F 7/0871; G04F
7/08; G04F 7/0804; G04F 7/0842; G04F
7/0876; G04B 19/00; G04B 19/02; G04B
19/04; G04B 19/06; G04B 19/08; G04B
19/26; G04B 19/24; G04B 39/00; G04B
39/002; G04B 39/004; G04B 39/006;
A01G 25/165; B05B 12/02
See application file for complete search history.

- (56) **References Cited**
U.S. PATENT DOCUMENTS
D81,830 S * 8/1930 Cohn D10/33
D104,044 S * 4/1937 Ornstein D10/33

- D256,679 S * 9/1980 Vaughan D10/1
- D263,571 S * 3/1982 Beier D11/103
- D278,037 S * 3/1985 Hattori D10/30
- D297,418 S * 8/1988 Thalgott D10/39
- D328,719 S * 8/1992 Kaneko D10/126
- D362,189 S * 9/1995 Chen D10/33
- D363,537 S * 10/1995 Moody D11/103
- D438,481 S * 3/2001 Green D10/123
- D519,850 S * 5/2006 Hensch D10/6
- D533,790 S * 12/2006 Arabo D10/33
- D539,179 S * 3/2007 Oas D10/70
- D542,165 S * 5/2007 Ayr-Popowski D10/106.1
- 7,252,430 B2 * 8/2007 Terzian G04G 17/00
368/282
- D564,910 S * 3/2008 Rabassa D10/39
- D575,667 S * 8/2008 Mudrick D11/103
- D592,408 S * 5/2009 Kuchinsky D6/308
- D599,683 S * 9/2009 Rabassa D10/39
- D729,096 S * 5/2015 Kamilindi D10/125
- D729,098 S * 5/2015 Abdourahim D10/125
- D730,750 S * 6/2015 Menard D10/122
- D767,431 S * 9/2016 Kamilindi D10/125

(Continued)

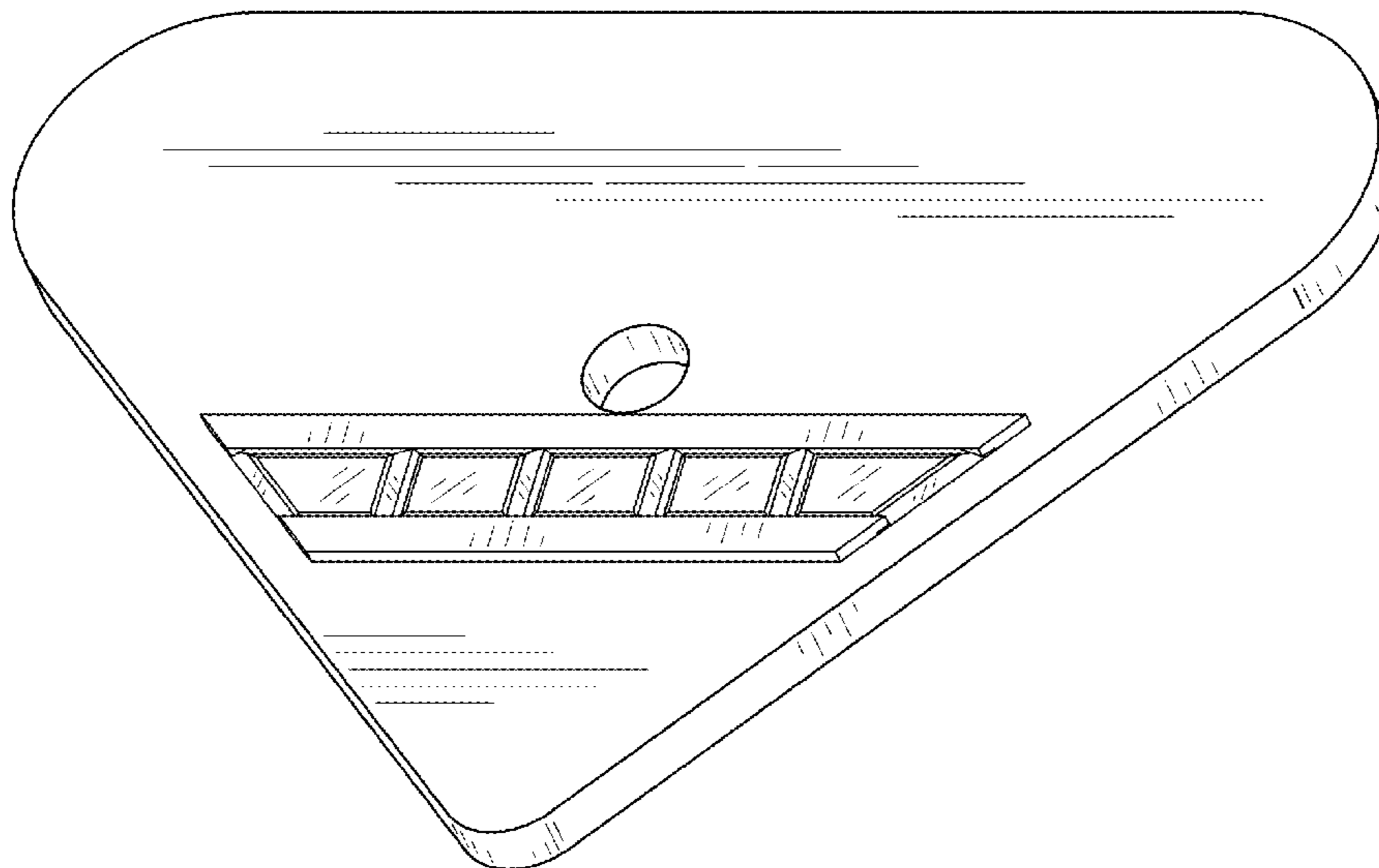
Primary Examiner — Sandra Snapp
Assistant Examiner — Katherine Glennon
(74) *Attorney, Agent, or Firm* — Blank Rome LLP

(57) **CLAIM**
The ornamental design for a dial, as shown.

DESCRIPTION

FIG. 1 is a front right perspective view of a dial showing my new design;
FIG. 2 is a front view thereof;
FIG. 3 is a rear view thereof;
FIG. 4 is a left side view thereof;
FIG. 5 is a right side view thereof;
FIG. 6 is a top view thereof;
FIG. 7 is a bottom view thereof; and,
FIG. 8 is a rear left perspective view thereof.

1 Claim, 5 Drawing Sheets



(56)

References Cited

U.S. PATENT DOCUMENTS

D781,737 S * 3/2017 Blootacker D10/126
D797,595 S * 9/2017 Dominguez D10/126

* cited by examiner

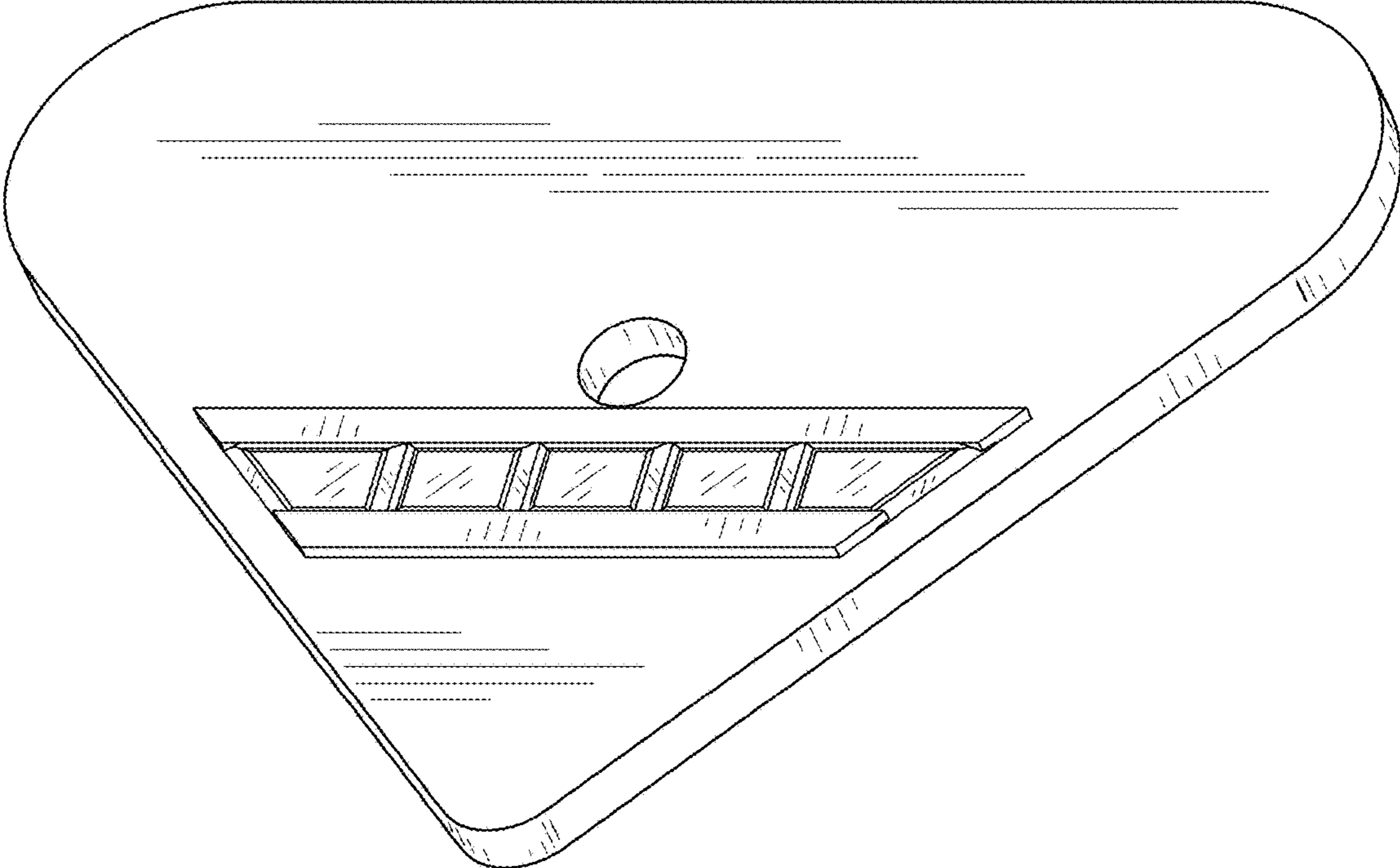


FIG. 1

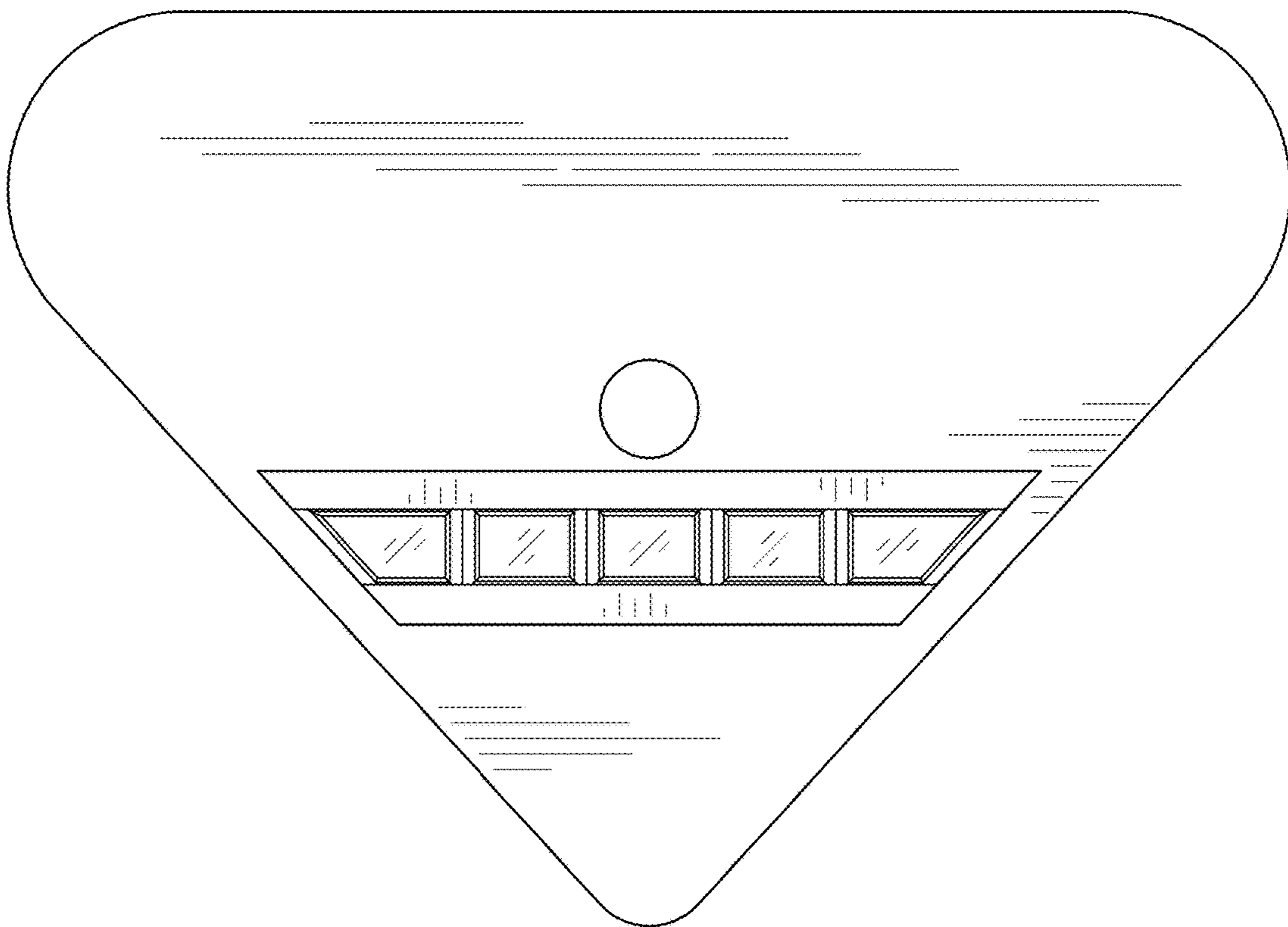


FIG. 2

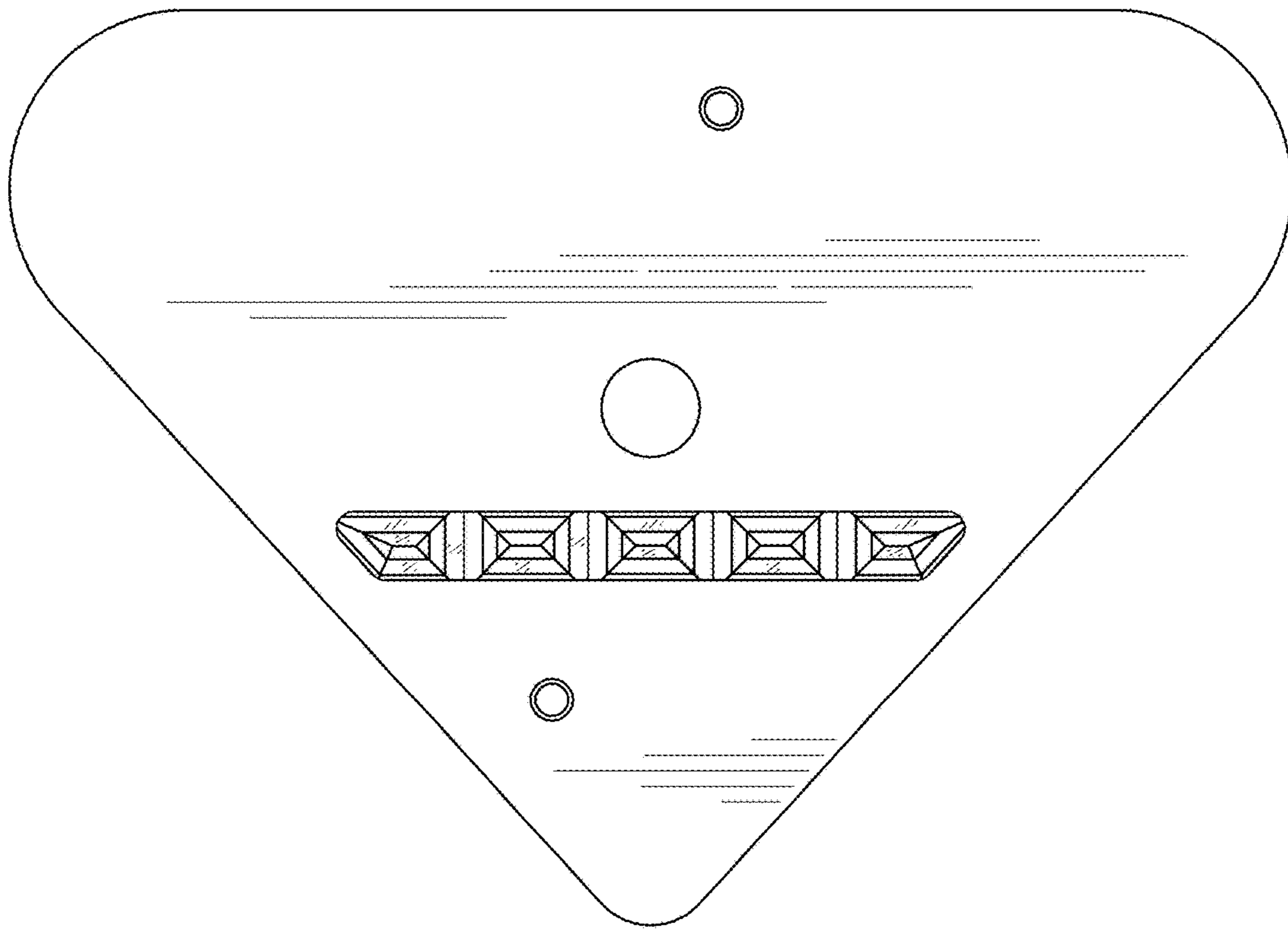


FIG. 3

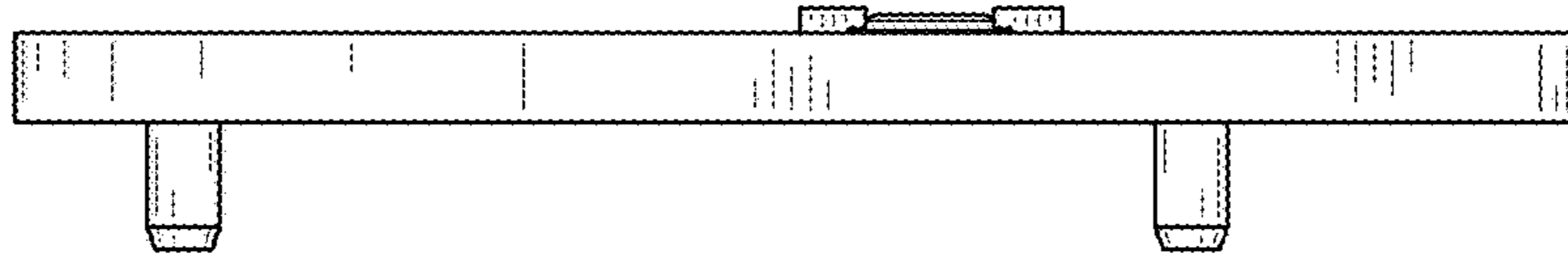


FIG. 4

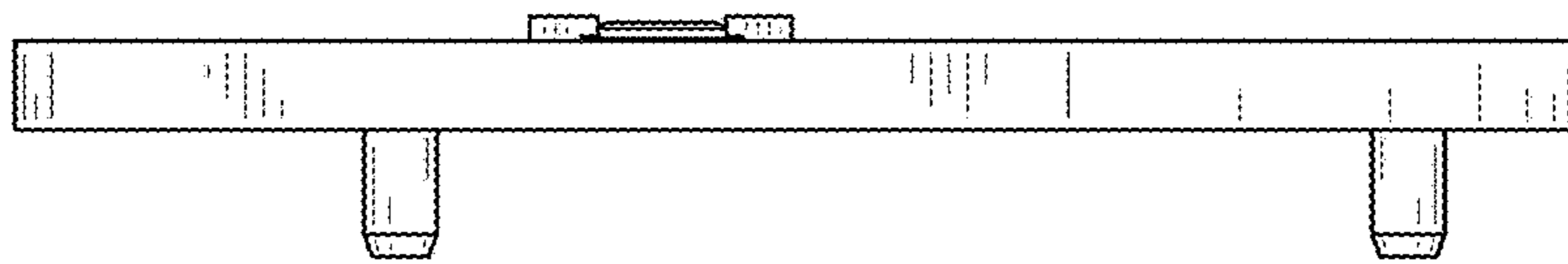


FIG. 5

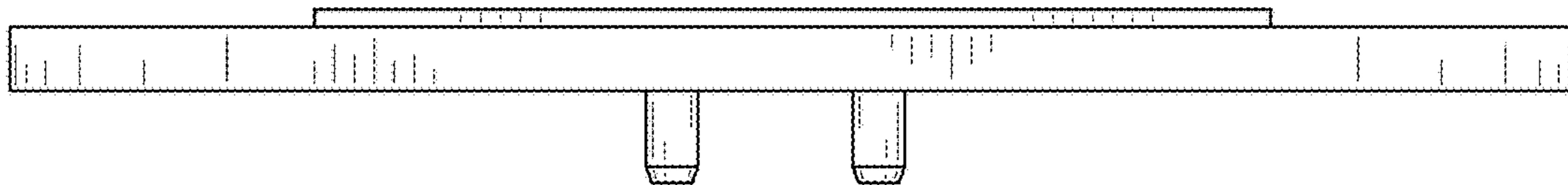


FIG. 6

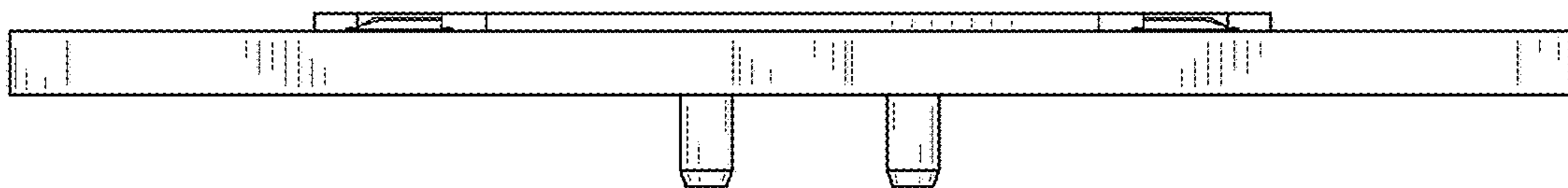


FIG. 7

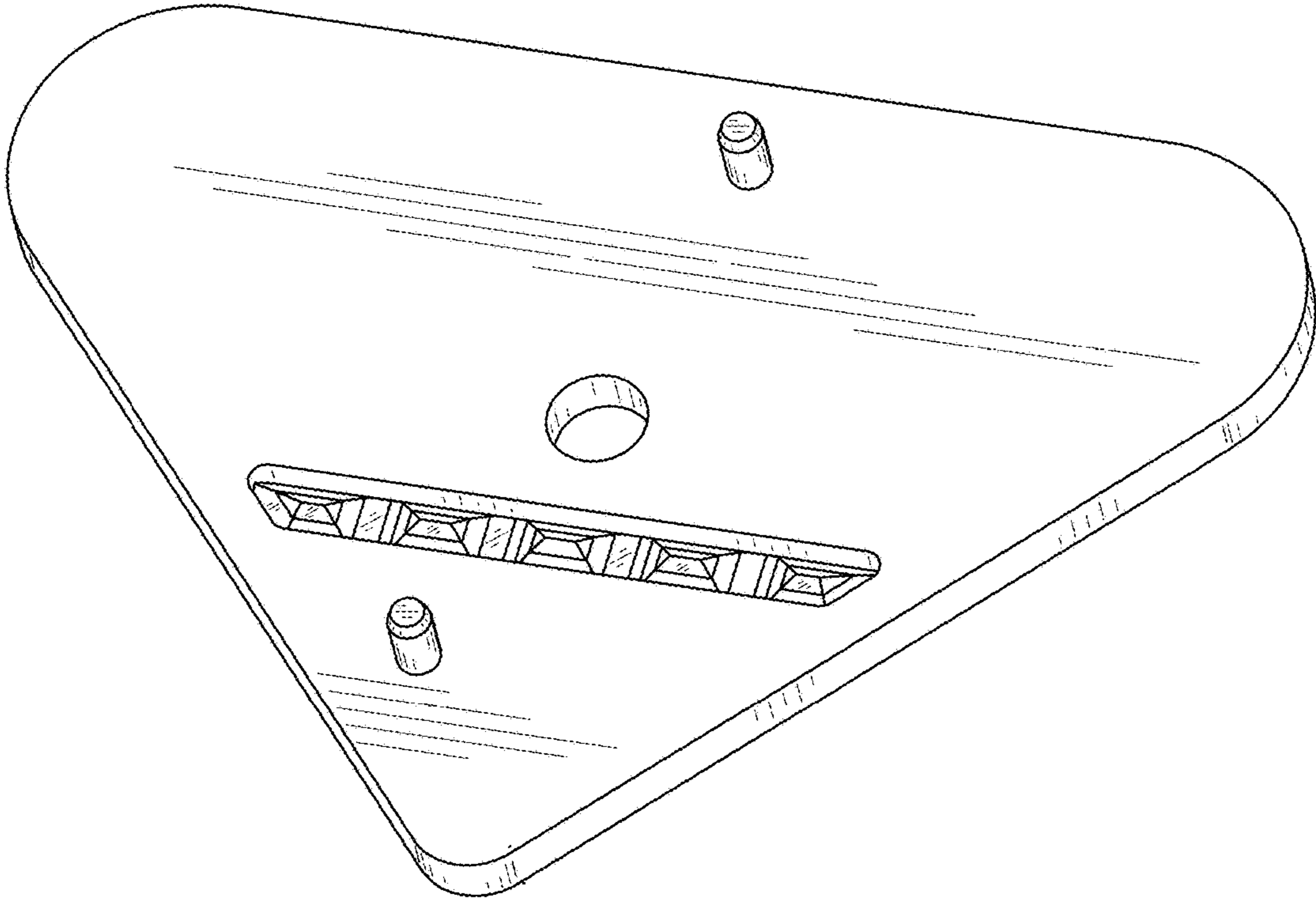


FIG. 8