



US00D807765S

(12) **United States Design Patent**
Akana et al.

(10) **Patent No.:** **US D807,765 S**

(45) **Date of Patent:** **** Jan. 16, 2018**

(54) **WEARABLE DEVICE**

(71) Applicant: **Apple Inc.**, Cupertino, CA (US)

(72) Inventors: **Jody Akana**, San Francisco, CA (US);
Bartley K. Andre, Palo Alto, CA (US);
Shota Aoyagi, San Francisco, CA (US);
Anthony Michael Ashcroft, San Francisco, CA (US);
Jeremy Bataillou, San Francisco, CA (US);
Daniel J. Coster, San Francisco, CA (US);
Daniele De Iulii, San Francisco, CA (US);
M. Evans Hankey, San Francisco, CA (US);
Julian Hoenig, San Francisco, CA (US);
Richard P. Howarth, San Francisco, CA (US);
Jonathan P. Ive, San Francisco, CA (US);
Duncan Robert Kerr, San Francisco, CA (US);
Marc A. Newson, London (GB);
Matthew Dean Rohrbach, San Francisco, CA (US);
Peter Russell-Clarke, San Francisco, CA (US);
Benjamin Andrew Shaffer, San Jose, CA (US);
Mikael Silvano, San Francisco, CA (US);
Christopher J. Stringer, Woodside, CA (US);
Eugene Antony Whang, San Francisco, CA (US);
Rico Zörkendörfer, San Francisco, CA (US)

(52) **U.S. Cl.**

USPC **D10/70**; D10/30; D10/103

(58) **Field of Classification Search**

USPC D10/30-39, 65, 70, 78, 97, 98, 103;
D14/138 R, 203.5, 203.6, 341, 344, 347;
D24/167, 168, 186

CPC A44C 5/00-5/16; G04B 37/00-37/228;
G04B 45/0069; G04B 19/00-19/34;
G04B 21/12; G04B 23/12; G04B 47/00-47/068; G01C 17/00; G01C 21/00-21/3697; G01C 22/00-22/025; G01C 23/00-23/005; G06F 19/3481; G06F 3/00-3/027; G06F 1/163; G01P 1/00-1/26; G01P 15/00-15/18; A63B 24/00-2024/0096; A63B 2213/00; A63B 69/0028; A63B 2071/0658-2071/0666; A63B 2220/00-2220/89; A63B 2225/02; A63C 11/02; A61B 5/0537; A61B 5/61-5/6898; G04R 20/02; G04C 10/00; G04C 10/02; G08B 21/0269; G08B 21/0272; G08B 21/0286; G08B 21/0288; G08B 21/0291; G08B 21/04-21/2454; G01S 19/00-19/55; G04G 9/0064; G04G 9/0005

See application file for complete search history.

(56) **References Cited**

U.S. PATENT DOCUMENTS

(73) Assignee: **Apple Inc.**, Cupertino, CA (US)

(**) Term: **15 Years**

(21) Appl. No.: **29/578,059**

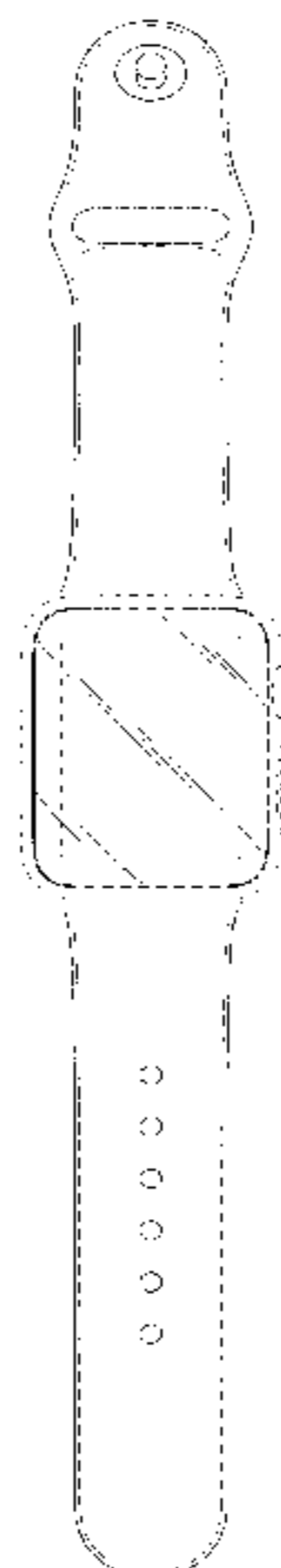
(22) Filed: **Sep. 19, 2016**

Related U.S. Application Data

(63) Continuation of application No. 29/537,173, filed on Aug. 24, 2015, now Pat. No. Des. 766,893, which is a continuation of application No. 29/499,088, filed on Aug. 11, 2014, now Pat. No. Des. 737,157.

(51) **LOC (11) Cl.** **10-04**

296,505 A	4/1884	Babbitt
851,288 A	4/1907	Hodges
1,165,262 A	12/1915	Jolly
1,962,037 A	6/1934	Schofer
D141,753 S	7/1945	Du Bois
2,451,749 A	10/1948	Kreisler
2,451,750 A	10/1948	Kreisler et al.
D152,491 S	1/1949	Osier
2,498,211 A	2/1950	Kreisler
3,030,686 A	4/1962	Burkhardt
3,233,801 A	2/1966	Schulenberg
3,640,065 A	2/1972	Lederrey et al.
3,665,565 A	5/1972	Kruger
3,675,284 A	7/1972	Rieth
3,983,483 A	9/1976	Pando
D269,254 S	6/1983	Kishimoto
D287,471 S	12/1986	Sato et al.
4,627,231 A	12/1986	Kiuchi



GB	1059756	5/1989
GB	2082277	6/1999
GB	3005267	8/2002
HK	0501949.8	12/2005
HK	1001605.7	12/2010
JP	H02310580 A	12/1990
JP	D1058606	1/2000
JP	D1204216	5/2004
JP	D1218830	10/2004
JP	D1236213	4/2005
JP	2005171013 A	6/2005
JP	2006288484 A	10/2006
JP	D1350063	2/2009
JP	D1423962	9/2011
JP	D1511746	11/2014
WO	DM/047140-001	5/1999
WO	DM/048231-004	8/1999
WO	DM/049177-024	11/1999
WO	DM/049512-006	12/1999
WO	DM/052261-005	8/2000
WO	DM/057659-011	11/2001
WO	DM/057659-012	11/2001
WO	DM/058718-003	3/2002
WO	DM/064910-005	3/2004
WO	DM/066491-004	3/2005
WO	DM/068702-001	9/2007
WO	DM072215	9/2009
WO	DM/077452-004	6/2011
WO	DM/076656-001	9/2011
WO	DM/080373-001	3/2013
WO	DM/080997-001	6/2013
WO	WO-2013182397 A1	12/2013
WO	WO-2014135709 A2	9/2014

OTHER PUBLICATIONS

22mm Interlocking Stainless Steel Mesh Divers Watch Band Bracelet, XX, <<http://www.strapcode.com/store/22mm-interlocking-stainless-steel-mesh-divers-watch-band-bracelet-p-1255html>>, accessed on Dec. 4, 2014.

28mm Reform Stainless Steel “Shark” Polished Mesh Watch Band Deployant Strap, <http://www.ebay.com/itm/28mm-Reform-Stainless-Steel-SHARK-Polished-Mesh-Watch-Band-Deployant-Strap-/231397551849?pt=US_Watch_Bands&hash=item35e05e6ee9>, accessed Dec. 4, 2014.

Adams, Ariel, “Max Bill By Junghans Watches For 2010,” A Blog to Watch.com, <<http://www.ablogtowatch.com/max-bill-by-junghans-watches-for-2010/>>, dated Mar. 25, 2010.

Alvarez, Edgar, “Basis Peak to get its smartwatch-like features in December,” engadget.com, <<http://www.engadget.com/2014/11/20/basis-peak-new-features/>>, dated Nov. 20, 2014, accessed Dec. 15, 2014.

“Brand New Ikepod Grey or Orange Rubber Strap , Hemipode , Marc Newson Design,” accessed at <http://www.ebay.com/itm/BRAND-NEW-IKEPOD-GREY-OR-ORANGE-RUBBER-STRAP-HEMIPODE-MARC-NEWSON-DESIGN-/291133335907>, last updated Nov. 30, 2014, 3 pages.

Calar Zhao, “SW102 bluetooth bracelet watch smart healthy Silicone Wristband sports watch Time Display/Caller ID/ alarm/Pedometer + Freeship”, accessed at <<http://www.aliexpress.com/item/SW102-bluetooth-bracelet-watch-smart-healthy-Silicone-Wristband-sports-watch-Time-Display-Caller-ID-alarm-Pedometer/2039225352.html>>, accessed on Nov. 26, 2014.

Cool Material, “Braun Square Digital Watch,” <<http://web.archive.org/web/20111125033014/http://coolmaterial.com/style/braun-square-digital-watch/>>, dated Nov. 25, 2011, accessed Dec. 18, 2014.

Emily, “Nixon—The Newton Digital,” <<http://www.freshnessmag.com/2009/09/08/nixon-the-newton-digital/>>, freshnessmag.com, dated Sep. 8, 2009, accessed Oct. 9, 2014.

etsy.com, “1 Set Silver End Cap Clasp—Findings Large Toggle Clasp End Caps Buckle Connector with Five Inside Loops for Jewelry Making 26mm,” <<http://www.etsy.com/listing/101269004/1-set-silver-end-cap-clasp-findings?ref=market>>, Listed on Aug. 29, 2014, accessed Oct. 9, 2014.

Fitbit, “Fitbit Surge™ Fitness Super Watch” <<https://www.fitbit.com/surge>>, accessed Dec. 15, 2014.

geekbuying.com, “Makibes unisex red led digital wrist watch with square case silicone watchband—white,” <<http://www.geekbuying.com/item/Unisex-Red-LED-Digital-Wrist-Watch-with-Square-Case-Silicone-Watchband---White-326443.html>>, accessed Oct. 9, 2014.

Hadley Roma, Hadley-Roma Men’s MB3836RWSE 20 20-mm Stainless Steel Heavy Mesh Watch Strap, <http://www.amazon.com/Hadley-Roma-MB3836RWSE-20-20-mm-Stainless/dp/B005EJFWFA/ref=sr_1_213?ie=UTF8&qid=1416670549&sr=8-213&keywords=watch+band>, accessed Dec. 4, 2014.

Haedges, “1 Set Silver End Cap Clasp—Findings Large Toggle Clasp End Caps Buckle Connector with Five Inside Loops for Jewelry Making 26mm,” <<http://www.etsy.com/listing/101269004/1-set-silver-end-cap-clasp-findings?ref=market>>, Listed on Aug. 29, 2014, accessed Oct. 9, 2014.

Hodinkee.com, “Apple iPod Nano Now Available With Mickey Mouse Dial, Also Cheesy, Mechanically Inaccurate Open-Worked Dial,” <<http://web.archive.org/web/20111006043916/http://www.hodinkee.com/blog/2011/10/5/apple-ipod-nano-now-available-with-mickey-mouse-dial-also-ch.html>>, dated Oct. 6, 2011, accessed Dec. 18, 2014.

HOMEGO, “M6 Silver Smart Watch Cell Phone 1.54 inch Bluetooth 3.0 Dialer Outdoor Sports Pedometer,” amazon.com, <<http://www.amazon.com/Silver-Bluetooth-Dialer-Outdoor-Pedometer/dp/B00MQTBGK6>>, accessed Dec. 15, 2014.

Ikepod, “Original Ikepod Watch With GMT—Marc Newson Design,” Watchbox.be, <<http://www.watchbox.be/prod/Other-Watches/Marc%20Newson%20Design/item7165.htm#VJLm2fAo5D8>>, accessed Dec. 17, 2014.

LG Life’s Good, “LG G Watch (W100),” <<http://www.lg.com/us/smart-watches/lg-W100-g-watch>>, accessed Dec. 18, 2014.

Metawatch, “Frame—Black (MW3005),” <<http://meta.watch/collections/smartwatch-all/products/frame-ss-black-leather>>, accessed Dec. 15, 2014.

Omate, “Omate TrueSmart: Water-resistant standalone Smartwatch 2.0,” <<http://www.kickstarter.com/projects/omate/omate-truesmart-water-resistant-standalone-smartwa>>, dated Aug. 21, 2013, accessed Oct. 8, 2014.

Omate, “The TrueSmart™ is the world’s first standalone smartwatch 2.0 running on top of Android and OUI 2.0,” <<http://www.omate.com/product.html>>, accessed Dec. 15, 2014.

[Online] <http://blogs-images.forbes.com/robertpearl/files/2014/10/Apple-Watch-health-fitness-white-blue-1940x1231.jpg> . Retrieved Feb. 4, 2015.

[Online] http://jewelrynewsnetwork.blogspot.com/2014_01_01_archive.html. Retrieved Mar. 17, 2015. Posted online Jan. 30, 2014.

[Online] https://lh6.googleusercontent.com/zOUR6N5g8fH1ouyyCpl7PGTLCMGI_hor1fADdMLMKdwkxkbhVSU1zk-xdirsUk-KxTsHxN_In6WDNHZLo8HNhjGB7GWEXqtMA5bngmvH_MByEitDmuAc0TuFk86vYCArcw. Retrieved Feb. 17, 2015.

[Online] <https://s-media-cache-ak0.pinimg.com/736x/bd/9d/7d/bd9d7d7b5618e1518d744dd28c999fc4.jpg>. Retrieved Mar. 31, 2015.

[Online] https://s.yimg.com/cd/resizer/2.0/FIT_TO_WIDTH-w500/8088fe4930fb9d97123f776d1cdcb7ca585d7485.jpg. Retrieved Feb. 17, 2015.

[Online] http://timerecs.com/imgs/a/c/s/v/b/ikepod_hemipode_marc_newson_marcus_limited_limited_edition_black_dic_chronograph_46mm_5_lgw.jpg. Retrieved Mar. 31, 2015.

[Online] <http://www.ablogtowatch.com/10-interesting-facts-marc-newson-watch-design-work-ikepod/>. Retrieved Mar. 17, 2015. Posted online Sep. 9, 2014.

[Online] <http://www.imedicalapps.com/wp-content/uploads/2014/09/watch-dm.jpg> . Retrieved Feb. 4, 2015.

Pebble, “Pebble Smartwatch,” getpebble.com, <<https://getpebble.com/checkout>>, accessed Dec. 15, 2014.

Ruano, L., “Ikepod Solaris Watch by Marc Newson,” Hypebeast.com, <<http://hypebeast.com/2009/1/ikepod-solaris-watch-by-marc-newson>>, dated Jan. 12, 2009.

Samsung, “Samsung Gear™ 2 Charcoal Black SM-R3800VSAXAR,” <<http://www.samsung.com/us/mobile/wearable-tech/SM-R3800VSAXAR>>, accessed Dec. 15, 2014.

Samsung, “Samsung Gear S™, (Sprint), Black SM-R750PZKASPR,” <<http://www.samsung.com/us/mobile/wearable-tech/SM-R750PZKASPR>>, accessed Dec. 15, 2014.

Samsung, “Galaxy Gear™ Live, Black SM-R3820ZKAXAR,” <<http://www.samsung.com/us/mobile/wearable-tech/SM-R3820ZKAXAR>>, accessed Dec. 15, 2014.

Sony, “SmartWatch,” <<http://www.sonymobile.com/us/products/accessories/smartwatch/>>, accessed Dec. 15, 2014.

Sony, “SmartWatch 3 SWR50,” <<http://www.sonymobile.com/us/products/smartwear/smartwatch-3-swr50/>>, accessed Dec. 15, 2014.

Stables, James, “Clevercare smartwatch aims to help Alzheimer’s suffers and carers: Revamped Sony SmartWatch 2 designed for users that need care,” Wearable News, <<http://www.wearable.com/wearable-tech/clevercare-smartwatch-aims-to-help-alzheimers-suffers-and-carers-585>>, dated Dec. 15, 2014.

Team Luxe, “Collector’s Edition: Hermes Carre H Watch,” Luxpresso, <<http://luxpresso.com/news-couture/collectors-edition-hermes-carre-h-watch/2814>>, dated Jan. 10, 2011, accessed Dec. 18, 2014.

Ted Baker, “Ted Baker Men’s TE1054 Time Flies Contemporary Square Digital Case Watch,” <<http://www.amazon.com/Ted-Baker-TE1054-Contemporary-Digital/dp/B0045CRTYO%3FSubscriptionId%3DAKIAJ3U4YRIBWCGGKZ2A%26tag%3Dfrases365-20%26linkCode%3Dsp1%26camp%3D2025%26creative%3D165953%26creativeASIN%3DB0045CRTYO>>, accessed Oct. 9, 2014.

The Alt Team, “Ziiiro Celeste Watch Hands-On”, Dec. 12, 2012, <<http://www.gadgetmac.com/alt/ziiiro-celeste-watch-hands-on.html>>, accessed Dec. 4, 2014.

Velazco, Chris, “ASUS ZenWatch review: subtle and stylish, with a few shortcomings,” Engadget.com, <<http://www.engadget.com/2014/12/11/asus-zenwatch-review/>>, dated Dec. 11, 2014, accessed Dec. 15, 2014.

Watches Infoniac.com, “Hermes Carre H Watch—Extremely Contemporary Design,” <<http://watches.infoniac.com/carre-h-watch-hermes.html>>, dated Aug. 13, 2010, accessed Dec. 18, 2014.

Watchismo, “Braun BN0042 Black Date Leather,” <<http://web.archive.org/web/20130815073830/http://www.watchismo.com/braun-bn0042bkbk.aspx>>, dated Aug. 15, 2013, accessed Dec. 18, 2014.

“Louis Moinet Geograph,” posted at worldwatchreview.com, dated Mar. 14, 2011. Available from Internet: <<http://www.worldwatchreview.com/2011/03/14/louis-moinet-geograph-limited-edition/>>. Retrieved Oct. 10, 2017.

Retrieved Oct. 10, 2017.

“Innovative Components Knurled Knob K4 Master,” posted at knobsource.com/catalog_prints.html, Posting date unknown, Drawing dated Nov. 27, 2007. Available from Internet: <<http://www.knobsource.com/pdf/k4-master-rev-0.pdf>>. Retrieved Oct. 10, 2017.

U.S. Appl. No. 29/499,071, filed Aug. 11, 2014; Akana et al.

U.S. Appl. No. 29/499,075, filed Aug. 11, 2014; Akana et al.

U.S. Appl. No. 29/499,081, filed Aug. 11, 2014; Akana et al.

U.S. Appl. No. 29/499,082, filed Aug. 11, 2014; Akana et al.

U.S. Appl. No. 29/499,090, filed Aug. 11, 2014; Akana et al.

U.S. Appl. No. 29/501,624, filed Sep. 5, 2014; Akana et al.

* cited by examiner

Primary Examiner — Antoine Duval Davis
(74) *Attorney, Agent, or Firm* — Sterne, Kessler, Goldstein & Fox P.L.L.C.

(57)

CLAIM

The ornamental design for a wearable device, as shown and described.

DESCRIPTION

FIG. 1 is a front view of a wearable device showing the claimed design;

FIG. 2 is a rear view thereof;

FIG. 3 is a right side view thereof;

FIG. 4 is a left side view thereof;

FIG. 5 is a top view thereof; and,

FIG. 6 is a bottom view thereof.

The oblique shade lines in the figures show a transparent, reflective, or shiny surface, and not surface ornamentation.

The broken lines in the figures show portions of the wearable device that form no part of the claimed design.

1 Claim, 4 Drawing Sheets

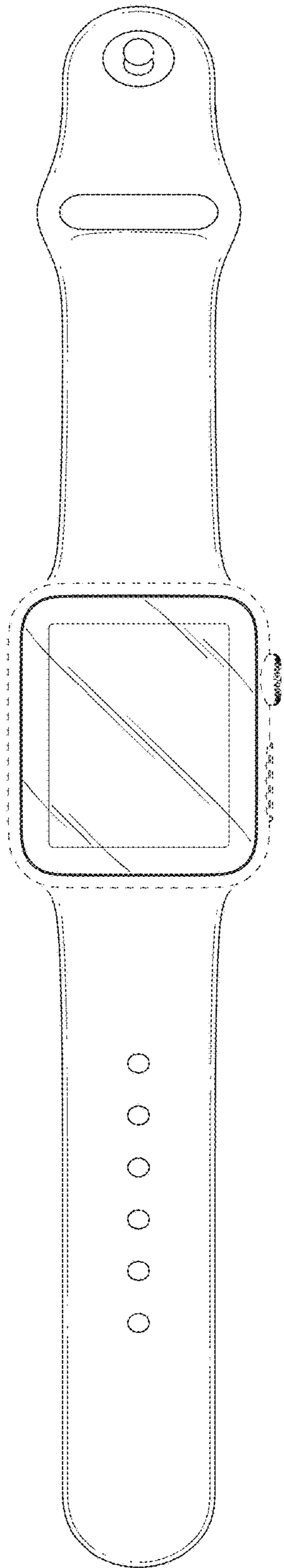


FIG. 1

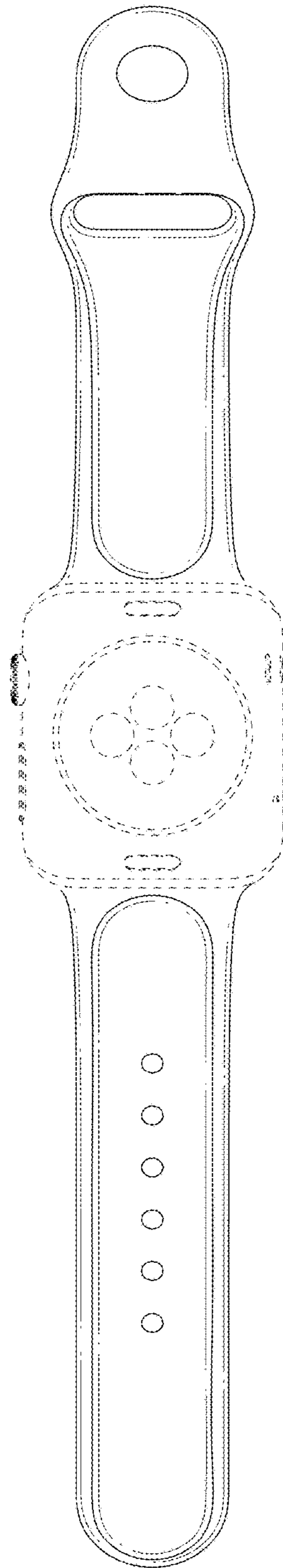


FIG. 2

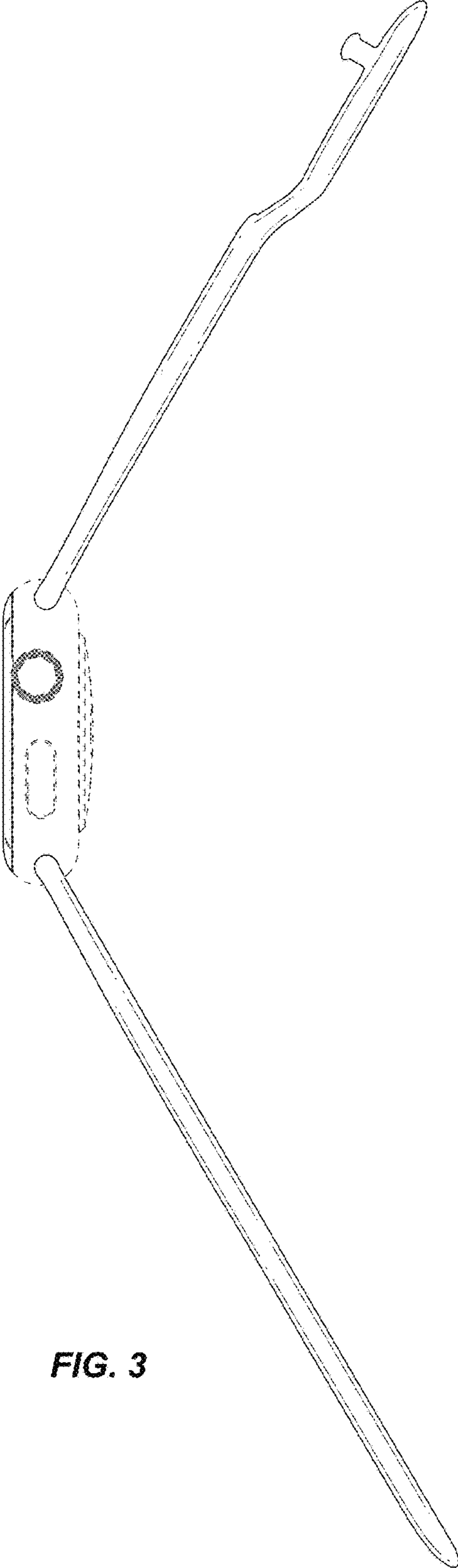


FIG. 3

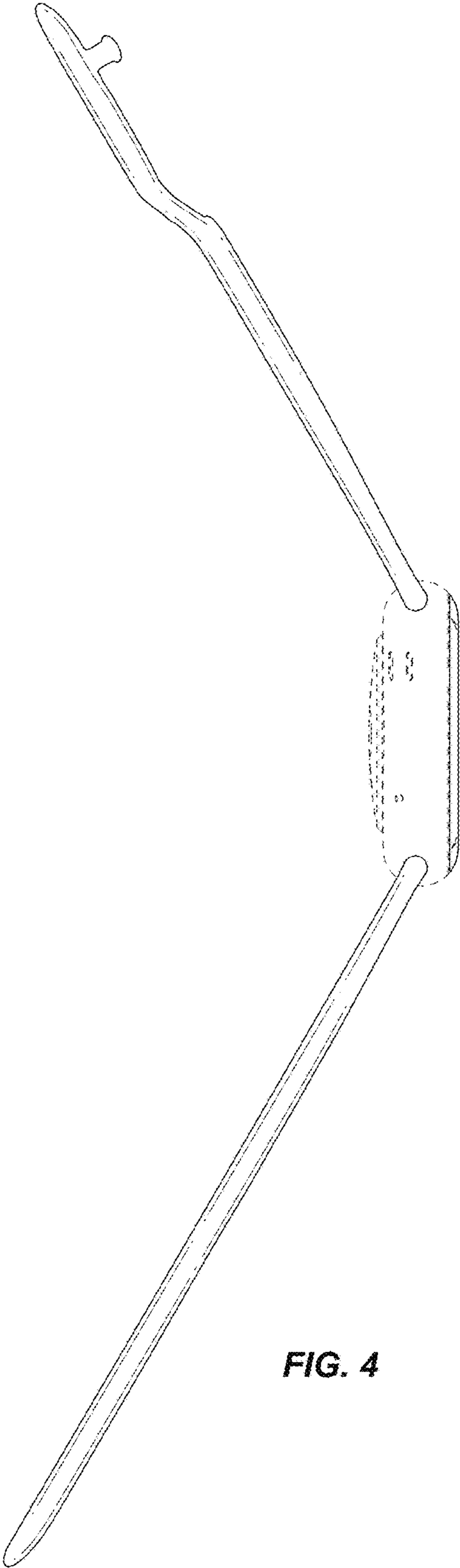


FIG. 4

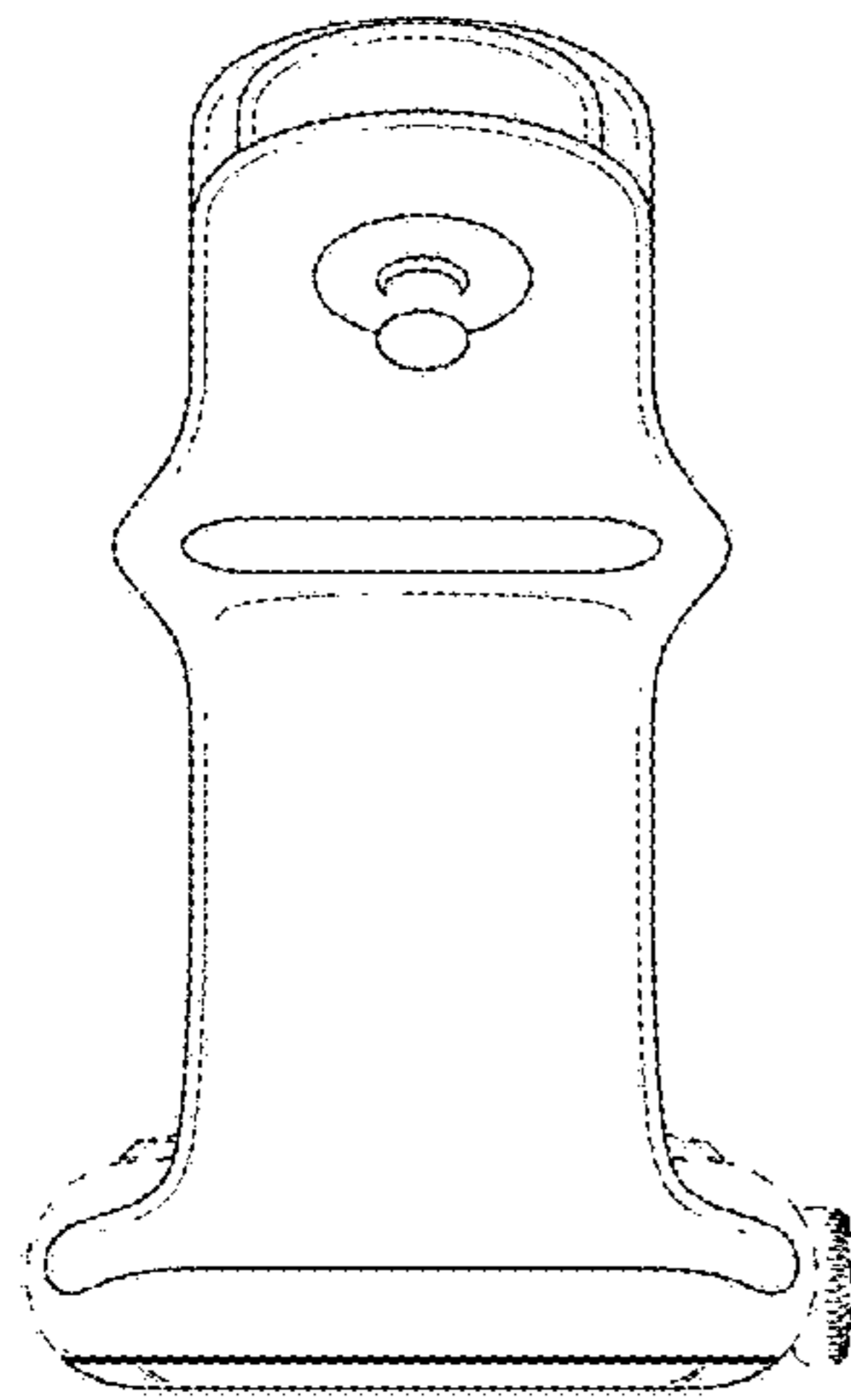


FIG. 5

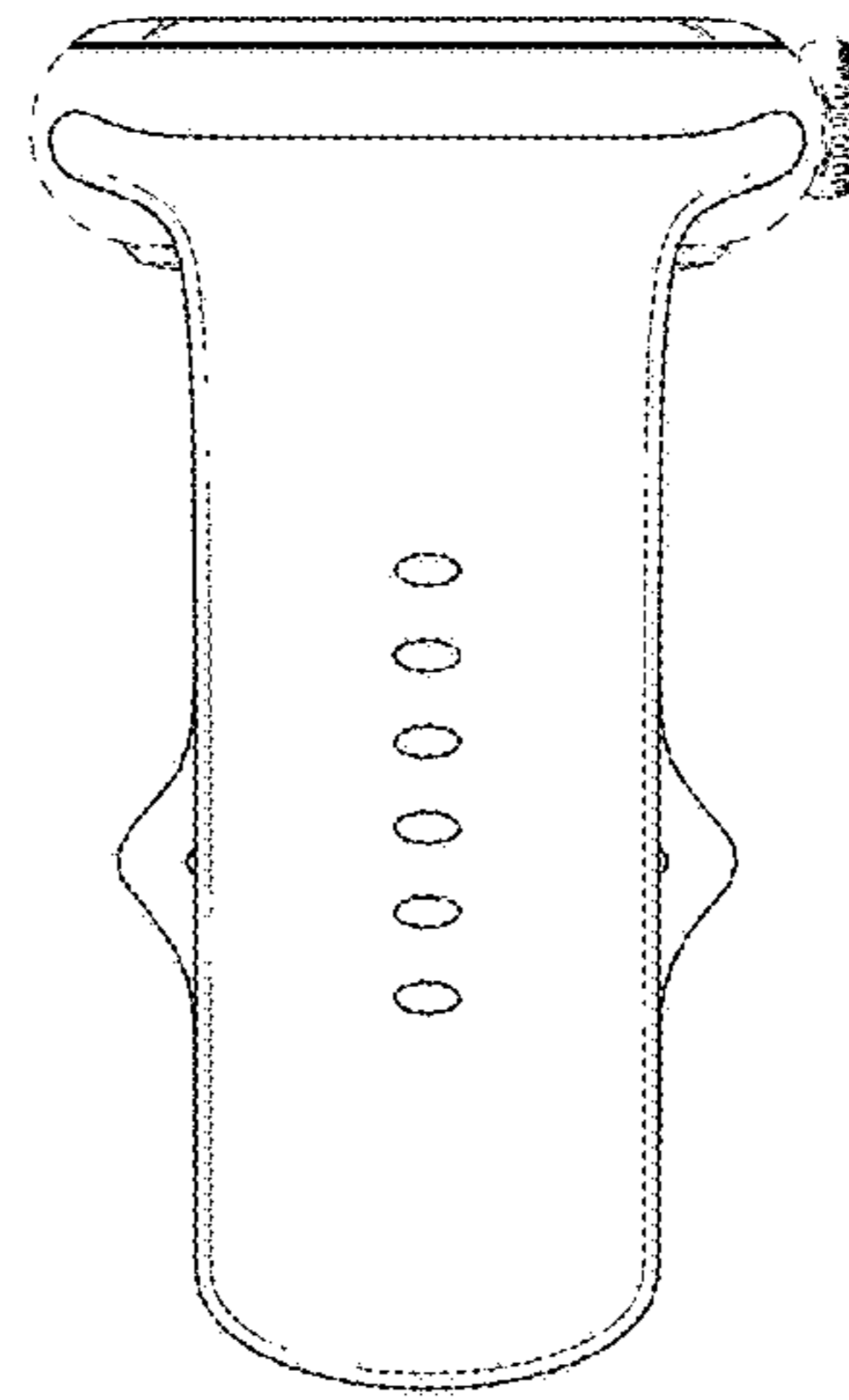


FIG. 6