



US00D807758S

(12) **United States Design Patent**
Kim et al.

(10) **Patent No.:** **US D807,758 S**

(45) **Date of Patent:** **** Jan. 16, 2018**

(54) **COSMETIC CONTAINER**

A45D 40/24; A45D 40/12; A45D 40/18;
A45D 34/04; A45D 34/06; A45D 34/041

(71) Applicant: **YONWOO CO., LTD.**, Incheon (KR)

See application file for complete search history.

(72) Inventors: **You-Seob Kim**, Incheon (KR);
Min-goo Kim, Incheon (KR); **Ung-Hee Lee**,
Incheon (KR); **Kang-Jin Lee**,
Incheon (KR)

(56) **References Cited**

U.S. PATENT DOCUMENTS

(73) Assignee: **YONWOO CO., LTD.**, Incheon (KR)

D399,417 S *	10/1998	Meausoone	D9/697
D405,354 S *	2/1999	Meausoone	D9/697
D488,059 S *	4/2004	Mounier	D9/697
D533,787 S *	12/2006	Kenyon	D9/682
D664,862 S *	8/2012	Smith	D9/695
D766,098 S *	9/2016	Seo	D9/695
D766,099 S *	9/2016	Kim	D9/697

(**) Term: **15 Years**

* cited by examiner

(21) Appl. No.: **29/581,773**

Primary Examiner — Abraham Bahta

(22) Filed: **Oct. 21, 2016**

(74) *Attorney, Agent, or Firm* — Marshall, Gerstein &
Borun LLP

(30) **Foreign Application Priority Data**

Apr. 22, 2016 (KR) 30-2016-0019382

(51) **LOC (11) Cl.** **09-03**

(52) **U.S. Cl.**
USPC **D9/697**

(57) **CLAIM**

The ornamental design for a cosmetic container, as shown
and described.

(58) **Field of Classification Search**

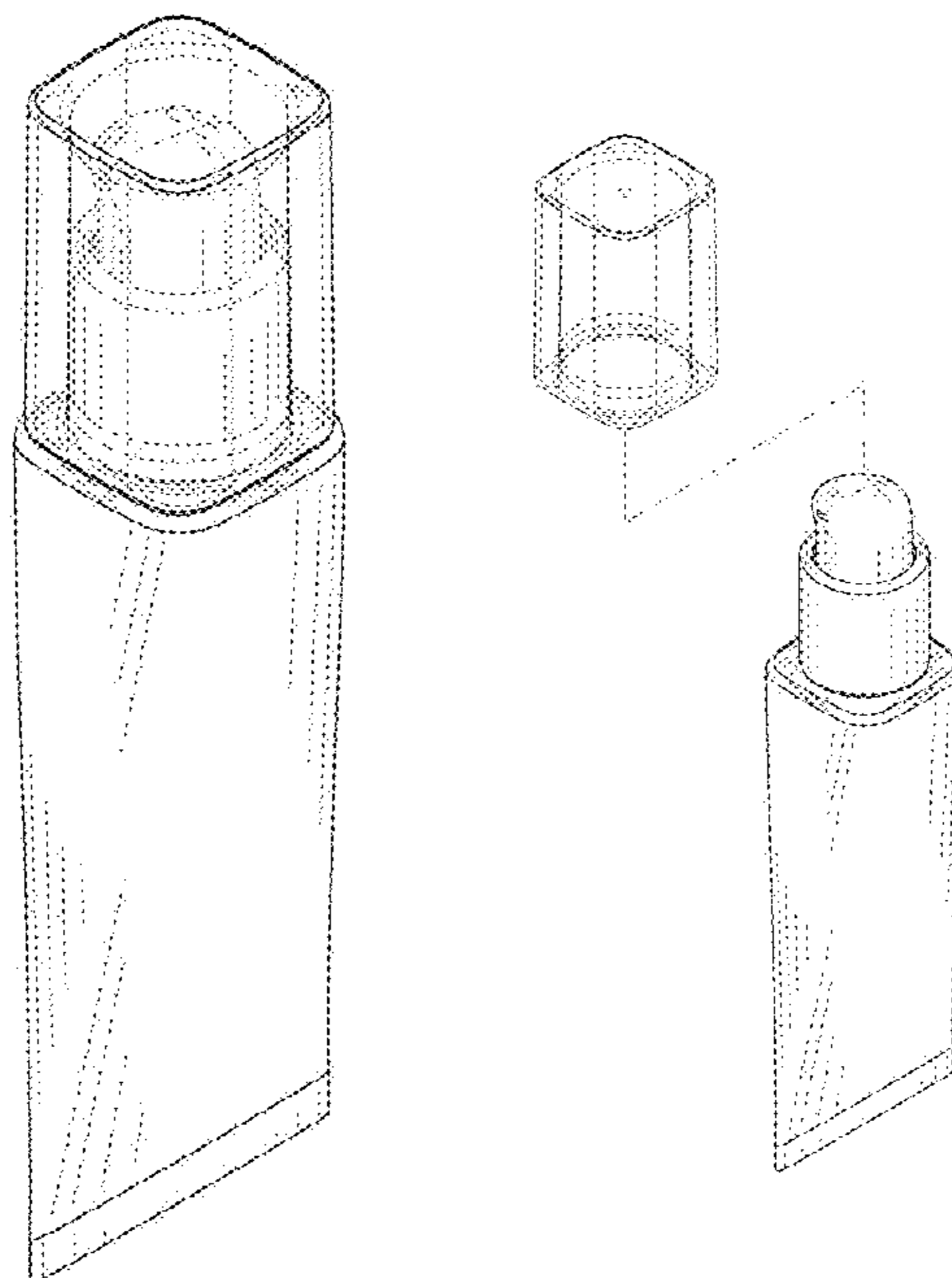
DESCRIPTION

USPC D9/702-714, 695-699, 435, 440, 521,
D9/454, 544, 723-724, 499, 449,
D9/727-728, 442, 447, 504; 222/92, 96,
222/107, 527-529, 215, 491, 206,
222/212-213, 251, 95, 536; 206/438,
206/822; 220/DIG. 7, 669; 215/321,
215/381, 382, 316, 380; 141/114-115;
D28/91.1, 76-78, 82, 88; D4/114;
D3/202-205; D7/601-602

CPC B65D 35/00; B65D 35/28; B65D 35/02;
B65D 35/08; B65D 35/36; B65D 35/38;
B65D 1/00; B65D 1/32; A45D 40/00;

FIG. 1 is a perspective view of a cosmetic container showing
my new design;
FIG. 2 is a front elevational view thereof;
FIG. 3 is a rear elevational view thereof;
FIG. 4 is a left side elevational view thereof,
FIG. 5 is a right side elevational view thereof;
FIG. 6 is an enlarged top plan view thereof;
FIG. 7 is an enlarged bottom plan view thereof; and,
FIG. 8 is a perspective view thereof, illustrated with the cap
of the cosmetic container removed.

1 Claim, 8 Drawing Sheets



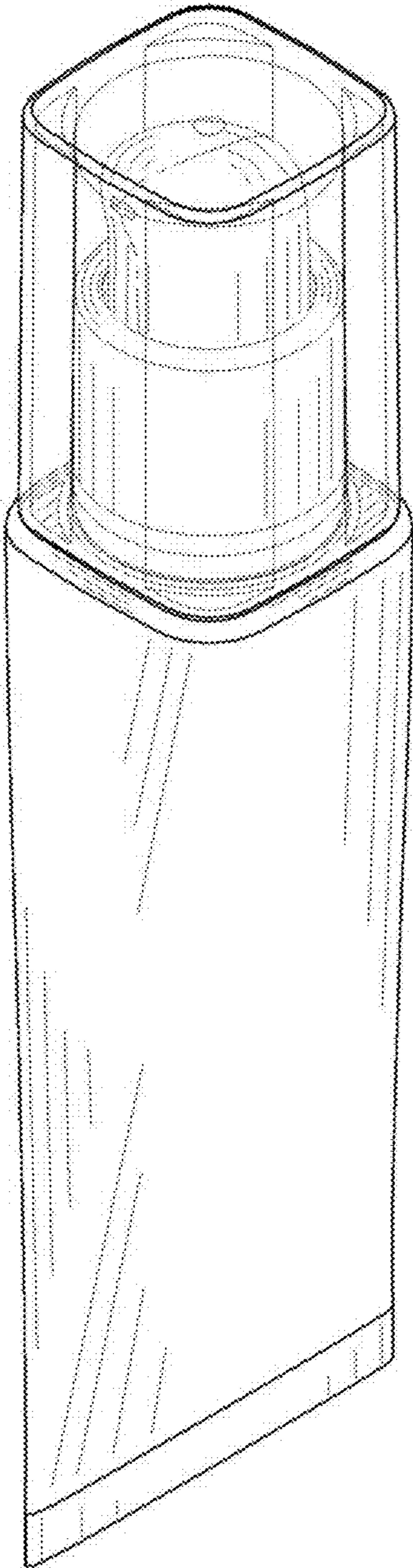


FIG. 1

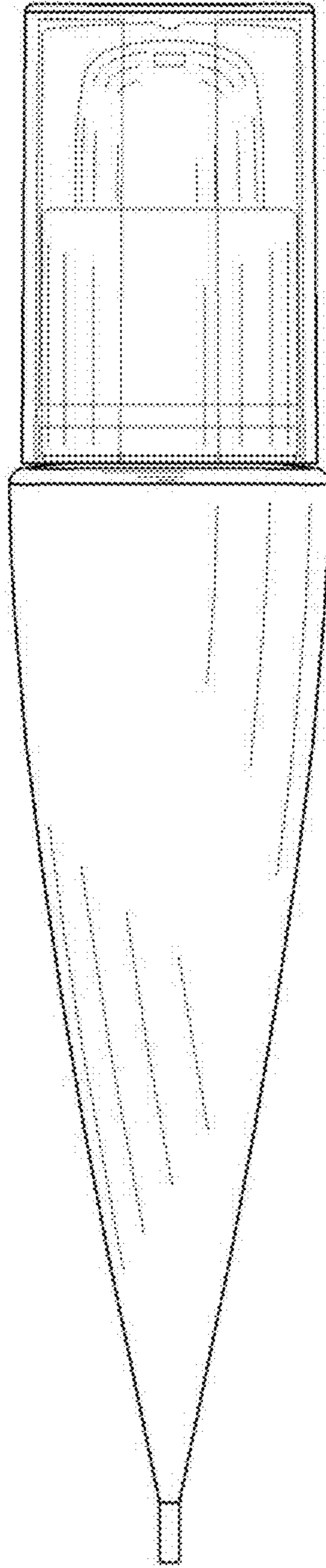


FIG. 2

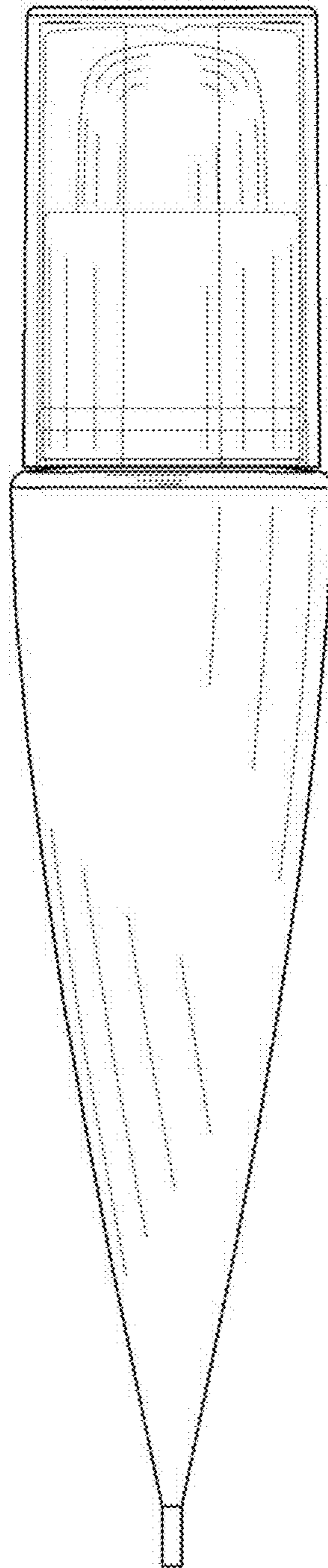


FIG. 3

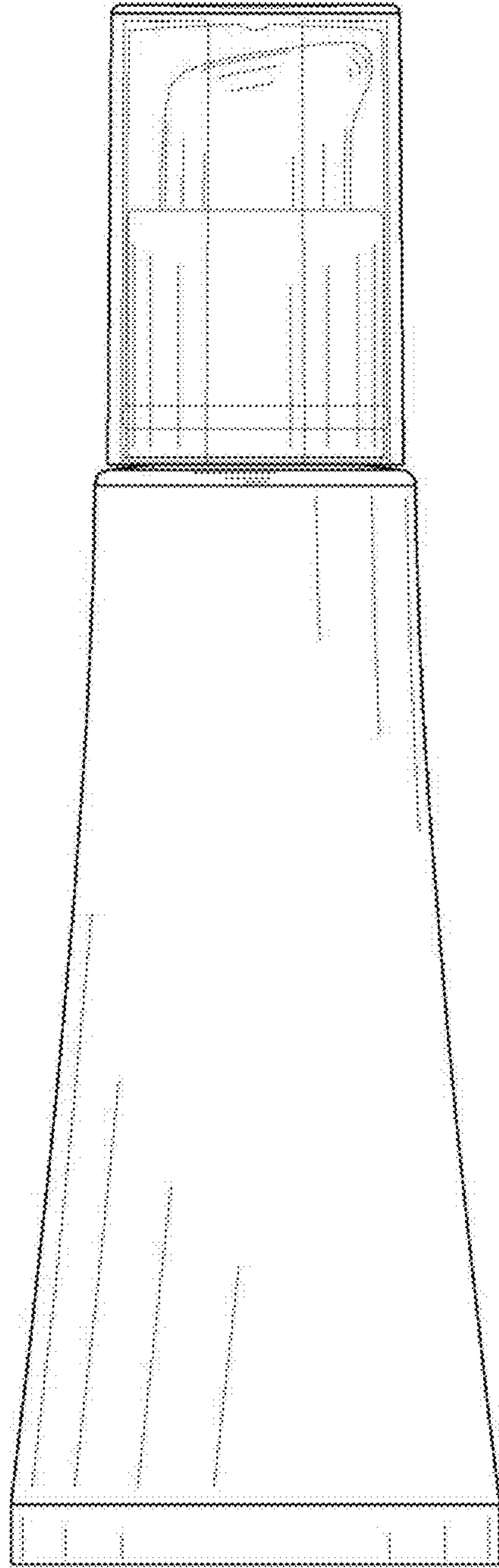


FIG. 4

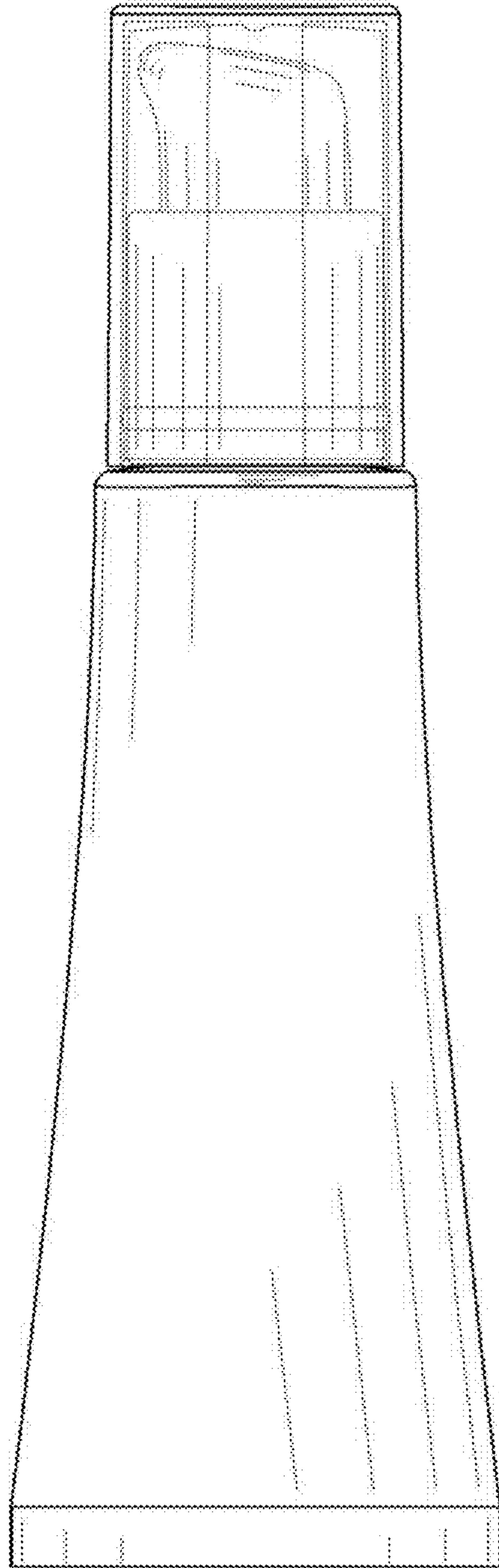


FIG. 5

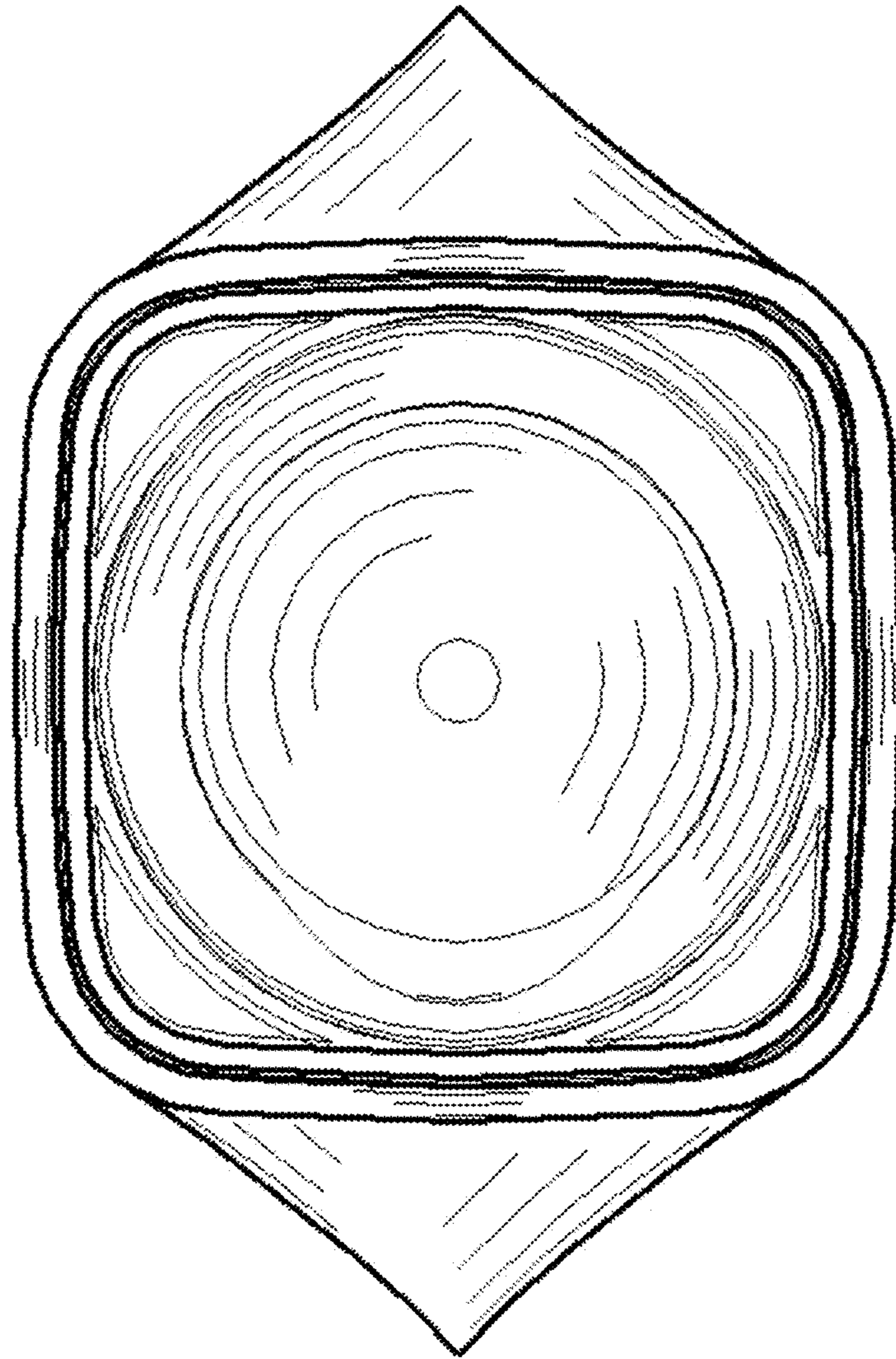


FIG. 6

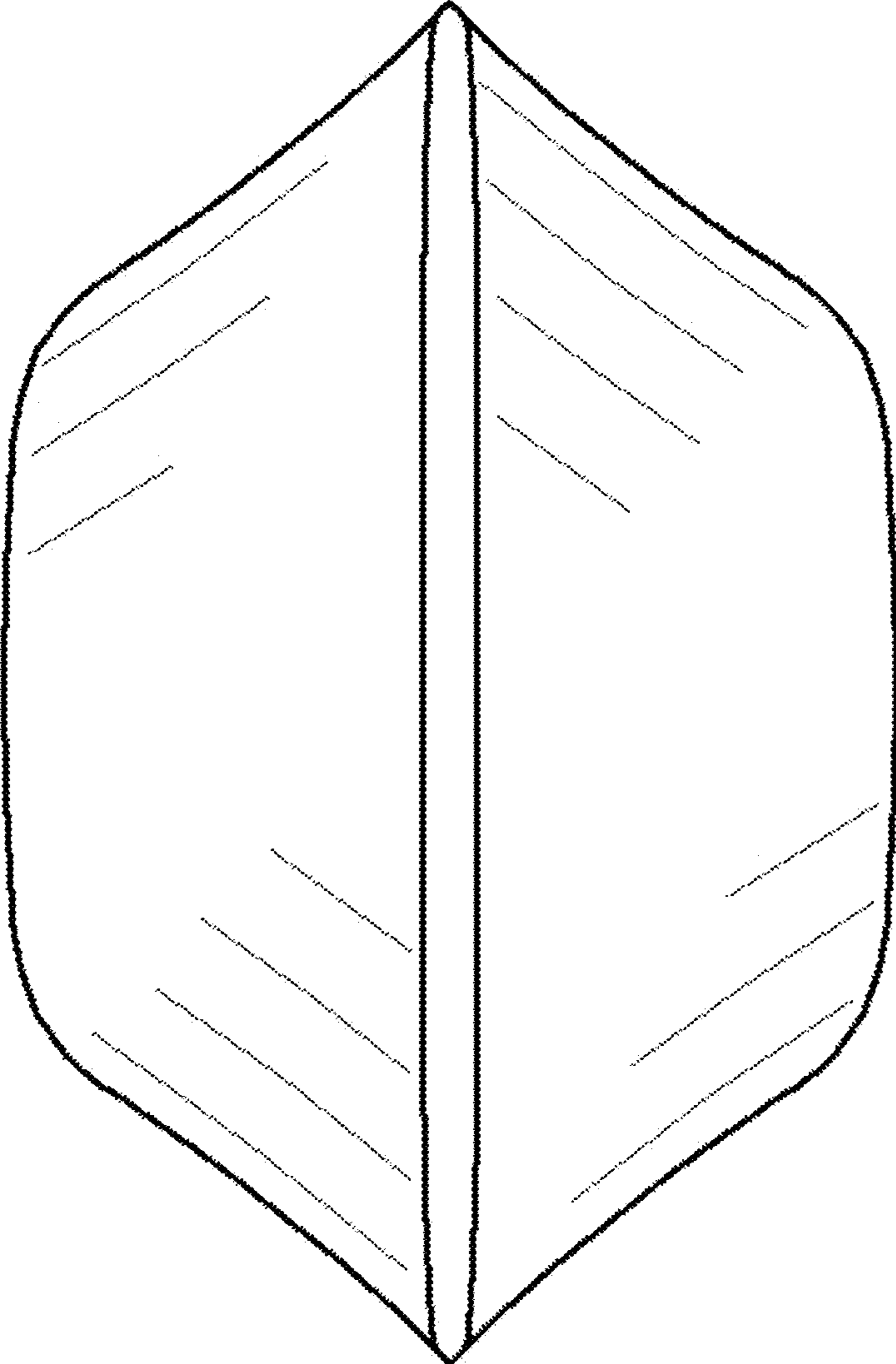


FIG. 7

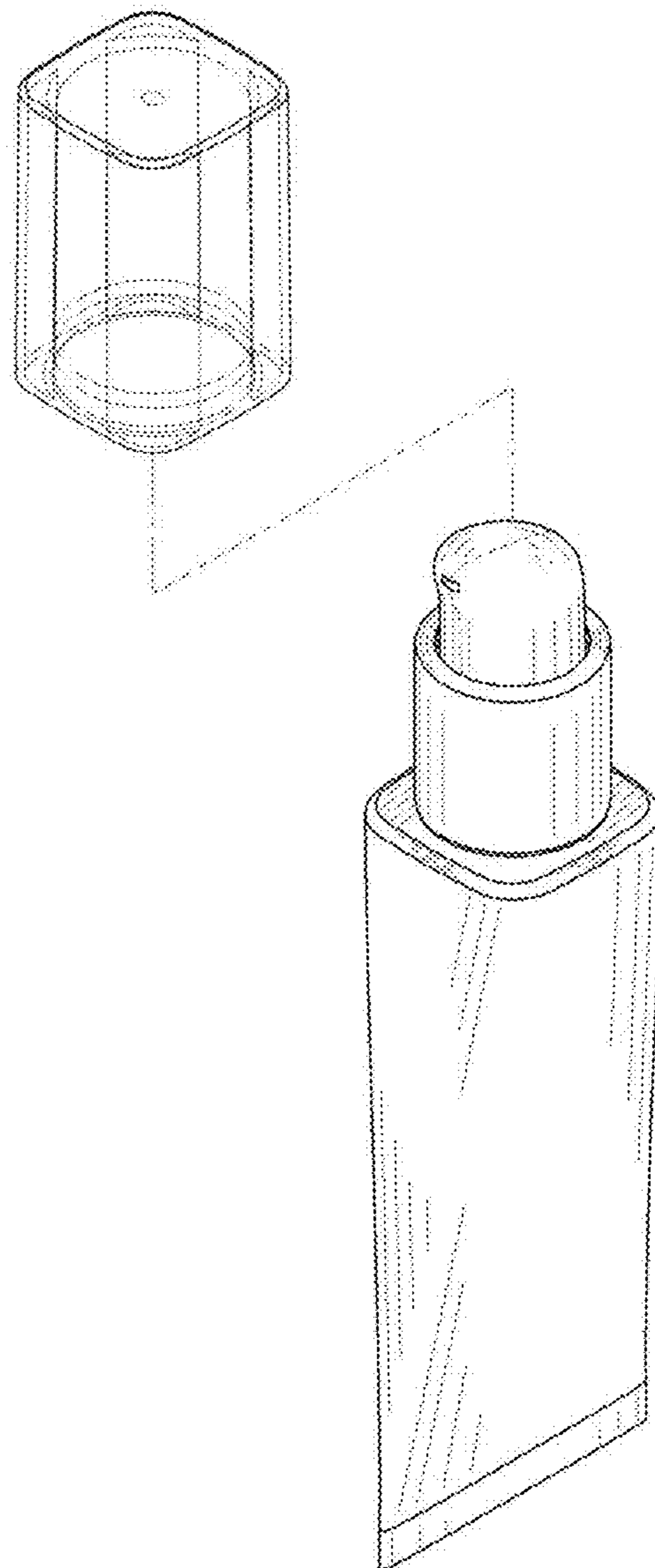


FIG. 8