



US00D807754S

(12) **United States Design Patent**  
**Fleischhacker**

(10) **Patent No.:** **US D807,754 S**  
(45) **Date of Patent:** **\*\* Jan. 16, 2018**

- (54) **PLASTIC CONTAINER**
- (71) Applicant: **Plastipak Packaging, Inc.**, Plymouth, MI (US)
- (72) Inventor: **Kyle Fleischhacker**, Detroit, MI (US)
- (73) Assignee: **Plastipak Packaging, Inc.**, Plymouth, MI (US)
- (\*\*) Term: **15 Years**
- (21) Appl. No.: **29/528,788**
- (22) Filed: **Jun. 1, 2015**

D380,671 S	7/1997	Young	
D383,677 S *	9/1997	Darr	..... D9/520
5,732,838 A	3/1998	Young	
D394,011 S	5/1998	Finch	
D409,919 S	5/1999	Young	
D415,030 S	10/1999	Searle	
D462,620 S	9/2002	Ashby	
D548,083 S *	8/2007	Bourne	..... B65D 23/102 D9/502

(Continued)

**FOREIGN PATENT DOCUMENTS**

EM	001689282-0001	3/2010
FR	024078-0001	7/2002

(Continued)

**Related U.S. Application Data**

- (62) Division of application No. 29/489,219, filed on Apr. 28, 2014, now Pat. No. Des. 736,628.
- (51) **LOC (11) Cl.** ..... **09-01**
- (52) **U.S. Cl.**  
USPC ..... **D9/540; D9/500; D9/520; D9/537; D9/550**
- (58) **Field of Classification Search**  
USPC ..... D9/500, 502-505, 516, 520, 530, D9/537-545, 548-550, 558, 715, 719; 215/370, 371, 375, 379, 381-384; 220/660, 669, 675  
CPC ..... B65D 1/00; B65D 1/02; B65D 1/0223; B65D 1/0284; B65D 23/00; B65D 23/001; B65D 83/00; B65D 91/00; B65D 91/02; B65D 2501/00; B65D 2501/0009; B65D 2501/0081  
See application file for complete search history.

(56) **References Cited**

**U.S. PATENT DOCUMENTS**

3,331,521 A *	7/1967	Paige	..... B65D 85/307 206/433
D213,290 S *	2/1969	Fuerst	..... D9/500

**OTHER PUBLICATIONS**

“Tailgater”, Commercial Designs: Gallery; ALuminex. CCL Container, Bottlecan.com, 1 page, retrieved Oct. 2, 2014, <[http://www.bottlecan.com/image\\_gallery-aluminex.html](http://www.bottlecan.com/image_gallery-aluminex.html)>.

*Primary Examiner* — Dana L Meyrow  
(74) *Attorney, Agent, or Firm* — Fishman Stewart PLLC

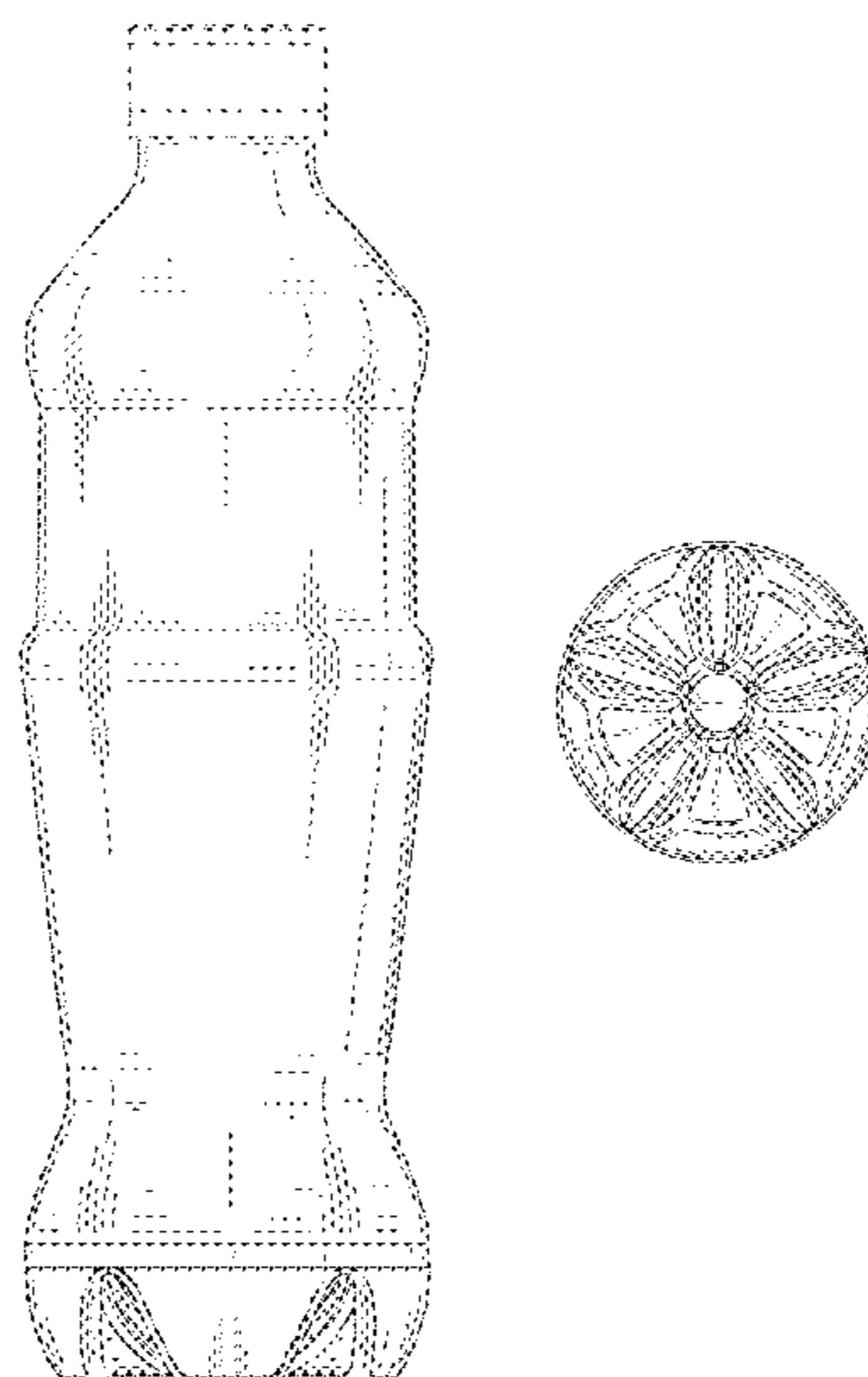
(57) **CLAIM**

The ornamental design for a plastic container, as shown and described.

**DESCRIPTION**

FIG. 1 is a top, front, left side perspective view of a plastic container showing my new design;  
FIG. 2 is a front elevational view of FIG. 1;  
FIG. 3 is a rear elevational view of FIG. 1;  
FIG. 4 is a left side elevational view of FIG. 1;  
FIG. 5 is a right side elevational view of FIG. 1;  
FIG. 6 is a top plan view of FIG. 1; and,  
FIG. 7 is a bottom plan view of FIG. 1.  
The broken lines shown in the drawings illustrate portions of the plastic container that form no part of the claimed design.

**1 Claim, 4 Drawing Sheets**



(56)

References Cited

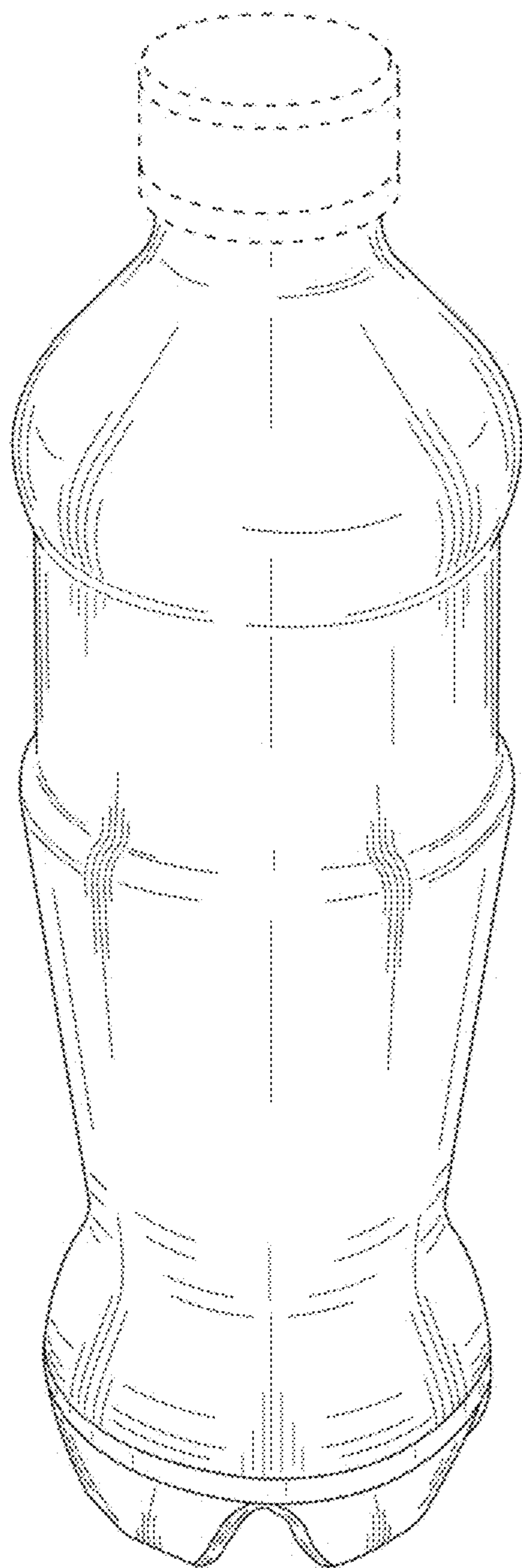
U.S. PATENT DOCUMENTS

D550,082 S \* 9/2007 Ng ..... D9/500  
D556,044 S \* 11/2007 Hirata ..... D9/520  
D561,595 S 2/2008 Le Bras-Brown et al.  
D574,252 S 8/2008 Ryan et al.  
D580,770 S 11/2008 Matauch  
D581,802 S \* 12/2008 Dimmel ..... D9/550  
D615,414 S \* 5/2010 Barr ..... D9/503  
D616,755 S \* 6/2010 Barr ..... D9/538  
D637,908 S 5/2011 Fleischhacker et al.  
D638,717 S 5/2011 Schulman et al.  
D643,723 S 8/2011 Snyder et al.  
D651,901 S 1/2012 Miller et al.  
D654,362 S 2/2012 Weber-Trinkfass et al.  
D658,995 S 5/2012 Potts  
D664,852 S 8/2012 Weber-Trinkfass  
D691,483 S 10/2013 Fitts et al.  
D736,627 S \* 8/2015 Fleischhacker ..... D9/500  
D736,628 S \* 8/2015 Fleischhacker ..... D9/500  
D736,629 S \* 8/2015 Fleischhacker ..... D9/500  
D792,229 S \* 7/2017 Steward ..... D9/500  
D796,332 S \* 9/2017 Guo ..... D9/538

FOREIGN PATENT DOCUMENTS

WO DM/052105 4/2000  
WO DN/058299 9/2001

\* cited by examiner



**FIG. 1**

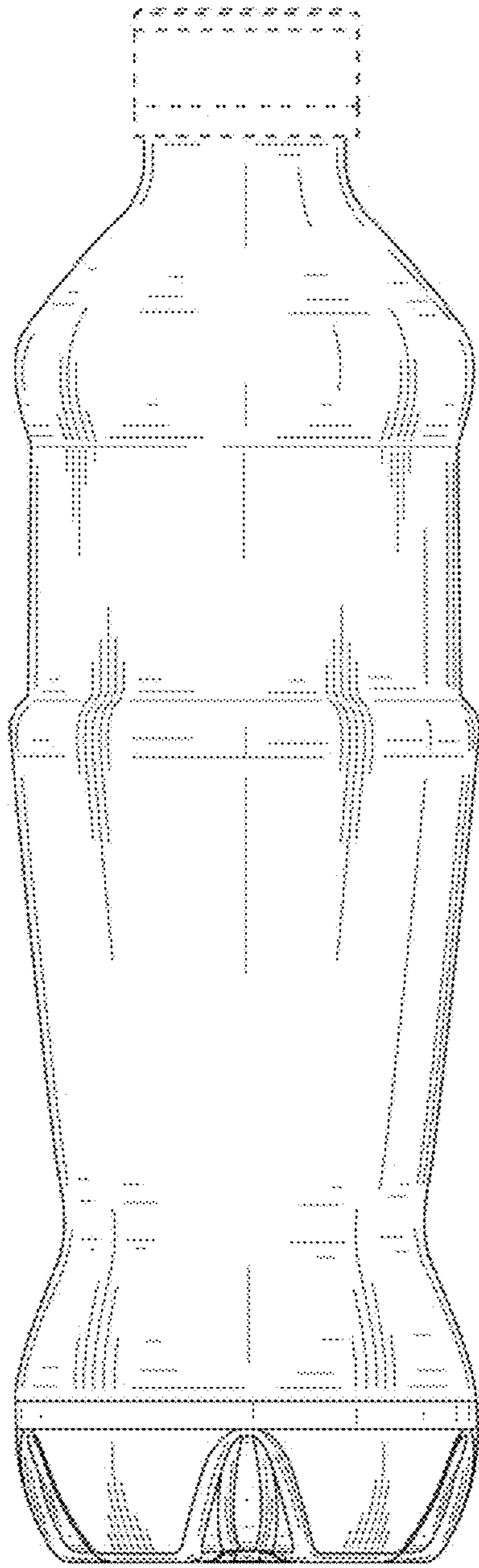


FIG. 2

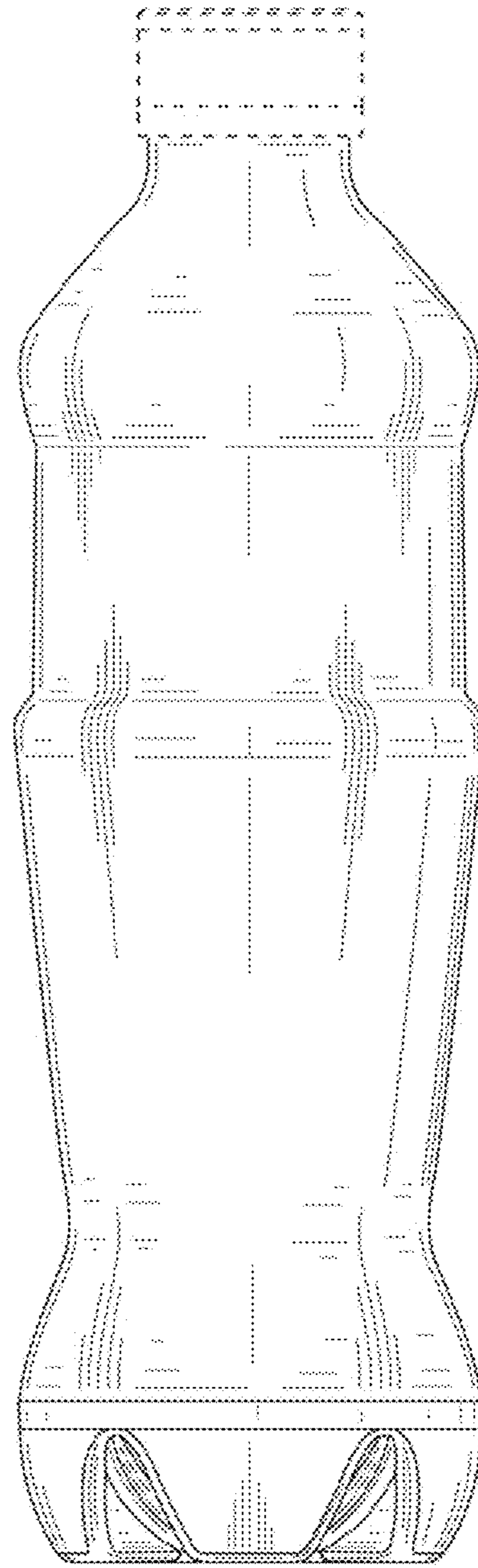
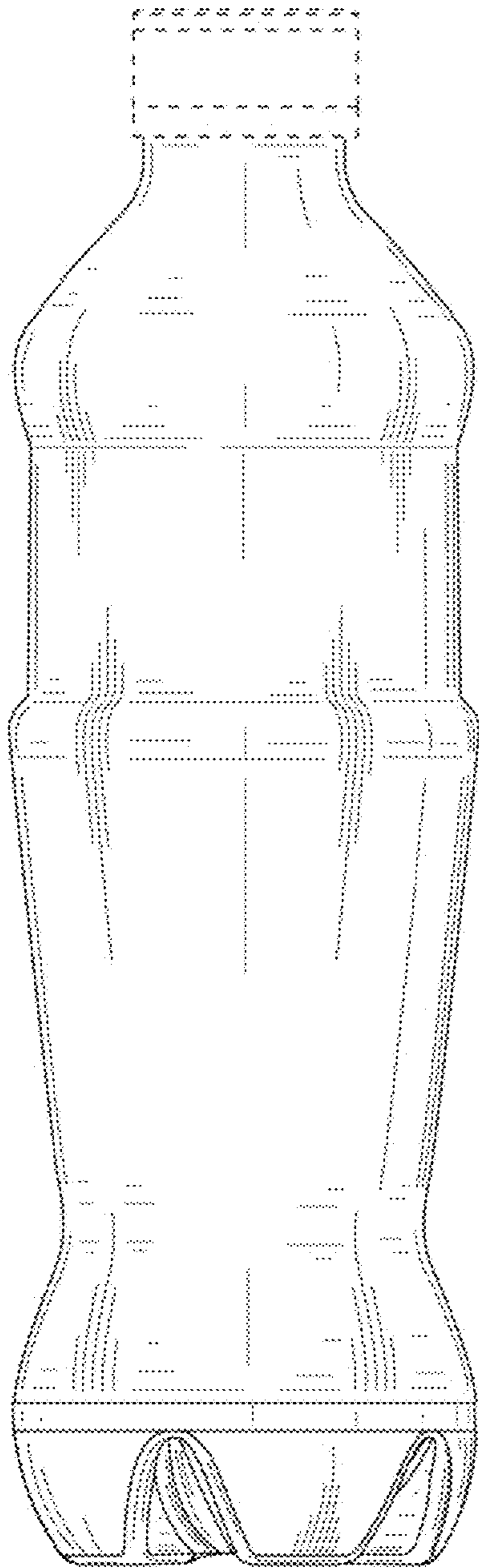
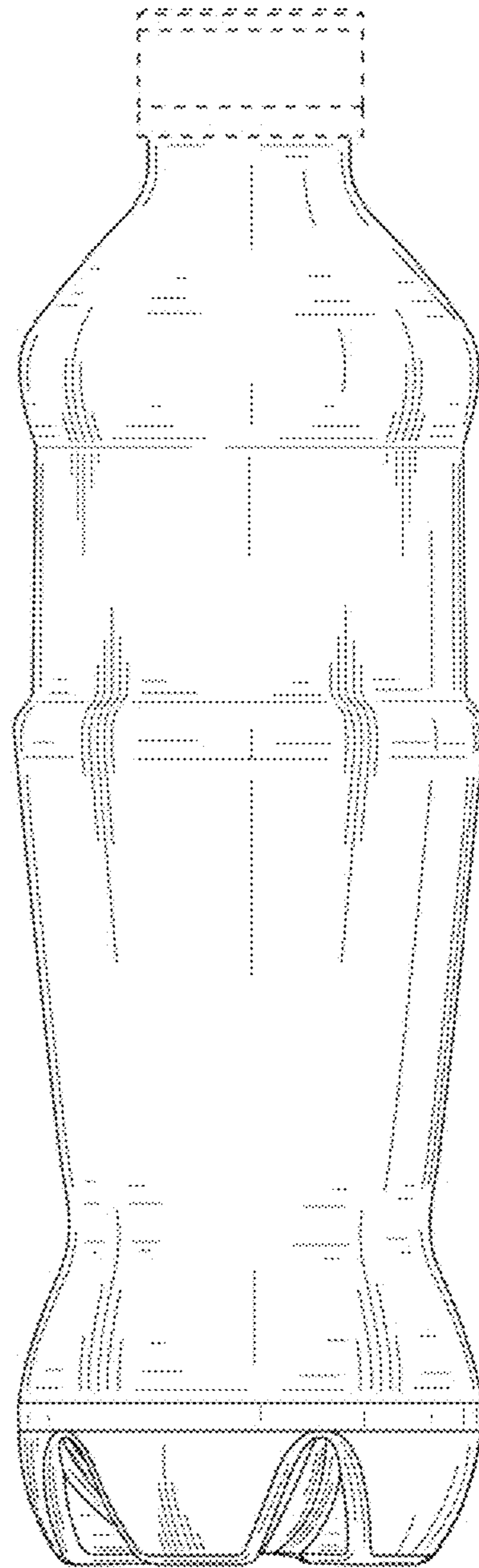


FIG. 3



**FIG. 4**



**FIG. 5**

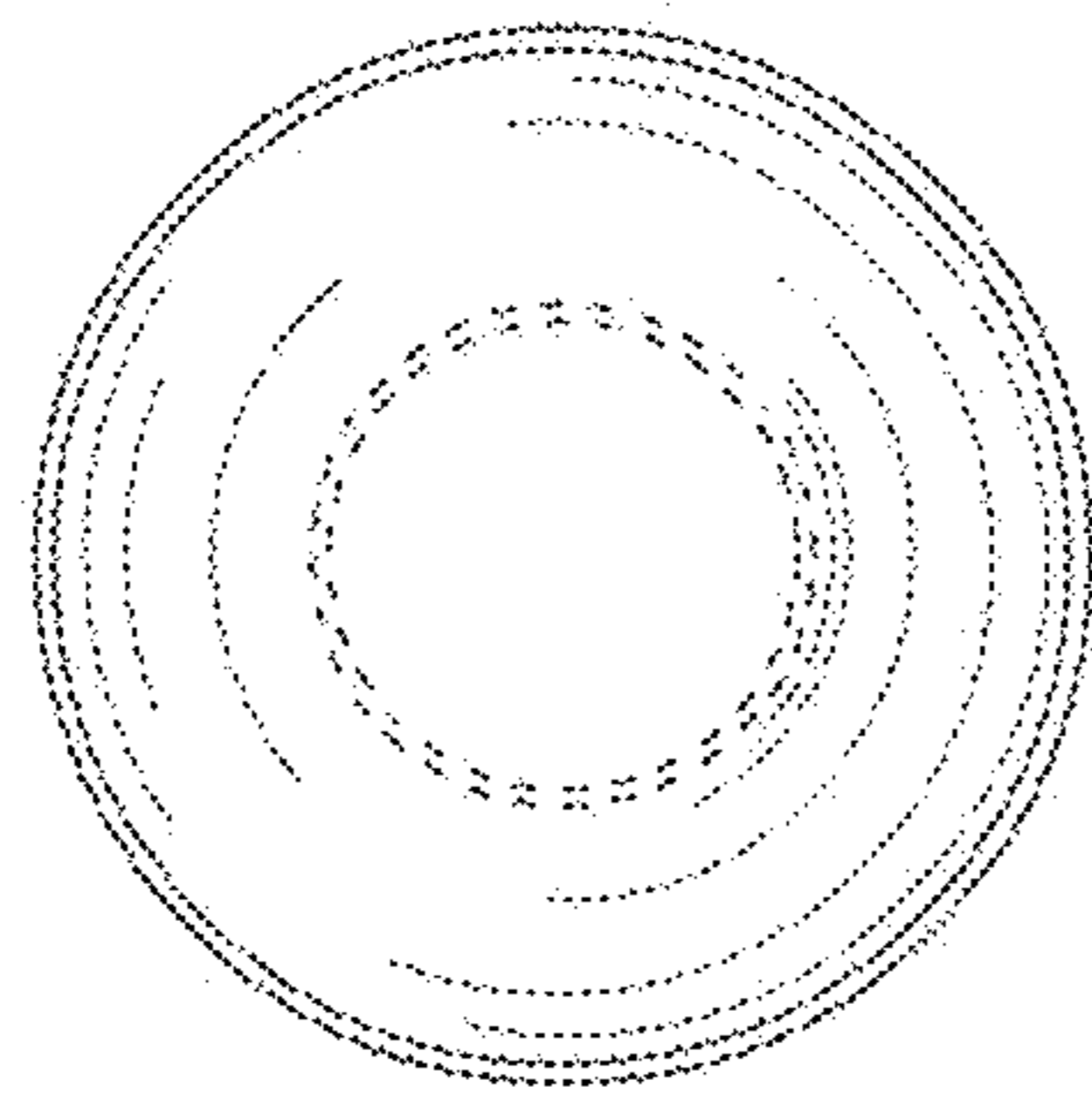


FIG. 6

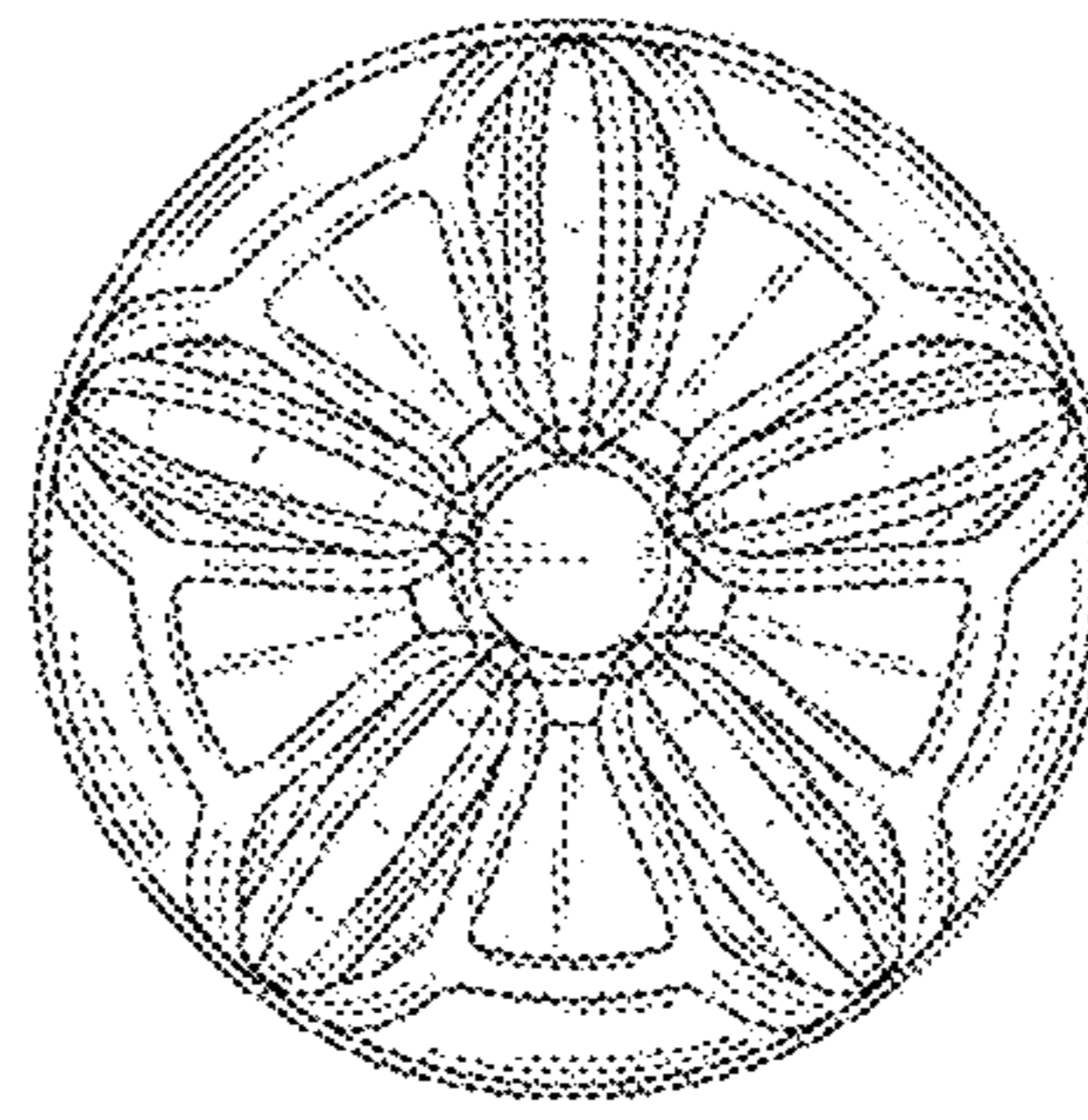


FIG. 7