



US00D807751S

(12) **United States Design Patent**
Jeong

(10) **Patent No.:** **US D807,751 S**
(45) **Date of Patent:** **** Jan. 16, 2018**

- (54) **PACKAGING CONTAINER**
- (71) Applicant: **LG HOUSEHOLD & HEALTH CARE LTD.**, Seoul (KR)
- (72) Inventor: **Song Eun Jeong**, Seoul (KR)
- (73) Assignee: **LG HOUSEHOLD & HEALTH CARE LTD.**, Seoul (KR)
- (**) Term: **15 Years**

- D451,045 S * 11/2001 Ambar D11/26
- D453,486 S * 2/2002 Zillig D11/26
- D454,982 S * 3/2002 Renfrew D28/61
- D519,780 S * 5/2006 Lai D5/7
- D520,812 S * 5/2006 Hayes D7/396.1
- D589,300 S * 3/2009 Altiner D7/392.1
- D638,737 S * 5/2011 Parvex D11/26
- D660,152 S * 5/2012 Mather D9/451
- D660,153 S * 5/2012 Mather D9/451
- D679,056 S * 3/2013 Mazza D28/73
- D710,543 S * 8/2014 Dittmer D28/73
- D733,560 S * 7/2015 Rajan D15/145
- D736,560 S * 8/2015 Dexter D7/392.1

(Continued)

- (21) Appl. No.: **29/528,799**
- (22) Filed: **Jun. 1, 2015**
- (51) **LOC (11) Cl.** **09-01**
- (52) **U.S. Cl.**
USPC **D9/516; D9/551**
- (58) **Field of Classification Search**
USPC D9/414, 428, 434, 439, 441, 451, 452,
D9/455, 456, 416, 517, 529, 549, 551,
D9/651, 700, 715, 718, 737-740, 756;
D7/396.4, 396.5, 560, 562; D28/38, 73,
D28/77, 89, 90, 67; D6/703.3, 517;
D11/3, 26, 40
CPC B65D 2543/00416; B65D 2543/00694;
B65D 2543/00805; B65D 2543/00972;
B65D 5/5028; A45D 33/00; A45D
33/006; A47F 7/0028
See application file for complete search history.

FOREIGN PATENT DOCUMENTS

KR 300825026.0000 * 5/2015

Primary Examiner — Ian Simmons

Assistant Examiner — Keith Frank

(74) *Attorney, Agent, or Firm* — Mintz Levin Cohn Ferris
Glovsky and Popeo, P.C.; Kongsik Kim; Colleen H.
Witherell

(57) **CLAIM**

The ornamental design for a packaging container, as shown and described.

DESCRIPTION

FIG. 1 is a perspective view of a packaging container.
FIG. 2 is a front view of the packaging container of FIG. 1.
FIG. 3 is a top view of the packaging container of FIG. 1;
and,
FIG. 4 is a bottom view of the packaging container of FIG. 1.

Rear, left side, and right side views are omitted as they each are same as the front view.

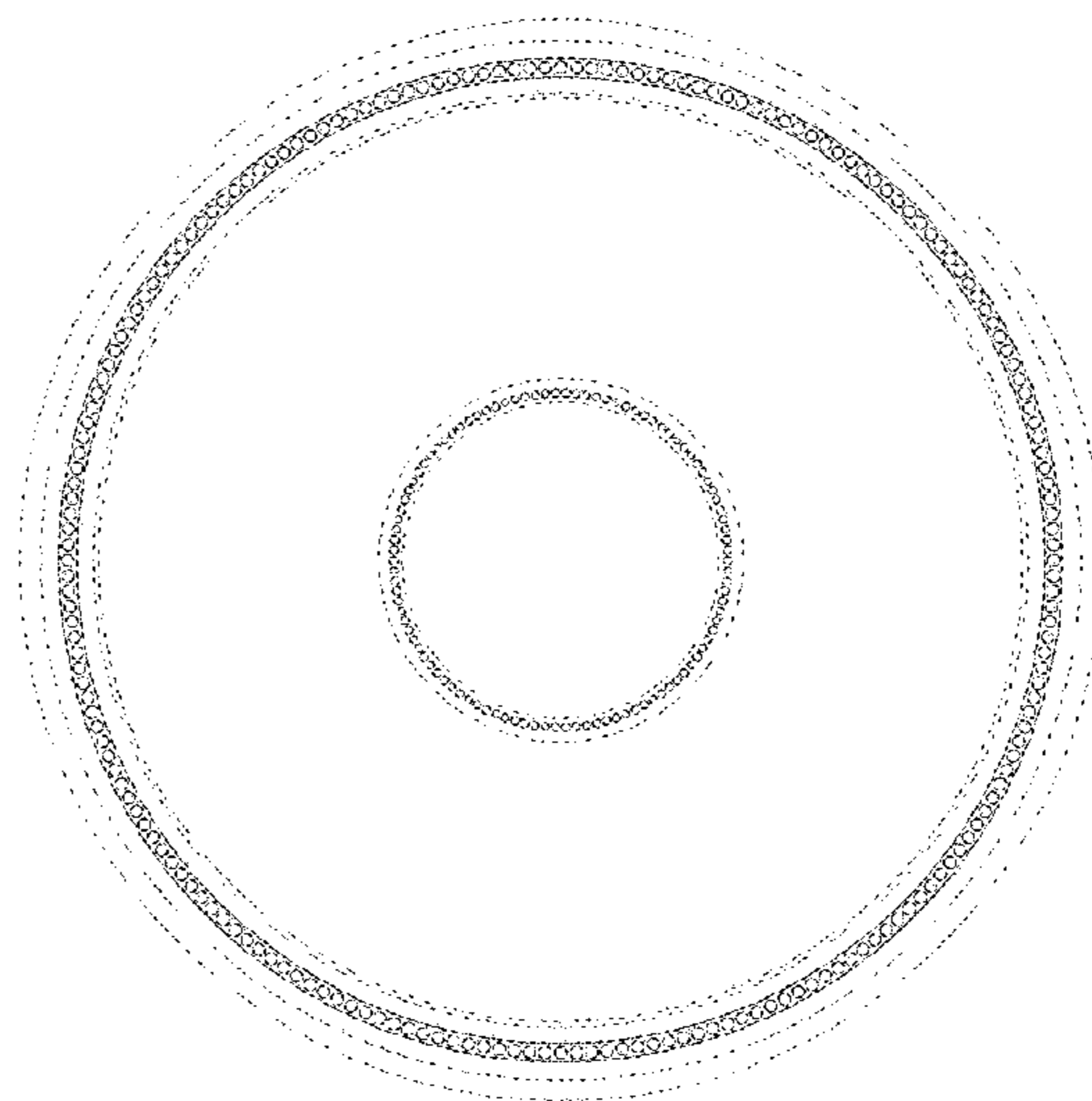
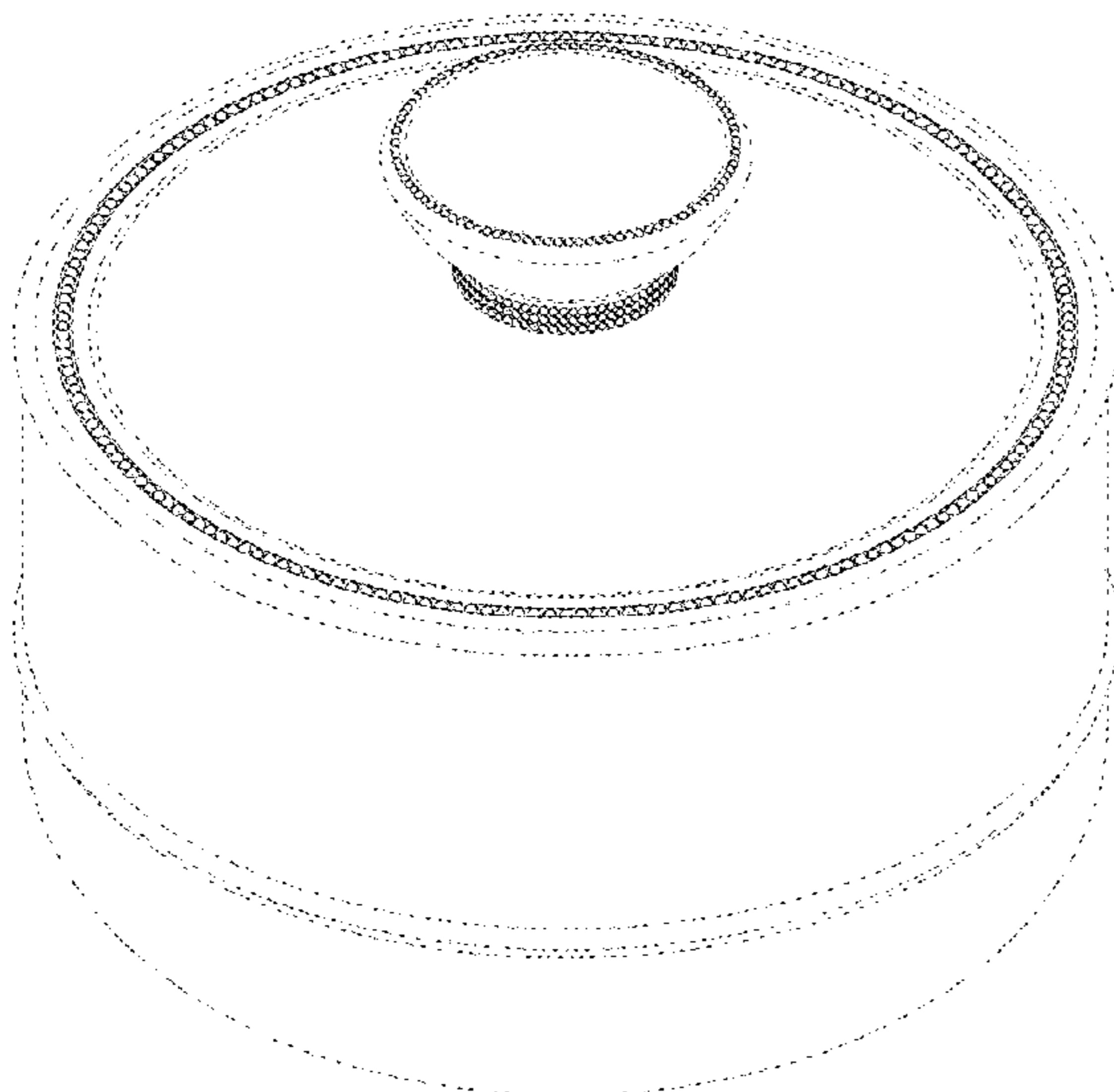
The broken lines in the drawings showing the packaging container illustrate the portions of the packaging container that form no part of the claimed design.

1 Claim, 4 Drawing Sheets

(56) **References Cited**

U.S. PATENT DOCUMENTS

- D68,823 S * 11/1925 Negbaur D25/136
- D156,951 S * 1/1950 Ganser D7/557
- 3,658,071 A * 4/1972 Wise A45D 4/16
132/233
- D274,852 S * 7/1984 Withers, Sr. D32/25
- D371,936 S * 7/1996 Goto D7/509
- D397,828 S * 9/1998 Kip D28/38
- D421,873 S * 3/2000 Sundberg D7/396.1



(56)

References Cited

U.S. PATENT DOCUMENTS

2009/0057249 A1* 3/2009 Donnellan A47B 49/00
211/77
2011/0174680 A1* 7/2011 Arvin A45D 33/00
206/581

* cited by examiner

FIG. 1

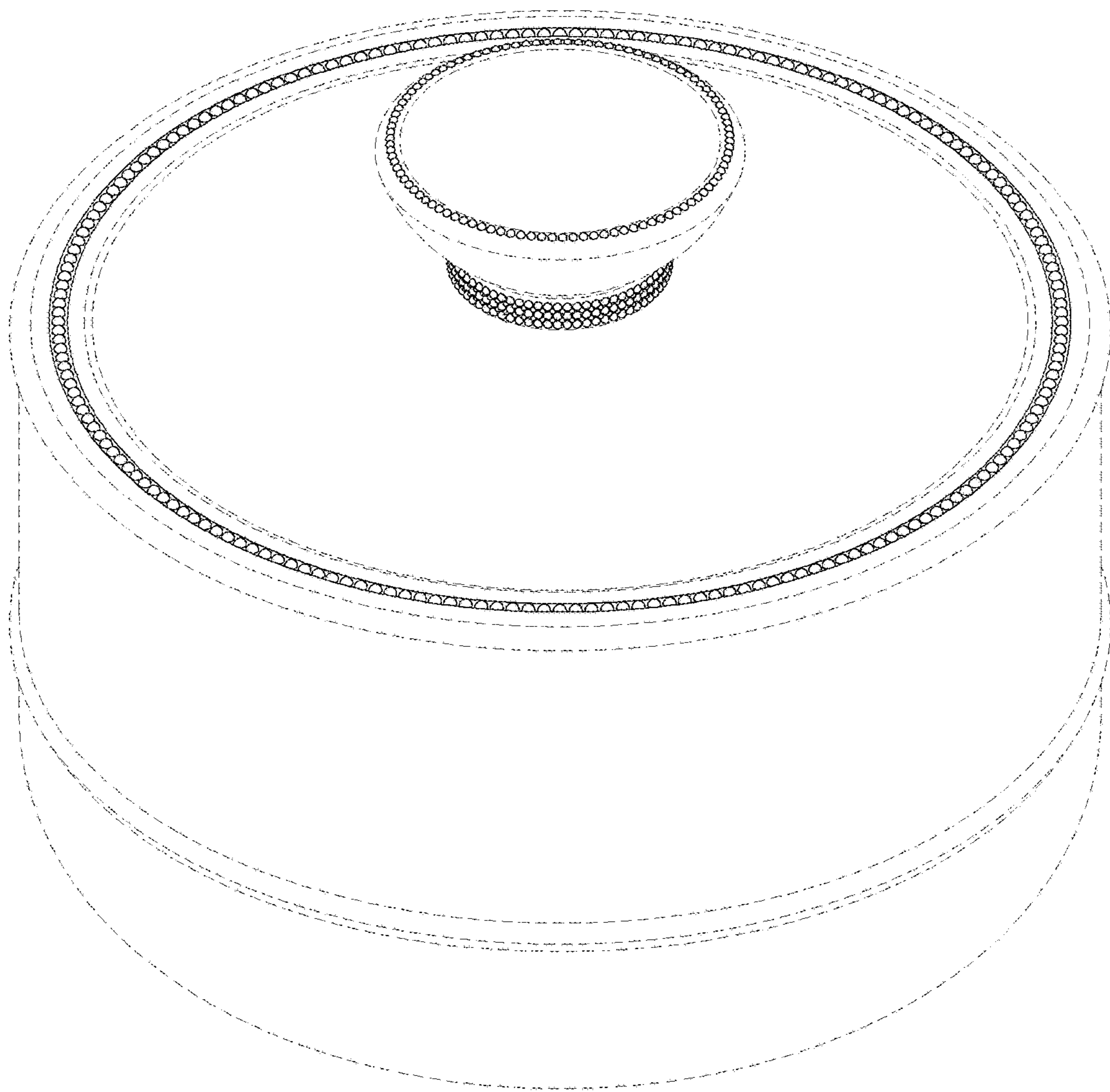


FIG. 2

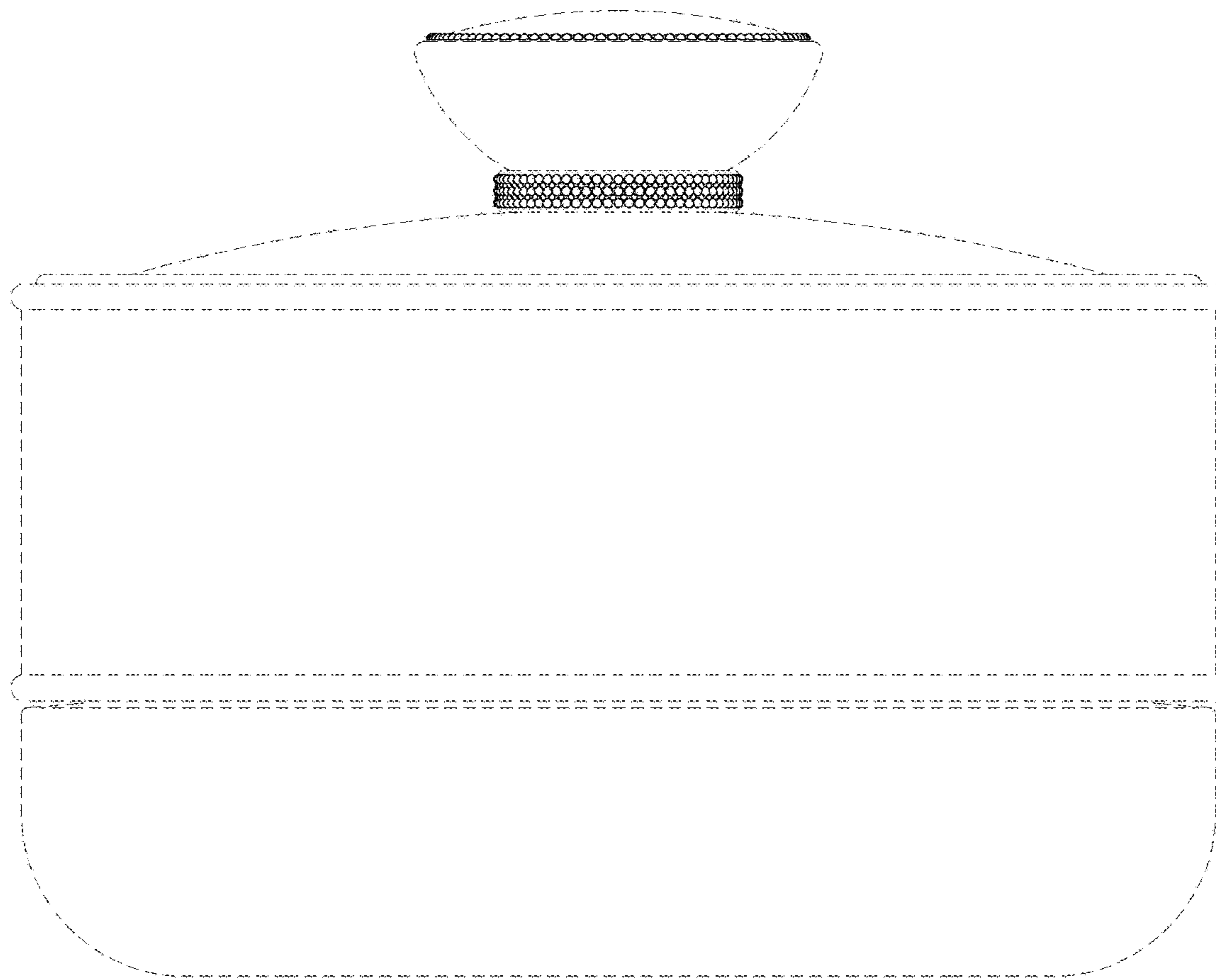


FIG. 3

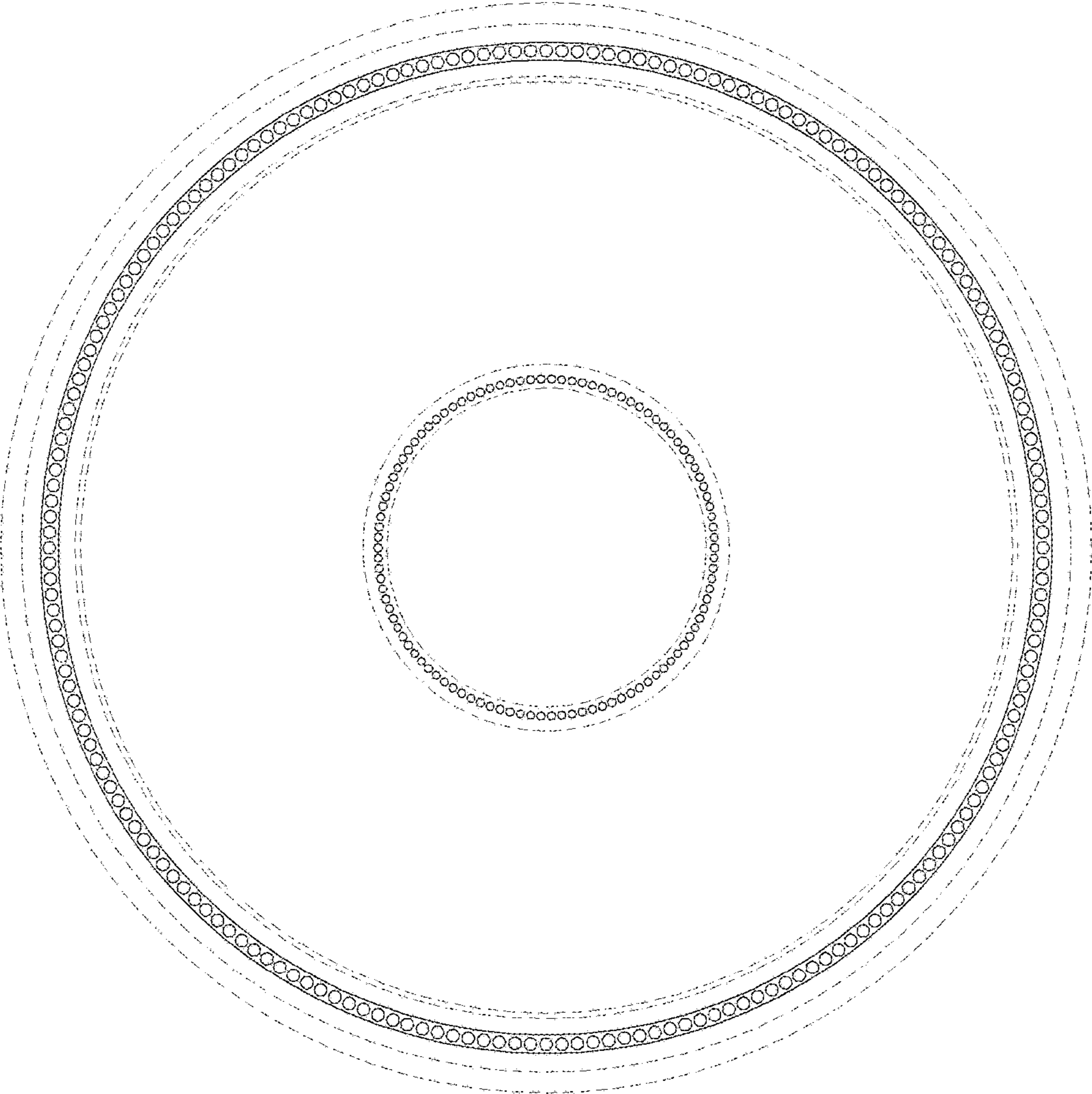


FIG. 4

