



US00D807748S

(12) **United States Design Patent**  
**Bauchwitz**

(10) **Patent No.:** **US D807,748 S**  
(45) **Date of Patent:** **\*\* Jan. 16, 2018**

(54) **CONTAINER FOR COSMETIC PRODUCTS**

(71) Applicant: **HENKEL AG & CO. KGAA,**  
Düsseldorf (DE)

(72) Inventor: **Joana-Maria Bauchwitz,** Düsseldorf  
(DE)

(73) Assignee: **Henkel AG & Co. KGaA** (DE)

(\*\*) Term: **15 Years**

(21) Appl. No.: **35/501,012**

(22) Filed: **Mar. 22, 2016**

(80) **Hague Agreement Data**

Int. Filing Date: **Mar. 22, 2016**

Int. Reg. No.: **DM/090619**

Int. Reg. Date: **Mar. 22, 2016**

Int. Reg. Pub. Date: **May 27, 2016**

(51) **LOC (11) Cl.** ..... **09-01**

(52) **U.S. Cl.**

USPC ..... **D9/503**

CPC ..... **A45D 33/00** (2013.01)

(58) **Field of Classification Search**

USPC ..... D9/500–505, 516, 529, 530, 537–541,  
D9/569, 570, 692, 694, 723, 728, 245,  
D9/774, 776

CPC .... A45D 33/00; A45D 33/003; A45D 33/006;  
A45D 33/02; A45D 33/025; A45D 33/18;  
A45D 33/22; A45D 34/00; A45D  
2034/007; A45D 34/02; A45D 40/40;  
A45D 40/0068; A45D 40/0075; A45D  
2040/12

See application file for complete search history.

(56) **References Cited**

**U.S. PATENT DOCUMENTS**

D309,357 S \* 7/1990 Rosen ..... D28/77  
D312,775 S \* 12/1990 Tacconelli ..... D9/435

D321,643 S \* 11/1991 Katada ..... D9/435  
D368,771 S \* 4/1996 Patel ..... D23/366  
D448,299 S \* 9/2001 Negre ..... D9/502  
D475,581 S \* 6/2003 Lillelund ..... D7/629  
D554,525 S \* 11/2007 Py ..... D9/686  
D573,034 S \* 7/2008 Py ..... D9/686  
D645,747 S \* 9/2011 Yu ..... D9/445  
D661,988 S \* 6/2012 Praster ..... D9/444  
D661,989 S \* 6/2012 Praster ..... D9/444  
D696,120 S \* 12/2013 You ..... D9/454  
D721,284 S \* 1/2015 Yeo ..... D9/684  
D744,293 S \* 12/2015 Linder ..... D7/629  
D784,138 S \* 4/2017 Kim ..... D9/454  
D789,794 S \* 6/2017 Kim ..... D9/529  
D792,223 S \* 7/2017 Kim ..... D9/454

\* cited by examiner

*Primary Examiner* — Richard E Chilcot

(74) *Attorney, Agent, or Firm* — David K. Benson

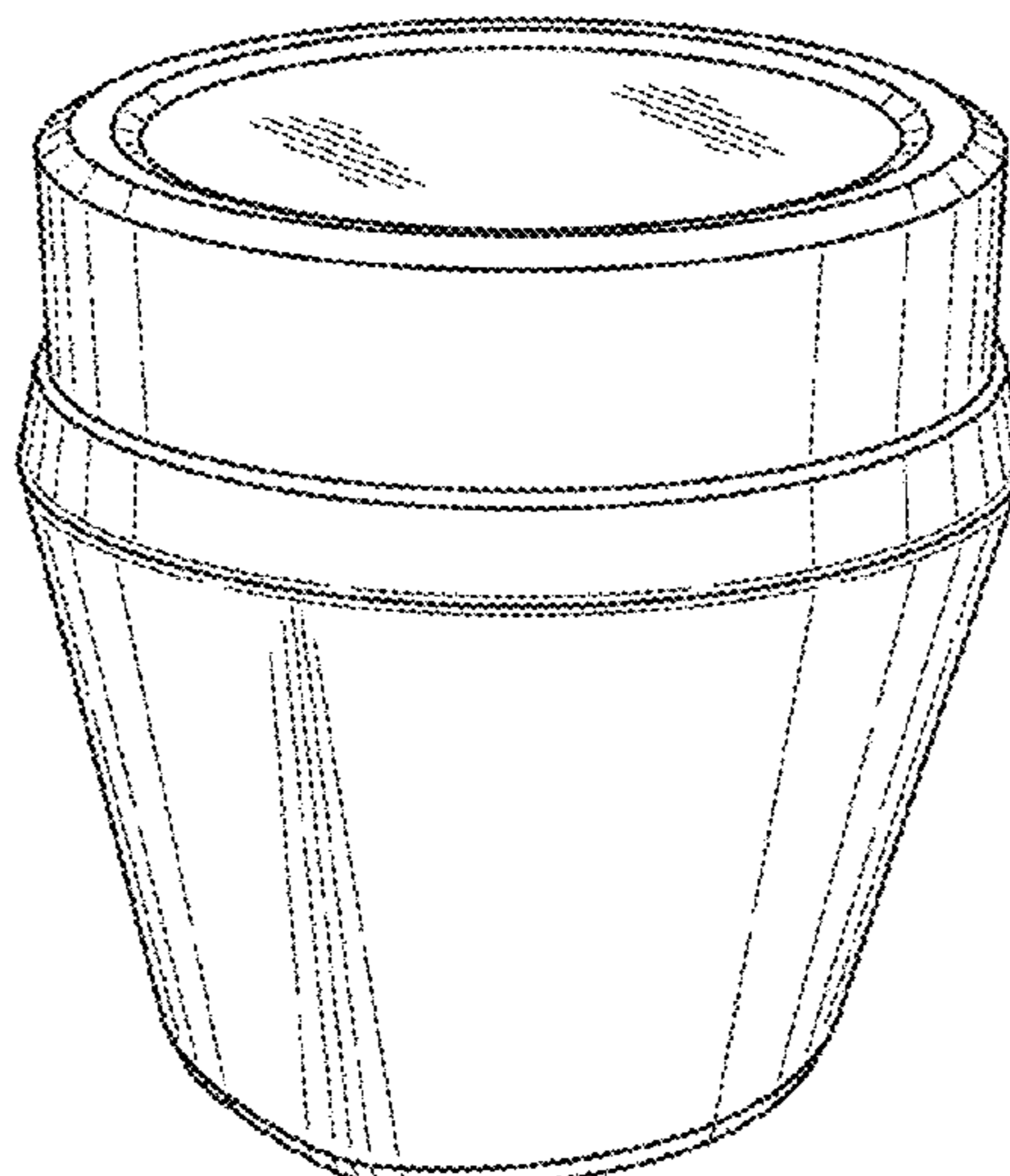
(57) **CLAIM**

The ornamental design for a container for cosmetic products,  
as shown and described.

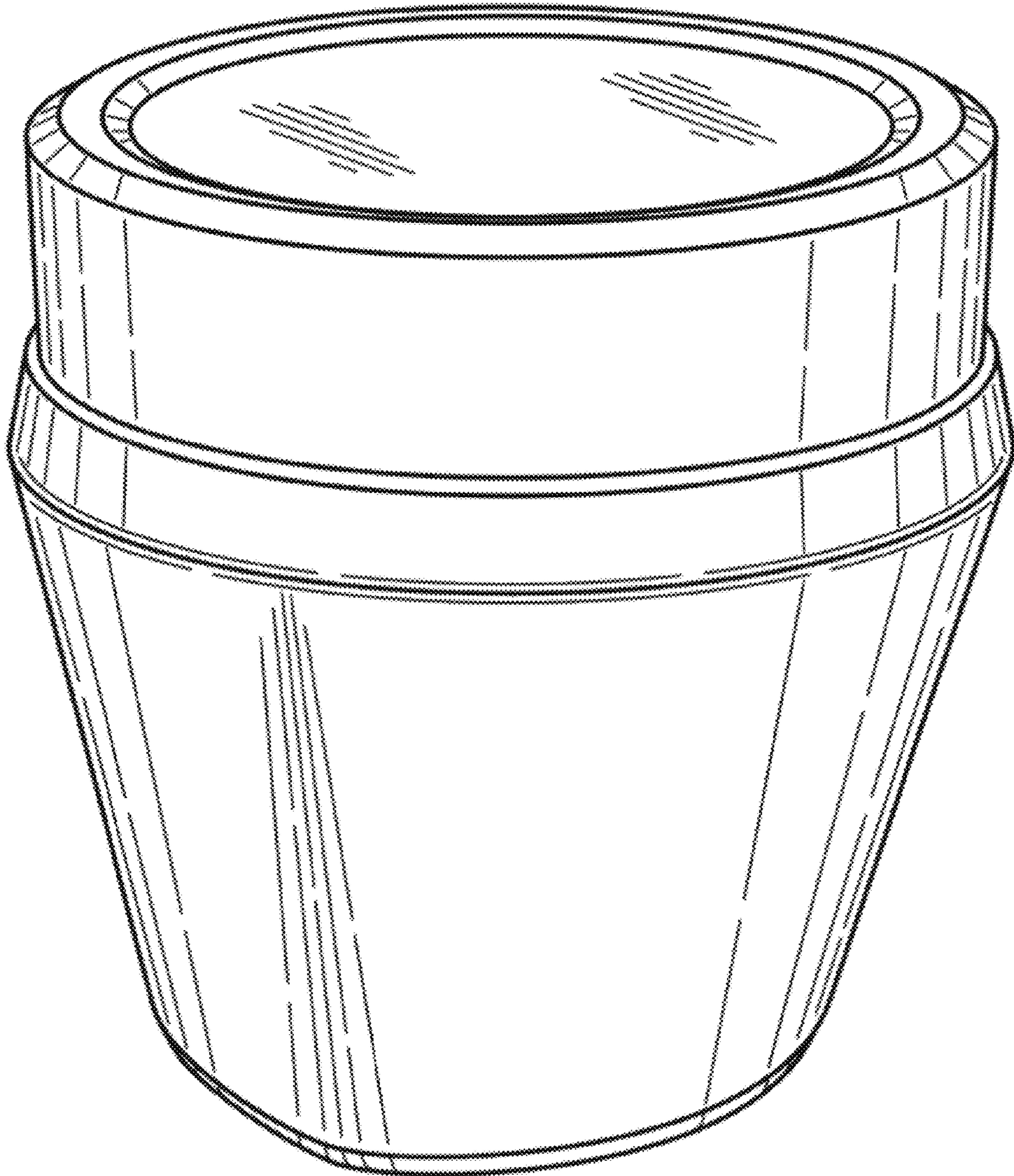
**DESCRIPTION**

1. Containers for cosmetic products  
FIG. 1.1 is a perspective view of a container for cosmetic  
products;  
FIG. 1.2 is a front view of the container for cosmetic  
products of FIG. 1.1;  
FIG. 1.3 is a rear view of the container for cosmetic products  
of FIG. 1.1;  
FIG. 1.4 is a top plan view of the container for cosmetic  
products of FIG. 1.1; and  
FIG. 1.5 is a bottom plan view of the container for cosmetic  
products of FIG. 1.1.

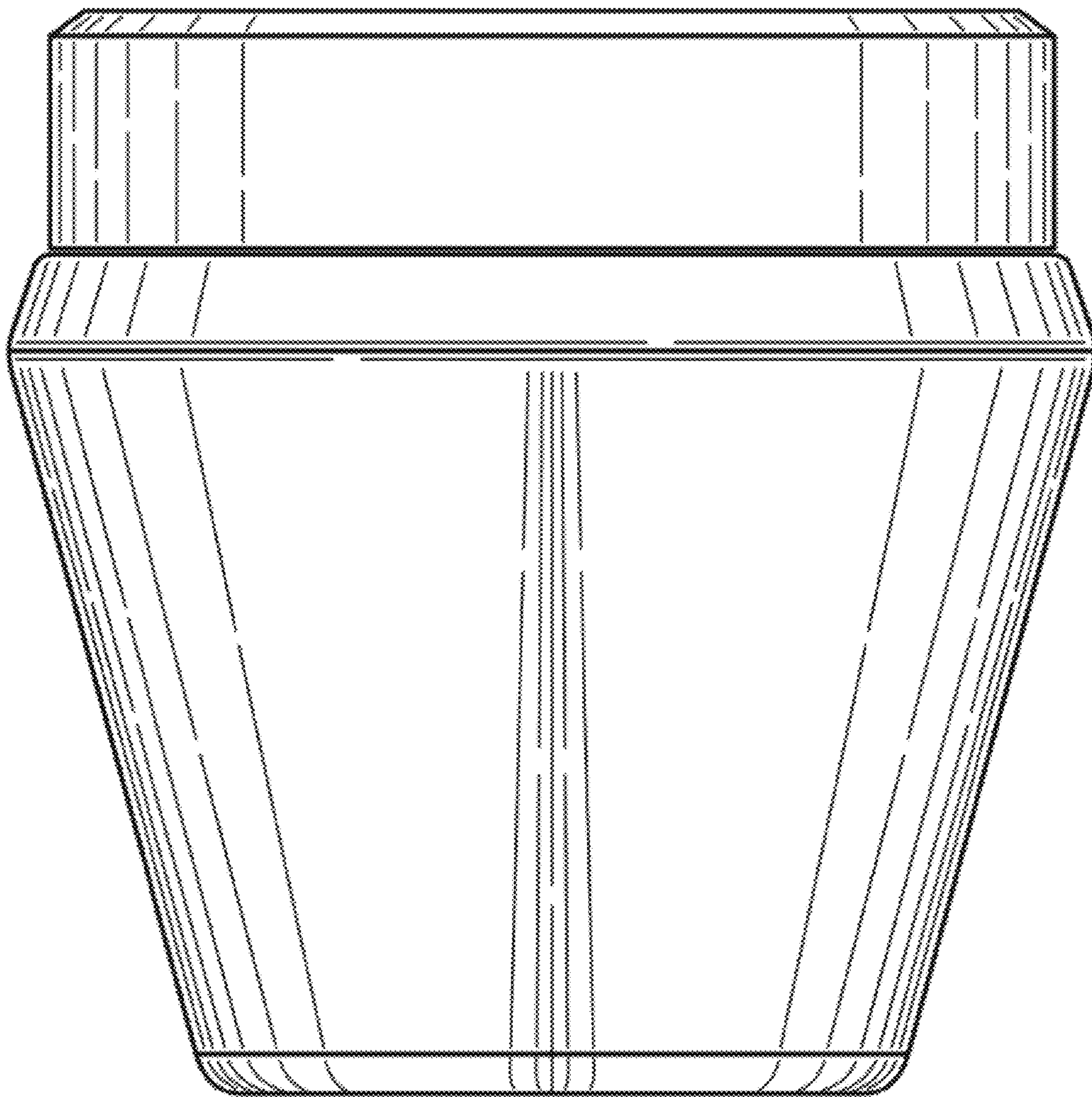
**1 Claim, 5 Drawing Sheets**



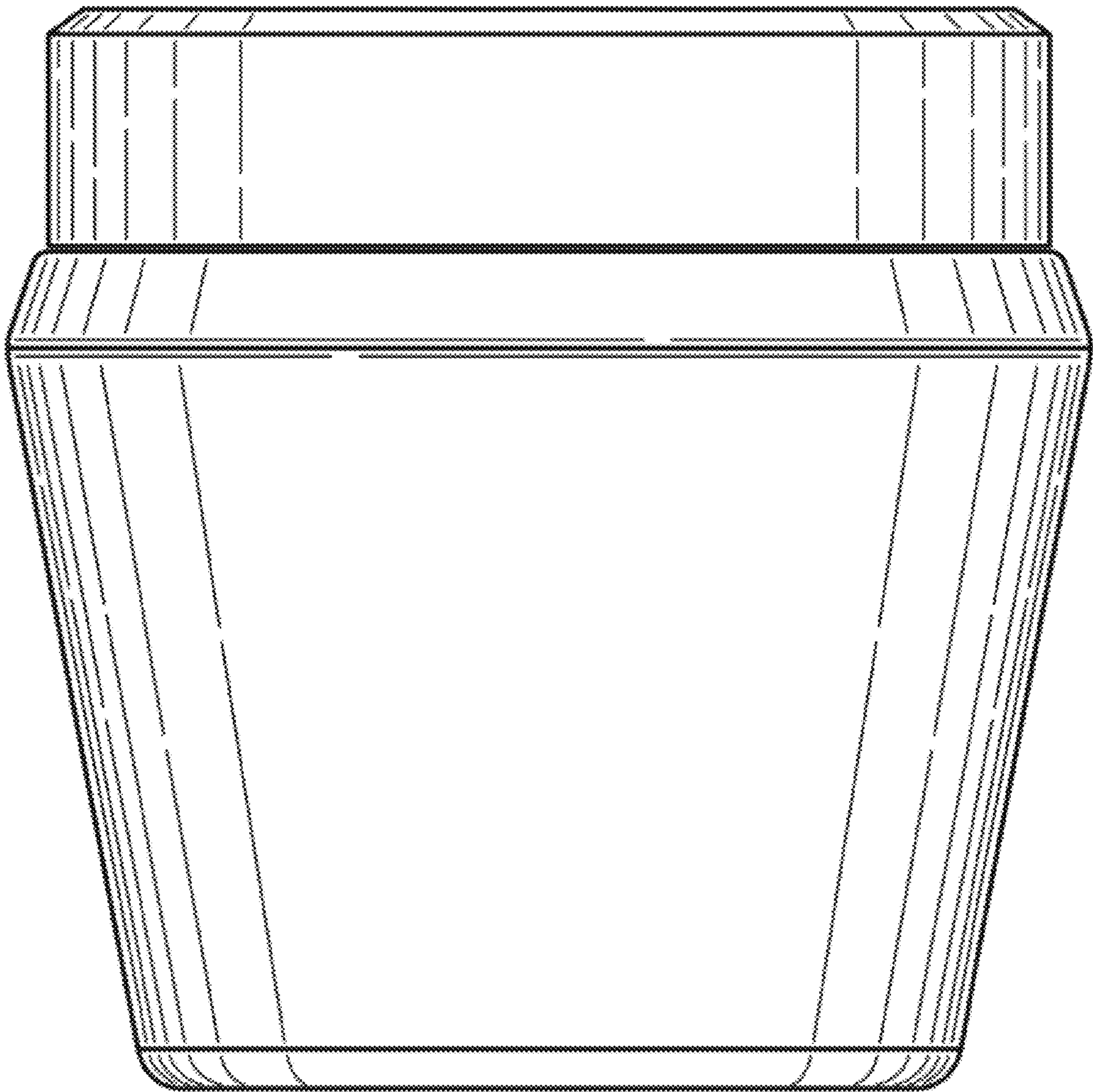
**1.1**



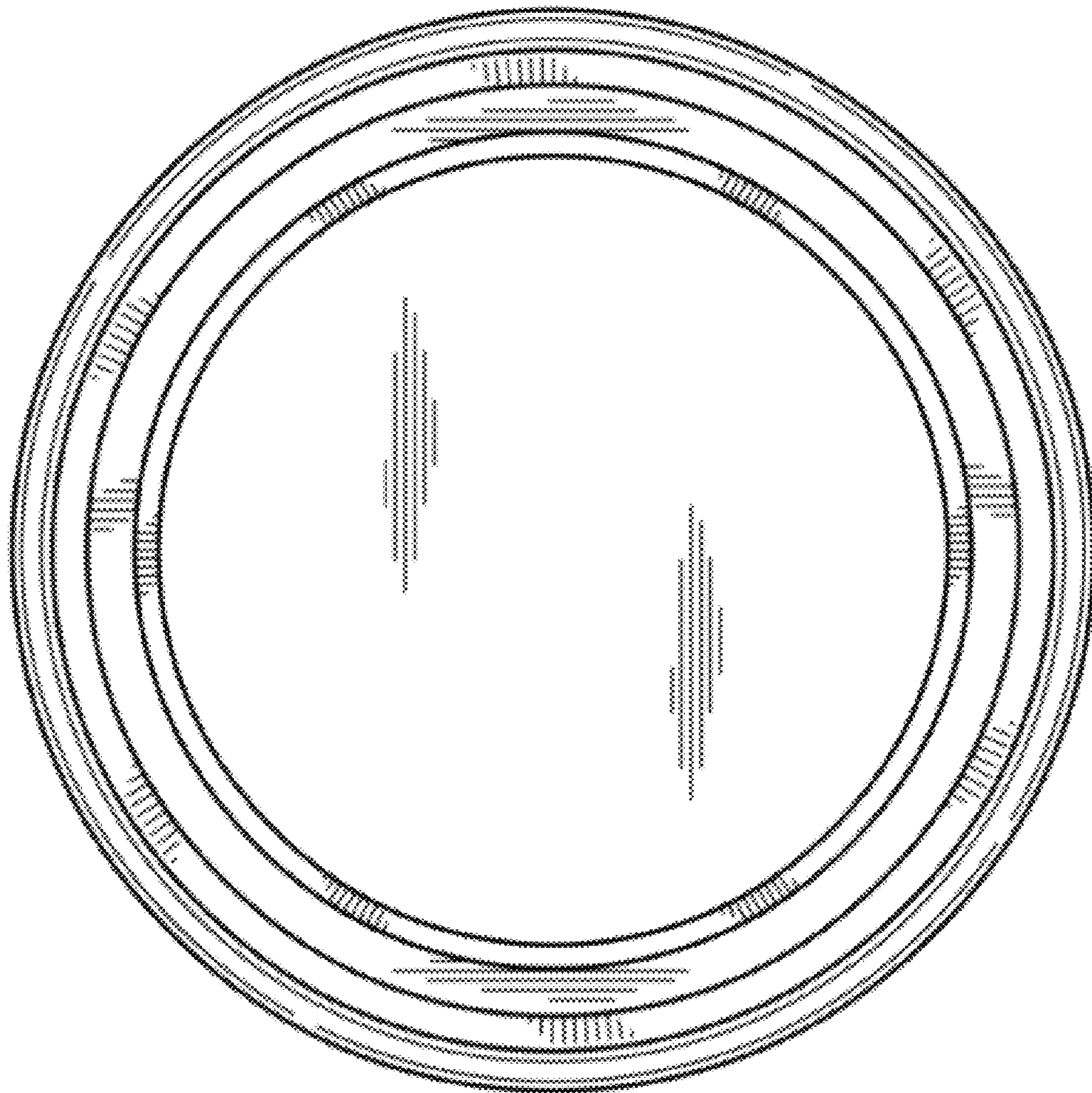
1.2



**1.3**



**1.4**



1.5

