



US00D807747S

(12) **United States Design Patent** (10) **Patent No.:** **US D807,747 S**  
**Lee** (45) **Date of Patent:** **\*\* Jan. 16, 2018**

(54) **POCKET SQUARE WITH TIE HOLDER**

(71) Applicant: **In Y. Lee**, Great Neck, NY (US)

(72) Inventor: **In Y. Lee**, Great Neck, NY (US)

(\*\*) Term: **14 Years**

(21) Appl. No.: **29/502,976**

(22) Filed: **Sep. 22, 2014**

(51) **LOC (11) Cl.** ..... **09-03**

(52) **U.S. Cl.**  
USPC ..... **D9/457**; 9/434

(58) **Field of Classification Search**  
USPC ..... D9/415, 433, 457, 702, 722; D6/315  
CPC .. B65D 85/18; B65D 85/182; B65D 73/0071;  
B65D 5/18; B65D 5/5021; B65D  
73/0064; B65D 75/14; B65D 73/0078;  
B65D 33/14; B65D 75/54; B65D 77/26;  
B65D 5/4208; B65D 75/04; B65D 75/02;  
B65D 75/38; B65D 25/22; B65D 5/5035  
See application file for complete search history.

(56) **References Cited**

**U.S. PATENT DOCUMENTS**

2,344,862	A *	3/1944	Funke	.....	B65D 75/04
					206/292
2,508,535	A *	5/1950	Peters	.....	A41B 15/02
					2/279
3,872,968	A *	3/1975	Hawkins	.....	B65D 85/04
					206/278
D350,370	S *	9/1994	Lockard	.....	D2/609
D395,005	S *	6/1998	Burton	.....	D19/3
6,050,403	A *	4/2000	Draney	.....	B65D 85/18
					206/282
6,749,060	B2 *	6/2004	Ford	.....	B65D 73/0078
					206/223

D510,813	S *	10/2005	Gilman	.....	D3/228
D688,030	S *	8/2013	Kim	.....	D2/501
D696,838	S *	1/2014	Kim	.....	D2/606
D718,628	S *	12/2014	Lee	.....	D9/434
2006/0086678	A1 *	4/2006	Mattesky	.....	B65D 67/00
					211/59.1
2010/0059396	A1 *	3/2010	Lindars	.....	B65D 73/0071
					206/299
2011/0192869	A1 *	8/2011	Kim	.....	A47F 5/0006
					223/88

\* cited by examiner

*Primary Examiner* — Lauren Calve

(74) *Attorney, Agent, or Firm* — Notaro, Michalos & Zaccaria P.C.

(57) **CLAIM**

The ornamental design for a pocket square and tie holder, as shown and described.

**DESCRIPTION**

FIG. 1 is a front, bottom, right perspective view of a pocket square with tie holder showing my new design; FIG. 2 is a back, bottom, left perspective view thereof; FIG. 3 is a front elevational view thereof; FIG. 4 is a back elevational view thereof; FIG. 5 is a left side elevational view thereof; FIG. 6 is a right side elevational view thereof; FIG. 7 is a top plan view thereof; FIG. 8 is a bottom plan view thereof; FIG. 9 is a front, bottom, right perspective view thereof shown in environmental use; and, FIG. 10 is a back, bottom, left perspective view thereof shown in environmental use. The broken lines shown represent unclaimed subject matter and forms no part of the claimed design.

**1 Claim, 8 Drawing Sheets**

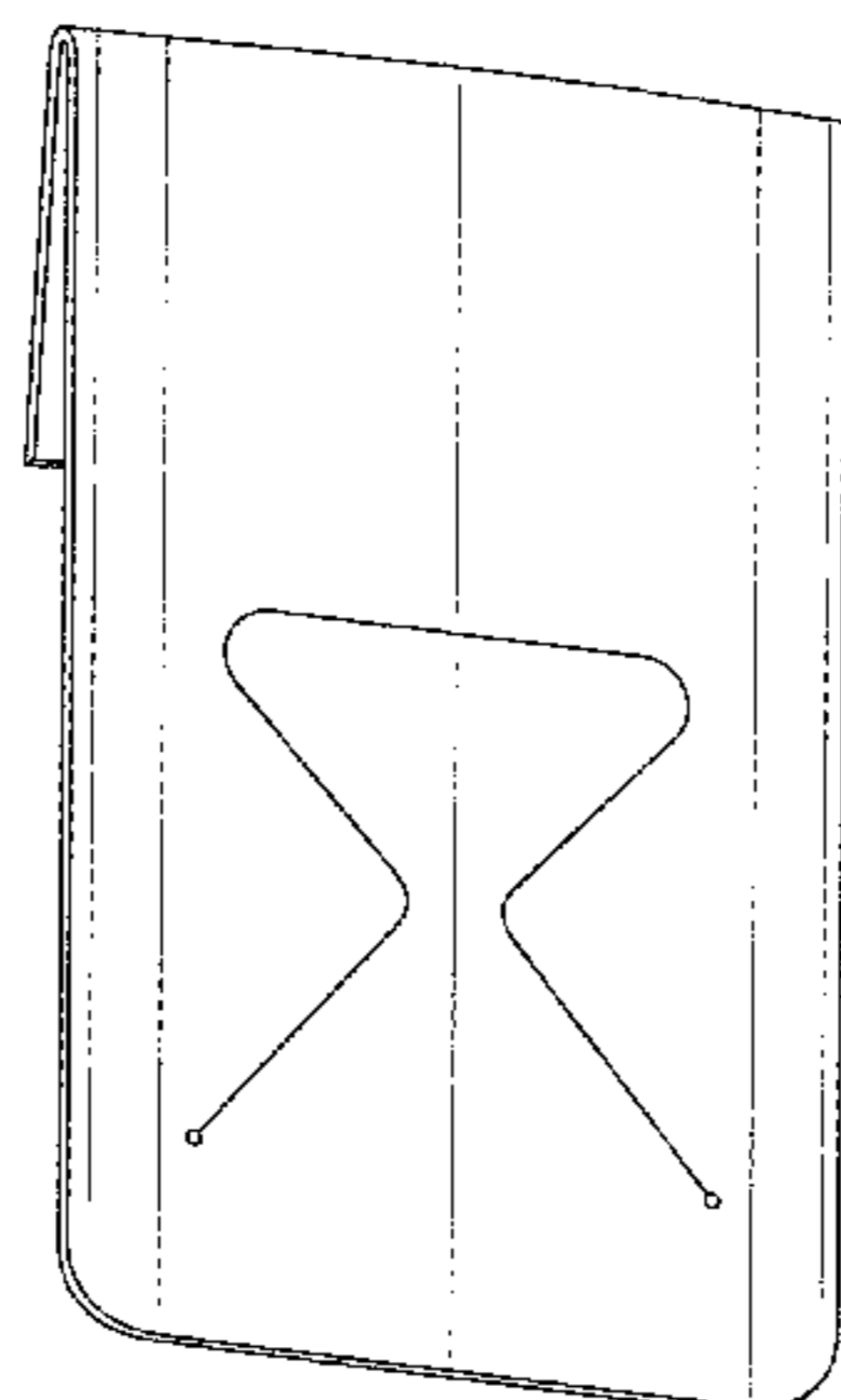
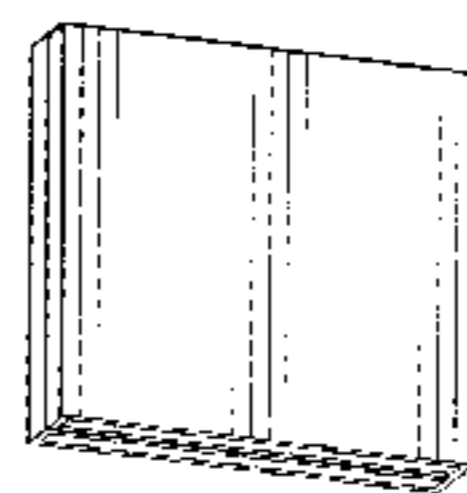


FIG. 1

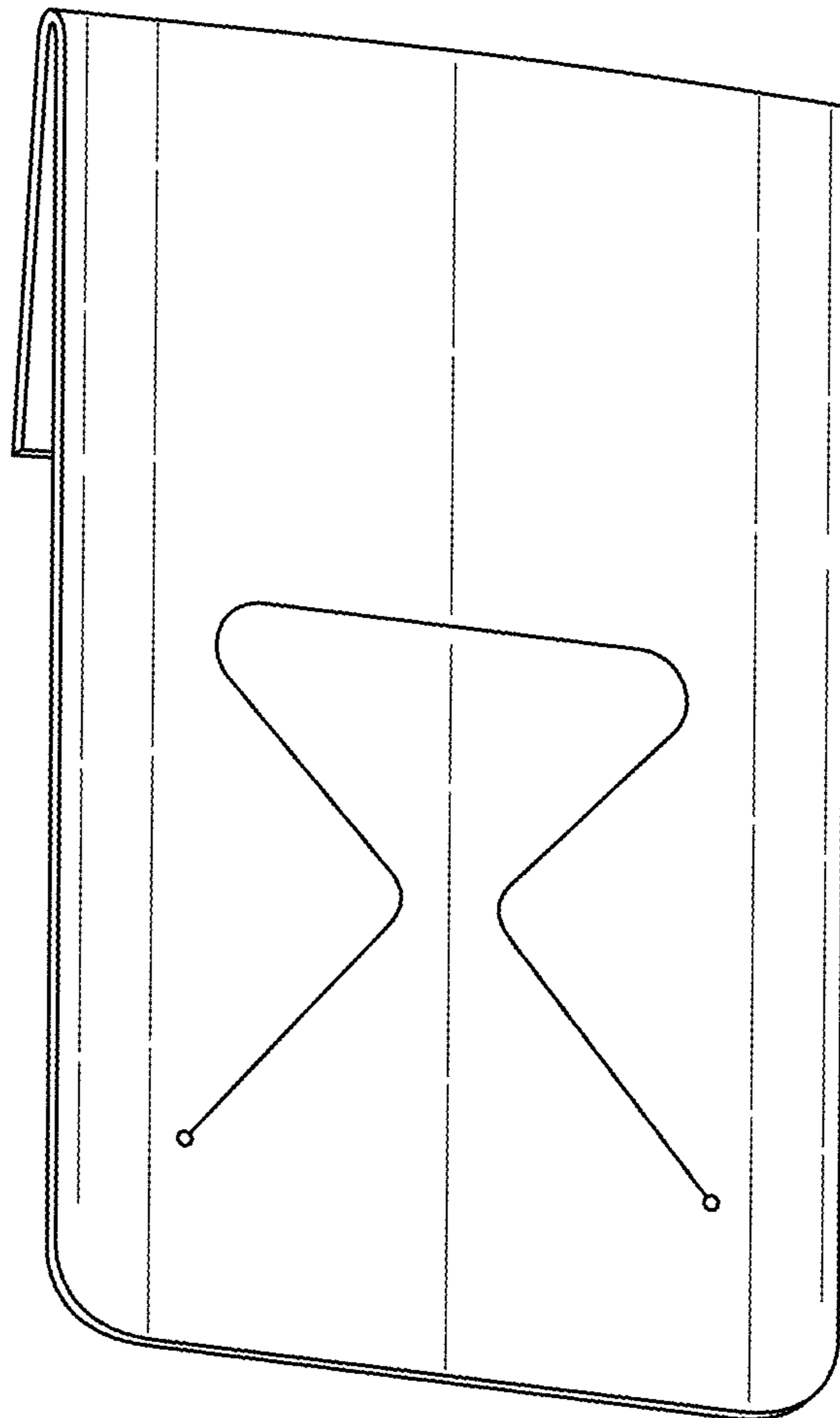
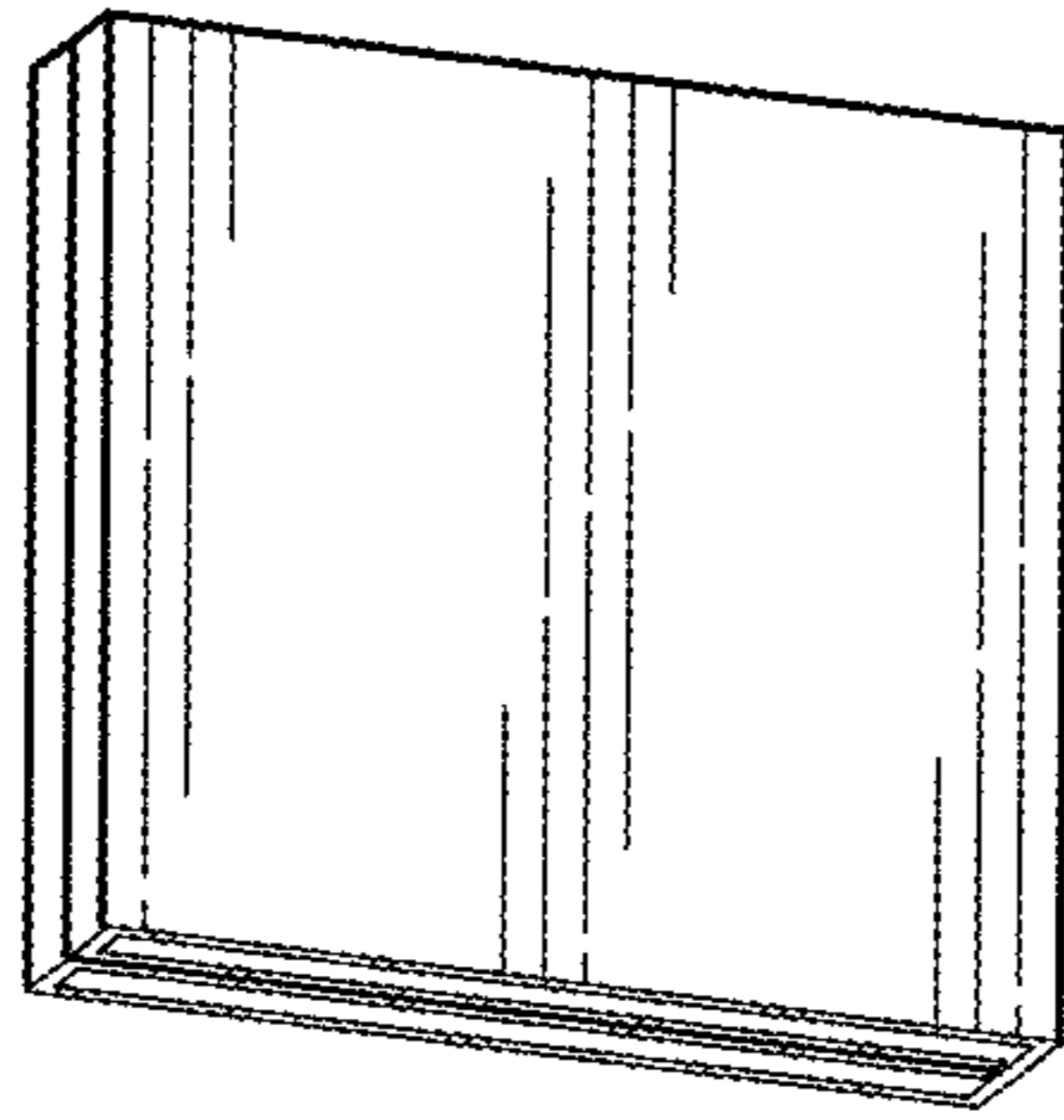


FIG. 2

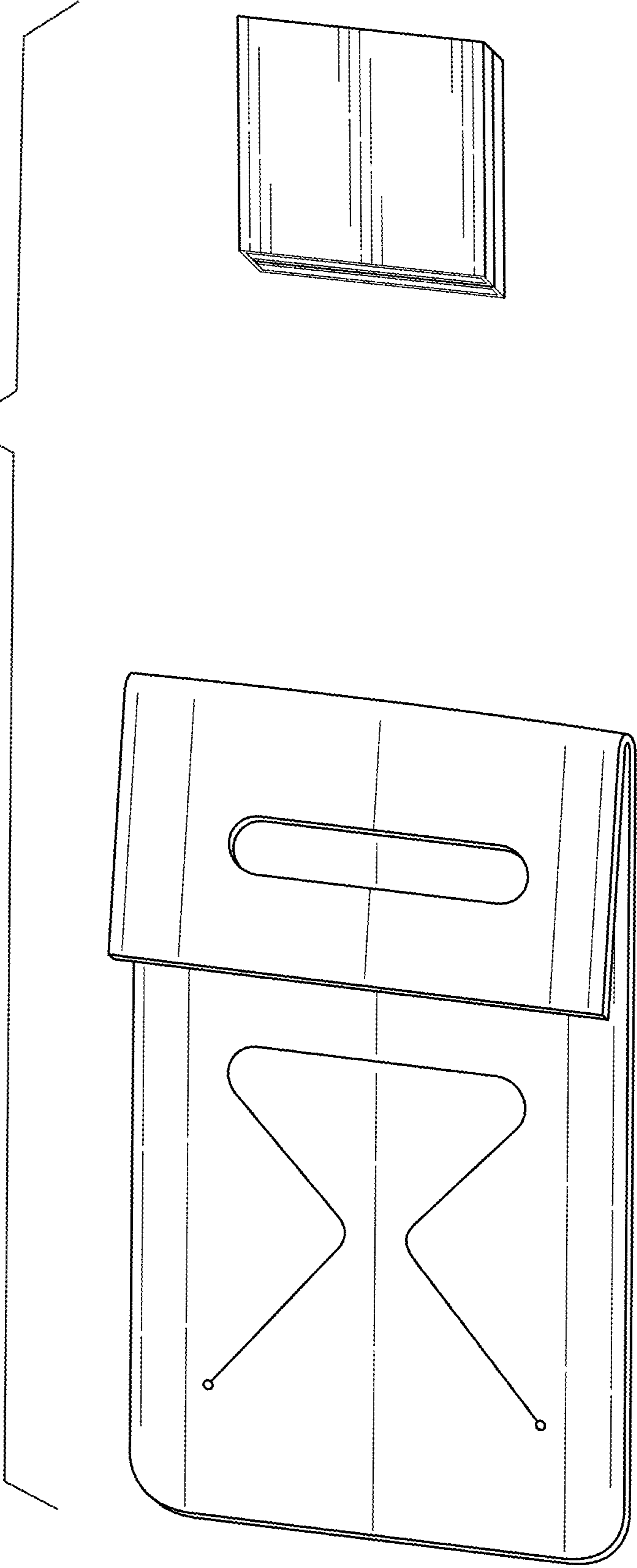


FIG. 3

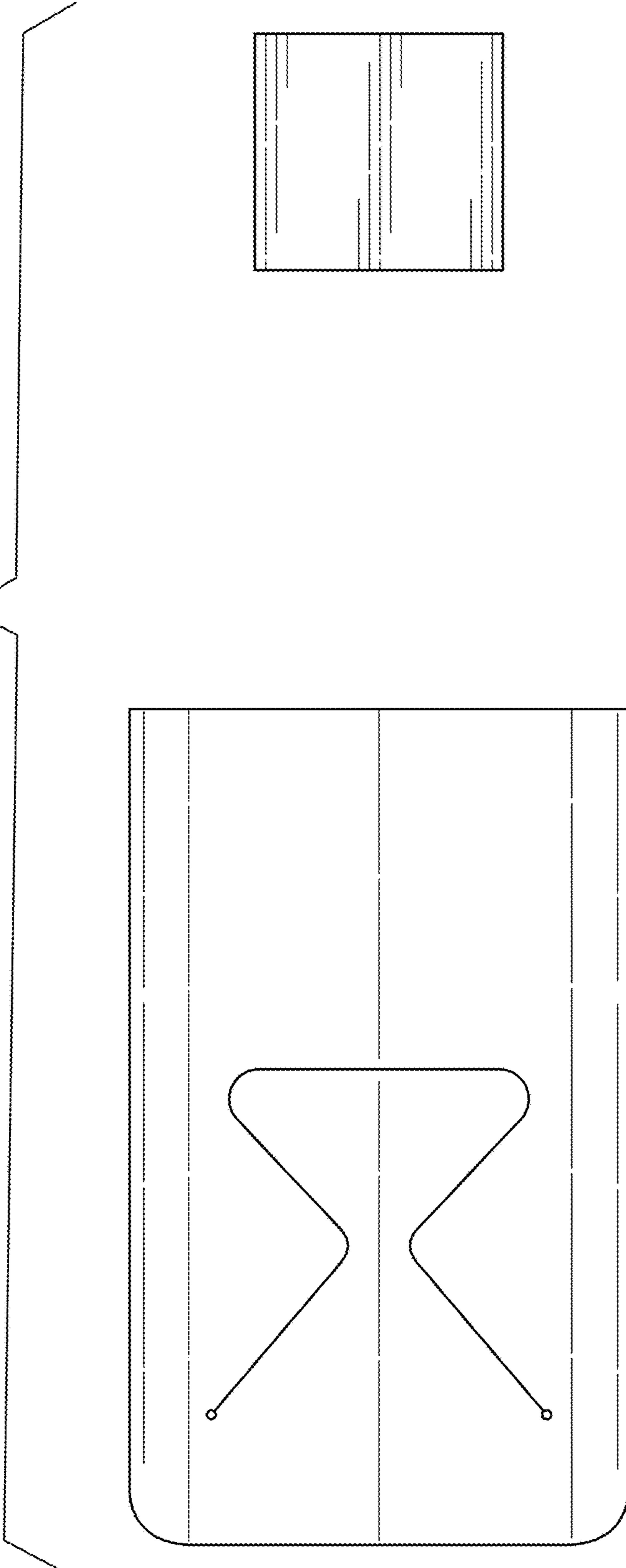
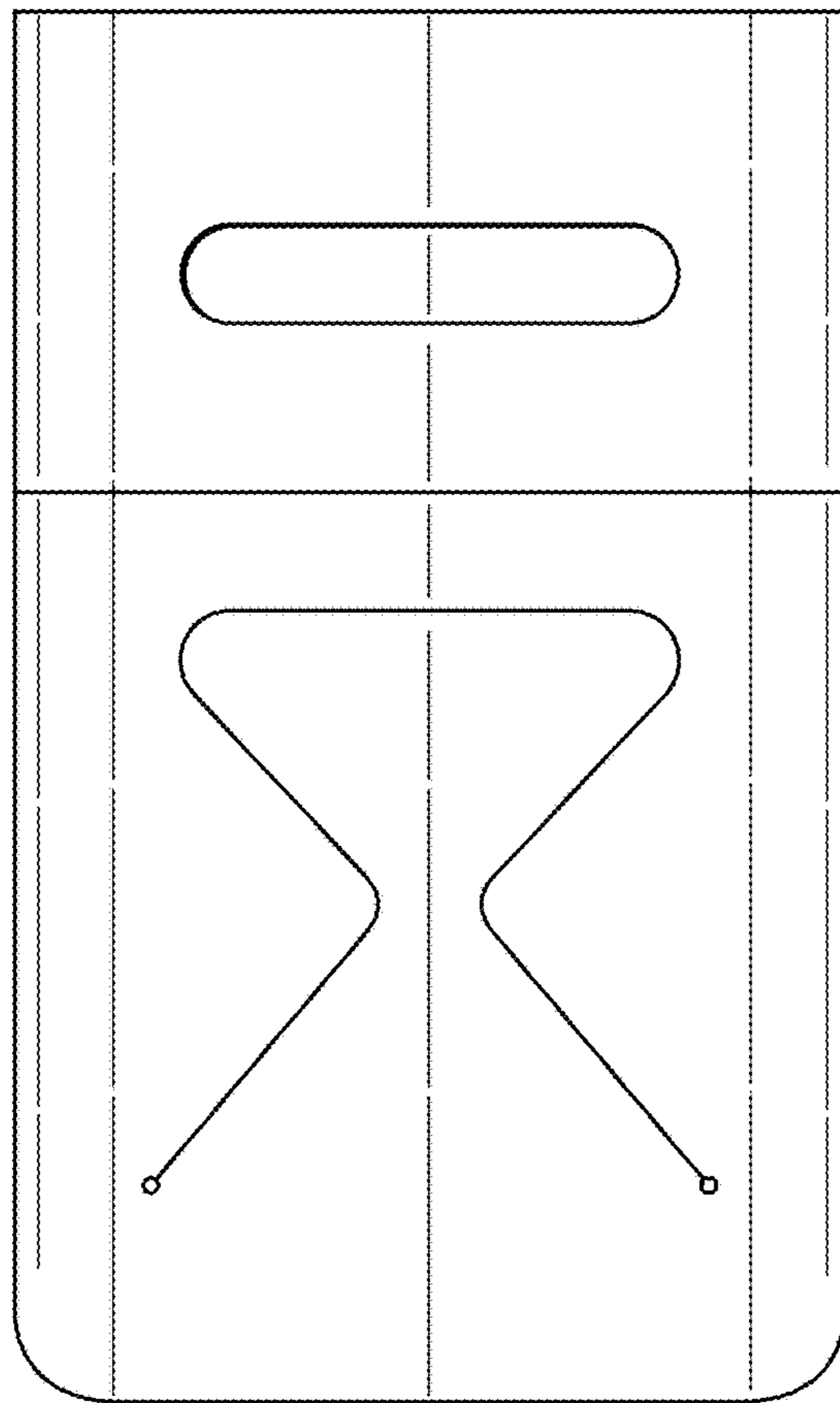
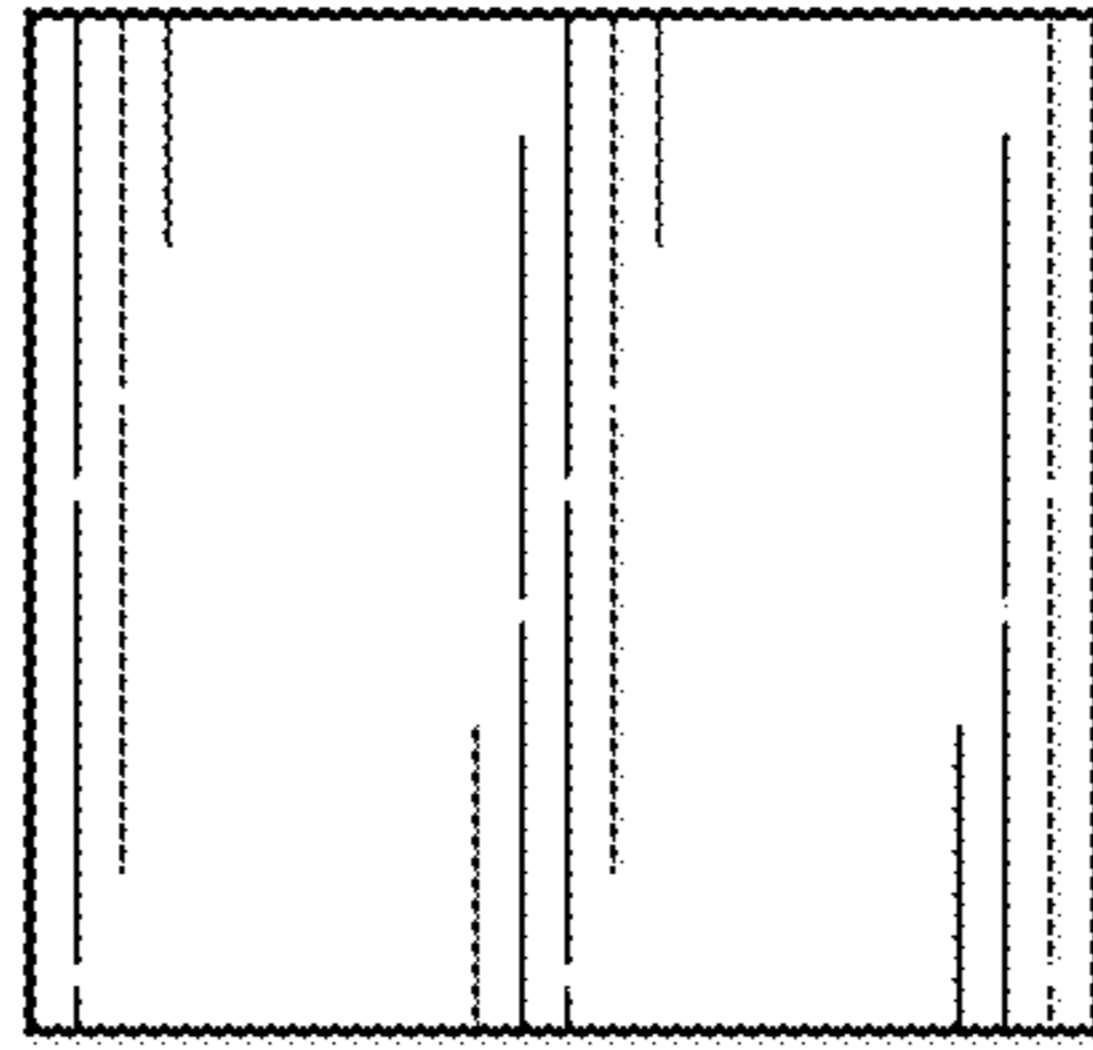


FIG. 4



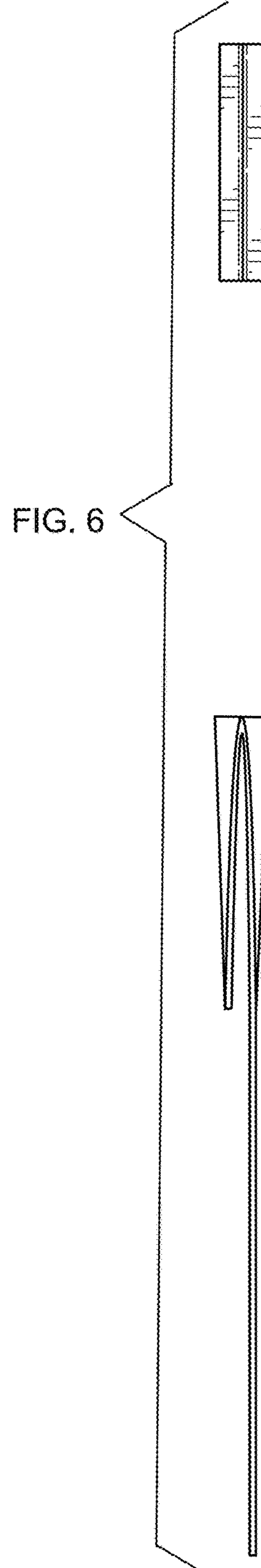
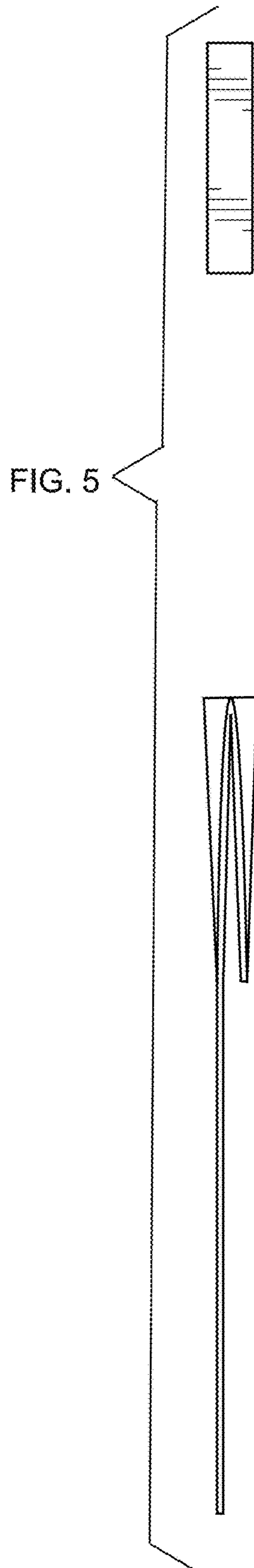




FIG. 7



FIG. 8

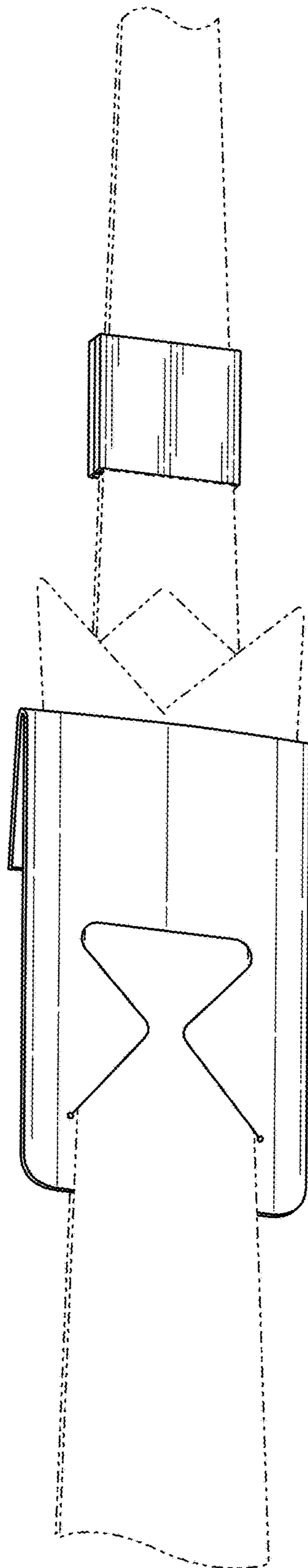


FIG. 9



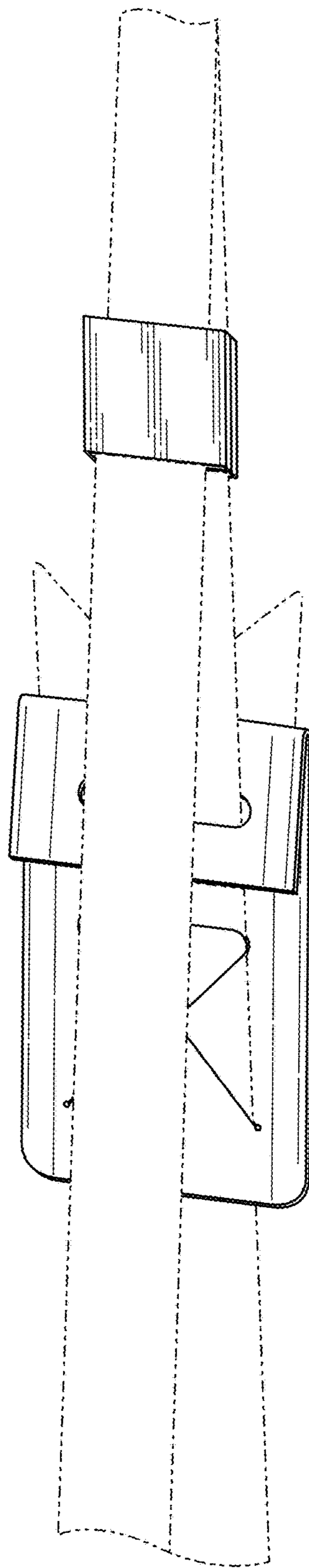


FIG. 10