



US00D807746S

(12) **United States Design Patent**
Fleming

(10) **Patent No.:** **US D807,746 S**
(45) **Date of Patent:** **** Jan. 16, 2018**

(54) **CUP LID FOR TEA**

(71) Applicant: **VAPORPATH, INC.**, Bainbridge Island, WA (US)

(72) Inventor: **Douglas H. Fleming**, Bainbridge Island, WA (US)

(73) Assignee: **VAPORPATH, INC.**, Bainbridge Island, WA (US)

(**) Term: **15 Years**

(21) Appl. No.: **29/540,492**

(22) Filed: **Sep. 24, 2015**

(51) **LOC (11) Cl.** **09-07**

(52) **U.S. Cl.**
USPC **D9/454**; D7/396.2; D9/434; D9/435;
D9/436

(58) **Field of Classification Search**

USPC D3/202, 203.1, 203.2, 273, 275, 294,
D3/318; D6/516; D7/300, 300.1, 316,
D7/317, 387, 391, 392.1, 393, 396.2, 509,
D7/510, 511, 531, 538, 541, 549, 629,
D7/703, 900; D9/434, 435, 438, 439,
D9/440, 443, 446, 447, 448, 449, 450,
D9/452, 453, 454, 502, 503, 504, 529;
D19/70, 71, 93, 96, 115, 162, 163, 165,
D19/192, 194; D26/36, 123, 124;
D28/7, 76, 78, 82, 91; D23/260;
215/200, 235, 236, 252, 254, 329,
215/355-364; 220/203.4-203.7, 203.11,
220/254.1, 254.4, 556, 703, 704, 705,
220/787, 789

CPC A62C 31/02; B65D 1/02; B65D 1/0233;
B65D 1/08; B65D 1/10; B65D 25/00;
B65D 25/40; B65D 25/42; B65D 25/46;
B65D 25/48; B65D 25/77; B65D 39/00;
B65D 39/0047; B65D 41/00; B65D
43/00; B65D 43/02; B65D 51/02; B65D
51/04; B65D 50/041; B65D 23/00; B65D

1/00; B65D 1/0223; B65D 2501/00;
B65D 2501/0009; B65D 83/06; B05B
17/00; B05B 15/002; A45D 34/00; A45D
34/042; A45D 2040/0006; A45D
2040/093

See application file for complete search history.

(56) **References Cited**

U.S. PATENT DOCUMENTS

4,489,848	A	12/1984	Braude	
D288,667	S *	3/1987	Miner	D9/440
D296,523	S *	7/1988	Corno	D9/435
D504,796	S *	5/2005	Schuler	D7/392.1
D538,653	S *	3/2007	Robinson	D9/449
D643,245	S *	8/2011	Minarsch	D7/392.1
D696,940	S *	1/2014	Hale	D9/447
D709,366	S *	7/2014	Fleming	D9/435
D721,535	S *	1/2015	Chapman	D7/396.2
D722,498	S *	2/2015	Fleming	D9/447

(Continued)

Primary Examiner — Thomas Johannes

Assistant Examiner — Catherine S Posthauer

(74) *Attorney, Agent, or Firm* — R. Reams Goodloe, Jr.

(57) **CLAIM**

The ornamental design for a cup lid for tea, as shown and described.

DESCRIPTION

FIG. 1 is a top perspective view of a cup lid for tea showing the novel lid my new design.

FIG. 2 is a front elevation view thereof;

FIG. 3 is a back elevation view thereof;

FIG. 4 is a left side view thereof;

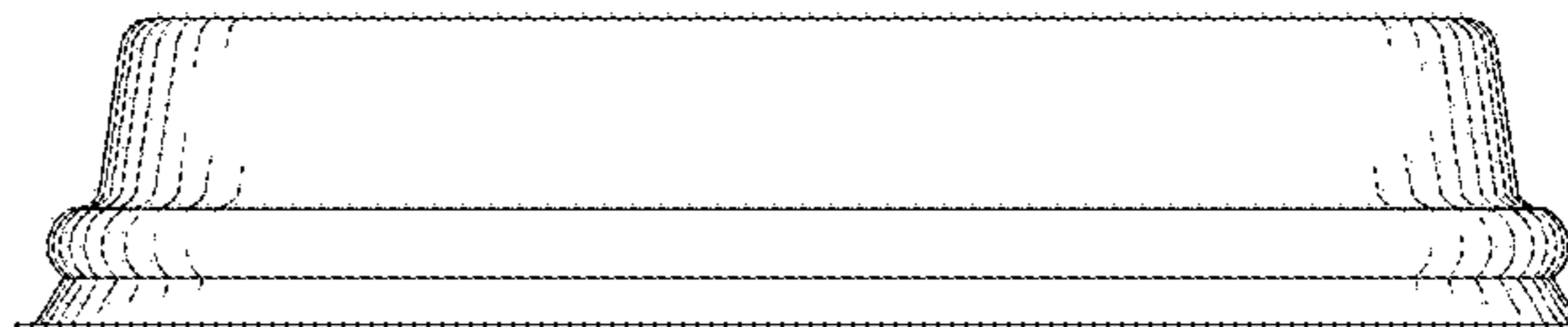
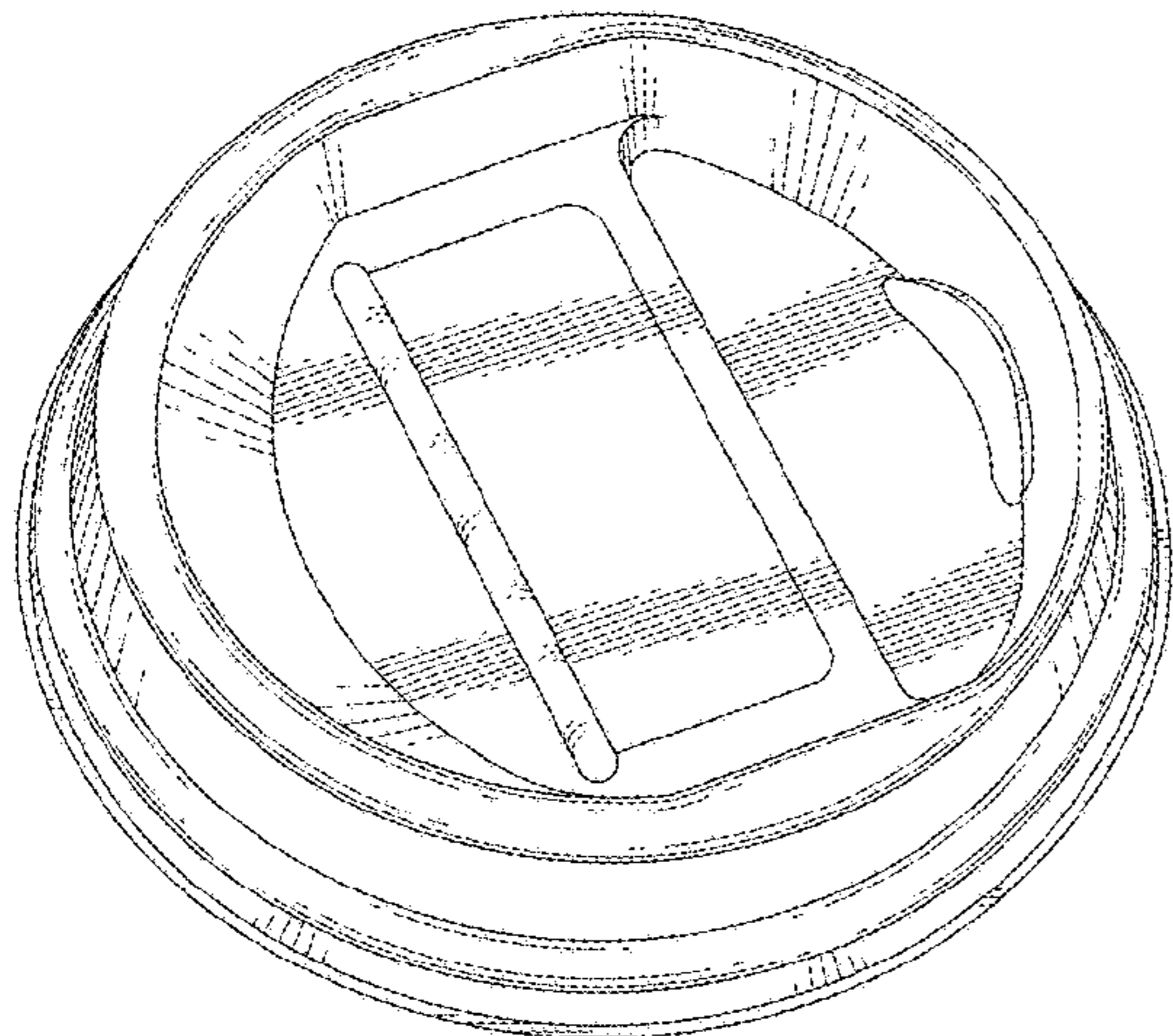
FIG. 5 is a right side view thereof;

FIG. 6 is a top plan view thereof; and,

FIG. 7 is a bottom plan view thereof.

The lid may be useful for covering hot beverage containers, such as cups containing hot tea.

1 Claim, 3 Drawing Sheets



(56)

References Cited

U.S. PATENT DOCUMENTS

8,950,623 B2 * 2/2015 Fleming B65D 43/02
220/713
D732,337 S * 6/2015 Coon D7/392.1
D752,381 S * 3/2016 Wahl D7/392.1
D752,436 S * 3/2016 Crudgington D9/434
D764,917 S * 8/2016 Velez D9/447
2009/0008390 A1 1/2009 Robinson
2012/0201941 A1 8/2012 Lavoie
2014/0008378 A1 * 1/2014 Rinderer B65D 43/0212
220/703
2014/0048549 A1 * 2/2014 Wille B65D 43/0222
220/713
2015/0250340 A1 * 9/2015 Liu B65D 43/02
220/254.9
2016/0264312 A1 * 9/2016 Choltco-Devlin . B65D 47/0895
2016/0319490 A1 * 11/2016 Wang D21J 7/00

* cited by examiner

FIG. 1

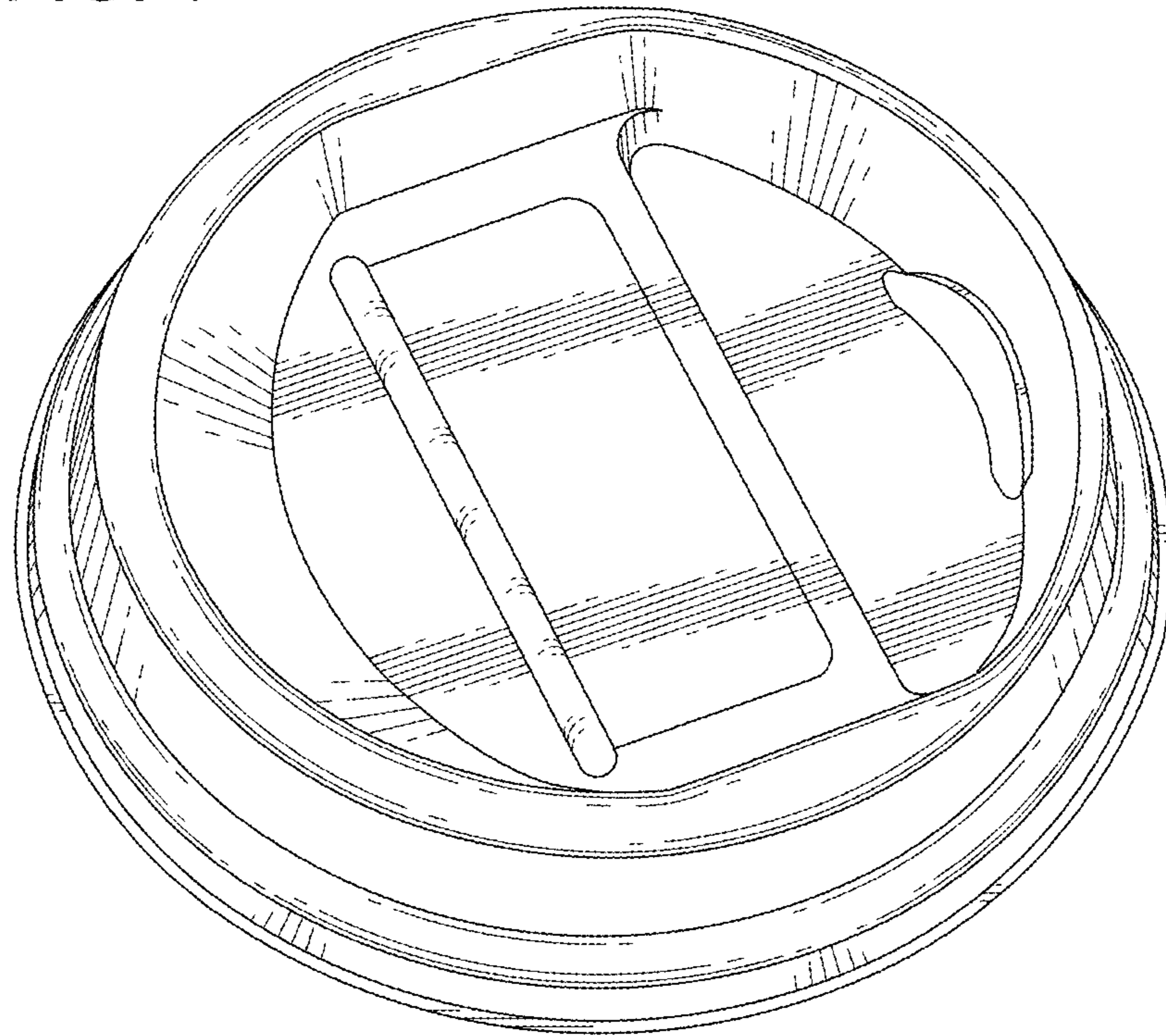


FIG. 2

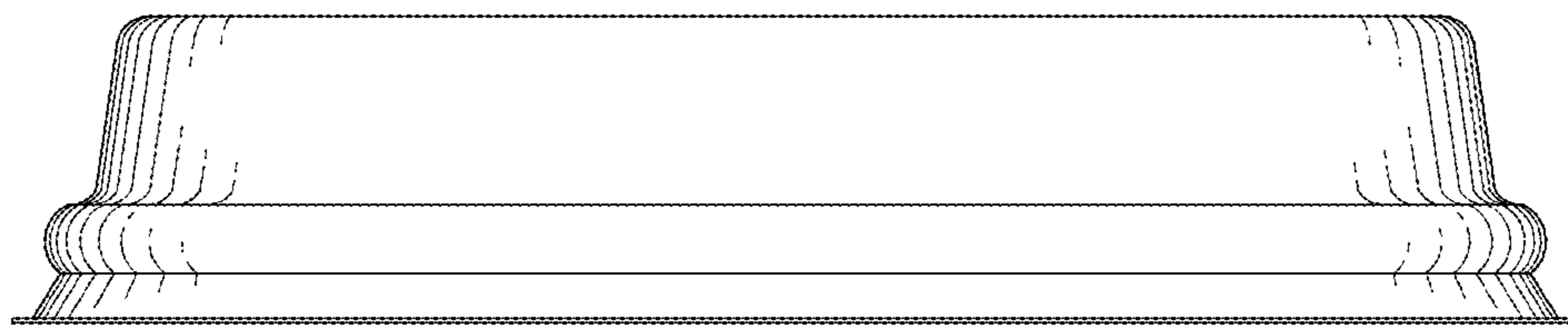


FIG. 3

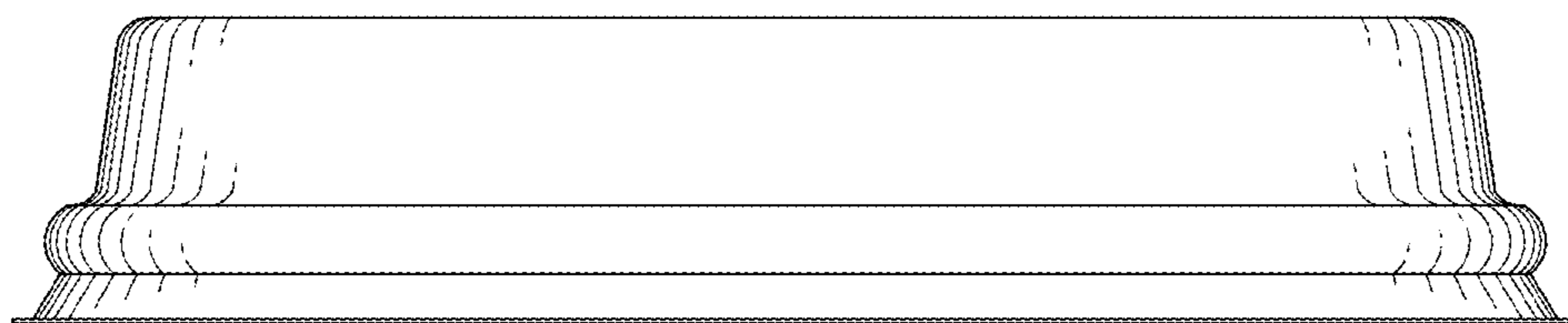


FIG. 4

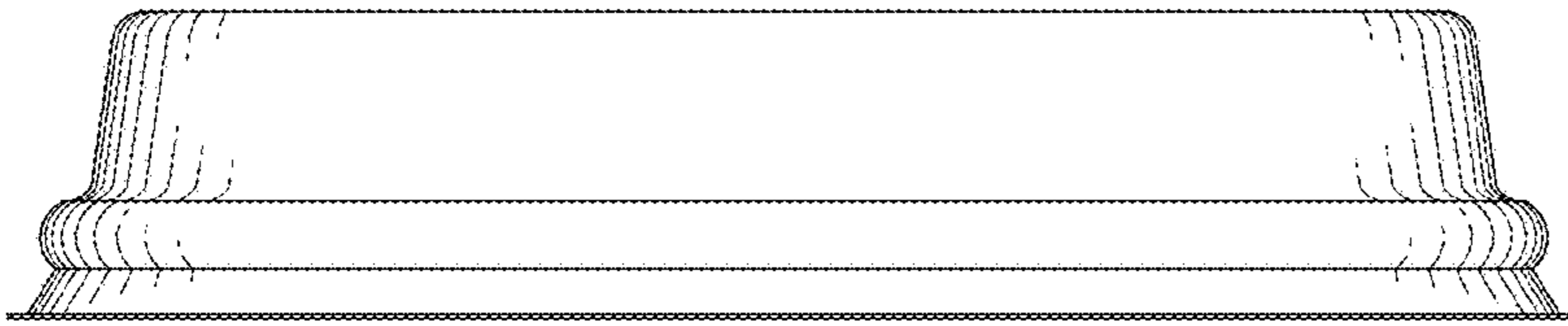


FIG. 5

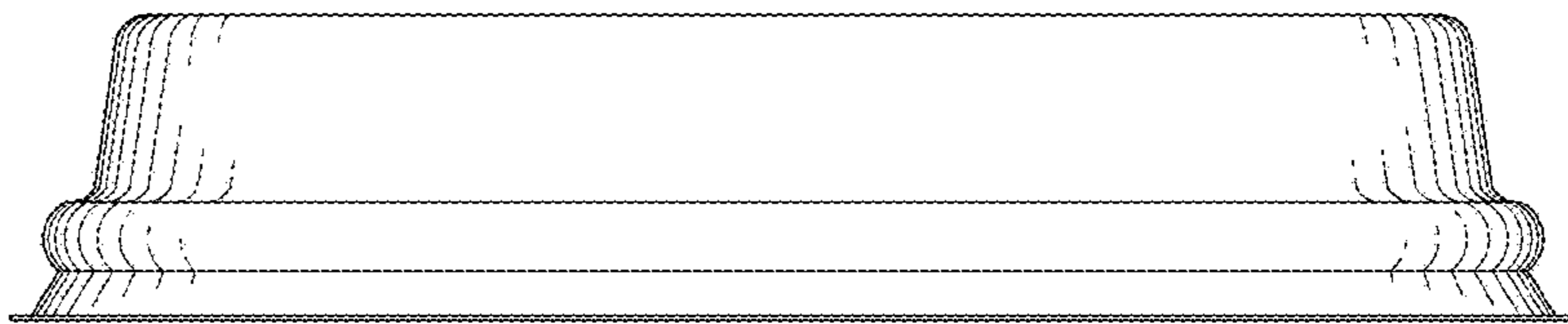


FIG. 6

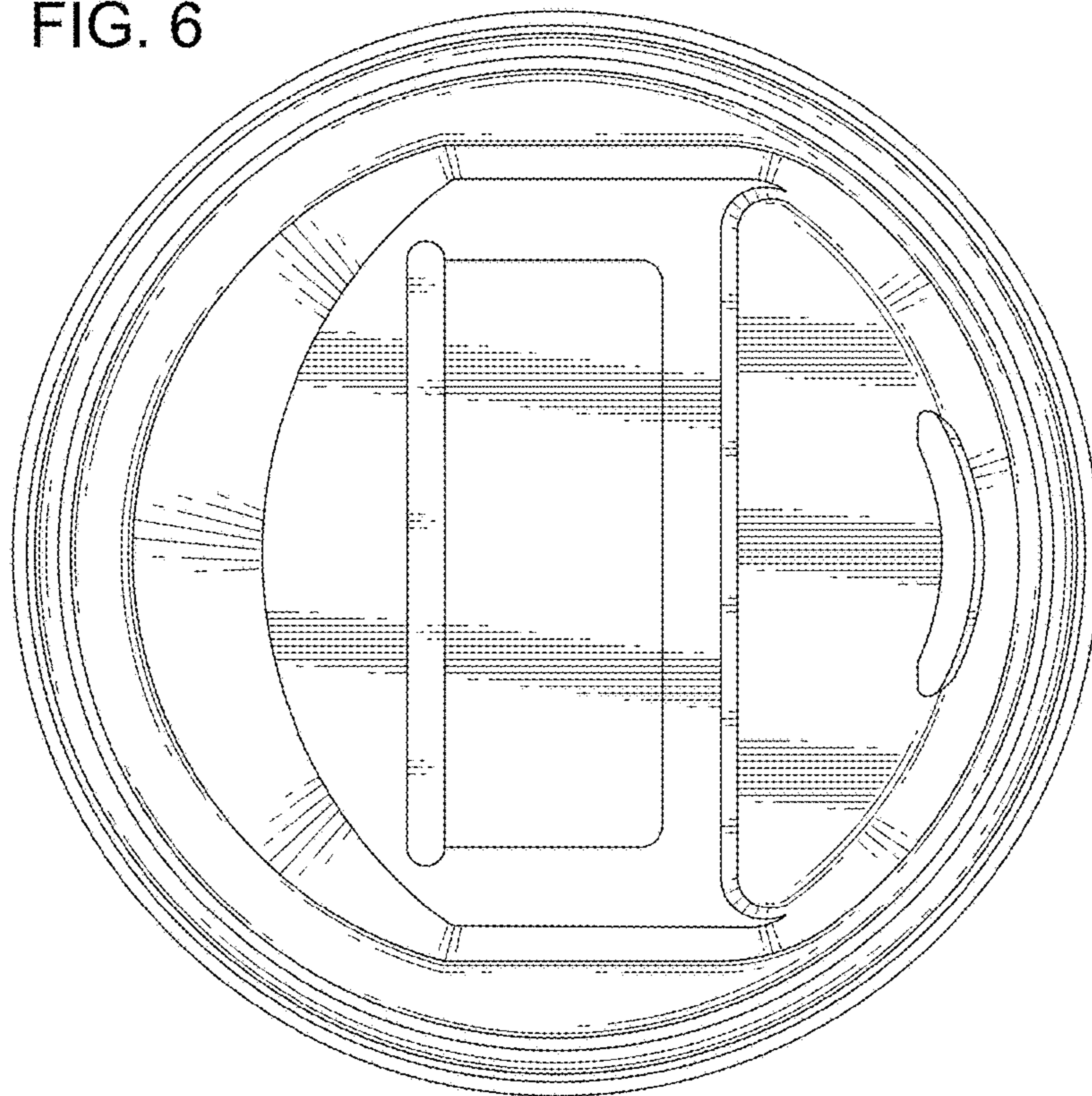
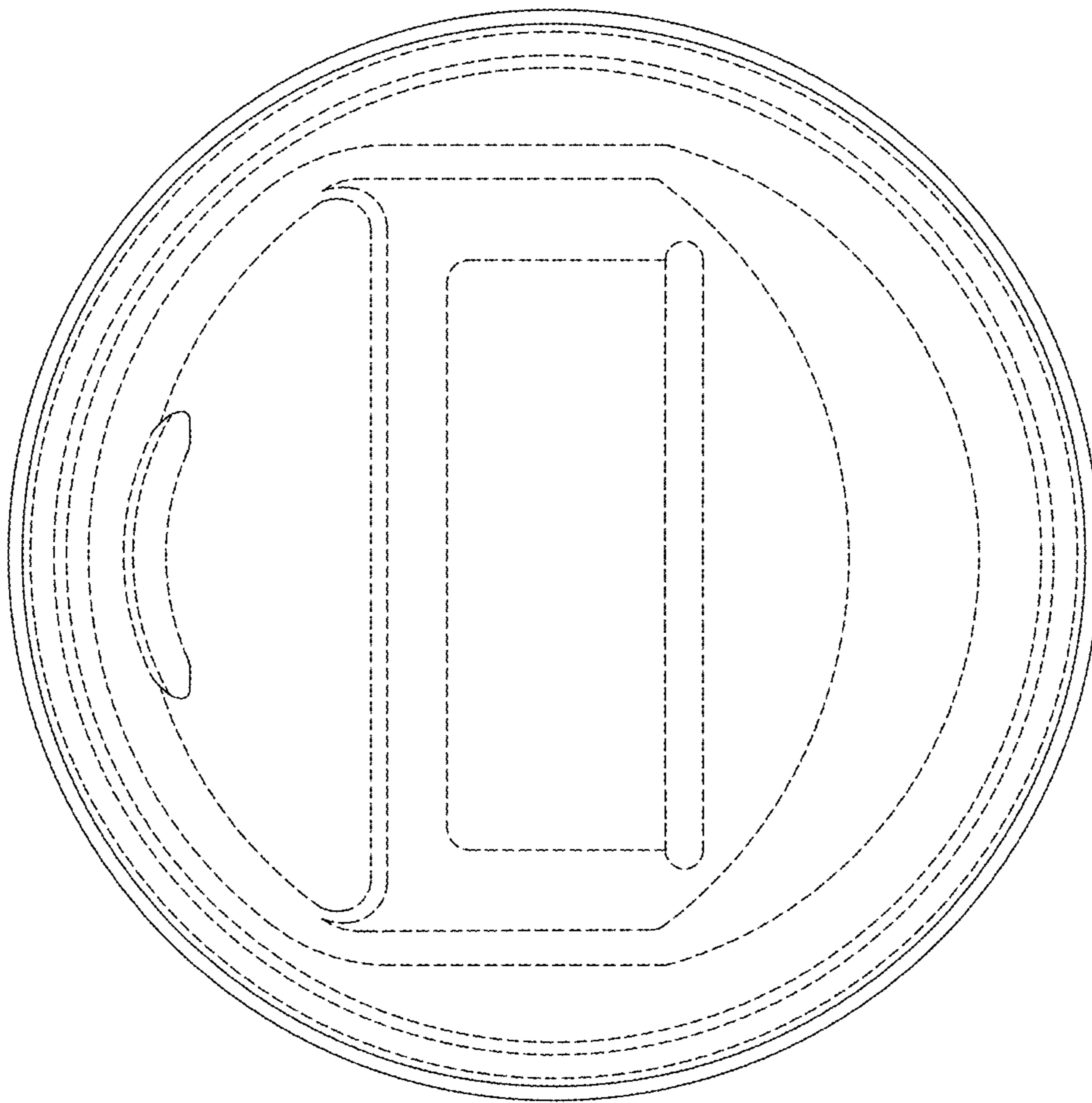


FIG. 7



UNITED STATES PATENT AND TRADEMARK OFFICE
CERTIFICATE OF CORRECTION

PATENT NO. : D807,746 S
APPLICATION NO. : 29/540492
DATED : January 16, 2018
INVENTOR(S) : Douglas H. Fleming

Page 1 of 1

It is certified that error appears in the above-identified patent and that said Letters Patent is hereby corrected as shown below:

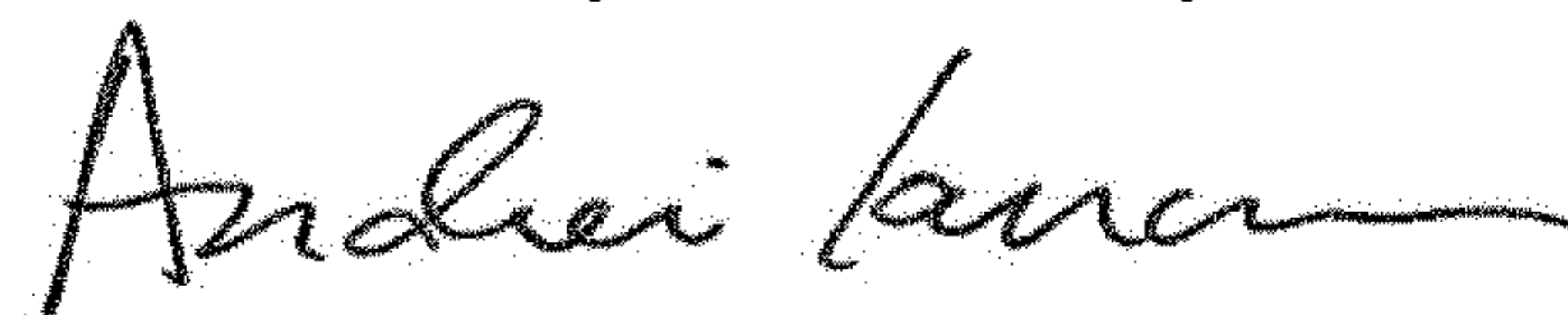
On the Title Page

IN THE DESCRIPTION

Column 2, Line 2, after the words "Fig. 1 is a top perspective view of a cup lid for tea showing", delete "the novel lid".

Column 2, Lines 9-10, after the words "Fig. 7 is a bottom plan view thereof.", delete "The lid may be useful for covering hot beverage containers, such as cups containing hot tea.".

Signed and Sealed this
Fourth Day of February, 2020



Andrei Iancu
Director of the United States Patent and Trademark Office

UNITED STATES PATENT AND TRADEMARK OFFICE
CERTIFICATE OF CORRECTION

PATENT NO. : D807,746 S
APPLICATION NO. : 29/540492
DATED : January 16, 2018
INVENTOR(S) : Douglas H. Fleming

Page 1 of 1

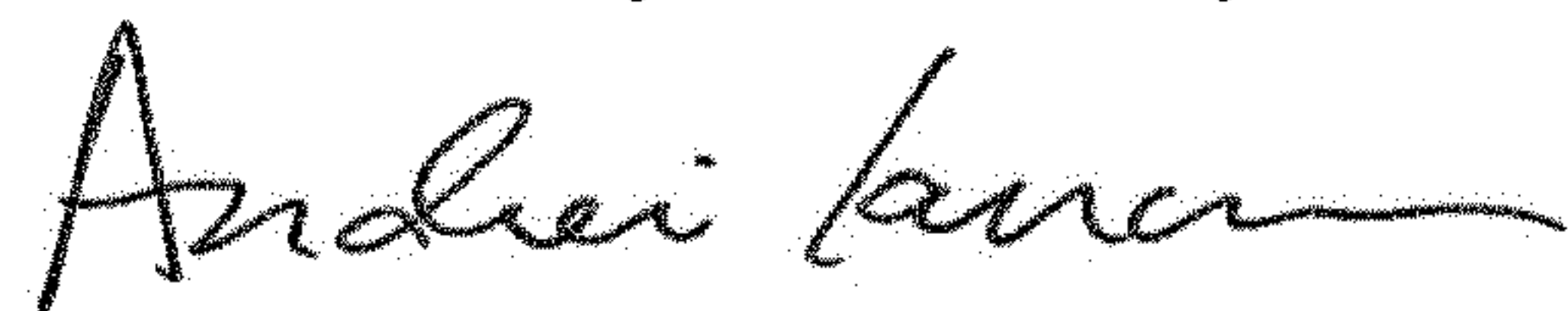
It is certified that error appears in the above-identified patent and that said Letters Patent is hereby corrected as shown below:

On the Title Page

Under "Description", before reference to "Fig. 1", insert:

--A lid for a beverage container. The lid may be useful for covering hot beverage containers, such as cups containing hot tea.--

Signed and Sealed this
Eleventh Day of February, 2020



Andrei Iancu
Director of the United States Patent and Trademark Office