



US00D807745S

(12) **United States Design Patent**
Ross et al.

(10) **Patent No.: US D807,745 S**
(45) **Date of Patent: ** Jan. 16, 2018**

(54) **COFFEE CUP LID**

(71) Applicant: **HIGHWAVE**, Oxnard, CA (US)

(72) Inventors: **Gary Ross**, Oxnard, CA (US); **Griffin Ross**, Oxnard, CA (US)

(73) Assignee: **HIGHWAVE**, Oxnard, CA (US)

(**) Term: **15 Years**

(21) Appl. No.: **29/620,465**

(22) Filed: **Jan. 3, 2017**

(51) **LOC (11) Cl.** **09-07**

(52) **U.S. Cl.**
USPC **D9/449**

(58) **Field of Classification Search**
USPC D7/316, 397, 510; D9/434-436, 438,
D9/439, 440, 443, 447, 449, 450, 454,
D9/499; D23/260, 269, 390
CPC A47G 19/2272; B65D 43/0204
See application file for complete search history.

(56) **References Cited**

U.S. PATENT DOCUMENTS

D3,349 S *	1/1869	Rowley	D9/439
D240,595 S *	7/1976	Kress	D9/452
D281,581 S *	12/1985	MacEwen	D9/435
D319,982 S *	9/1991	Matthews	D34/39
D342,448 S *	12/1993	Ritcey	D9/435
D406,237 S *	3/1999	Bettiga	D9/439
D437,223 S *	2/2001	Coy	D9/447
D581,211 S *	11/2008	Lapsker	D7/396.2
D642,057 S *	7/2011	Reed	D9/453
D649,402 S *	11/2011	Gilbert	D7/510
D705,058 S *	5/2014	Kim	D9/447
D757,541 S *	5/2016	Wu	D9/439

OTHER PUBLICATIONS

Amazon. KeepCup Travel Mug. Nov. 8, 2016 [earliest online date], [site visited May 17, 2017]. Available from Internet, URL: <https://www.amazon.com/KeepCup-CBLU08-Travel-Mug-Blueberry/dp/B01D8IPGXQ/ref=pd_sbs_79_4?_encoding=UTF8&pd_rd_i=B01D8IPGXQ&pd_rd_r=0BXMDV89BTDHVDVWT787H&pd_rd_w=lpZqm&pd_rd_wg=wj9wY&psc=1&refRID=0BXMDV89BTDHVDVWT787H>.*

* cited by examiner

Primary Examiner — Robert M. Spear

Assistant Examiner — Darcey E Heflin

(74) *Attorney, Agent, or Firm* — Jonathan E. Grant; Grant Patent Services

(57) **CLAIM**

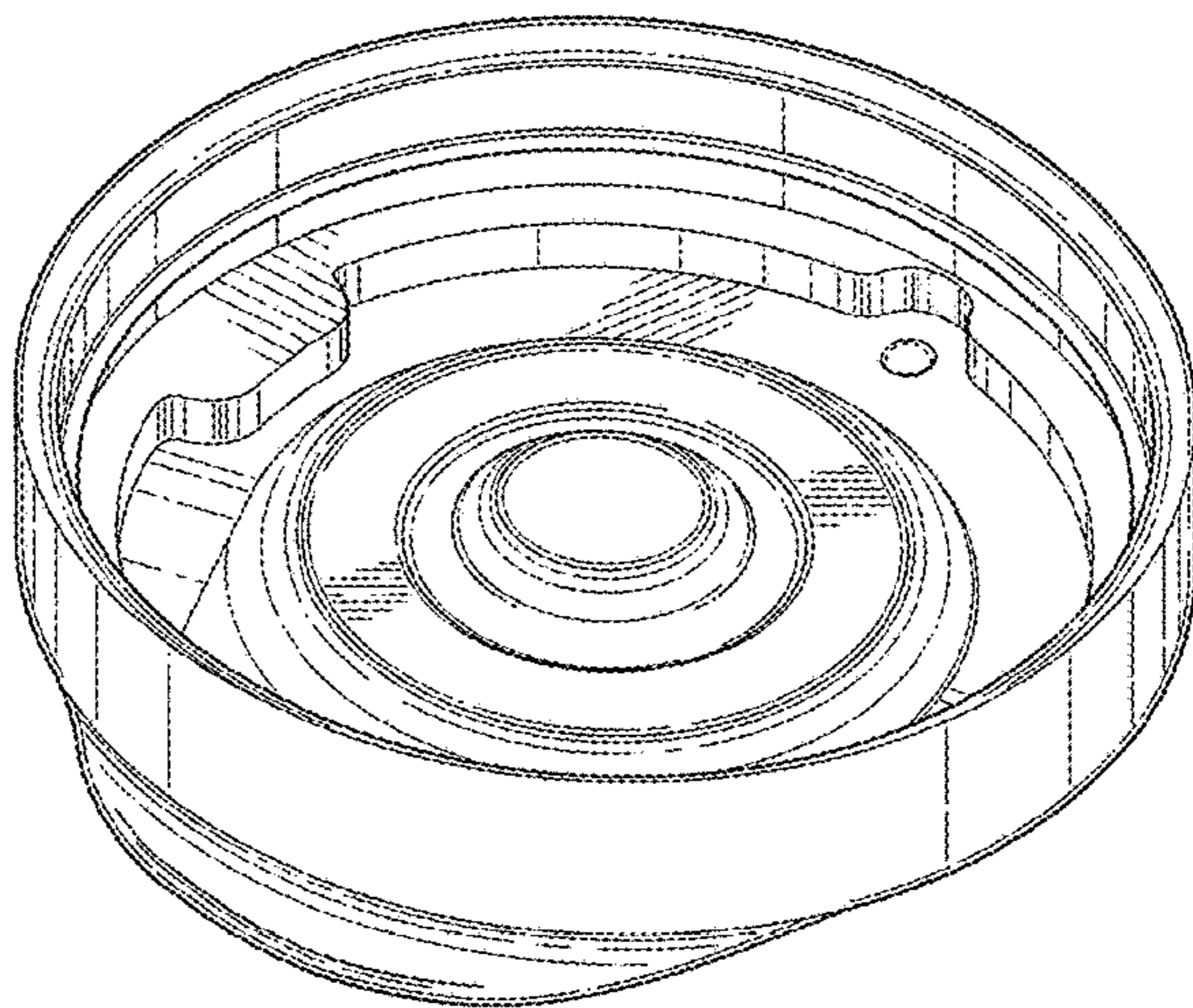
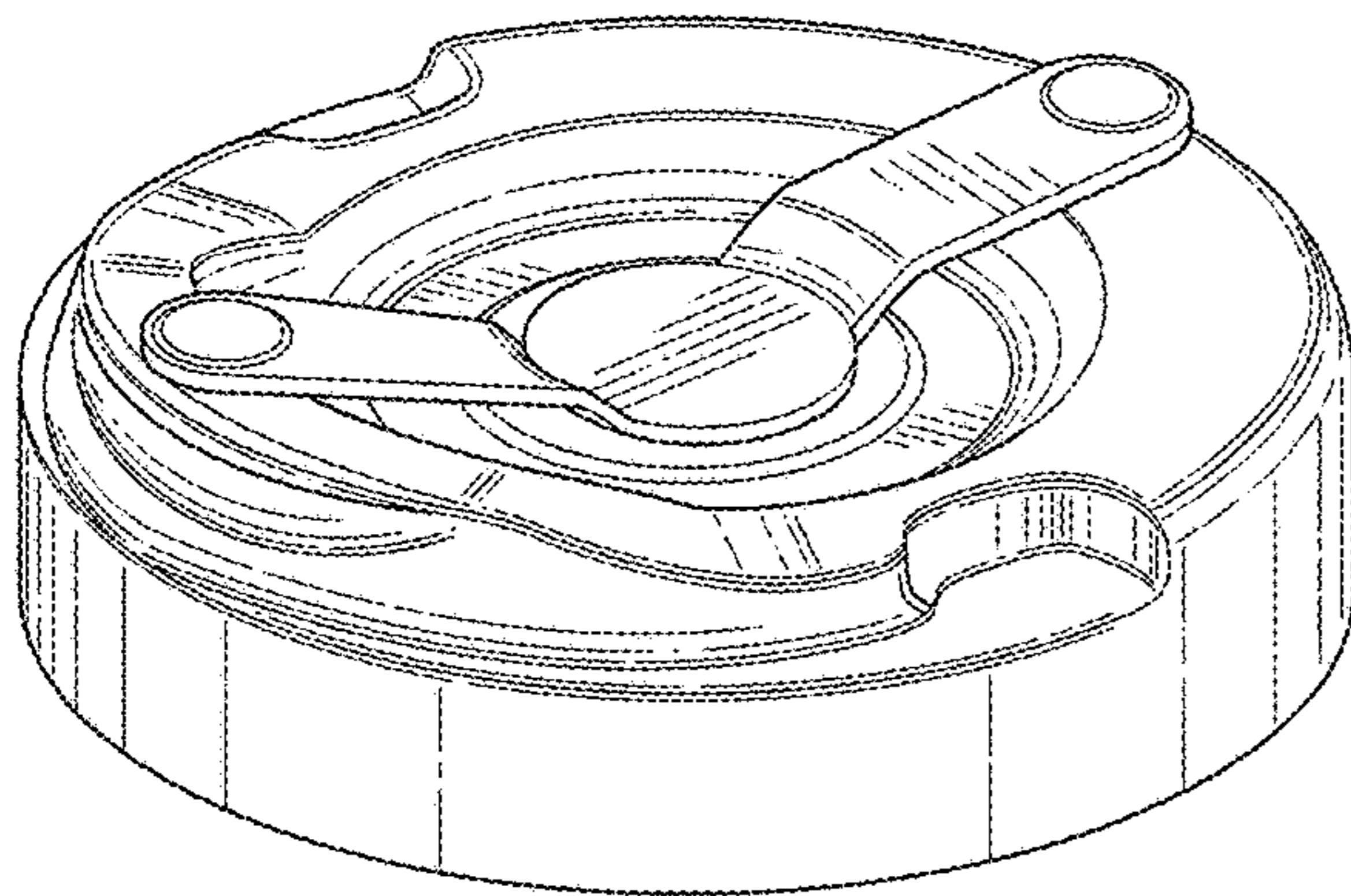
We claim the ornamental design for a coffee cup lid.

DESCRIPTION

FIG. 1—is a perspective view of a coffee cup lid;
FIG. 2—is a perspective view of the underside of the coffee cup lid;
FIG. 3—is a first side view of the coffee cup lid;
FIG. 4—is a back view of the coffee cup lid;
FIG. 5—is a front view of the coffee cup lid;
FIG. 6—is a second side view of the coffee cup lid;
FIG. 7—is a top view of the coffee cup lid; and,
FIG. 8—is an overhead view of the underside of the coffee cup lid.

In the drawings, the broken lines showing portions of a coffee cup lid depict environment and form no part of the claim.

1 Claim, 6 Drawing Sheets



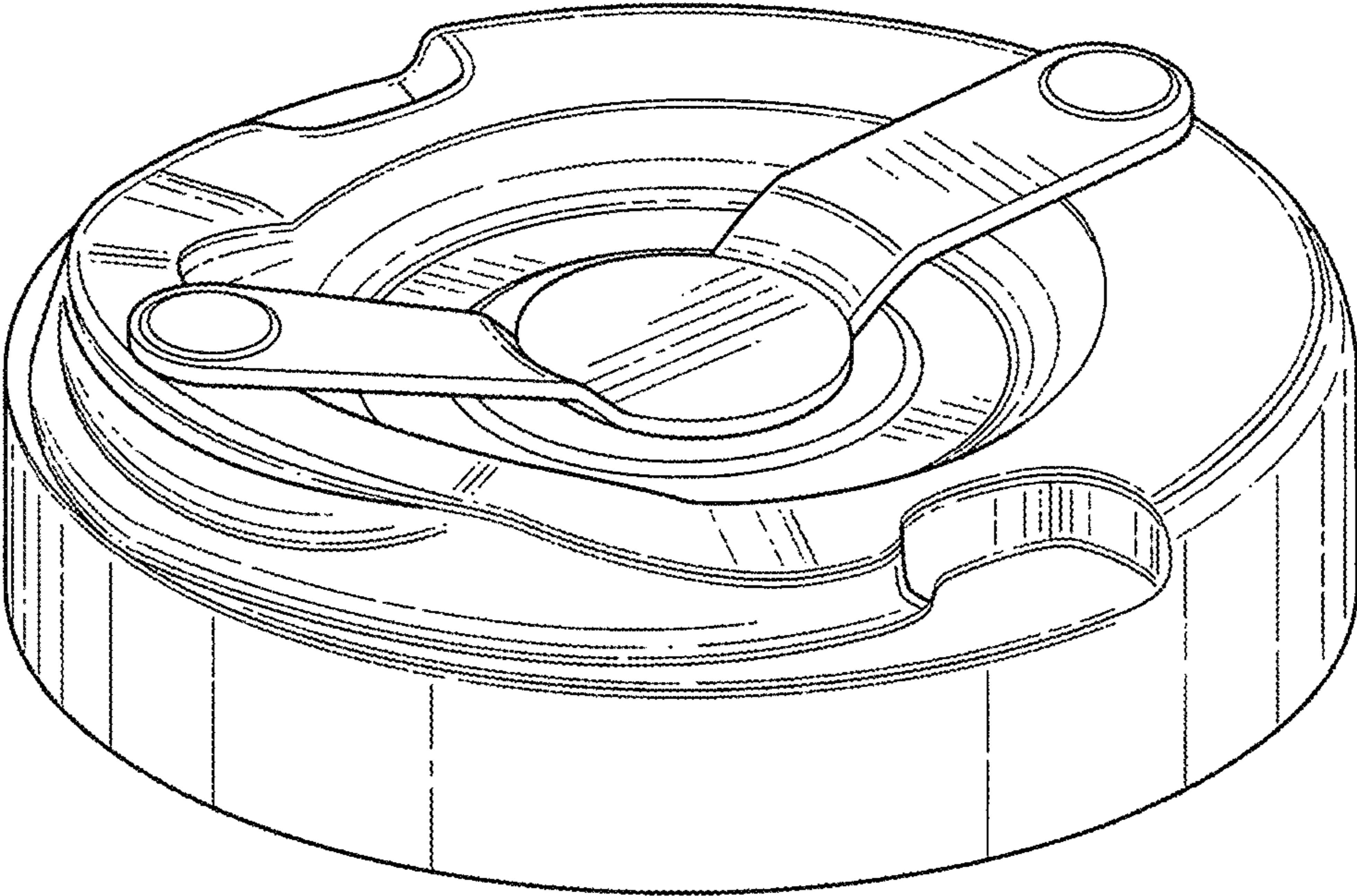


FIG. 1

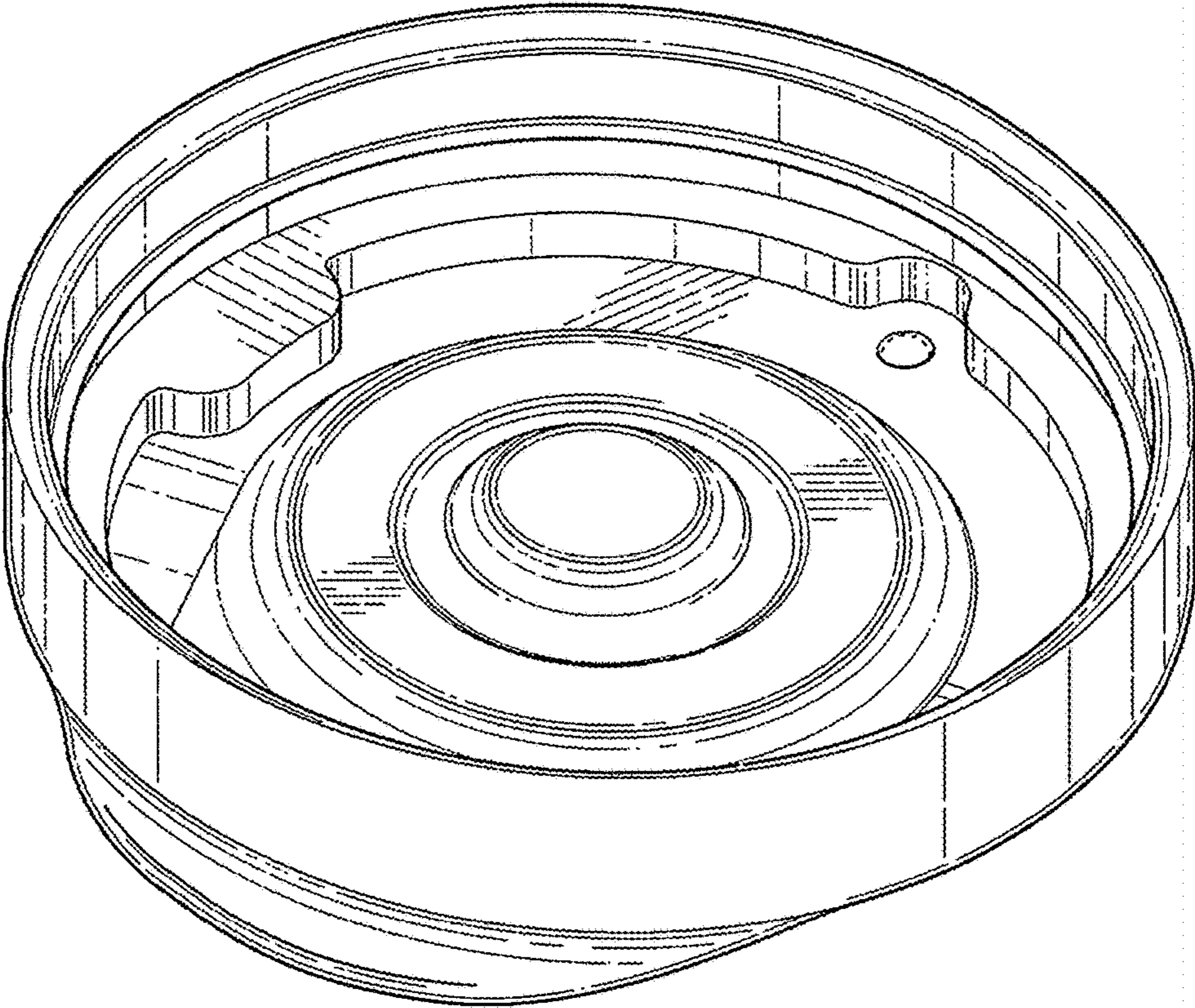


FIG. 2

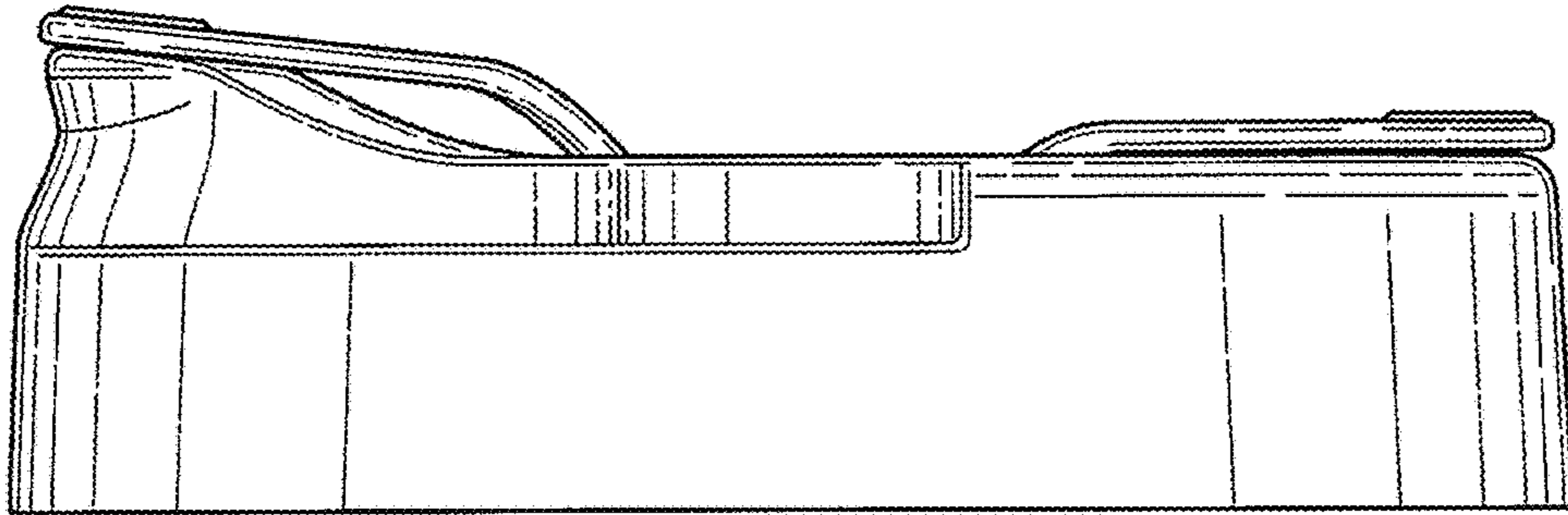


FIG. 3

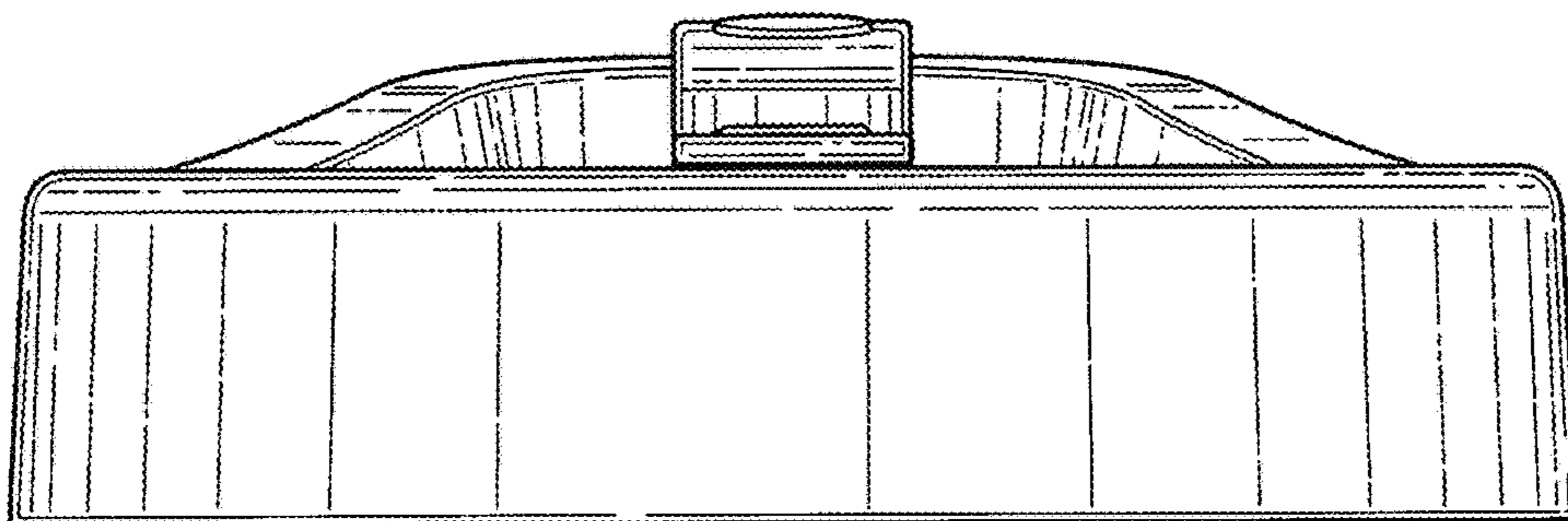


FIG. 4

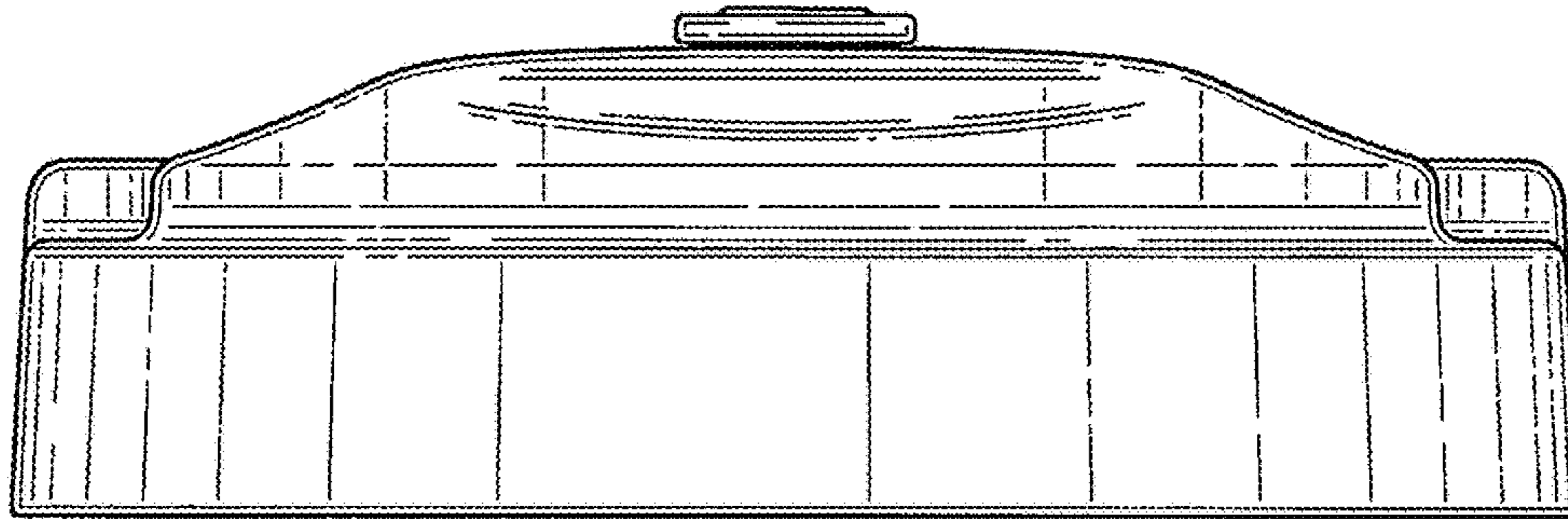


FIG. 5

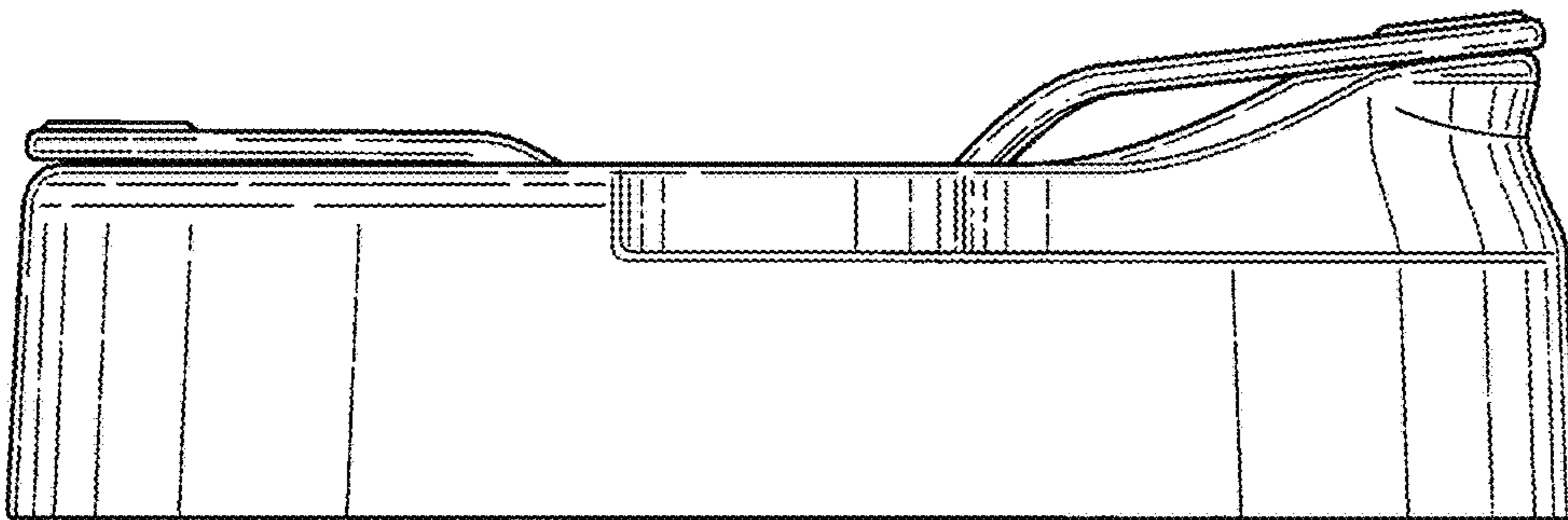


FIG. 6

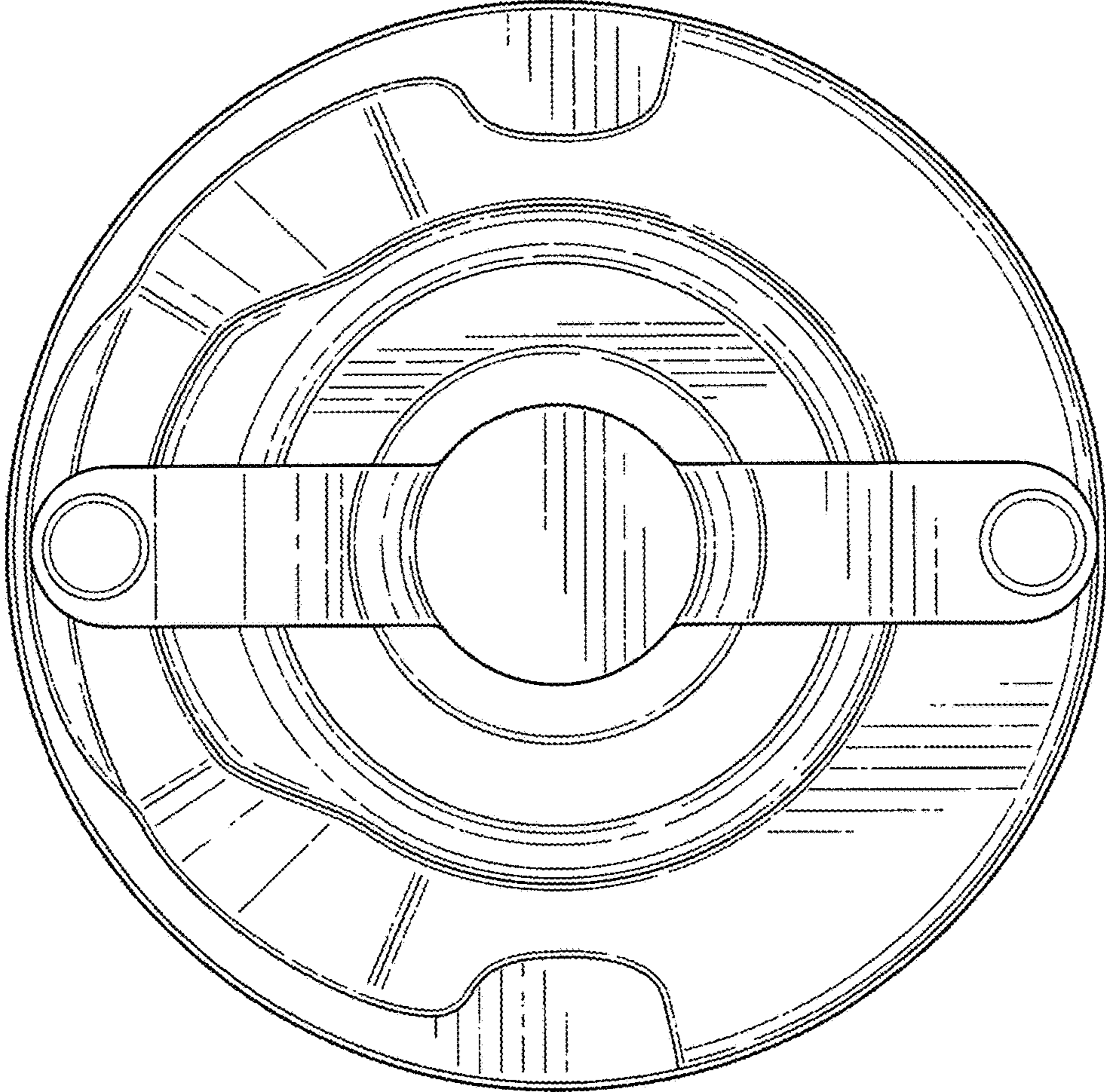


FIG. 7

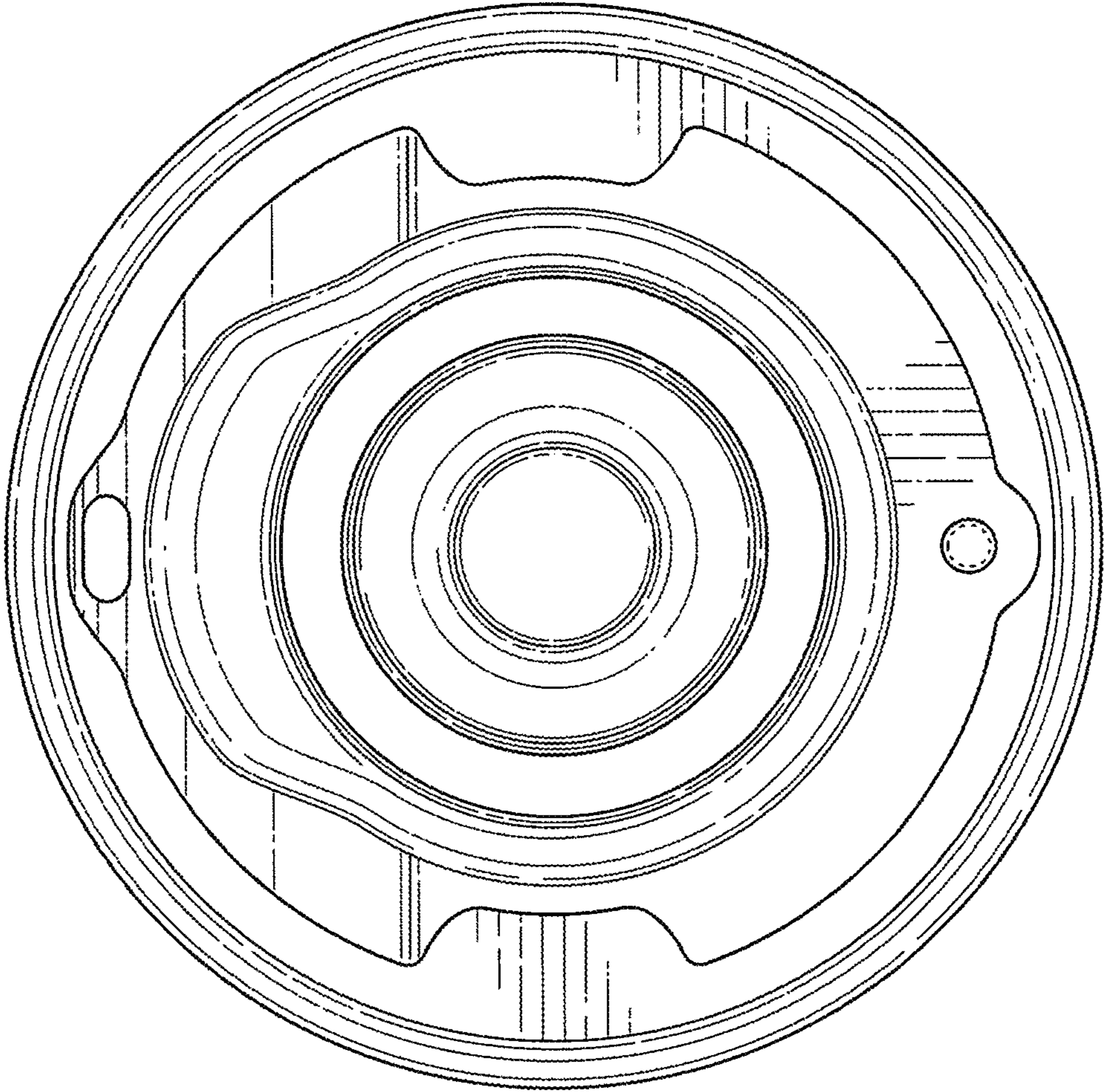


FIG. 8