



US00D807738S

(12) **United States Design Patent** (10) **Patent No.:** **US D807,738 S**
Giraud et al. (45) **Date of Patent:** **** Jan. 16, 2018**

(54) **CONTAINER FOR STORAGE**

(71) Applicant: **CSP TECHNOLOGIES, INC.**,
Auburn, AL (US)

(72) Inventors: **Jean-Pierre Giraud**, Auburn, AL (US);
Herve Pichot, Chennevieres-sur-Marne
(FR); **Franklin Lee Lucas, Jr.**,
Opelika, AL (US)

(73) Assignee: **CSP TECHNOLOGIES, INC.**,
Auburn, AL (US)

(**) Term: **15 Years**

(21) Appl. No.: **29/554,806**

(22) Filed: **Feb. 16, 2016**

(51) **LOC (11) Cl.** **09-03**

(52) **U.S. Cl.**
USPC **D9/420**

(58) **Field of Classification Search**
USPC D9/420, 424, 439, 414-419, 449, 428,
D9/425, 543, 529; D7/510, 540, 629,
D7/615; D27/183; D3/273, 294;
D19/73; 206/1.5
CPC A45D 33/02; A24F 15/12
See application file for complete search history.

(56) **References Cited**

U.S. PATENT DOCUMENTS

3,024,899 A * 3/1962 Reitzel A24F 15/12
206/1.5

D221,838 S * 9/1971 Fraser D9/428

D244,246 S * 5/1977 Daenen D7/540

D311,334 S * 10/1990 Flynn D7/629

D380,900 S * 7/1997 Pearson D28/83

D404,917 S * 2/1999 Miller D3/273

D513,978 S * 1/2006 Isono D9/420

D515,927 S * 2/2006 Smay D7/615

D521,372 S * 5/2006 Schneider D9/420

D530,911 S * 10/2006 Guitay D3/273

D539,663 S * 4/2007 Jovetic D9/420

D540,162 S * 4/2007 Chin D9/417

D544,343 S * 6/2007 Liebe D28/78

D544,790 S * 6/2007 Bouveret D9/424

D546,670 S * 7/2007 Sainz D9/420

D546,671 S * 7/2007 Cronin D9/420

D549,119 S * 8/2007 Becker D10/104.1

D550,077 S * 9/2007 Lagreca D9/428

D552,468 S * 10/2007 Seum D9/420

D573,878 S * 7/2008 Rathbone D9/420

D589,342 S * 3/2009 Maslowski D9/428

D606,854 S * 12/2009 Greenhalgh D9/420

D609,009 S * 2/2010 Schaal D3/294

D620,257 S * 7/2010 Fujimura D3/294

D628,469 S * 12/2010 Taylor D9/420

D638,473 S * 5/2011 Zemskov D19/73

D639,858 S * 6/2011 Ras D19/73

D650,268 S * 12/2011 Gibson D9/420

(Continued)

Primary Examiner — Rhea Shields

(74) *Attorney, Agent, or Firm* — David B. Gornish;
Eckert Seamans Cherin & Mellott LLC

(57) **CLAIM**

The ornamental design for a container for storage, as shown and described.

DESCRIPTION

FIG. 1 is an isometric view of a container for storage showing our new design;

FIG. 2 is a front elevation view thereof;

FIG. 3 is a rear elevation view thereof;

FIG. 4 is a left side elevation view thereof;

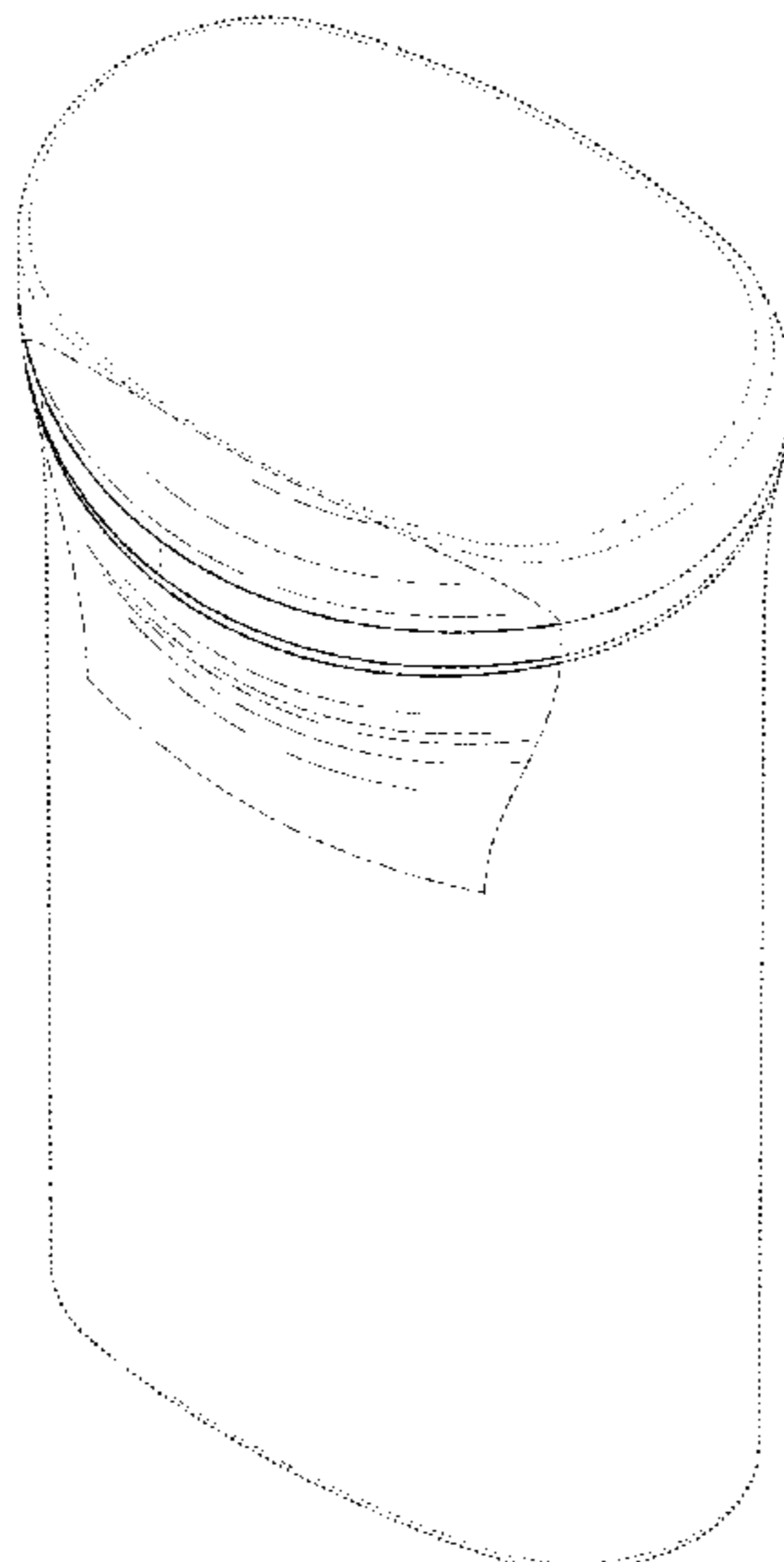
FIG. 5 is a right side elevation view thereof;

FIG. 6 is a top plan view thereof; and,

FIG. 7 is a bottom plan view thereof.

The features shown in broken lines in the drawings depict unclaimed subject matter only and form no part of the claimed design.

1 Claim, 5 Drawing Sheets



(56)

References Cited

U.S. PATENT DOCUMENTS

D682,097	S	*	5/2013	Chiorazzi	D9/439
D684,043	S	*	6/2013	Brown	D9/424
D694,615	S	*	12/2013	Mombelli	D9/414
D708,940	S	*	7/2014	Juna	D9/420
D716,660	S	*	11/2014	Quinones	D9/449
D725,464	S	*	3/2015	Sawicki	D9/420
D726,021	S	*	4/2015	Rathbone	D9/420
D728,362	S	*	5/2015	Kelly	D9/420
9,032,974	B2	*	5/2015	Lee	A45D 33/02 132/295
D731,303	S	*	6/2015	Daggett	D9/420
D732,387	S	*	6/2015	Paton	D9/428
D737,504	S	*	8/2015	Chen	D27/183
D741,704	S	*	10/2015	Bouveret	D9/425
D743,266	S	*	11/2015	Rathbone	D9/529
D743,267	S	*	11/2015	Rathbone	D9/543
D744,328	S	*	12/2015	Ramachandran	D9/420
D744,826	S	*	12/2015	Giraud	D9/420
D749,363	S	*	2/2016	Tacker	D7/510
D749,420	S	*	2/2016	Kahlau	D9/420
D752,970	S	*	4/2016	Giraud	D9/420
D787,317	S	*	5/2017	Dunn	D9/420

* cited by examiner

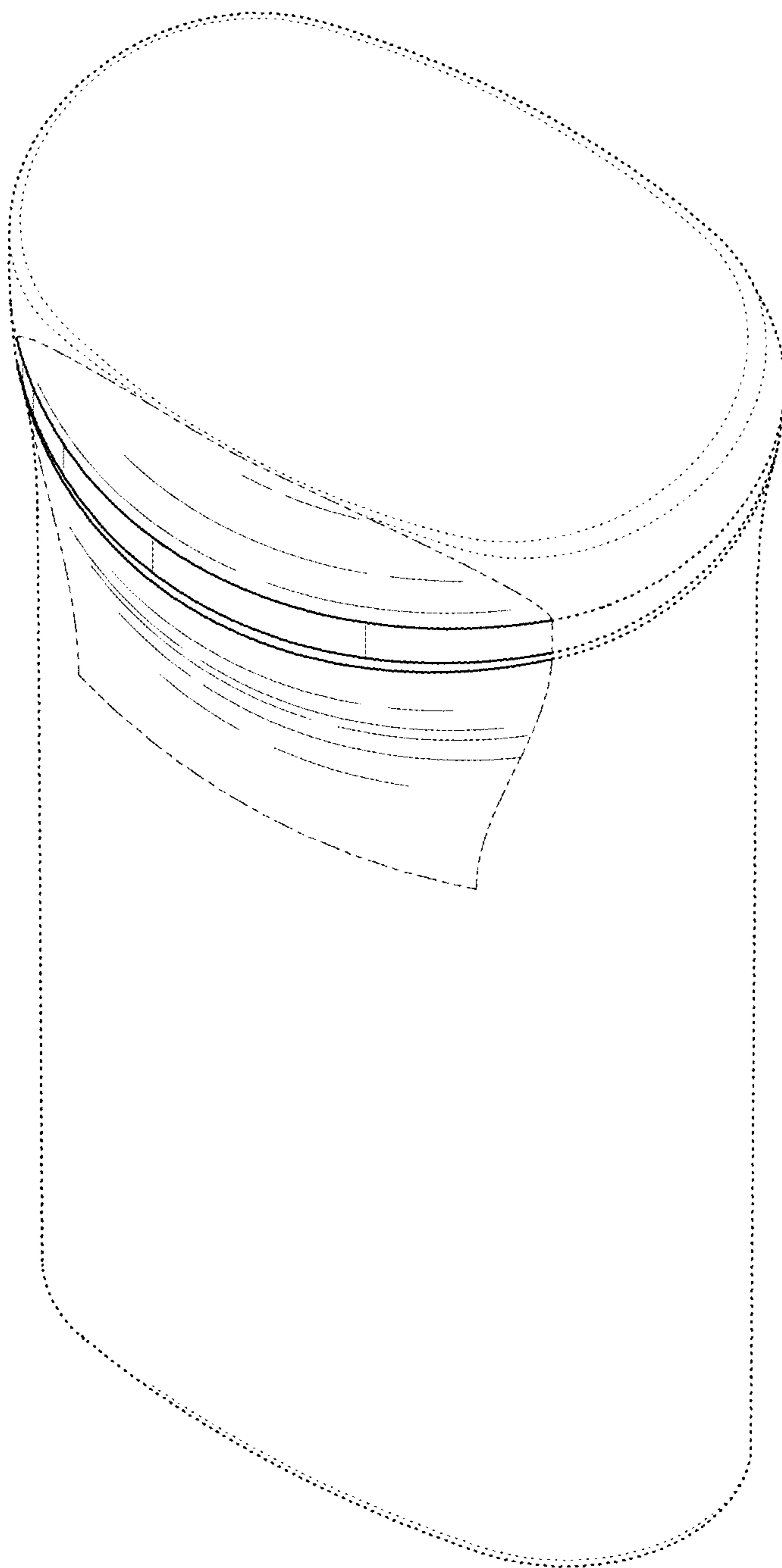


FIG. 1

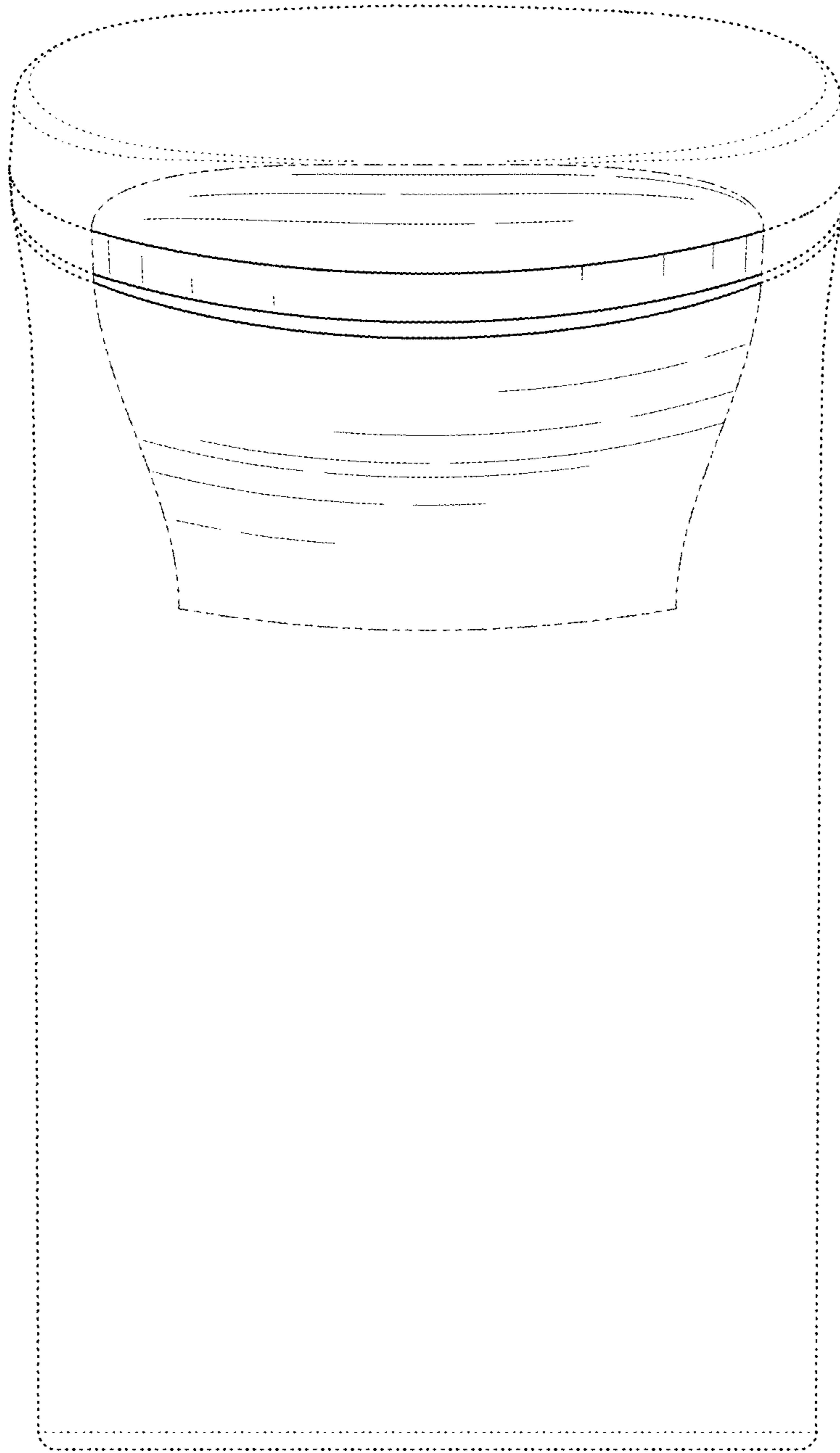


FIG. 2

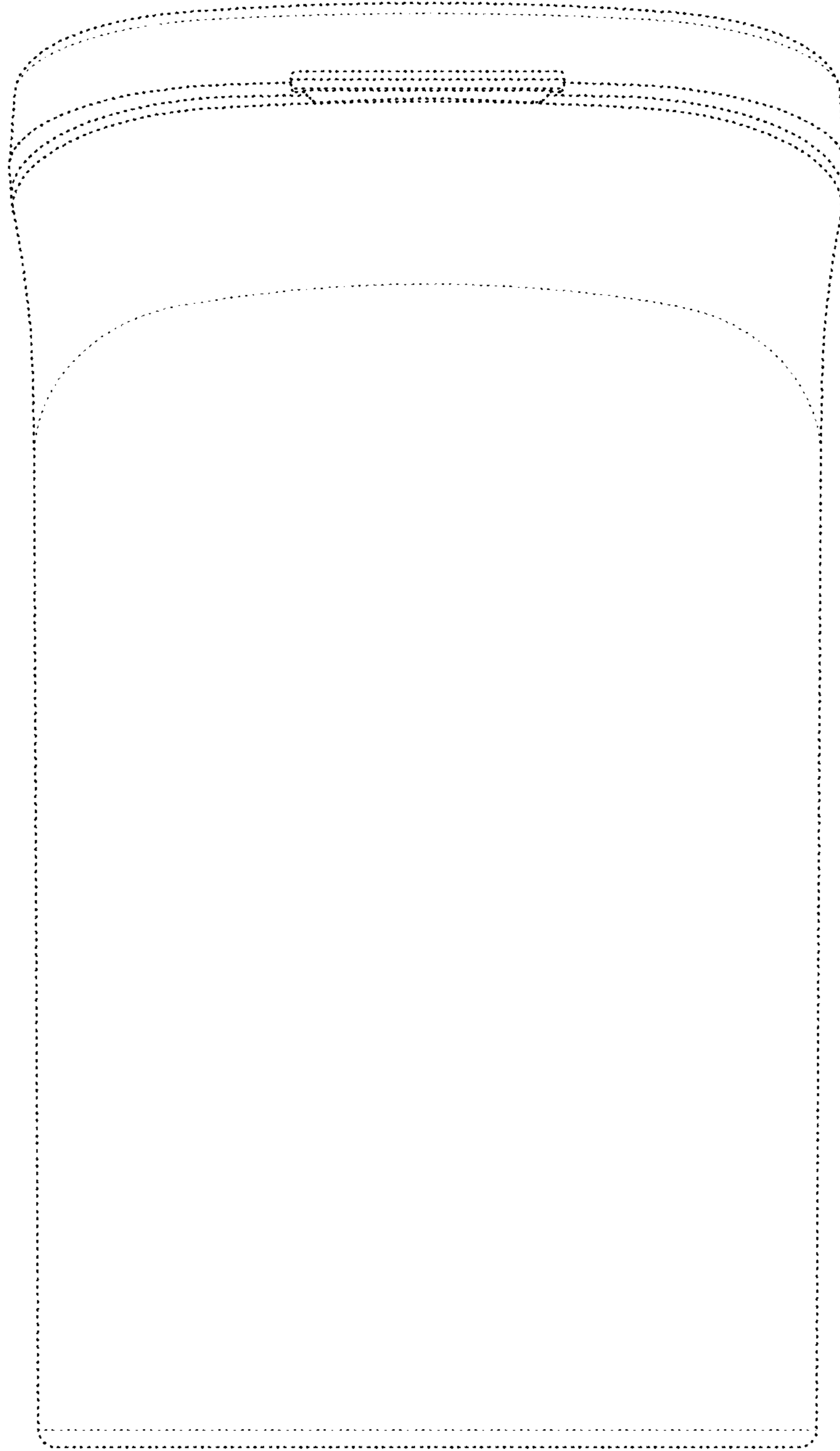


FIG. 3

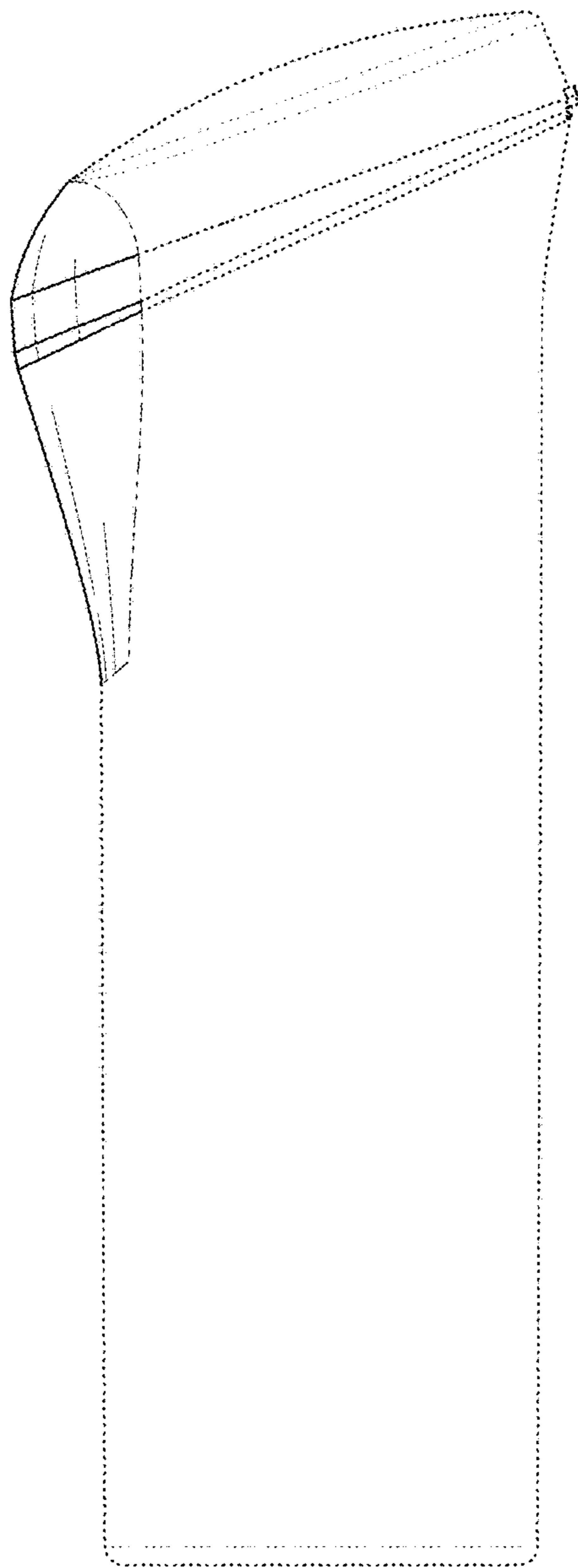


FIG. 4

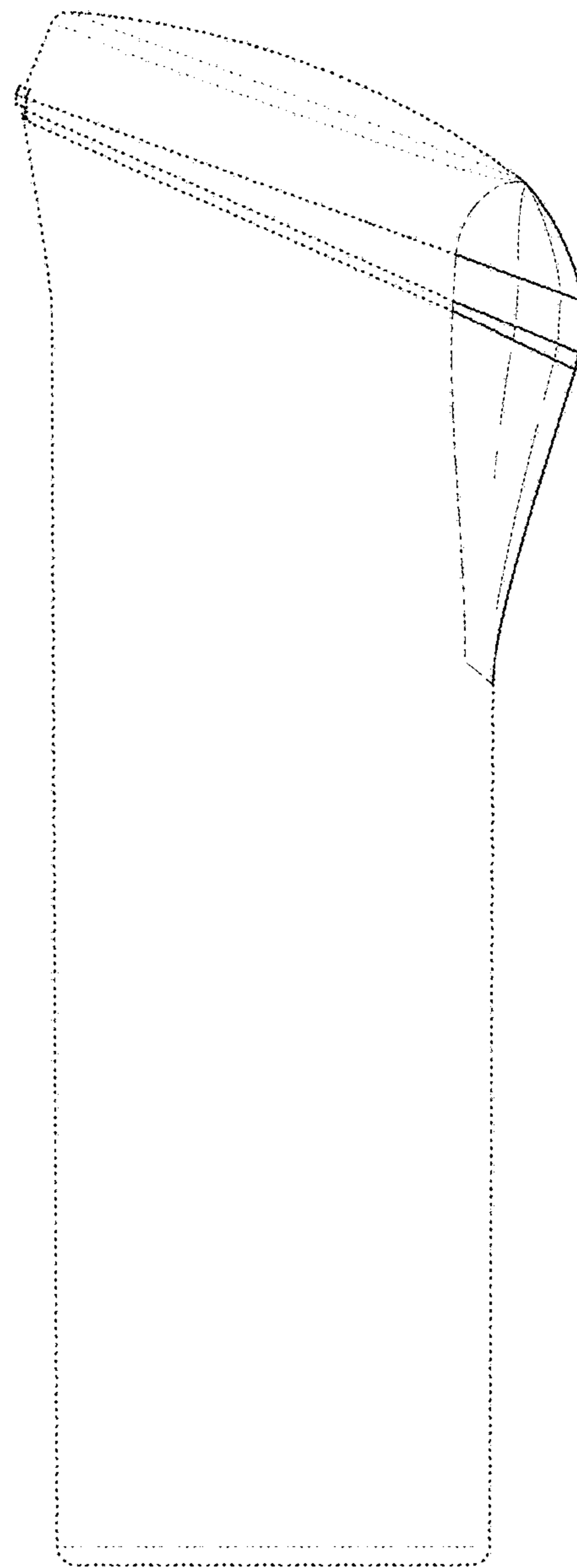


FIG. 5

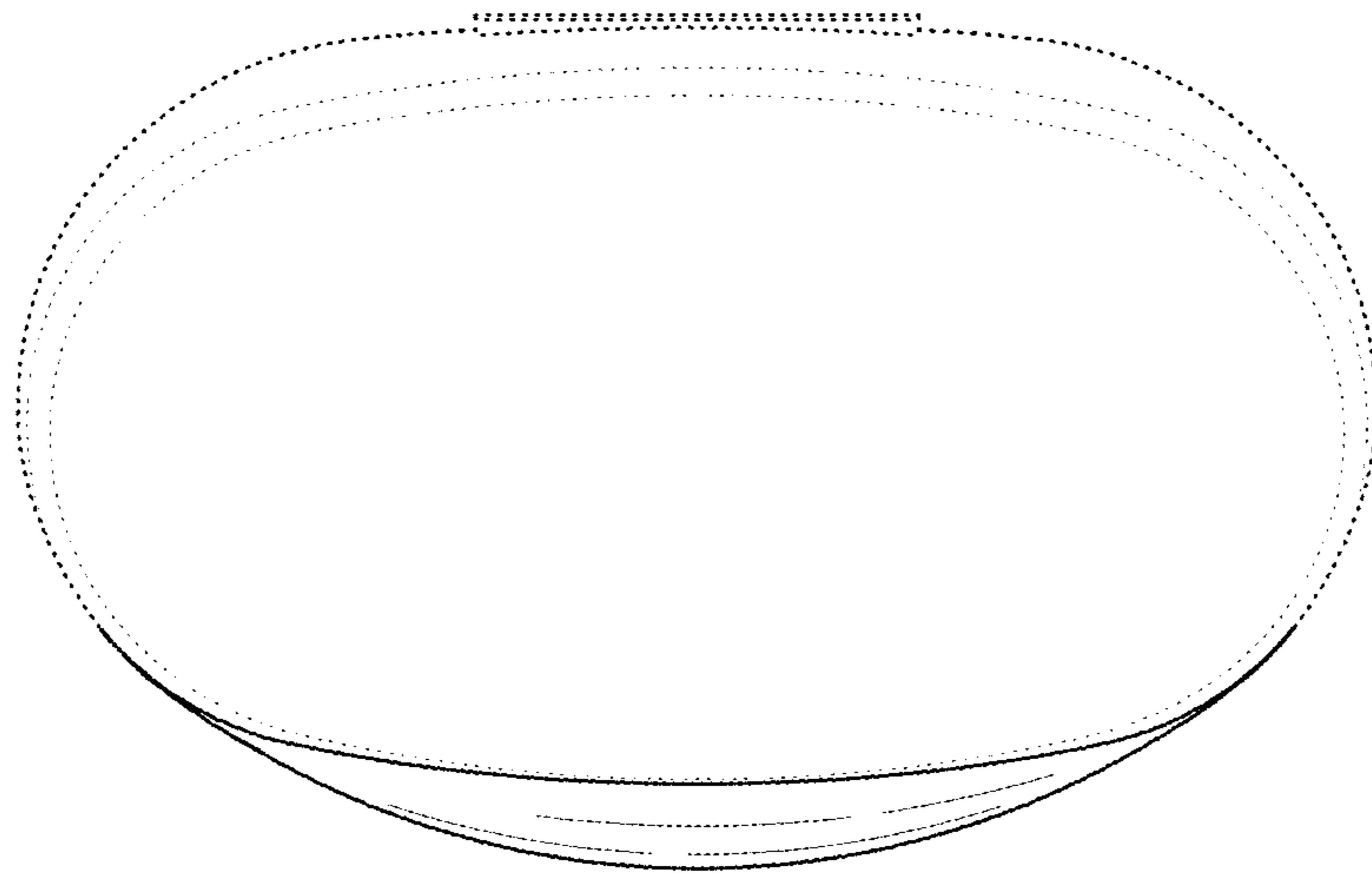


FIG. 6

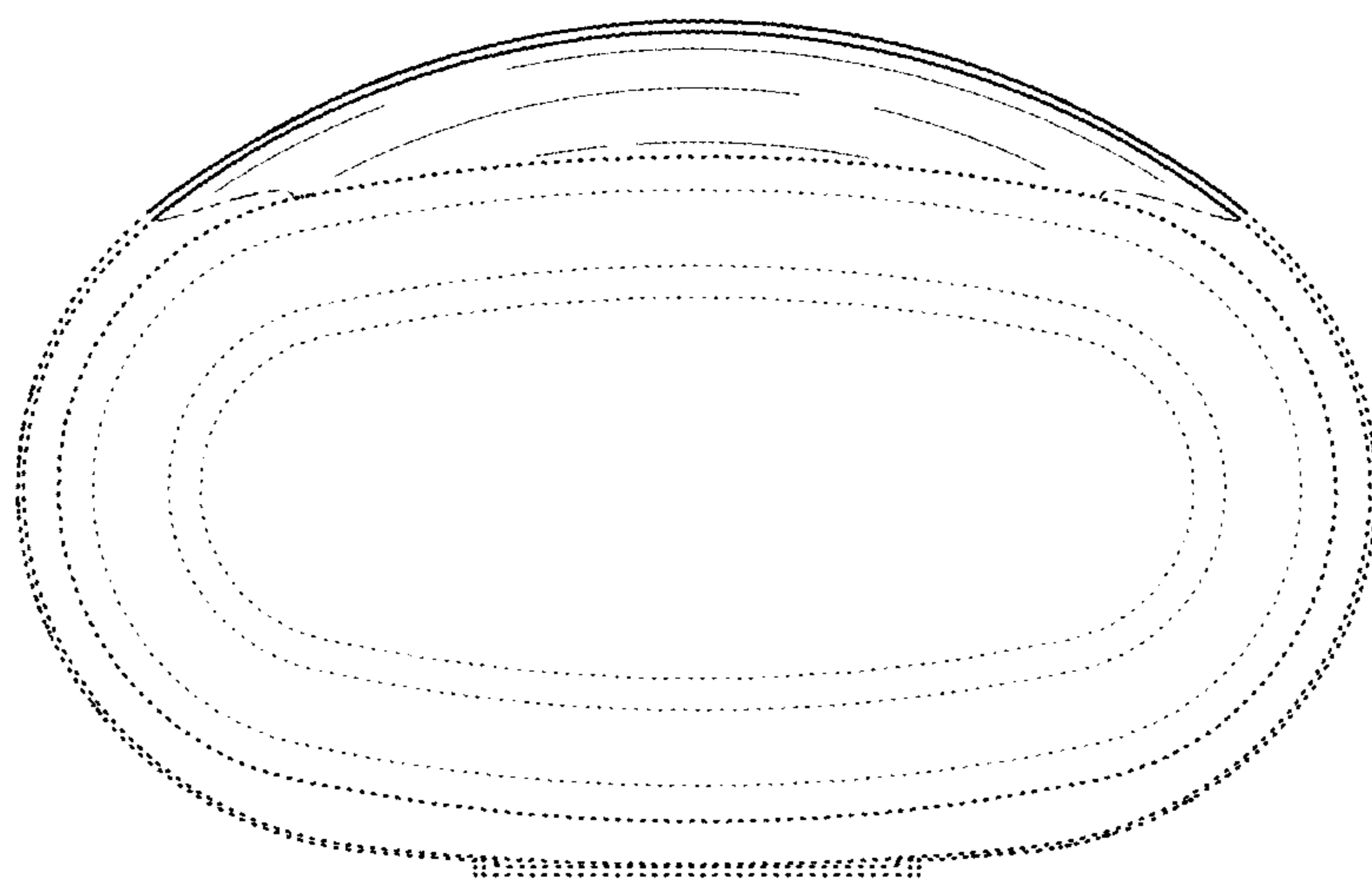


FIG. 7