



US00D807736S

(12) **United States Design Patent**
Adriano

(10) **Patent No.:** **US D807,736 S**
(45) **Date of Patent:** **** Jan. 16, 2018**

- (54) **METAL SCREW**
- (71) Applicant: **Spada Adriano**, Agno (CH)
- (72) Inventor: **Spada Adriano**, Agno (CH)
- (**) Term: **15 Years**
- (21) Appl. No.: **35/501,933**
- (22) Filed: **Oct. 13, 2016**
- (80) **Hague Agreement Data**
 Int. Filing Date: **Oct. 13, 2016**
 Int. Reg. No.: **DM/093370**
 Int. Reg. Date: **Oct. 13, 2016**
 Int. Reg. Pub. Date: **Nov. 18, 2016**
- (51) **LOC (11) Cl.** **08-08**
- (52) **U.S. Cl.**
USPC **D8/387**
- (58) **Field of Classification Search**
USPC D8/387, 349, 355, 354, 382, 385, 388,
D8/391, 393, 397, 399, 499
CPC F16B 23/00; F16B 23/003; F16B 23/0038;
F16B 23/0046; F16B 23/0069; F16B
23/0007; F16B 23/0061; F16B 25/0015;
F16B 25/0021; F16B 25/0026; F16B
25/0031; F16B 25/0084; F16B 25/0036;
F16B 33/00; F16B 33/02; F16B 35/007;
F16B 39/30; Y10S 411/91
See application file for complete search history.
- (56) **References Cited**
U.S. PATENT DOCUMENTS
3,656,397 A * 4/1972 Kudelko F16B 23/003
411/408
D242,118 S * 11/1976 Ono D8/387
D242,323 S * 11/1976 Ono D8/387

D245,147 S *	7/1977	Ono	D8/387
D310,956 S *	10/1990	Huska	D8/387
D322,928 S *	1/1992	Snodell	D8/387
D360,575 S *	7/1995	Saito	D8/387
D390,451 S *	2/1998	Dominguez	D8/387
D397,030 S *	8/1998	Lawson	D8/387
D415,016 S *	10/1999	Murguia	D8/387
D482,267 S *	11/2003	Lee	D8/387
D482,957 S *	12/2003	Lajeunesse	D8/387
D499,010 S *	11/2004	Velten	D8/387
D535,871 S *	1/2007	Toms	D8/387
D545,404 S *	6/2007	Nightlinger	D23/260
D545,405 S *	6/2007	Nightlinger	D23/260
D552,977 S *	10/2007	He	D8/387
D584,137 S *	1/2009	Edge, Jr.	D8/387
D622,582 S *	8/2010	Lottner	D8/387
D643,279 S *	8/2011	Crane	D8/387
D722,489 S *	2/2015	Yamazaki	D8/387
D726,531 S *	4/2015	Muzic	D8/387
D737,674 S *	9/2015	Tobaruela	D8/387
D760,582 S *	7/2016	Muzic	D8/387
D764,267 S *	8/2016	Hutter, III	D8/387
D793,850 S *	8/2017	Zhang	D8/387

* cited by examiner

Primary Examiner — Darlington Ly

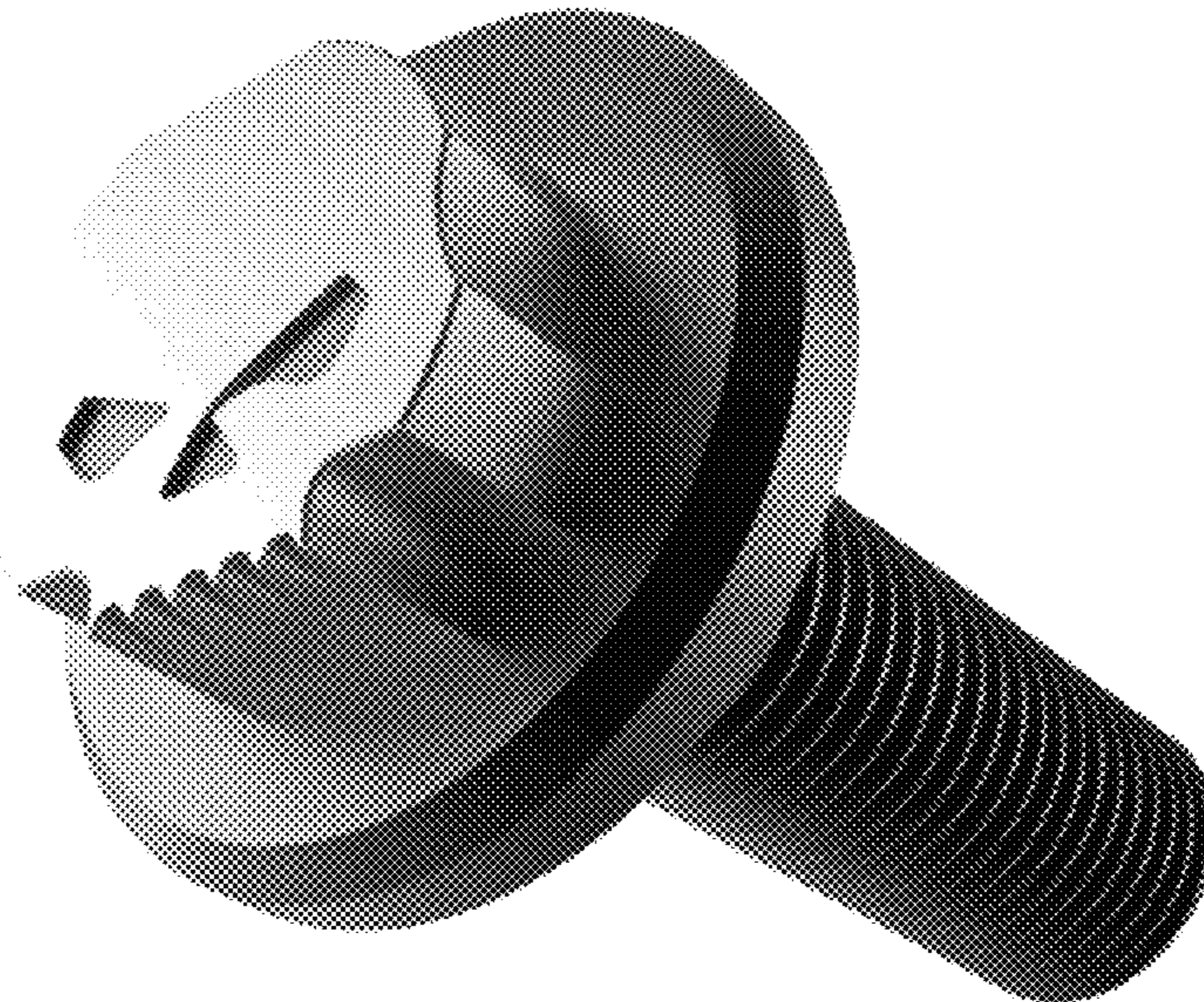
(57) **CLAIM**

The ornamental design for a metal screw, as shown and described.

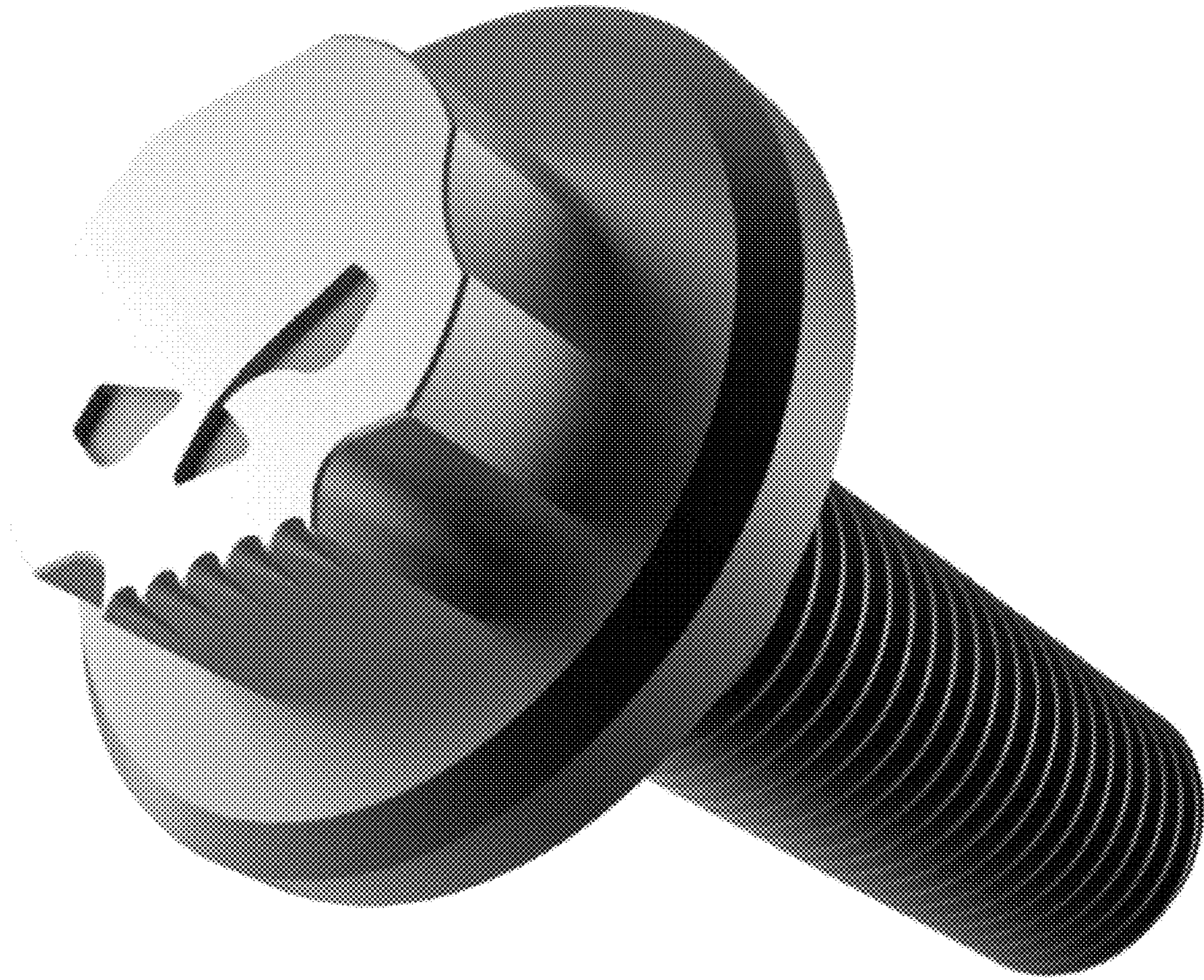
DESCRIPTION

- 1.-2. Metal screw
- 1.1 is a front perspective view of a metal screw showing my new design in accordance to a first embodiment;
- 1.2 is a top plan view thereof;
- 1.3 is a front elevational view thereof;
- 2.1 is a front perspective view of a metal screw showing my new design in accordance to an alternate embodiment;
- 2.2 is a front elevational view thereof;
- 2.3 is a top plan view thereof.

1 Claim, 6 Drawing Sheets



1.1



1.2



1.3



2.1



2.2



2.3

