



US00D807735S

(12) **United States Design Patent**
Nimgulkar et al.

(10) **Patent No.:** **US D807,735 S**
(45) **Date of Patent:** **** Jan. 16, 2018**

(54) **BASKET HOLDER**
(71) Applicant: **CLAIRSON, INC.**, Newark, DE (US)
(72) Inventors: **Milind Sahebrao Nimgulkar**, Pune, IN (US); **Gajanan Ramkishan Muttepawar**, Pune, IN (US); **Harishchandra Namdeo Dahatonde**, Pune, IN (US)
(73) Assignee: **Clairson, Inc.**, Newark, DE (US)
(**) Term: **15 Years**

6,679,392 B1 1/2004 Costa
7,047,601 B1 * 5/2006 Vernon-Woods A45F 5/02
24/3.12
D584,939 S * 1/2009 Snell D8/367
D629,673 S * 12/2010 Shaha D8/367
8,028,844 B2 10/2011 Costa et al.
8,695,913 B2 * 4/2014 Cheng H01R 13/60
242/388
8,960,584 B1 * 2/2015 Fearon B65H 75/285
242/400.1
D745,377 S * 12/2015 Ressler D8/367
D746,127 S * 12/2015 Cohen D8/367
D764,901 S * 8/2016 Esparza D8/367
D774,383 S * 12/2016 Kennedy D8/358
(Continued)

(21) Appl. No.: **29/576,481**
(22) Filed: **Sep. 2, 2016**

Primary Examiner — Cynthia Underwood
(74) *Attorney, Agent, or Firm* — Harness, Dickey & Pierce, P.L.C.

Related U.S. Application Data

(63) Continuation-in-part of application No. 15/131,323, filed on Apr. 18, 2016, now Pat. No. 9,596,931.

Foreign Application Priority Data

Mar. 4, 2016 (IN) 201621007648

(51) **LOC (11) Cl.** **08-05**

(52) **U.S. Cl.**
USPC **D8/367**

(58) **Field of Classification Search**
USPC D8/367, 354, 349, 394, 372, 358;
D3/228; 224/247, 197
CPC F16L 3/13; F16L 3/26; A47G 23/0225;
A47G 25/06; A47G 1/16; A47F 5/0846;
A47F 5/02; H02G 11/003; D06F 5/00;
E04H 17/10; A45F 5/02
See application file for complete search history.

References Cited

U.S. PATENT DOCUMENTS

6,164,582 A * 12/2000 Vara B65H 75/42
191/12.2 R
6,491,173 B1 12/2002 Costa

(57) **CLAIM**

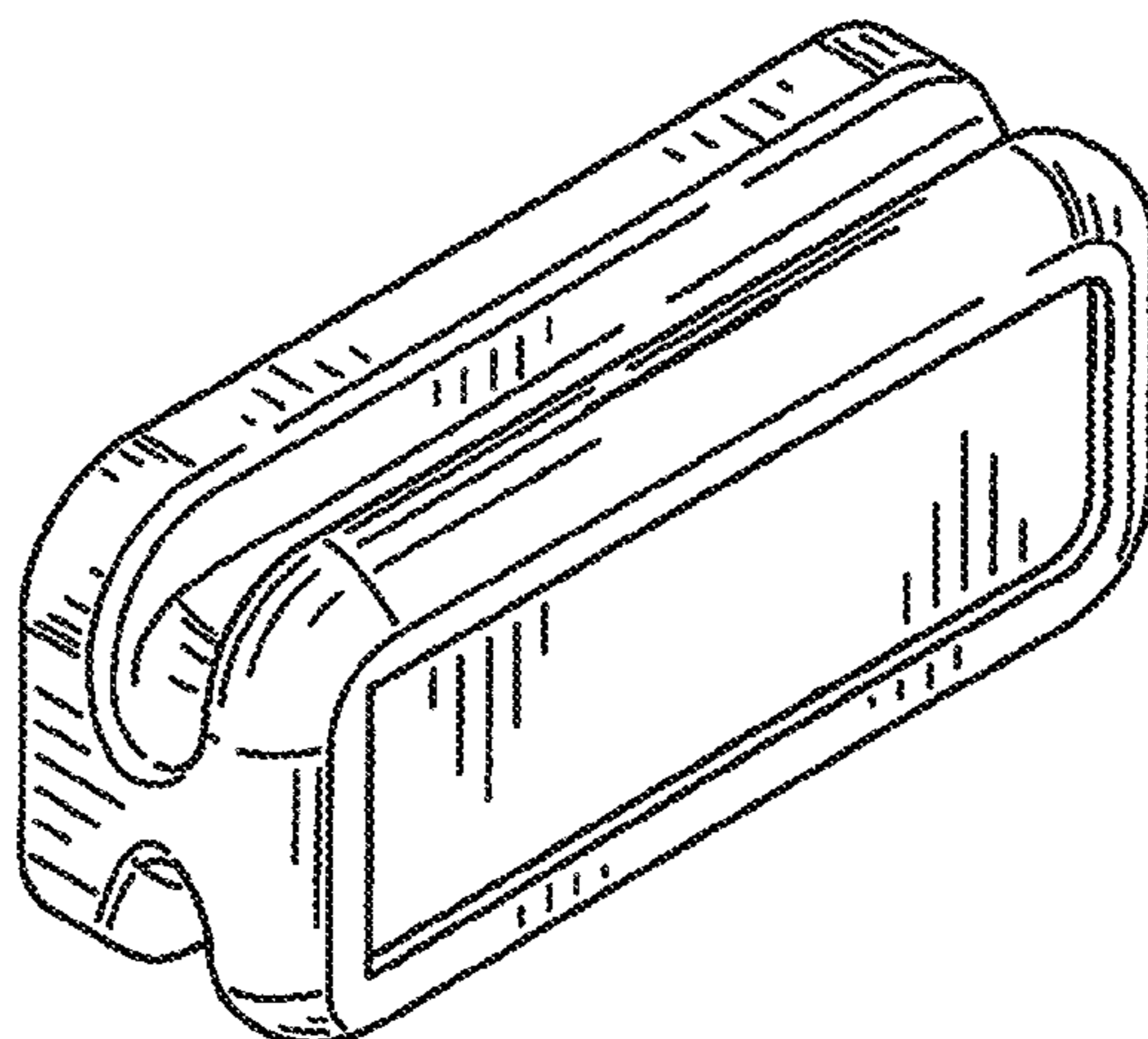
The ornamental design for a basket holder, as shown and described.

DESCRIPTION

FIG. 1 is a perspective view of a basket holder showing our new design;
FIG. 2 is a back perspective view of the basket holder;
FIG. 3 is a side view of the basket holder;
FIG. 4 is a perspective view of a second embodiment of a basket holder showing our new design; and,
FIG. 5 is a back perspective view of the basket holder shown in FIG. 4.

The broken lines in the figures depict portions of the basket holder and environment that form no part of the claimed designs with respect to those embodiments. The views of the basket holder that are not shown for an embodiment form no part of the claimed design with respect to that embodiment.

1 Claim, 2 Drawing Sheets



(56)

References Cited

U.S. PATENT DOCUMENTS

D778,712 S * 2/2017 Kennedy D8/358
D794,430 S * 8/2017 Brandenburg D8/367
2013/0140394 A1* 6/2013 Cheng B65H 75/4473
242/400.1

* cited by examiner

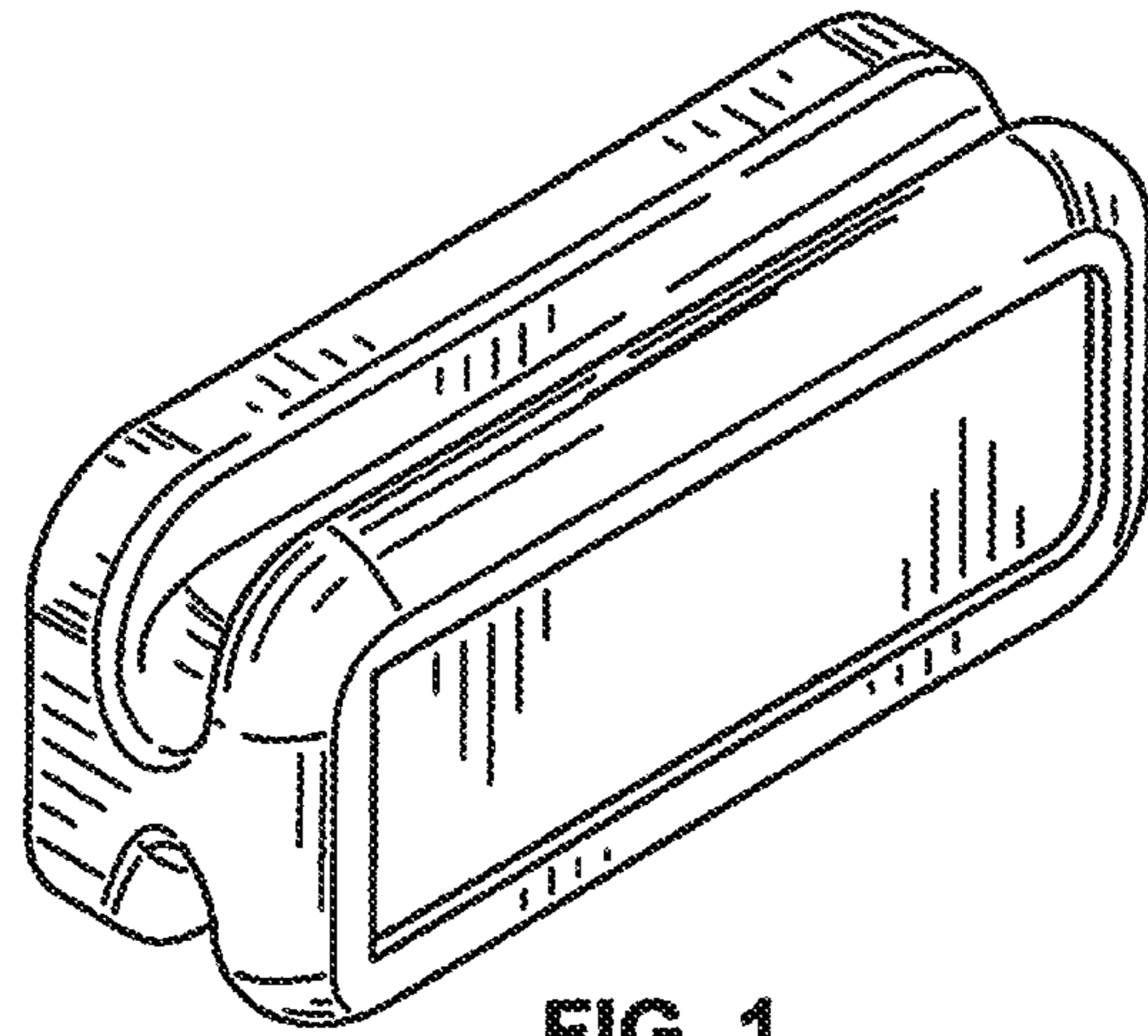


FIG. 1

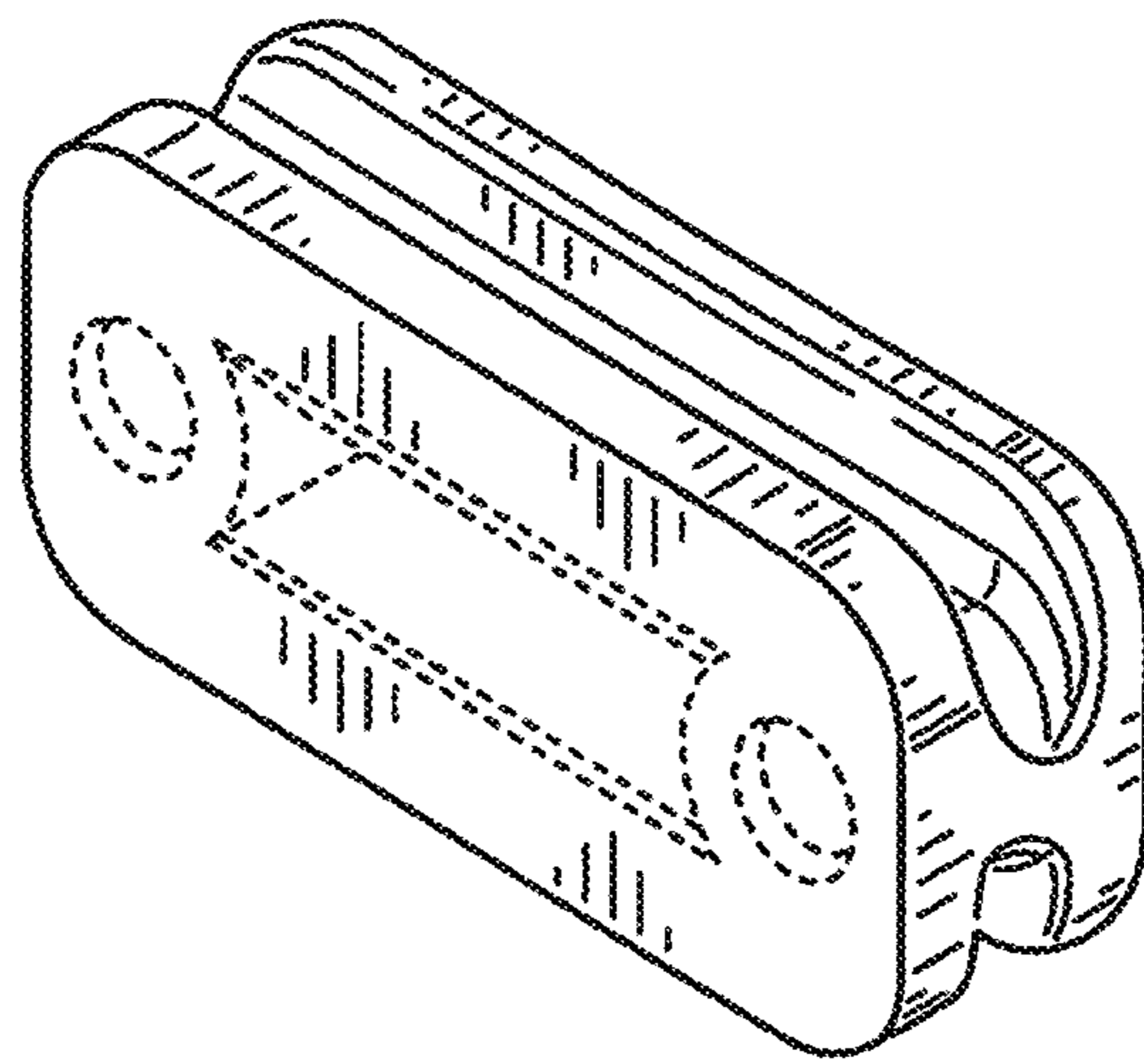


FIG. 2

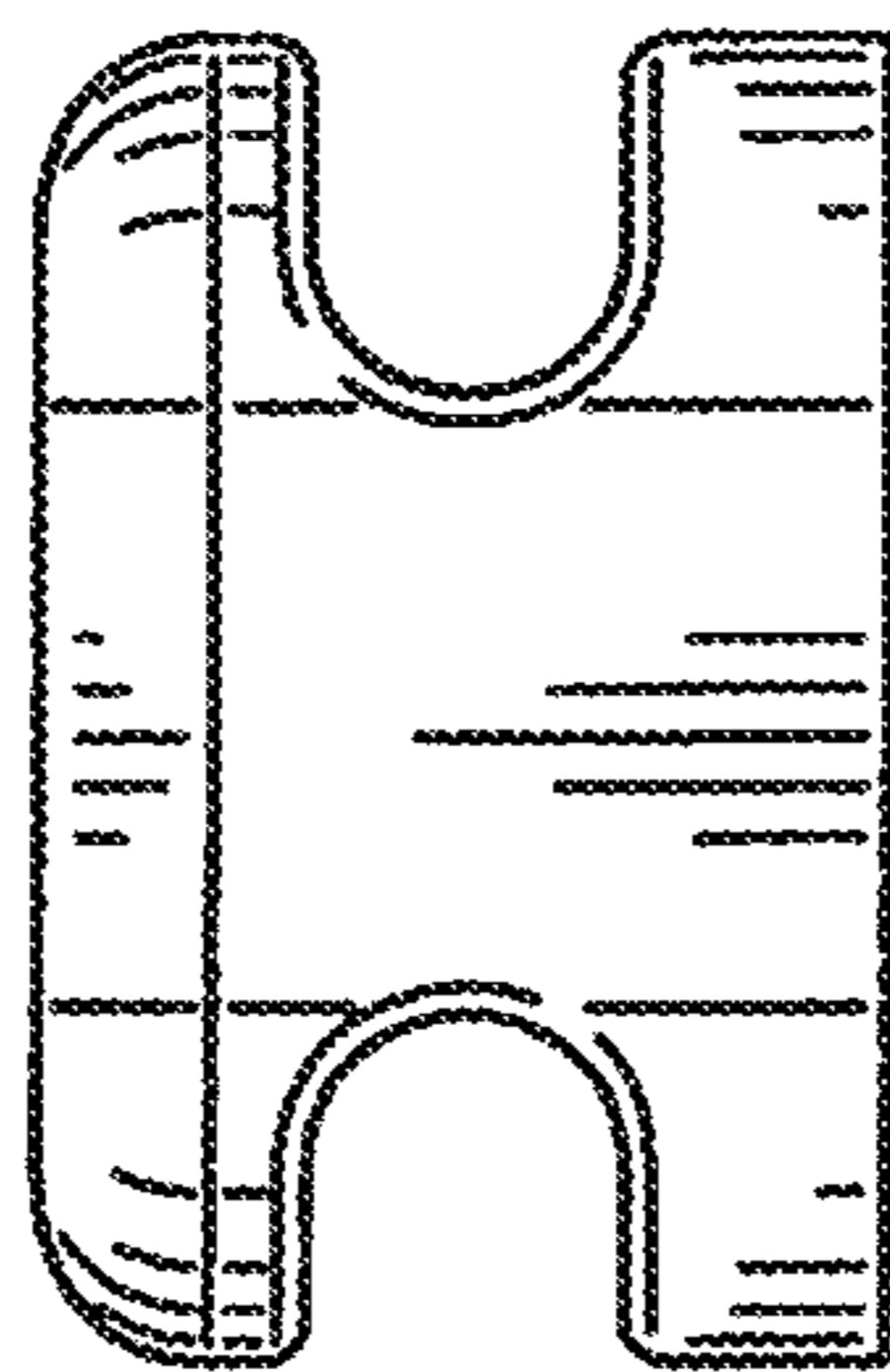


FIG. 3

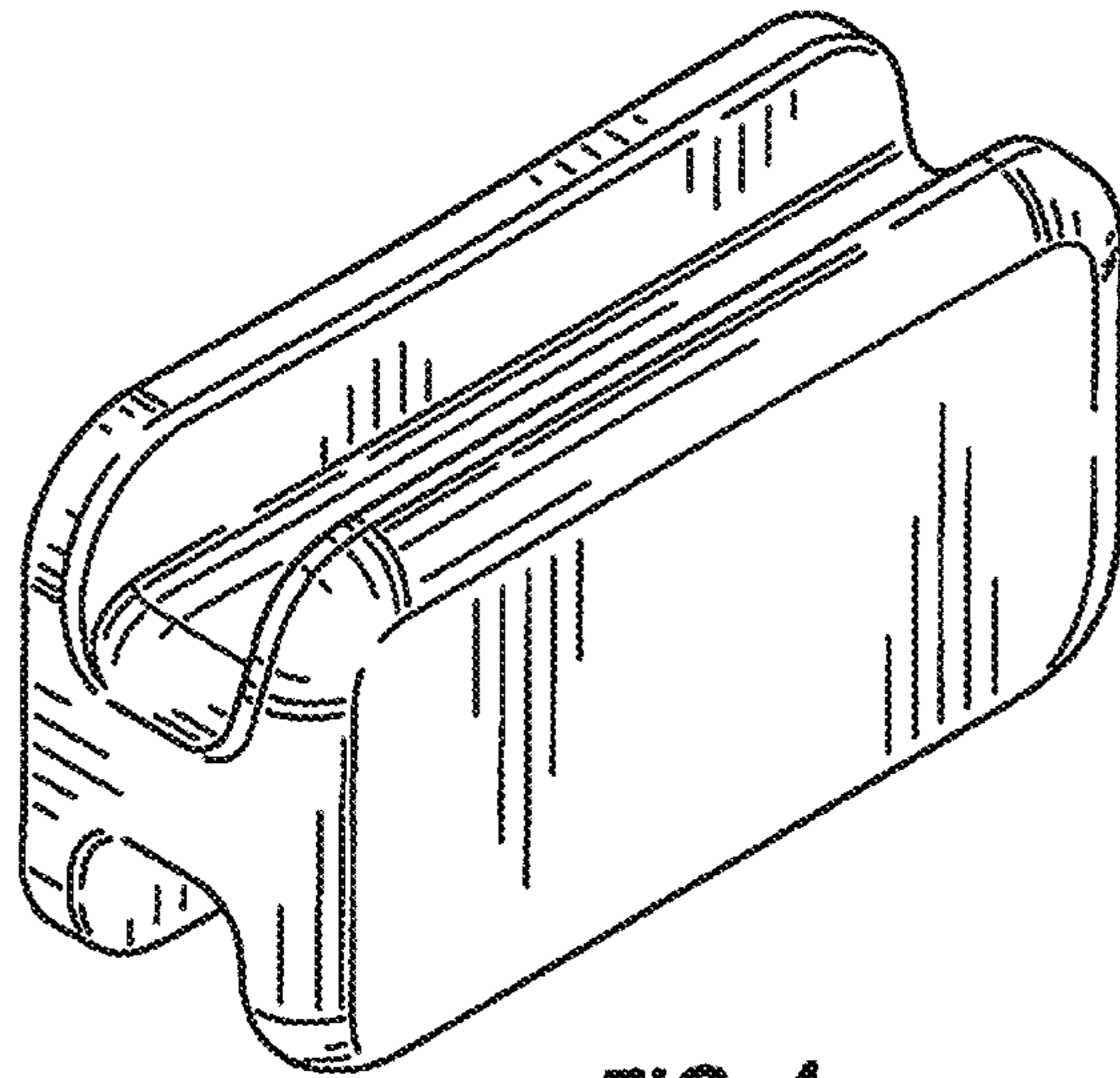


FIG. 4

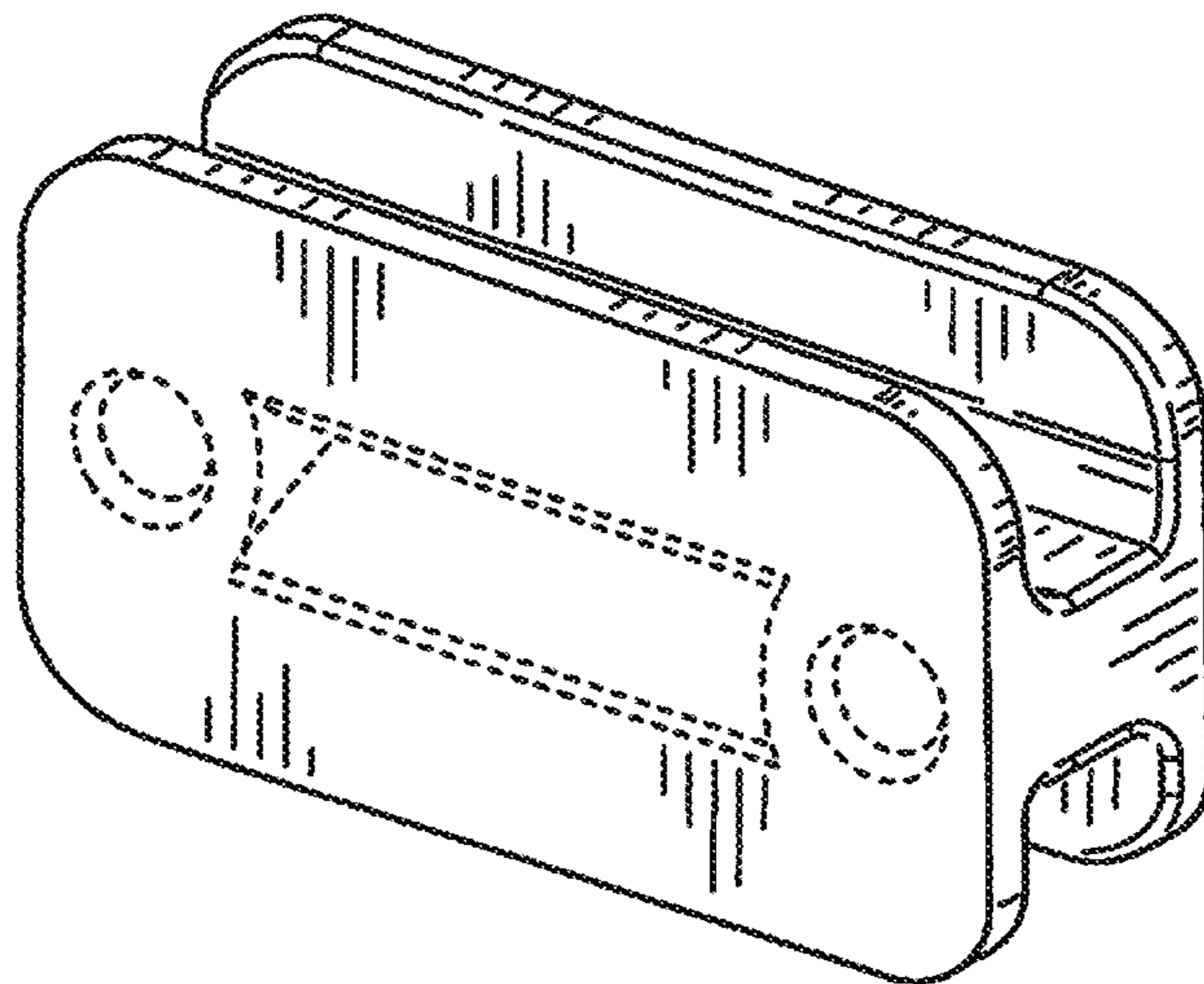


FIG. 5