

US00D807734S

(12) **United States Design Patent**
Gobbi

(10) **Patent No.:** **US D807,734 S**
(45) **Date of Patent:** **** Jan. 16, 2018**

(54) **MOUNTAIN SPORTS EQUIPMENT**

(71) Applicant: **GRIVEL S.r.l.**, Courmayeur (IT)

(72) Inventor: **Gioachino Gobbi**, Courmayeur (IT)

(73) Assignee: **GRIVEL S.r.l.**, Courmayeur (IT)

(**) Term: **15 Years**

(21) Appl. No.: **29/591,894**

(22) Filed: **Jan. 25, 2017**

Related U.S. Application Data

(62) Division of application No. 29/535,012, filed on Aug. 3, 2015, now Pat. No. Des. 779,925.

(30) **Foreign Application Priority Data**

Feb. 4, 2015 (EM) 002626960

(51) **LOC (11) Cl.** **09-06**

(52) **U.S. Cl.**
USPC **D8/356**

(58) **Field of Classification Search**
USPC D8/356, 354, 349

(Continued)

(56) **References Cited**

U.S. PATENT DOCUMENTS

D470,393 S * 2/2003 Kelleghan D8/356
D528,238 S * 9/2006 Kramer D26/38

(Continued)

Primary Examiner — Cynthia Underwood

(74) *Attorney, Agent, or Firm* — McCarter & English, LLP

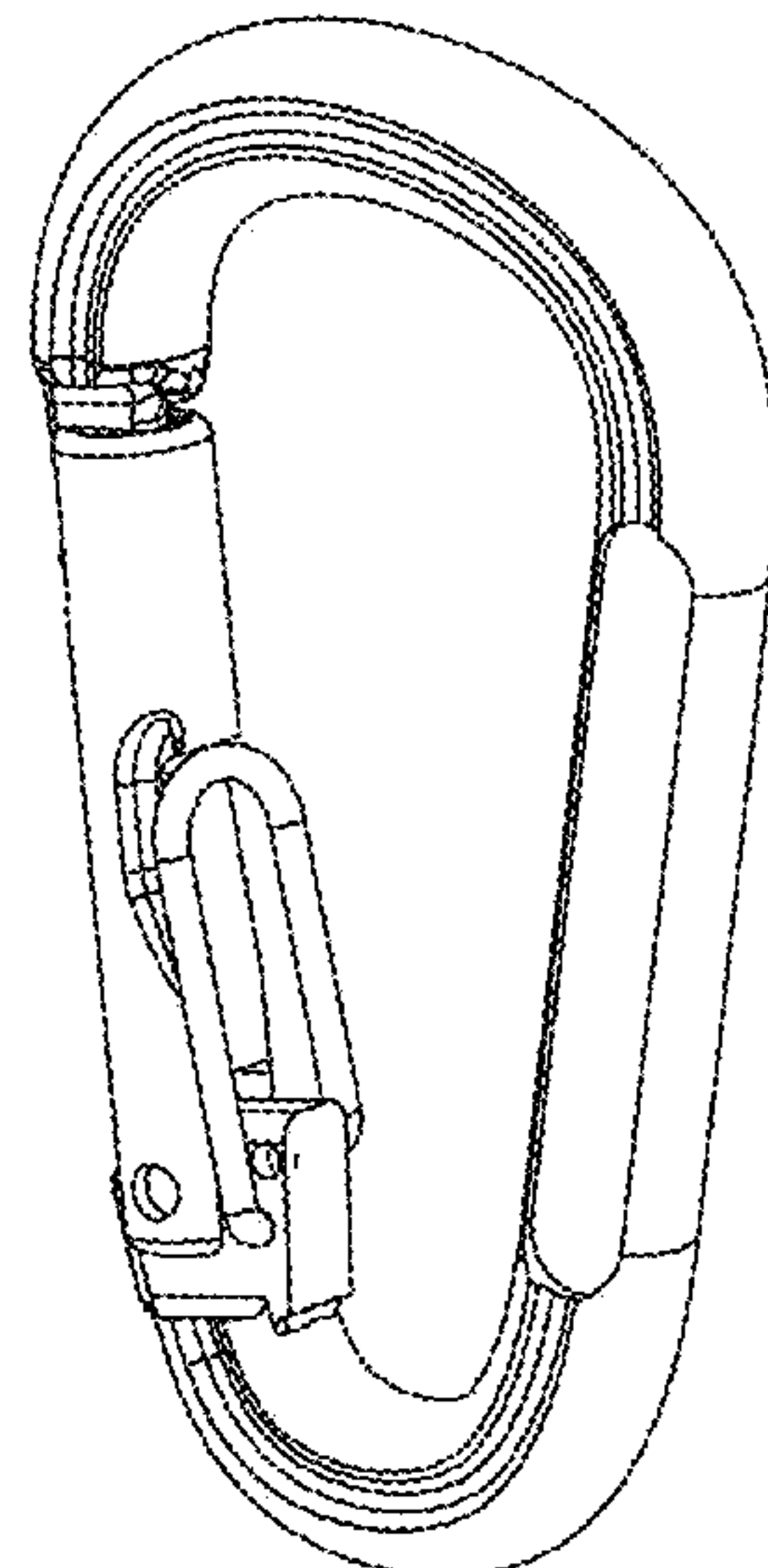
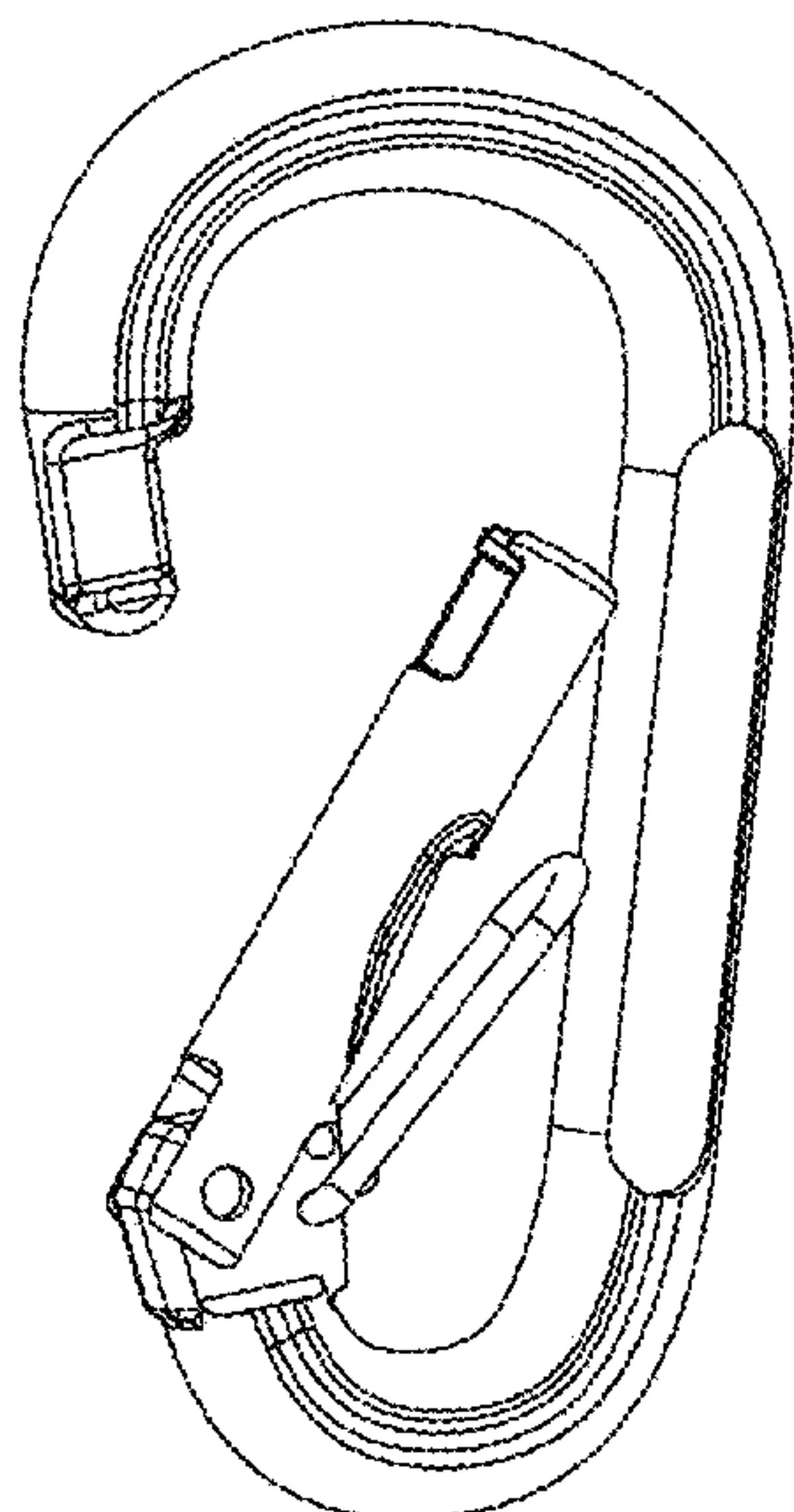
(57) **CLAIM**

The ornamental design for mountain sports equipment, as shown and described.

DESCRIPTION

FIG. 1 is a first perspective view of mountain sports equipment in an open position according to the present invention. FIG. 2 is a first lateral view of mountain sports equipment in an open position according to the present invention. FIG. 3 is a second lateral view of mountain sports equipment in an open position according to the present invention. FIG. 4 is a front view of mountain sports equipment in an open position according to the present invention. FIG. 5 is a back view of mountain sports equipment in an open position according to the present invention. FIG. 6 is a top view of mountain sports equipment in an open position according to the present invention. FIG. 7 is a bottom view of mountain sports equipment in an open position according to the present invention. FIG. 8 is a first perspective view of the mountain sports equipment of FIGS. 1-7 in a closed position according to the present invention. FIG. 9 is a first lateral view of the mountain sports equipment of FIGS. 1-7 in a closed position according to the present invention. FIG. 10 is a second lateral view of the mountain sports equipment of FIGS. 1-7 in a closed position according to the present invention. FIG. 11 is a front view of the mountain sports equipment of FIGS. 1-7 in a closed position according to the present invention. FIG. 12 is a back view of the mountain sports equipment of FIGS. 1-7 in a closed position according to the present invention. FIG. 13 is a top view of the mountain sports equipment of FIGS. 1-7 in a closed position according to the present invention; and, FIG. 14 is a bottom view of the mountain sports equipment of FIGS. 1-7 in a closed position according to the present invention.

1 Claim, 14 Drawing Sheets



(58) **Field of Classification Search**

CPC .. B60T 3/00; H02G 3/045; F16B 2/00; A63B
27/00

See application file for complete search history.

(56) **References Cited**

U.S. PATENT DOCUMENTS

D548,061 S *	8/2007	Hu	D8/370
D564,341 S *	3/2008	Kelleghan	D8/356
D614,017 S *	4/2010	Bender	D8/356
D669,764 S *	10/2012	Kelleghan	D8/356
D684,452 S *	6/2013	Petzl	D8/356
D716,639 S *	11/2014	Kelleghan	D8/356
D735,559 S *	8/2015	Liang	D8/356
D746,662 S *	1/2016	Kelleghan	D8/356
D785,316 S *	5/2017	Grossman	D3/208
D785,317 S *	5/2017	Grossman	D3/208

* cited by examiner

FIG. 1

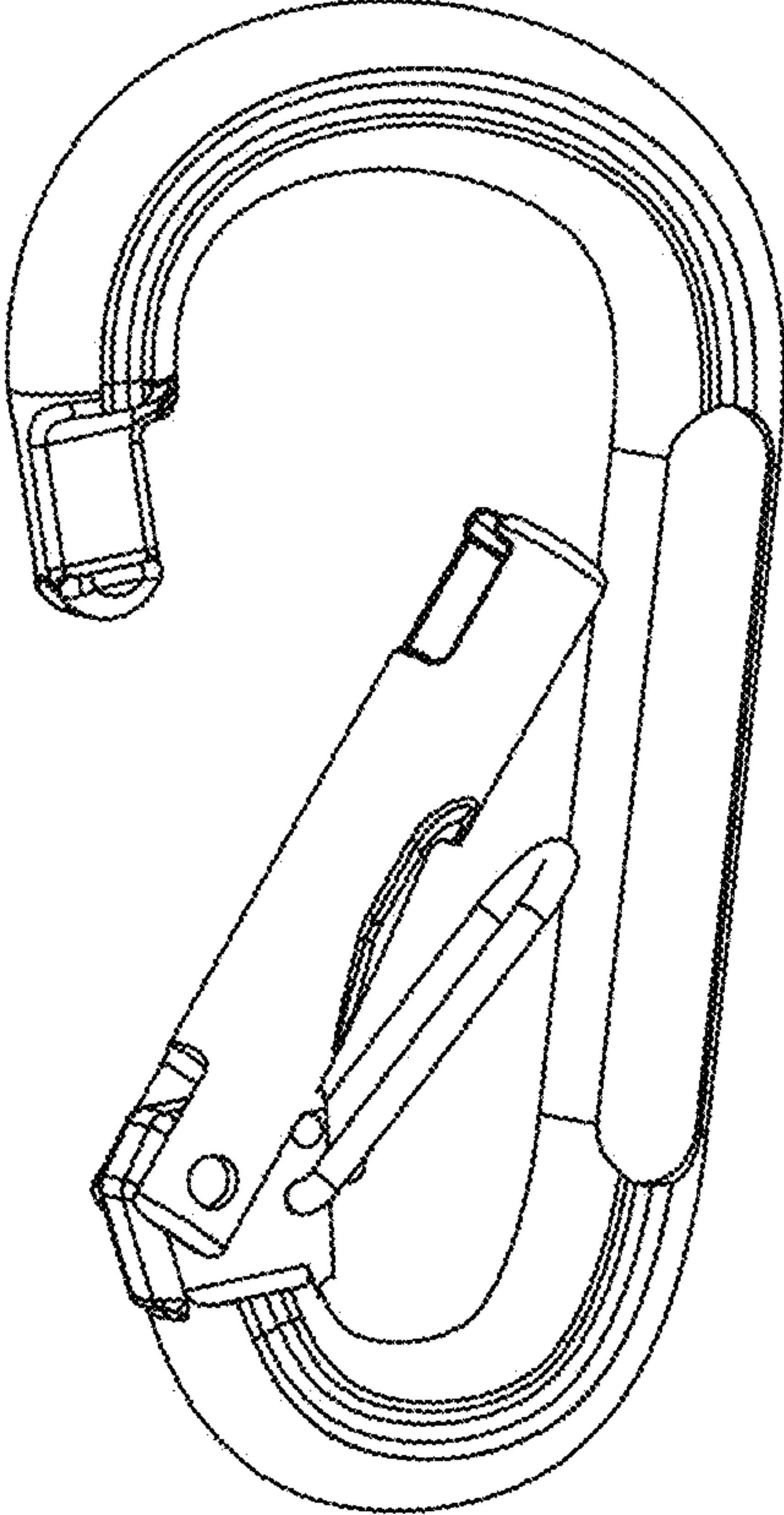


FIG. 2

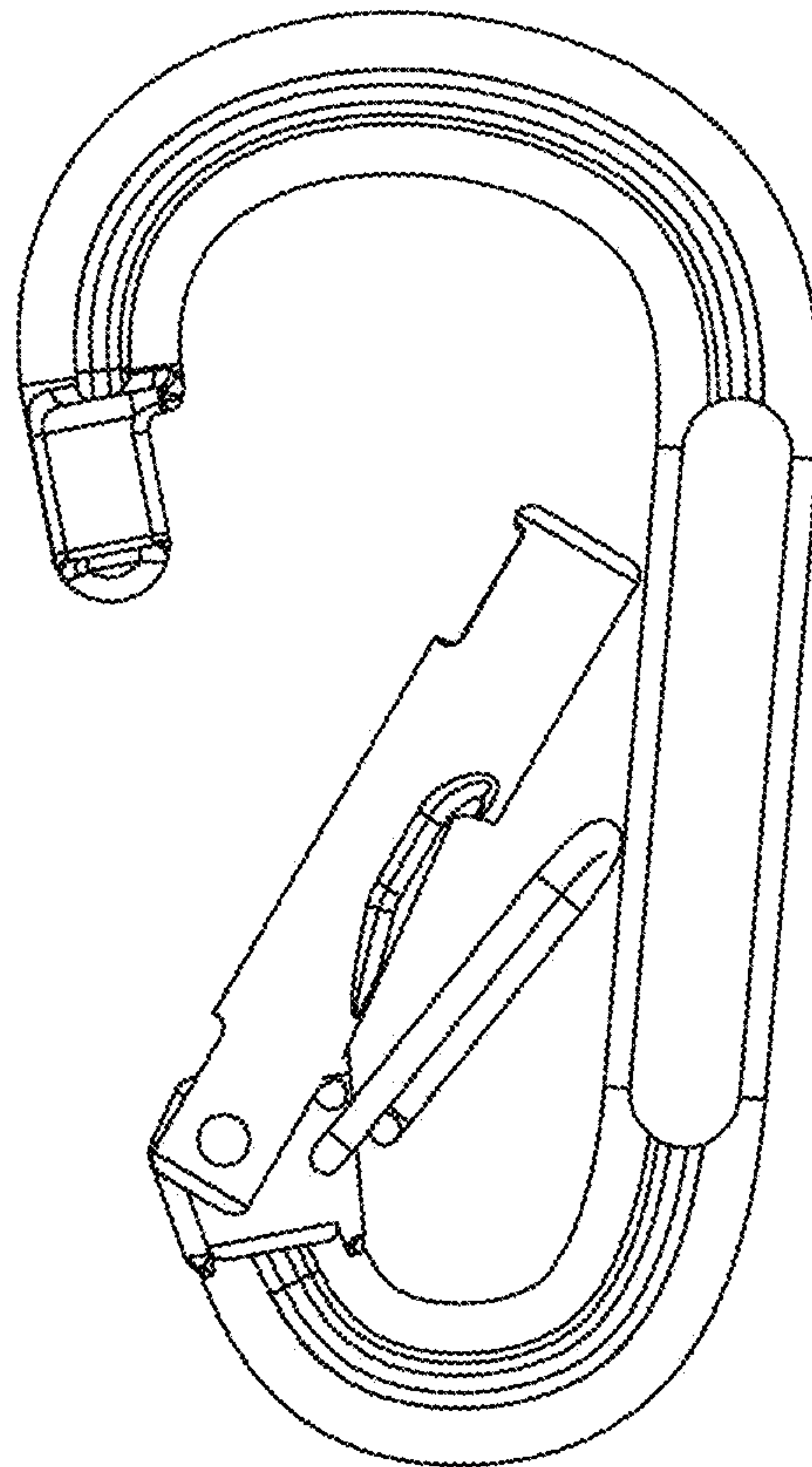


FIG. 3

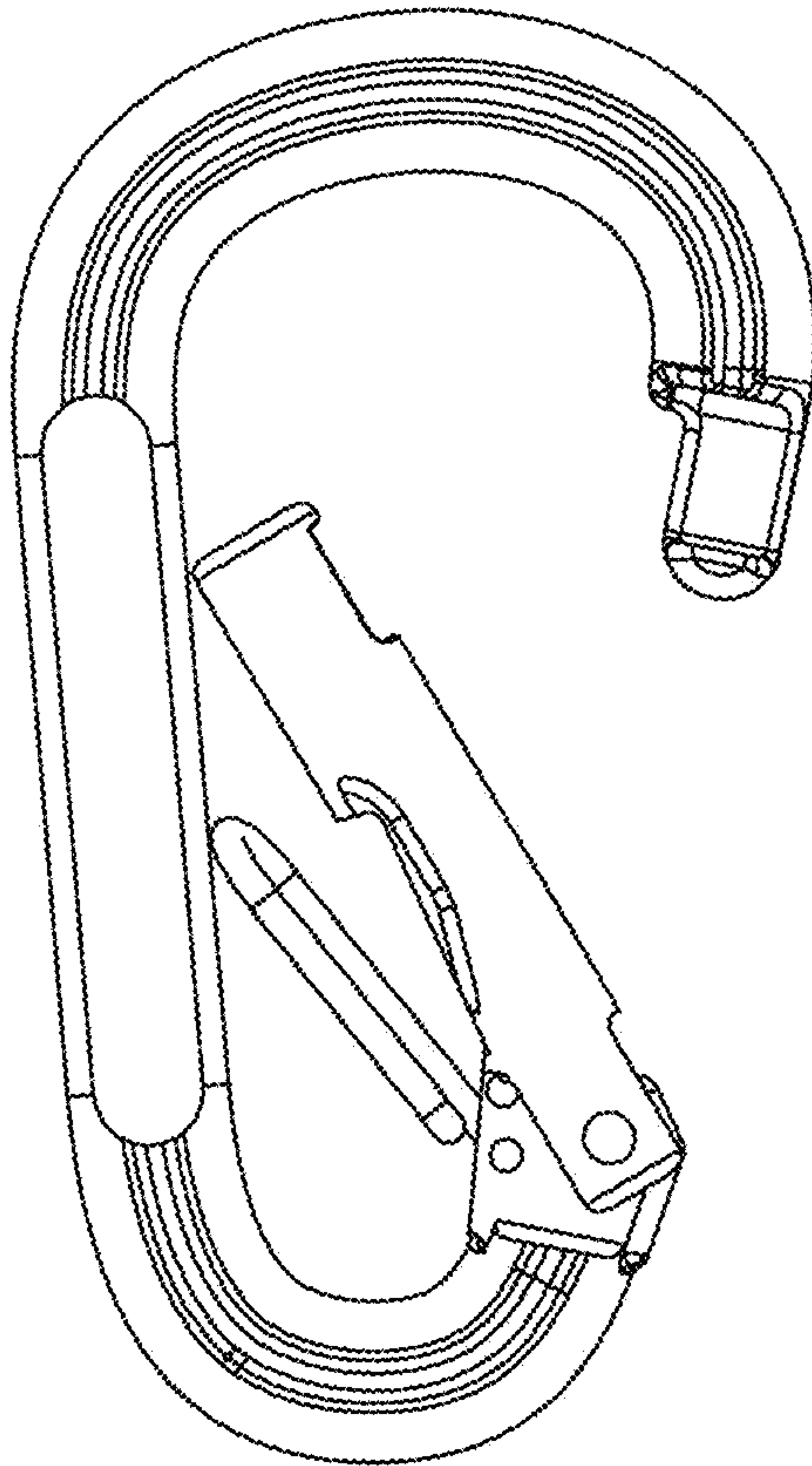


FIG. 4

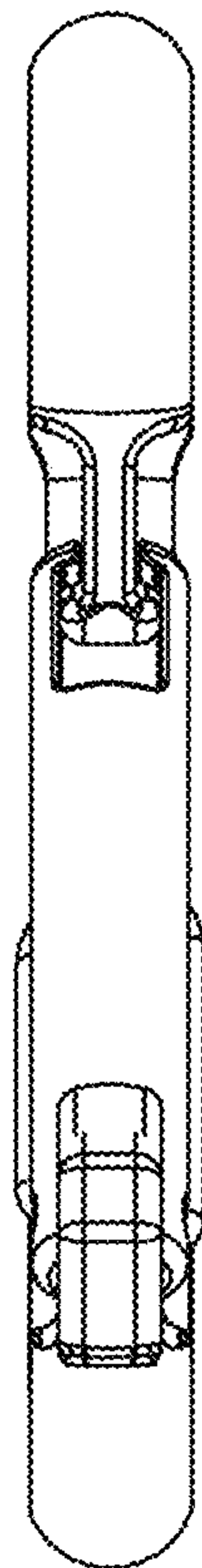


FIG. 5



FIG. 6



FIG. 7



FIG. 8

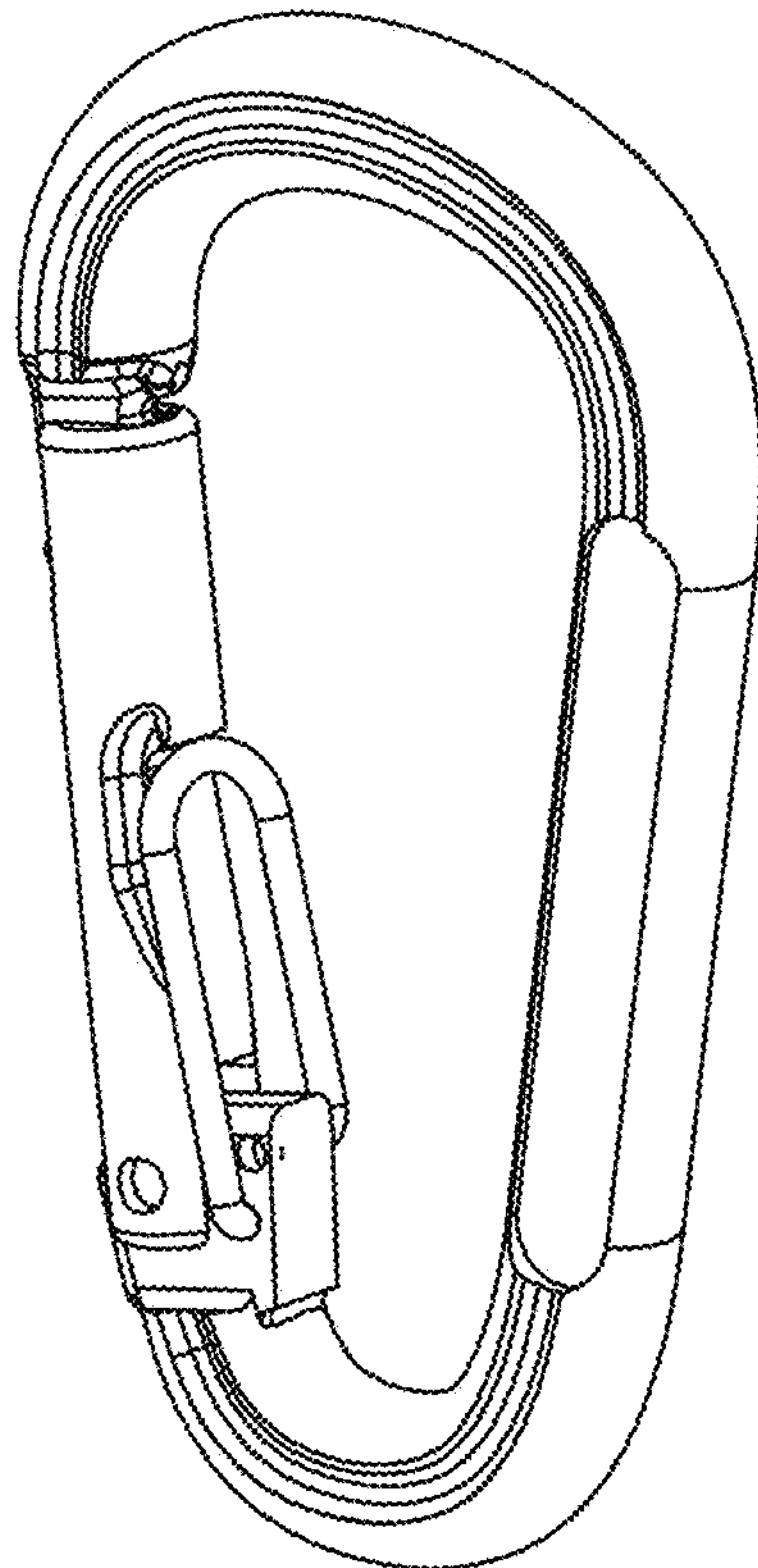


FIG. 9

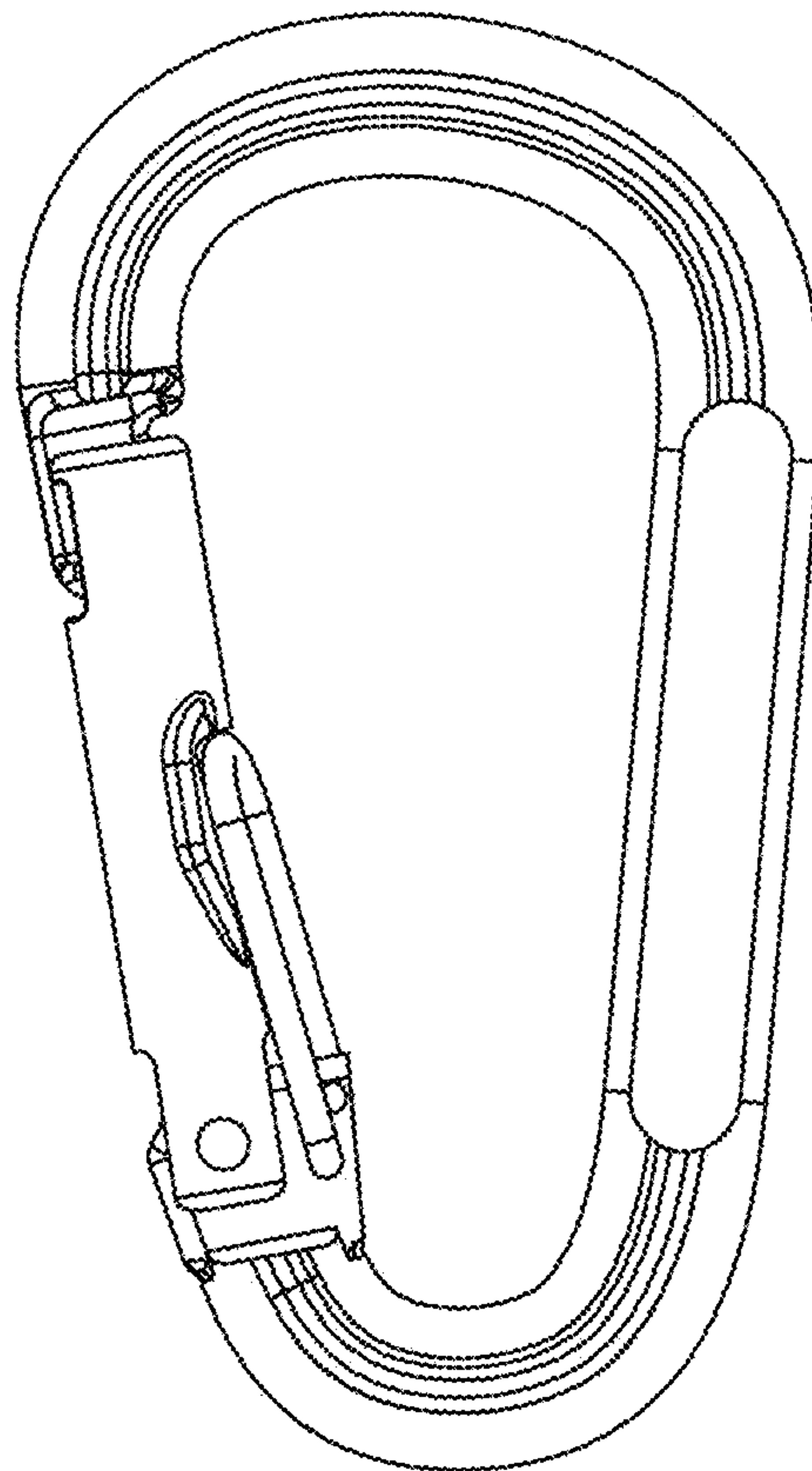


FIG. 10

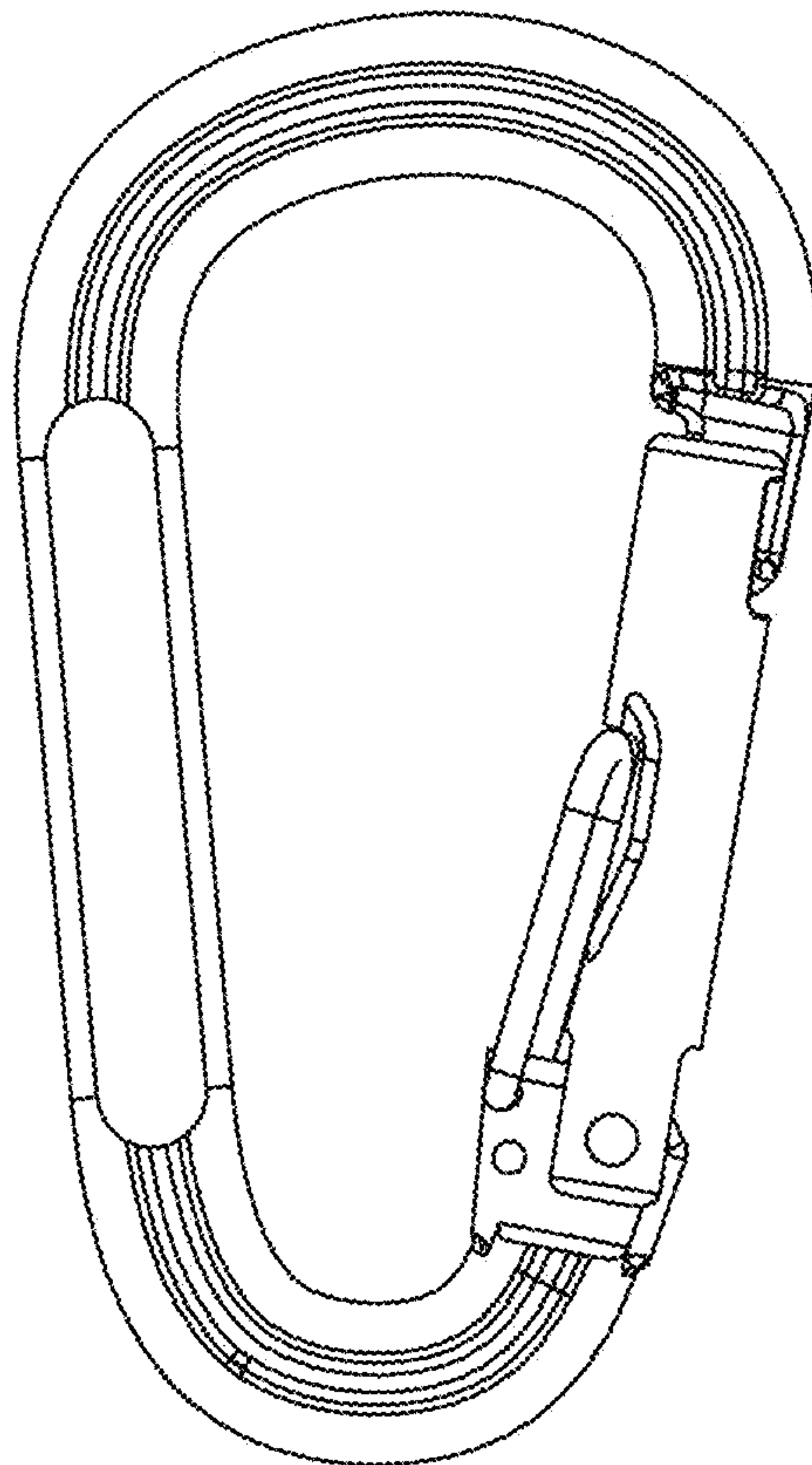


FIG. 11



FIG. 12



FIG. 13

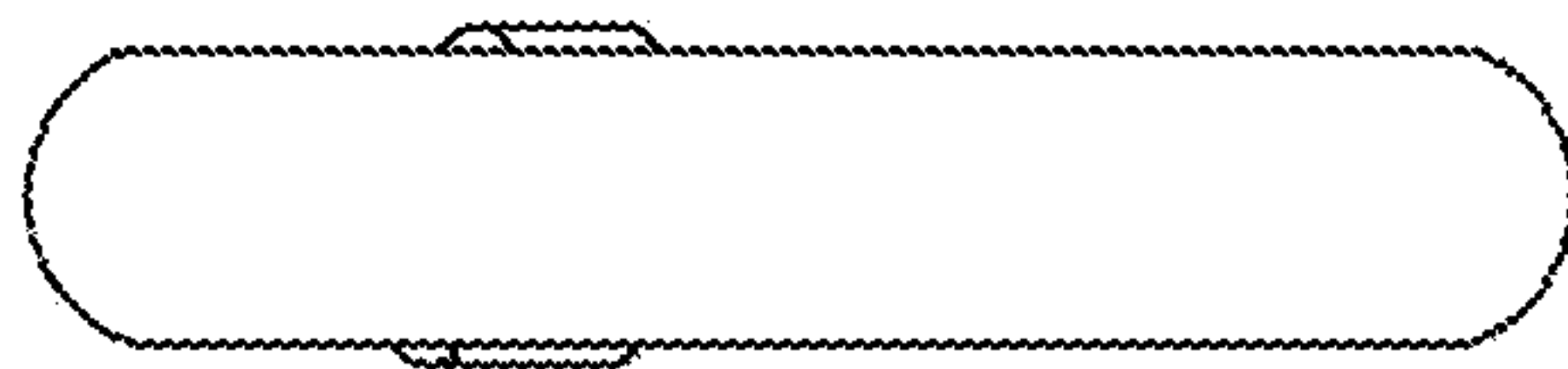


FIG. 14

