



US00D807732S

(12) **United States Design Patent**
Fretz

(10) **Patent No.:** **US D807,732 S**
(45) **Date of Patent:** **** Jan. 16, 2018**

(54) **FAIRLEAD**
(71) Applicant: **Warn Industries, Inc.**, Clackamas, OR
(US)
(72) Inventor: **Darren G. Fretz**, Oregon City, OR
(US)

D440,530 S 4/2001 Geisler
6,334,269 B1 1/2002 Dilks
D471,338 S 3/2003 Hodge
D473,992 S 4/2003 Hodge
D475,499 S 6/2003 Hodge
6,604,731 B2 8/2003 Hodge
D479,899 S 9/2003 Hodge

(Continued)

(73) Assignee: **Warn Industries, Inc.**, Clackamas, OR
(US)

(**) Term: **15 Years**

(21) Appl. No.: **29/582,672**

(22) Filed: **Oct. 28, 2016**

(51) **LOC (11) Cl.** **09-06**

(52) **U.S. Cl.**
USPC **D8/356**

(58) **Field of Classification Search**
USPC D8/356, 354, 349
CPC B65H 57/16; E02D 5/803; B63B 21/045;
B63B 59/02; B60D 1/18; B60P 1/103;
Y10T 24/3918
See application file for complete search history.

(56) **References Cited**

U.S. PATENT DOCUMENTS

4,545,567 A	10/1985	Telford et al.	
4,736,929 A	4/1988	McMorris	
5,214,359 A	5/1993	Herndon et al.	
D351,552 S *	10/1994	Williams	D8/356
5,353,890 A	10/1994	Clohessy	
5,482,255 A	1/1996	Daschel et al.	
5,522,582 A	6/1996	Dilks	
5,618,143 A	4/1997	Cronin, II et al.	
5,648,887 A	7/1997	Herndon et al.	
5,772,373 A	6/1998	Cronin, II et al.	
RE36,216 E	6/1999	Telford	
5,927,455 A	7/1999	Baker et al.	
5,967,277 A	10/1999	Walter	
6,046,893 A	4/2000	Heravi	

OTHER PUBLICATIONS

Fretz, Darren G. et al., "A Fairlead with a Lighting System,"
Provisional U.S. Appl. No. 62/331,558, filed May 4, 2016, 43 pages.
(Continued)

Primary Examiner — Cynthia Underwood
(74) *Attorney, Agent, or Firm* — McCoy Russell LLP

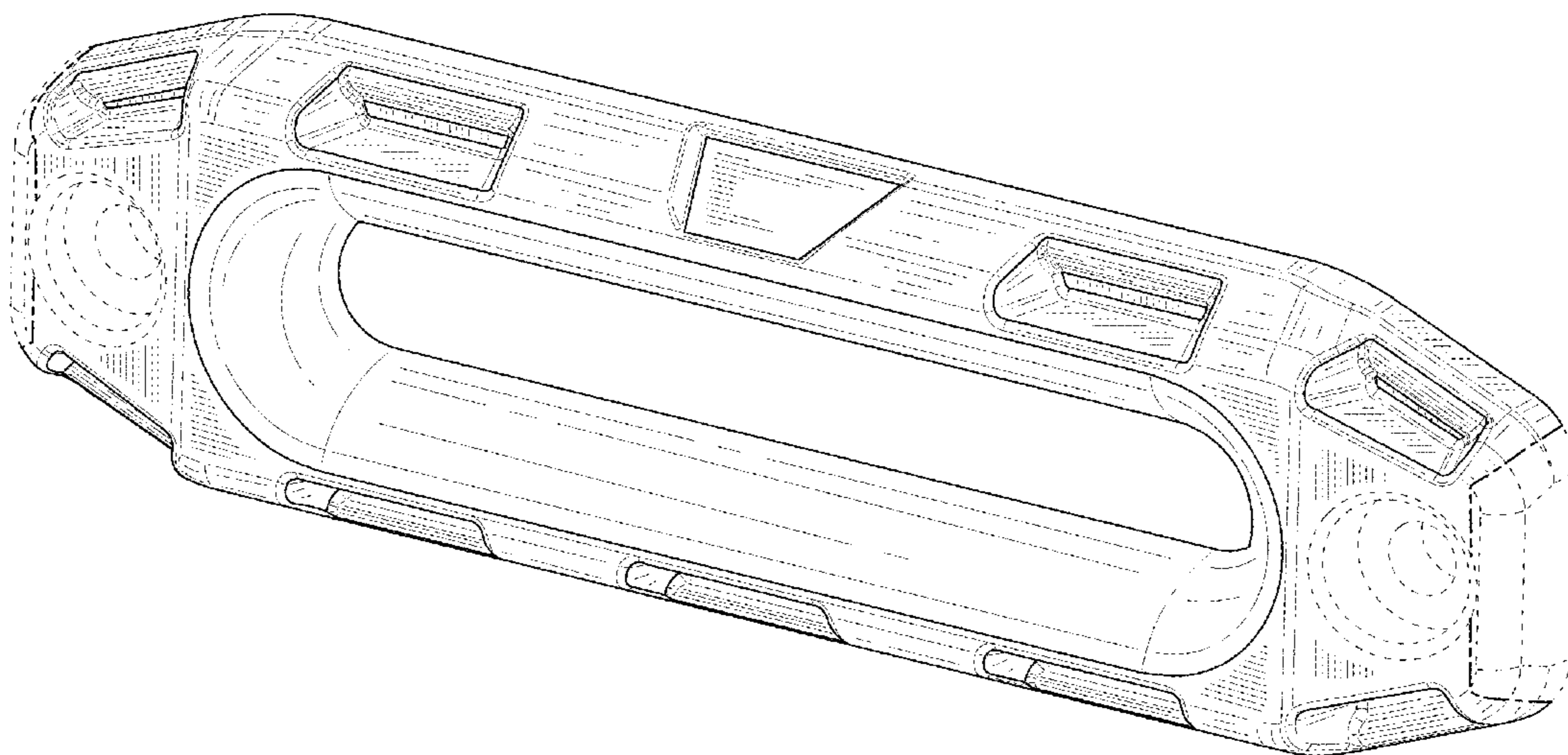
(57) **CLAIM**

The ornamental design for a fairlead, as shown and described.

DESCRIPTION

FIG. 1 is a front perspective view of a fairlead according to the present disclosure.
FIG. 2 is a front view of the fairlead of FIG. 1.
FIG. 3 is a back view of the fairlead of FIG. 1.
FIG. 4 is a left side view of the fairlead of FIG. 1.
FIG. 5 is a right side view of the fairlead of FIG. 1.
FIG. 6 is a top view of the fairlead of FIG. 1; and,
FIG. 7 is a bottom view of the fairlead of FIG. 1.
The solid lines in FIGS. 1-7 illustrate a fairlead according to the present disclosure. The even broken lines in FIGS. 1-7 are included for the purpose of illustrating environmental structure and form no part of the claimed design. The uneven broken lines in FIGS. 1-7 represent boundary lines that define the bounds of the claimed design, where the illustrated boundary does not exist in reality in the article embodying the design.

1 Claim, 5 Drawing Sheets



(56)

References Cited

U.S. PATENT DOCUMENTS

D489,157 S 4/2004 Lawson
 6,802,203 B1 10/2004 Averill et al.
 7,000,750 B2 2/2006 Ewer
 7,055,667 B2 6/2006 Roe et al.
 7,143,883 B2 12/2006 McCalla et al.
 7,222,700 B2 5/2007 Elliott
 7,262,947 B2 8/2007 Heravi et al.
 D591,923 S 5/2009 Freitas et al.
 D604,143 S * 11/2009 Shnayder D8/349
 8,025,130 B2 9/2011 Elliott
 D649,017 S * 11/2011 Stieler D8/356
 D649,641 S * 11/2011 Guttulrsrud D24/143
 8,076,885 B2 12/2011 Heravi et al.
 D670,995 S * 11/2012 Stieler D8/356
 D699,098 S 2/2014 Fretz
 D702,595 S 4/2014 Fretz
 D703,414 S 4/2014 Fretz et al.
 D707,529 S 6/2014 Fretz
 D708,507 S 7/2014 Fretz
 D725,339 S 3/2015 Fretz
 9,014,913 B2 4/2015 Heravi et al.
 D731,293 S 6/2015 Fretz
 D736,129 S 8/2015 Fretz et al.
 9,120,656 B2 9/2015 Yoder
 D740,513 S 10/2015 Fretz et al.
 D741,692 S * 10/2015 Mulvoy D8/356

D744,189 S 11/2015 Fretz
 9,266,702 B2 2/2016 Fretz et al.
 9,315,364 B2 4/2016 Averill et al.
 D770,886 S * 11/2016 Whitaker D8/394
 D775,514 S * 1/2017 Muhlenkamp D16/242
 D776,395 S 1/2017 Fretz et al.
 D788,572 S * 6/2017 Votel D8/356
 2014/0001428 A1 1/2014 Fretz
 2016/0096709 A1 4/2016 Averill et al.
 2016/0107728 A1 * 4/2016 Brenner B66D 1/36
 254/389
 2016/0176687 A1 6/2016 Averill et al.
 2017/0227089 A1 * 8/2017 Costa F16G 11/146

OTHER PUBLICATIONS

Fretz, Darren G. et al., "An Ornamental Design for a Fairlead,"
 Design U.S. Appl. No. 29/582,657, filed Oct. 28, 2016, 7 pages.
 Fretz, Darren G. et al., "An Ornamental Design for a Control Pack
 of a Winch," Design U.S. Appl. No. 29/582,659, filed Oct. 28, 2016,
 9 pages.
 Fretz, Darren G. et al., "An Ornamental Design for a Clutch Lever
 of a Winch," Design U.S. Appl. No. 29/582,664, filed Oct. 28, 2016,
 9 pages.
 Fretz, Darren G., "An Ornamental Design for a Lighted Fairlead,"
 Design U.S. Appl. No. 29/582,676, filed Oct. 28, 2016, 7 pages.

* cited by examiner

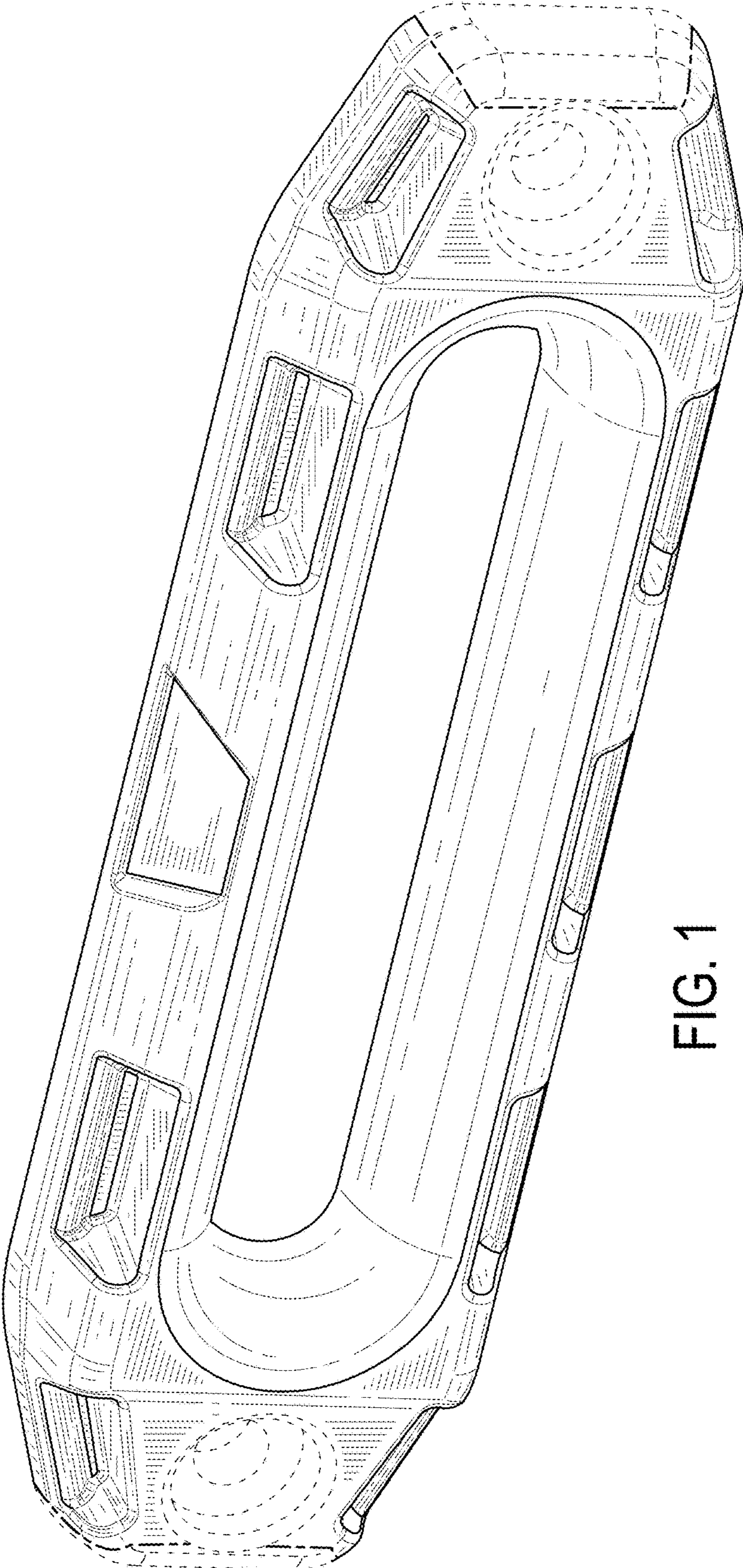


FIG. 1

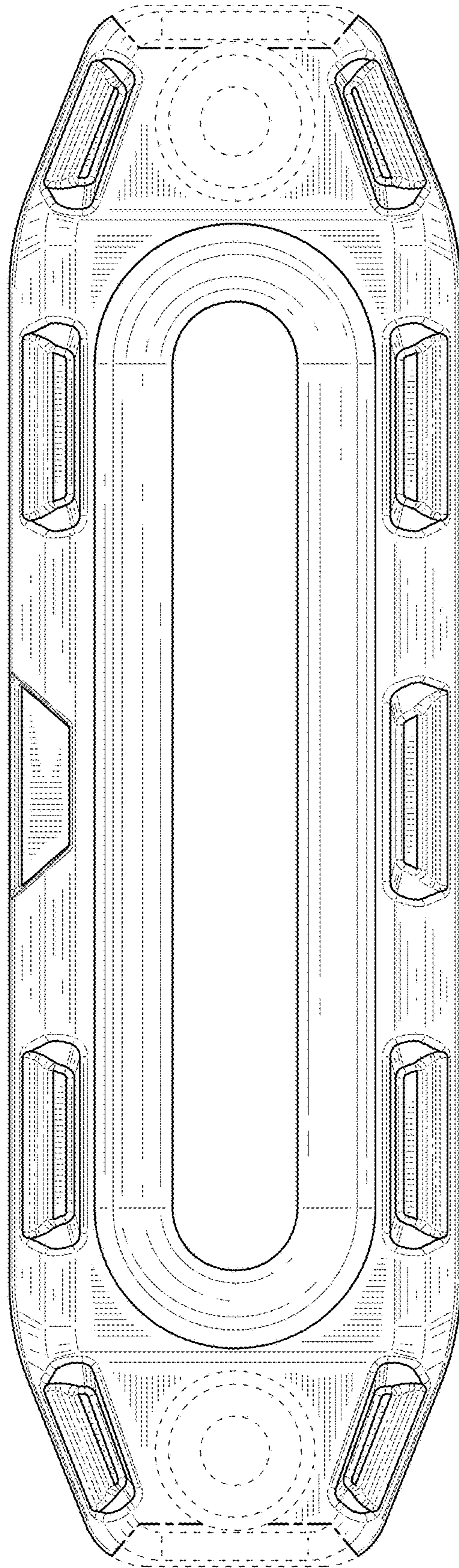


FIG. 2

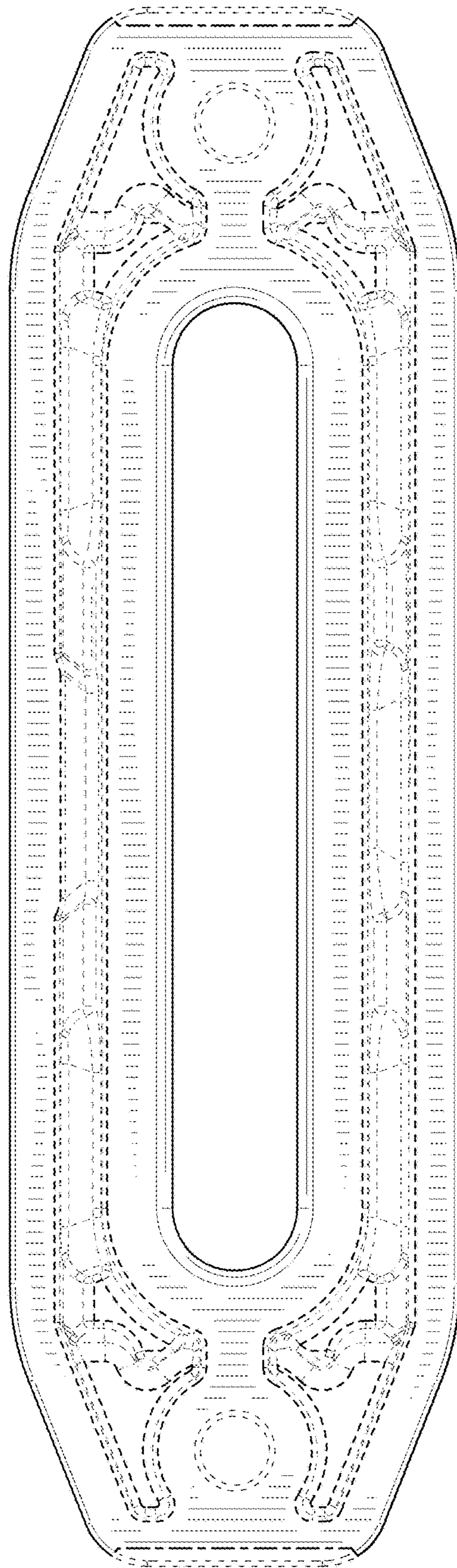


FIG. 3

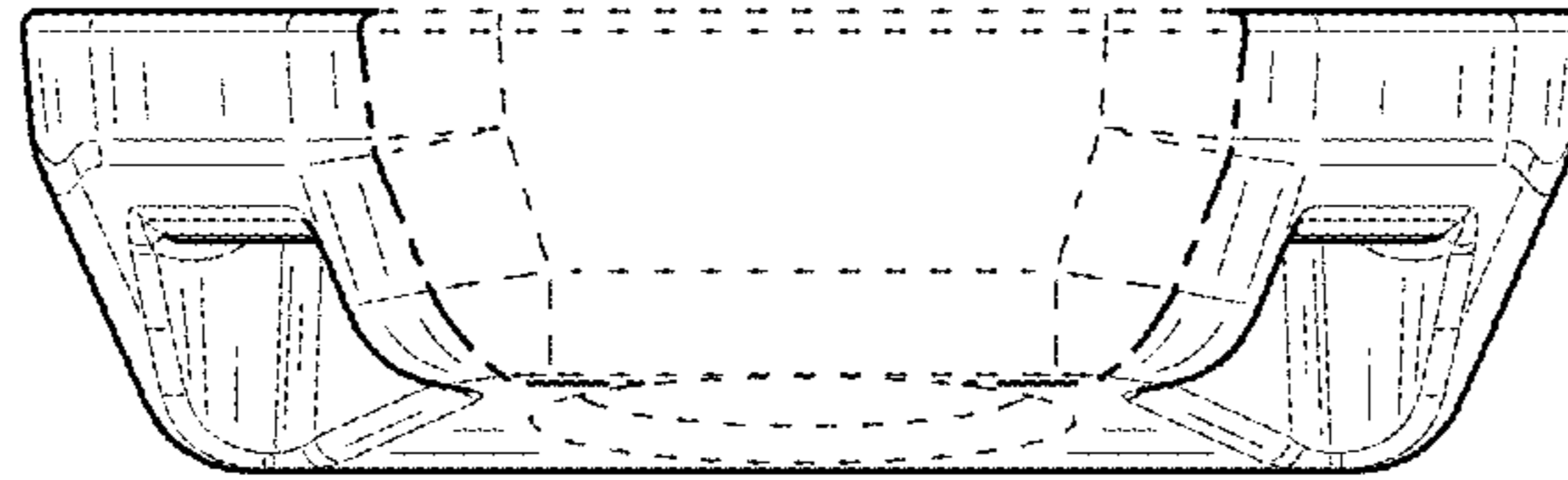


FIG. 5

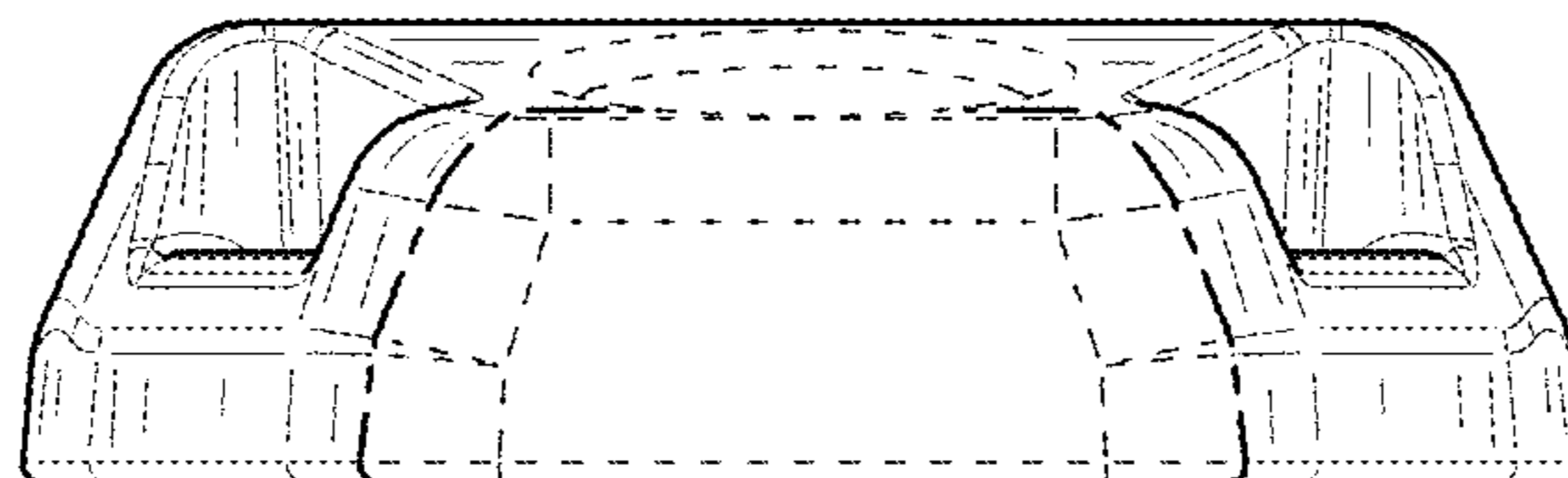


FIG. 4

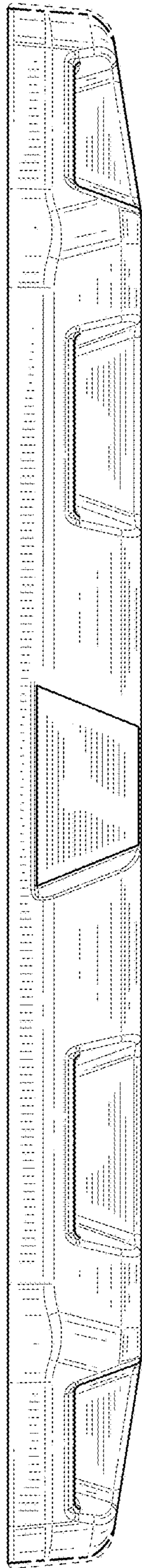


FIG. 6

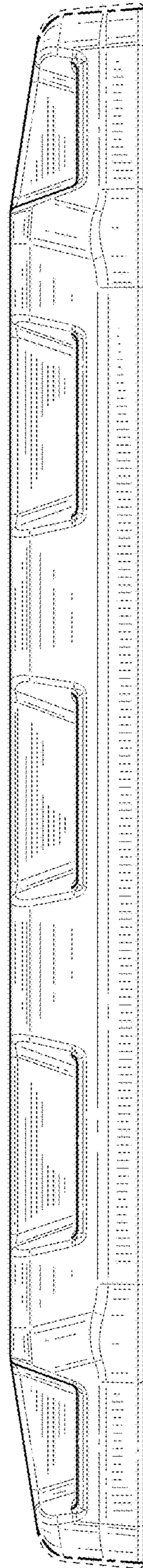


FIG. 7