



US00D807730S

(12) **United States Design Patent**  
**Wu**

(10) **Patent No.:** **US D807,730 S**  
(45) **Date of Patent:** **\*\* Jan. 16, 2018**

(54) **CONDUIT DREDGE**

(71) Applicant: **Kuei-Kun Wu**, Kaohsiung (TW)

(72) Inventor: **Kuei-Kun Wu**, Kaohsiung (TW)

(\*\*) Term: **15 Years**

(21) Appl. No.: **29/581,713**

(22) Filed: **Oct. 21, 2016**

(30) **Foreign Application Priority Data**

May 9, 2016 (TW) ..... 105302538

(51) **LOC (11) Cl.** ..... **09-06**

(52) **U.S. Cl.**  
USPC ..... **D8/356**; D32/14

(58) **Field of Classification Search**  
USPC ..... D8/356, 354, 349; 206/233; 320/107;  
D32/14

CPC ..... B65H 57/16; E02D 5/803; B63B 21/045;  
B63B 59/02; B60D 1/18; B60P 1/103;  
B60P 7/0823; Y10T 24/3918; A62B  
35/0081; H04R 1/1033; A44B 13/0029;  
H02G 3/045; A21C 9/08; H02J 7/0021;  
B08B 9/045

See application file for complete search history.

(56) **References Cited**

**U.S. PATENT DOCUMENTS**

4,617,693 A \* 10/1986 Meyer ..... B08B 9/045  
15/104.33  
D307,202 S \* 4/1990 Moss ..... D32/14

D310,280 S \* 8/1990 Moss ..... D32/14  
D312,713 S \* 12/1990 Levine ..... D32/14  
6,588,588 B2 \* 7/2003 Samuels ..... A61M 25/002  
206/364  
7,269,874 B2 \* 9/2007 Hung ..... B08B 9/045  
15/104.095  
D561,579 S \* 2/2008 Aronson ..... D9/415  
D650,954 S \* 12/2011 Patterson ..... D32/14  
D792,756 S \* 7/2017 Vanttila ..... D8/356  
2015/0166148 A1 \* 6/2015 Liu ..... B63B 27/24  
137/15.09

\* cited by examiner

*Primary Examiner* — Cynthia Underwood

(74) *Attorney, Agent, or Firm* — Alan D. Kamrath;  
Kamrath IP Lawfirm, P.A.

(57) **CLAIM**

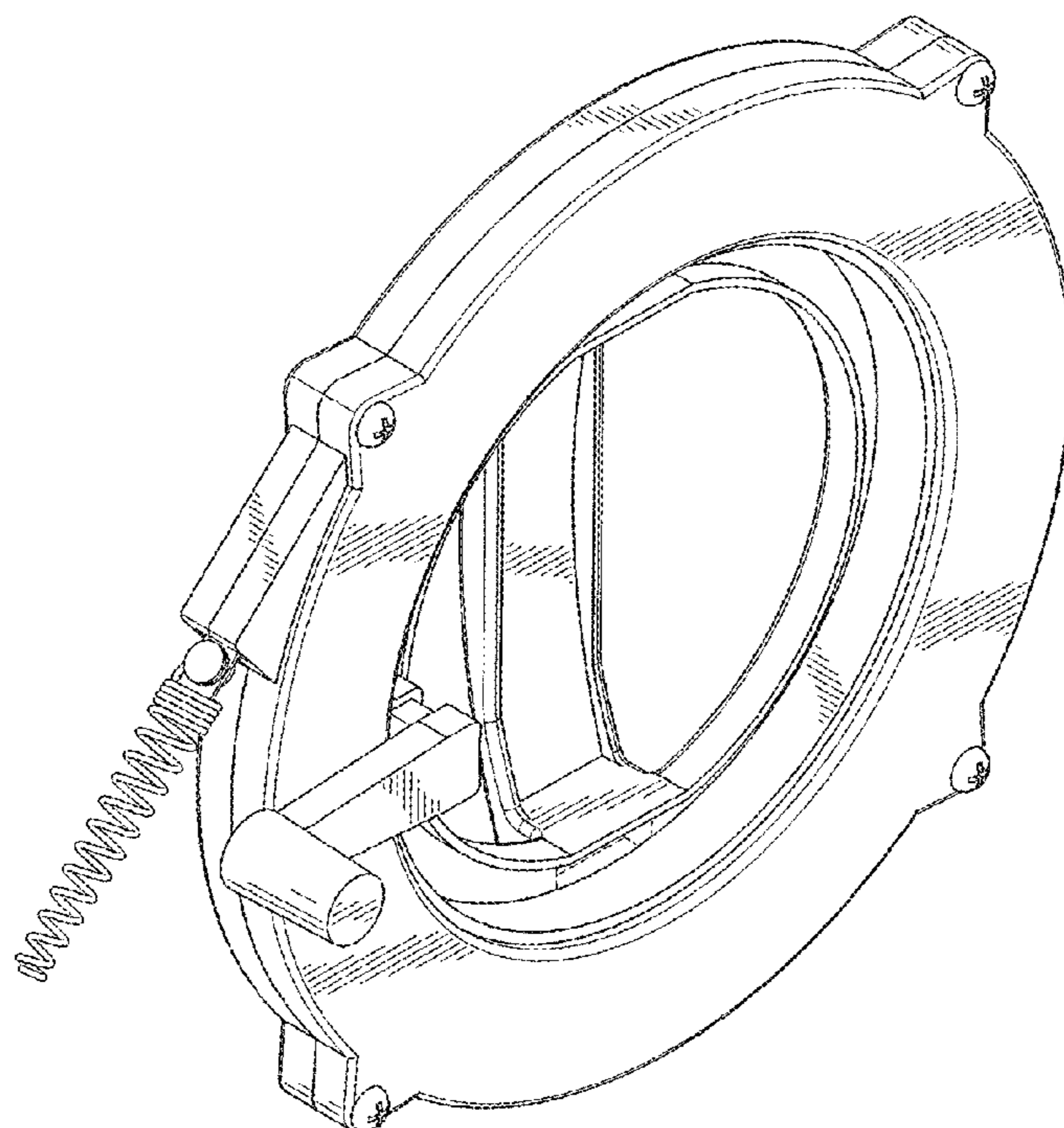
The ornamental design for a conduit dredge, as shown and described.

**DESCRIPTION**

FIG. 1 is a perspective view of a conduit dredge showing my new design;  
FIG. 2 is another perspective view thereof;  
FIG. 3 is a front view thereof;  
FIG. 4 is a rear view thereof;  
FIG. 5 is a left side view thereof;  
FIG. 6 is a right side view thereof;  
FIG. 7 is a top view thereof; and,  
FIG. 8 is a bottom view thereof.

The portions of the Figures shown in broken lines depict environmental subject matter, are for illustration only and form no part of the claimed design.

**1 Claim, 6 Drawing Sheets**



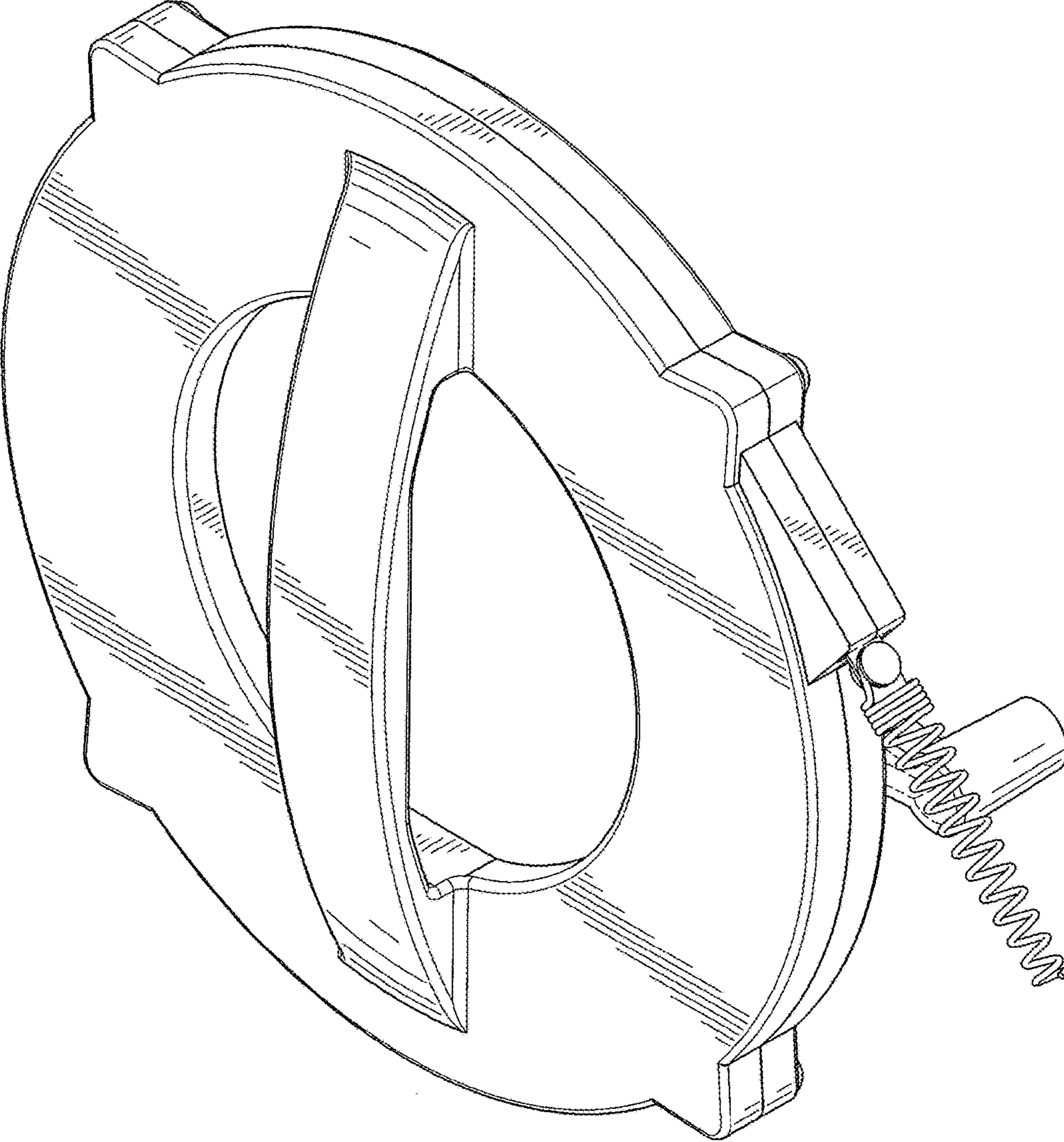


FIG.1

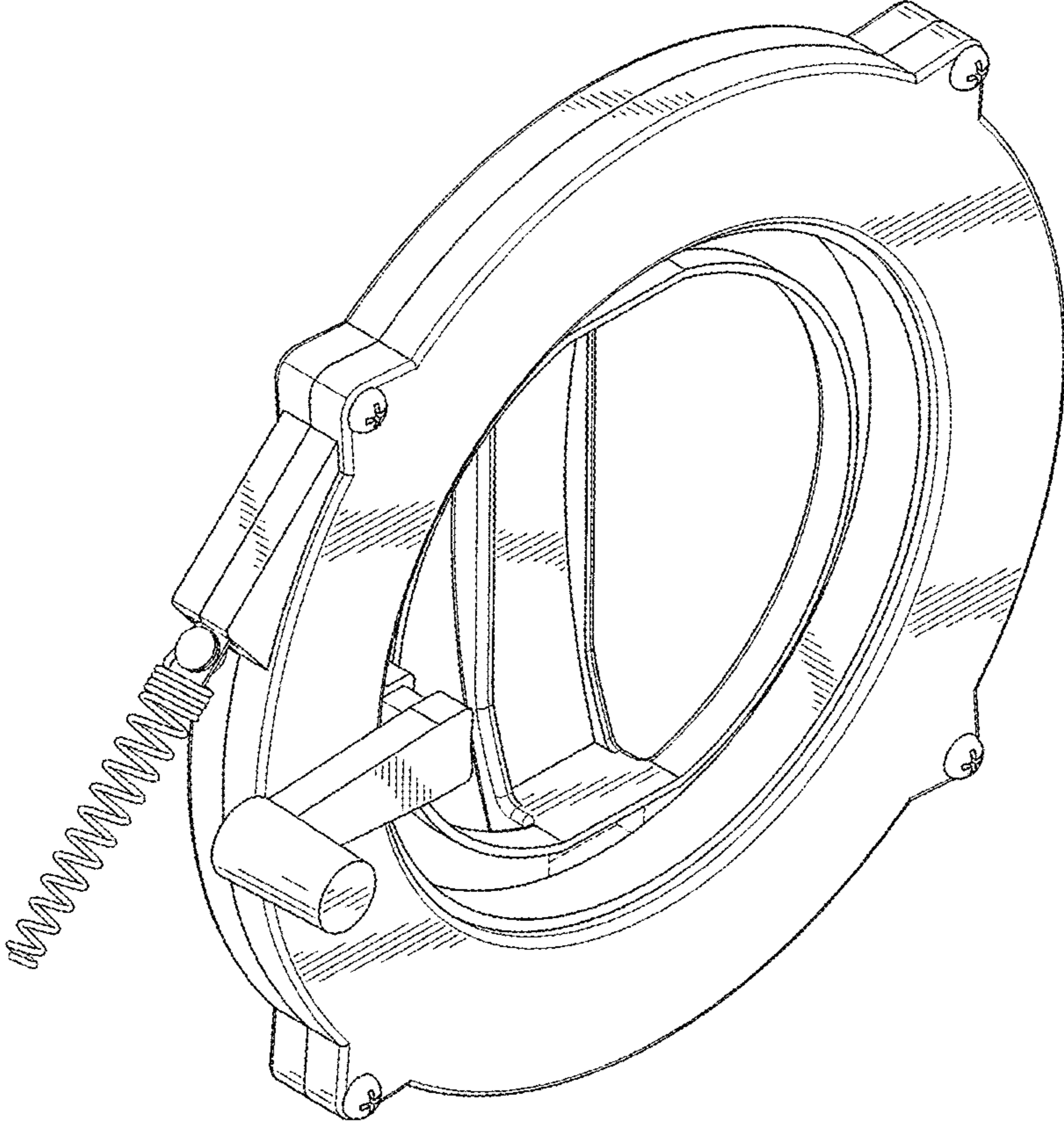


FIG.2

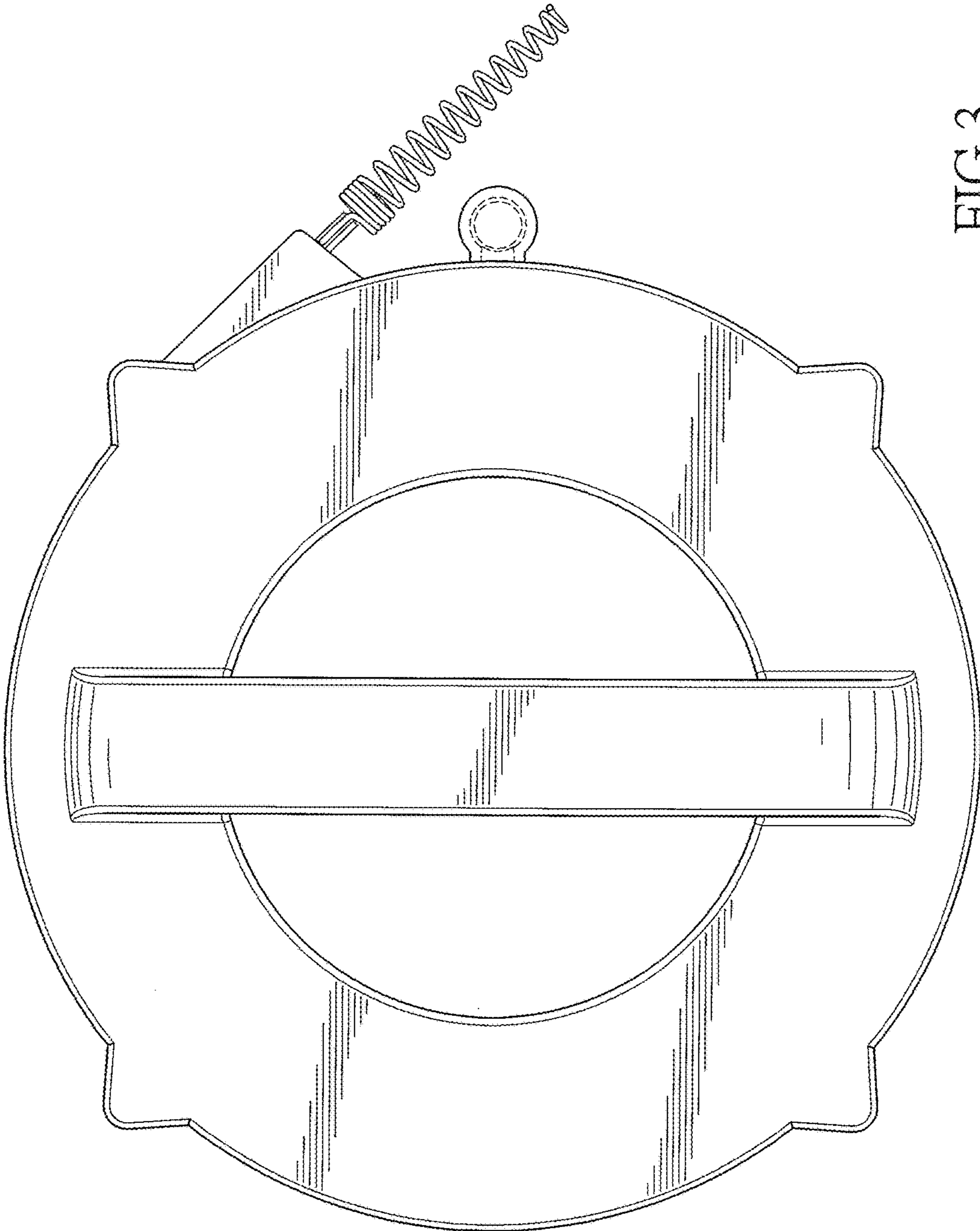


FIG.3

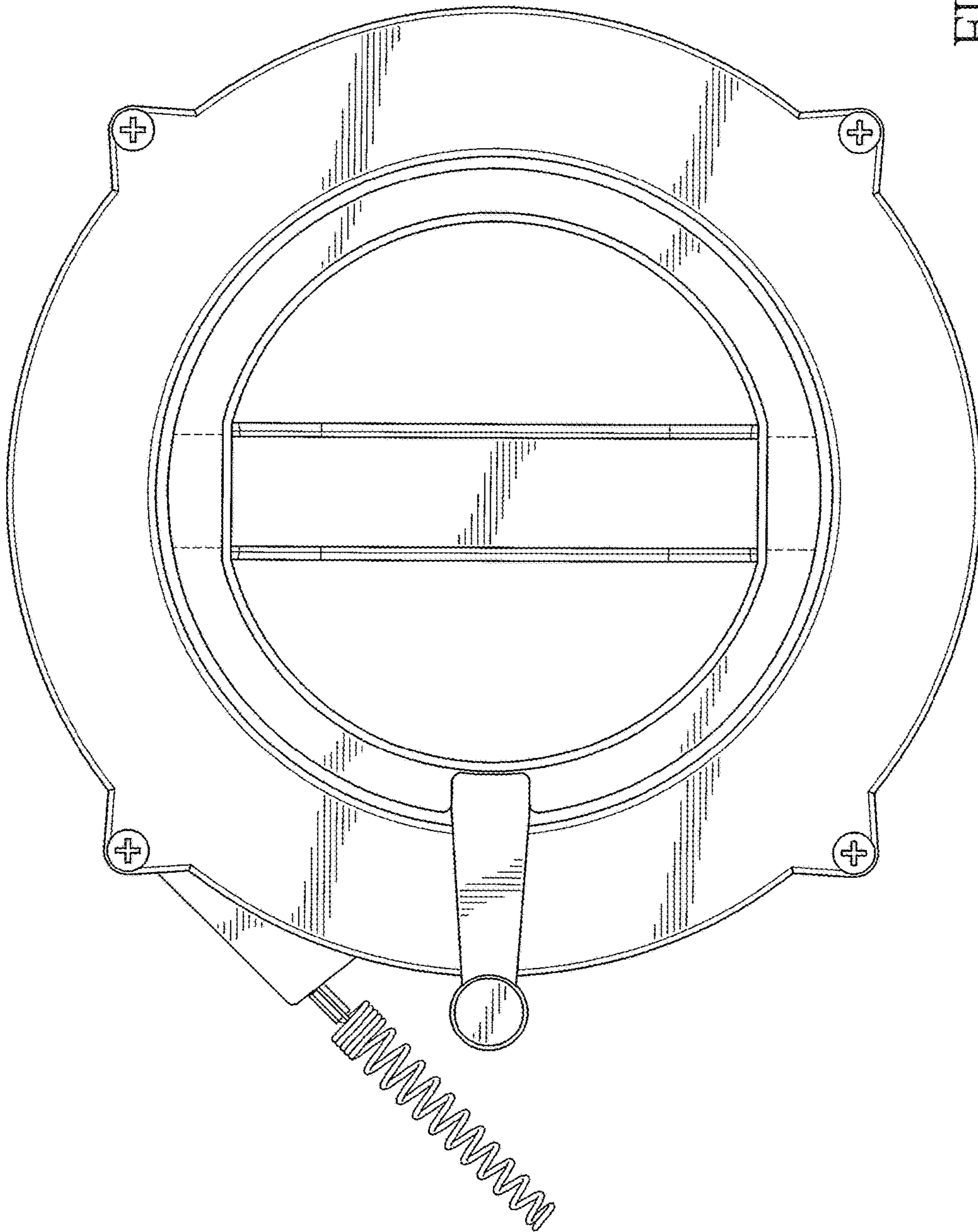


FIG.4

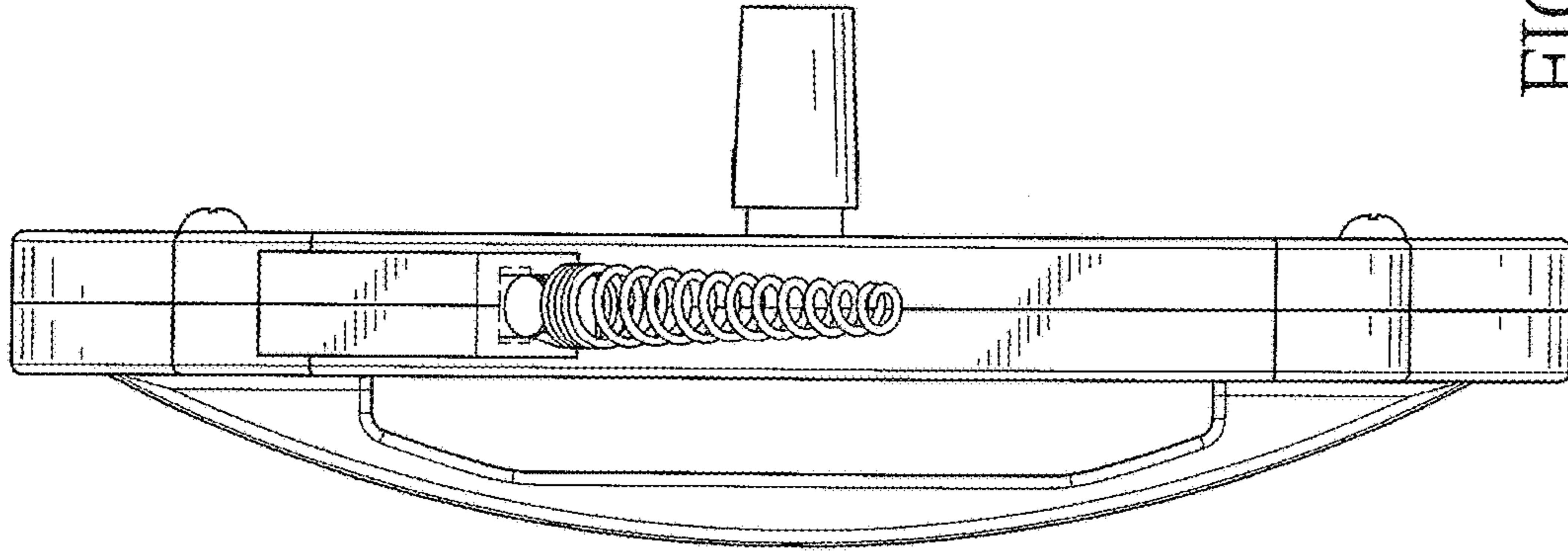


FIG. 6

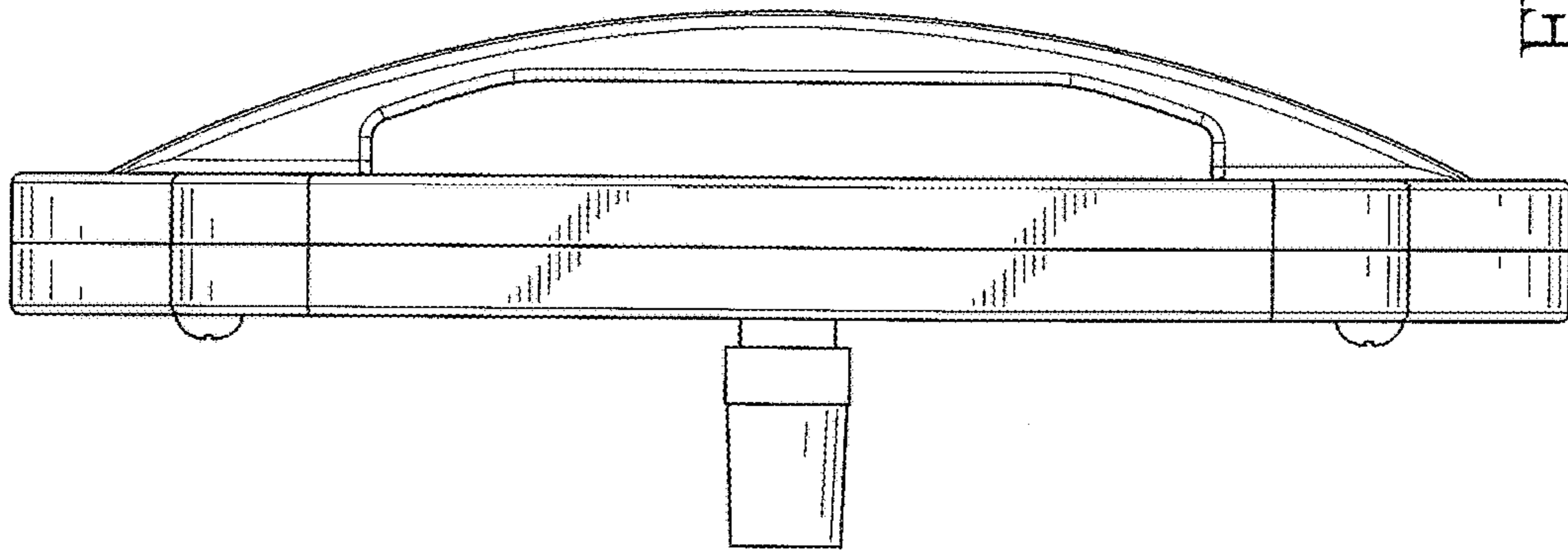


FIG. 5

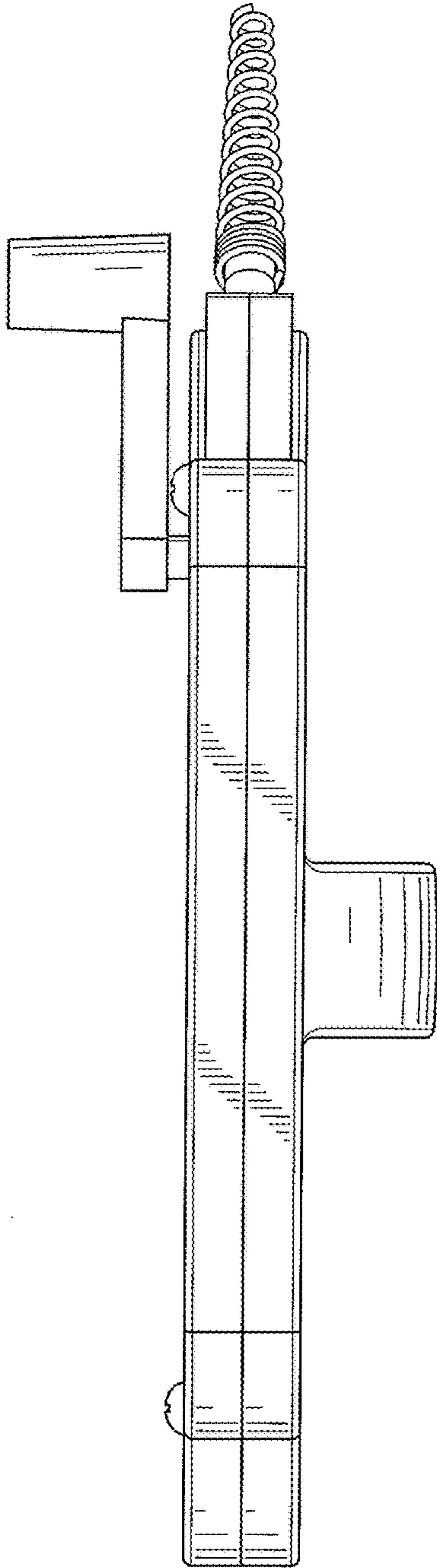


FIG. 7

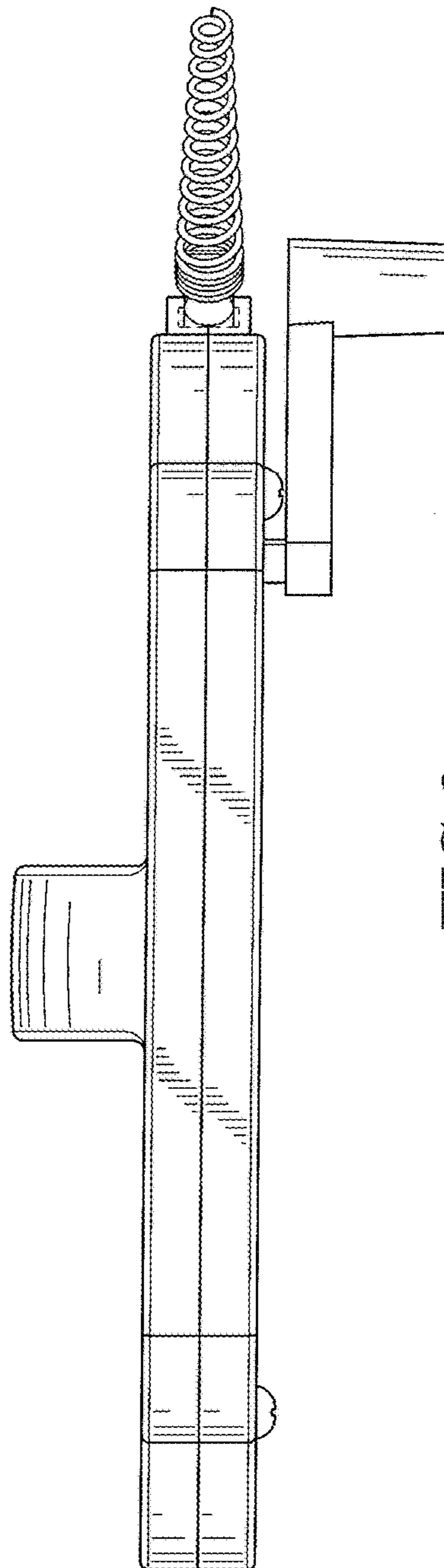


FIG. 8