



US00D807729S

(12) **United States Design Patent**
Willshare et al.

(10) **Patent No.:** **US D807,729 S**
(45) **Date of Patent:** **** Jan. 16, 2018**

- (54) **FLOWLINE SUPPORT DEVICE**
- (71) Applicant: **National Oiwell Varco, L.P.**, Houston, TX (US)
- (72) Inventors: **Thomas Michael Willshare**, Newcastle upon Tyne (GB); **Richard Matthew Westgarth**, Chester-le-Street (GB)
- (73) Assignee: **NATIONAL OILWELL VARCO, L.P.**, Houston, TX (US)
- (**) Term: **15 Years**
- (21) Appl. No.: **29/576,092**
- (22) Filed: **Aug. 31, 2016**
- (51) **LOC (11) Cl.** **09-06**
- (52) **U.S. Cl.**
USPC **D8/356**
- (58) **Field of Classification Search**
USPC D8/356, 354, 349; 206/233
CPC B65H 57/16; E02D 5/803; B63B 21/045; B63B 59/02; B60D 1/18; B60P 1/103; B60P 7/0823; Y10T 24/3918; A62B 35/0081; H04R 1/1033; A44B 13/0029
See application file for complete search history.

- D700,501 S * 3/2014 Ackerman D8/349
- D710,677 S * 8/2014 Frandsen D8/356
- 8,807,492 B2 * 8/2014 Lake F16L 3/222
248/65
- 9,010,063 B2 * 4/2015 Spruiell E04G 21/185
52/699

(Continued)

Primary Examiner — Cynthia Underwood
(74) *Attorney, Agent, or Firm* — Conley Rose, P.C.

(57) **CLAIM**

The ornamental design for a flowline support device, as shown and described.

DESCRIPTION

FIG. 1 is a perspective view of a flowline support device in accordance with the new design shown supporting a section of pipe;

FIG. 2 is another perspective view of the flowline support device;

FIG. 3 is a bottom view of thereof;

FIG. 4 is a front view thereof;

FIG. 5 is a rear view thereof;

FIG. 6 is a left-side view thereof;

FIG. 7 is a right-side view thereof;

FIG. 8 is a top view thereof;

FIG. 9 is a cross-sectional view taken along section 9-9 in FIG. 8;

FIG. 10 is a top view of a second embodiment thereof;

FIG. 11 is a cross-sectional view of the second embodiment taken along section 11-11 in FIG. 10;

FIG. 12 is a top view of a third embodiment thereof;

FIG. 13 is a cross-sectional view of the third embodiment take along section 13-13 in FIG. 12; and,

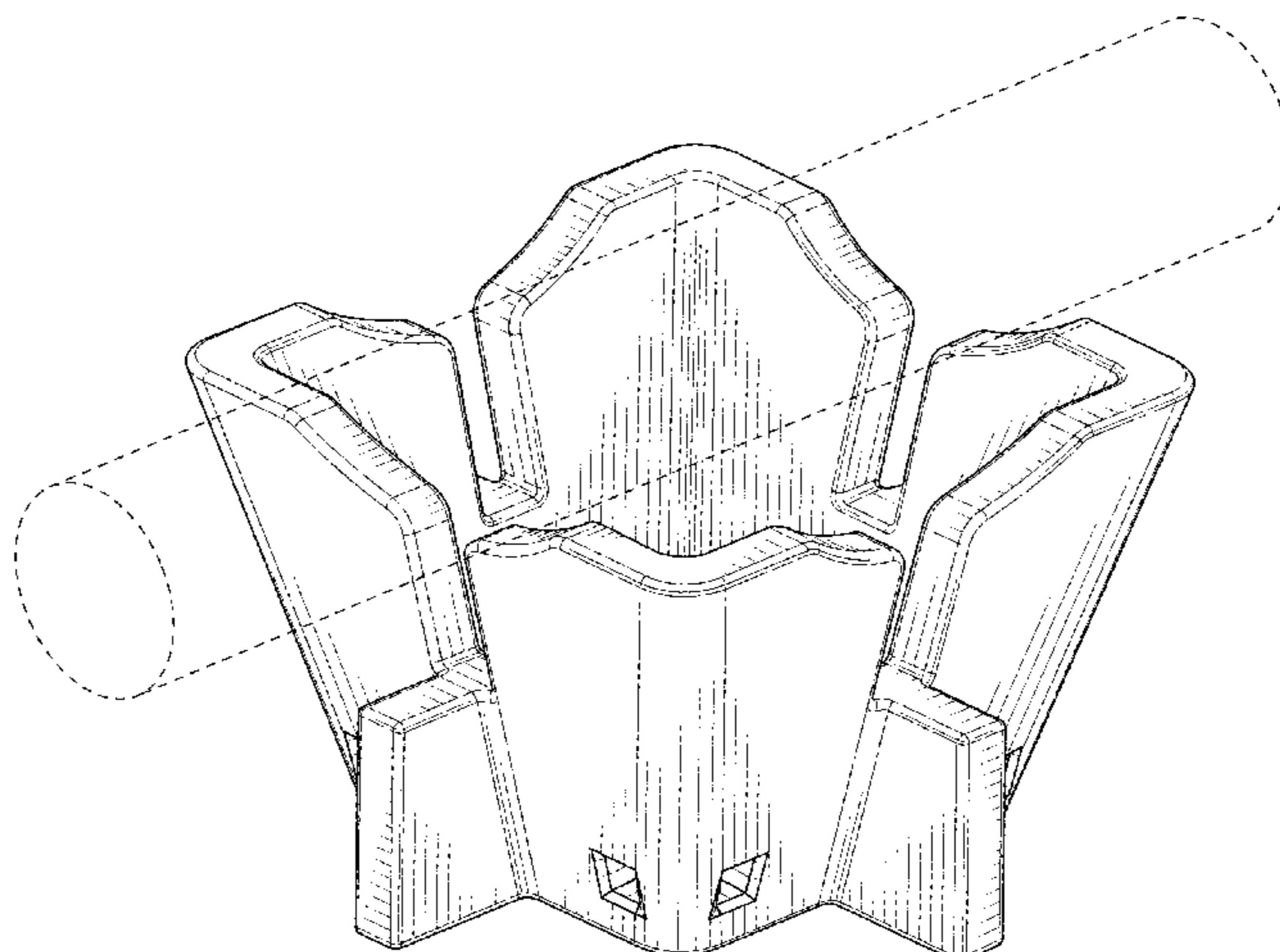
FIG. 14 is a perspective view of a fourth embodiment of a flowline support device in accordance with the new design. The broken lines represent environment of use and form no part of the claim.

(56) **References Cited**

U.S. PATENT DOCUMENTS

- 3,034,185 A * 5/1962 Olsen E04B 1/2612
248/56
- D414,680 S * 10/1999 Mathews D8/394
- 6,276,108 B1 * 8/2001 Padrun E04C 5/167
52/677
- 7,806,374 B1 * 10/2010 Ehmann H02G 3/22
174/40 R
- D649,864 S * 12/2011 Symons D8/356
- 8,074,945 B2 * 12/2011 Schoenau F16L 3/222
248/316.6
- D669,346 S * 10/2012 Jonsson D8/396
- D677,558 S * 3/2013 Frandsen D8/356

1 Claim, 14 Drawing Sheets



(56)

References Cited

U.S. PATENT DOCUMENTS

D737,131 S * 8/2015 Frandsen D8/356
D737,665 S * 9/2015 Kwakkel D8/356
D763,063 S * 8/2016 Welch D8/356
D786,048 S * 5/2017 Grewal H04R 1/1033
D8/356
D789,526 S * 6/2017 Serafini D24/128
D790,477 S * 6/2017 Ruddick D13/155
2004/0261352 A1 * 12/2004 Bennett E04C 5/20
52/698
2005/0284988 A1 * 12/2005 Lawver F16L 3/24
248/65
2008/0009165 A1 * 1/2008 Tseng F21V 21/002
439/257
2011/0214381 A1 * 9/2011 Alfonso E04C 5/168
52/685

* cited by examiner

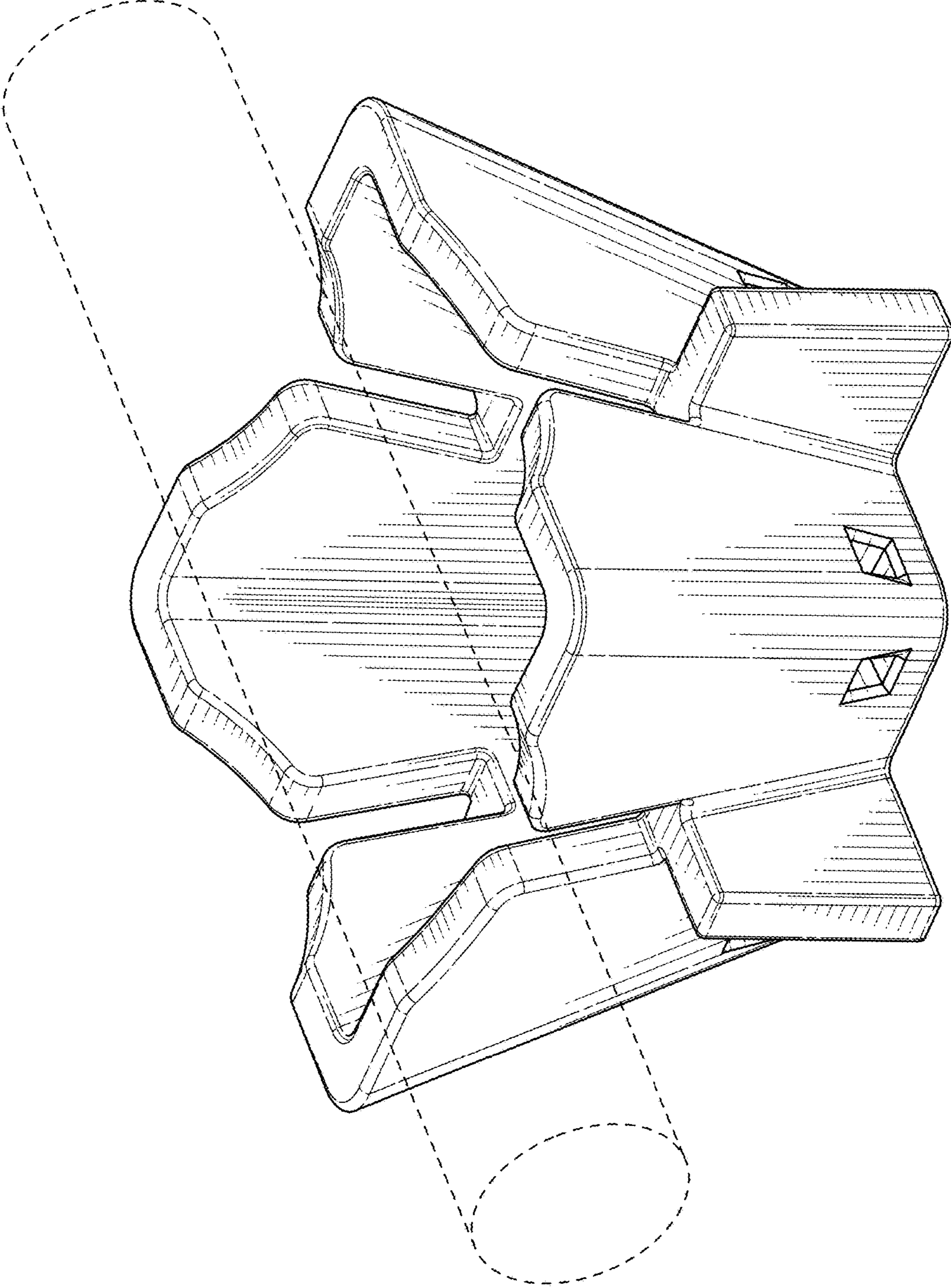


FIG. 1

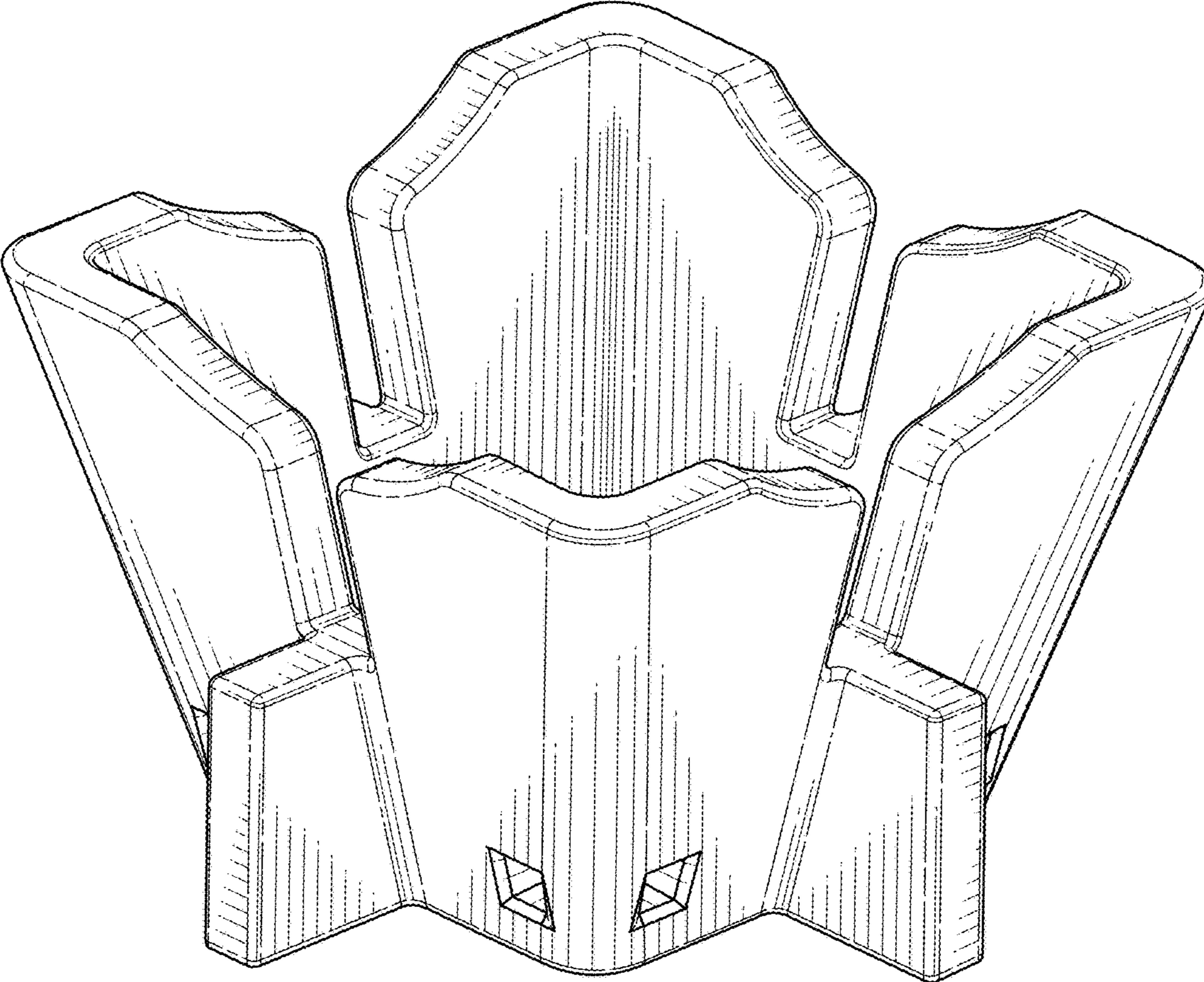


FIG. 2

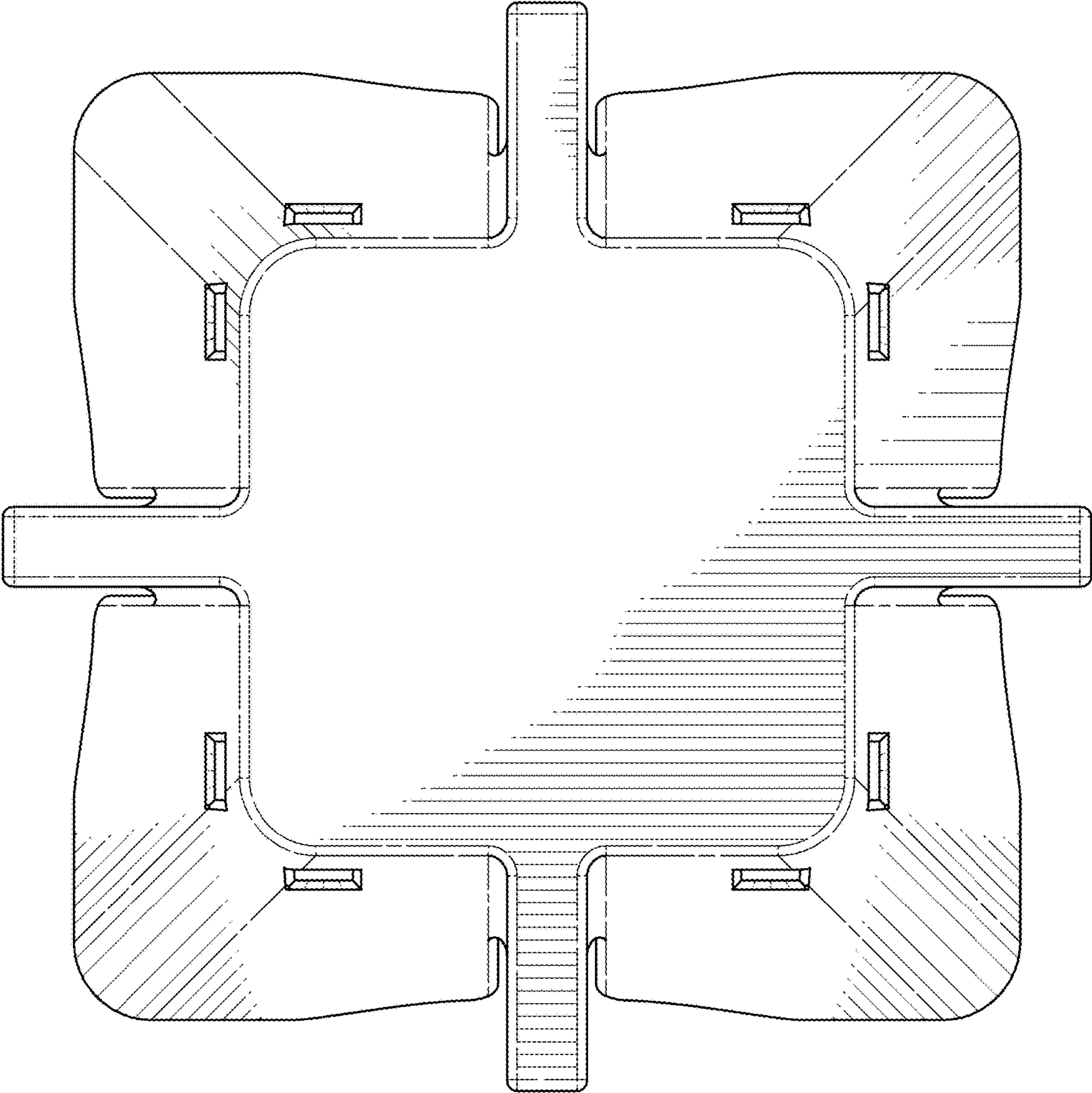


FIG. 3

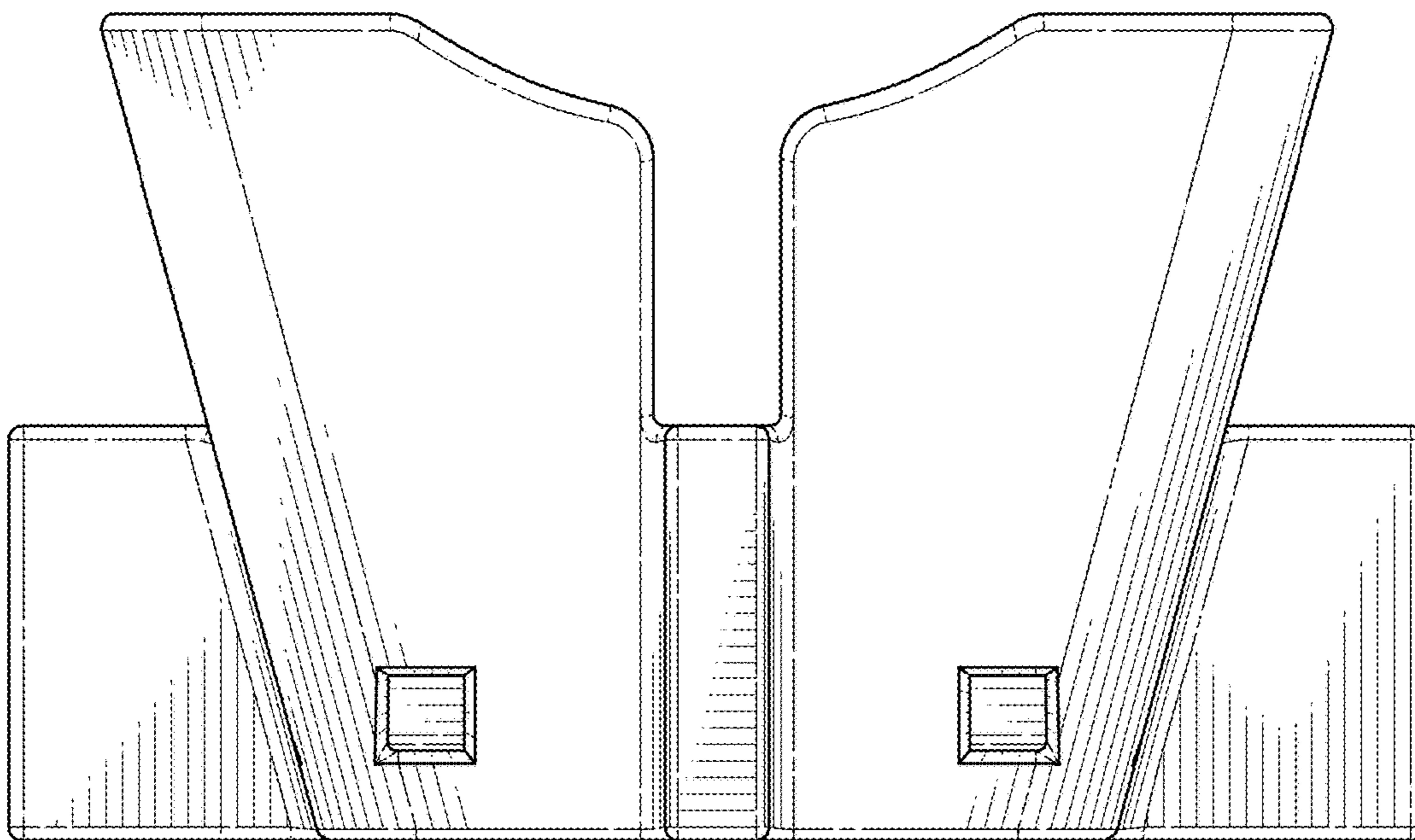


FIG. 4

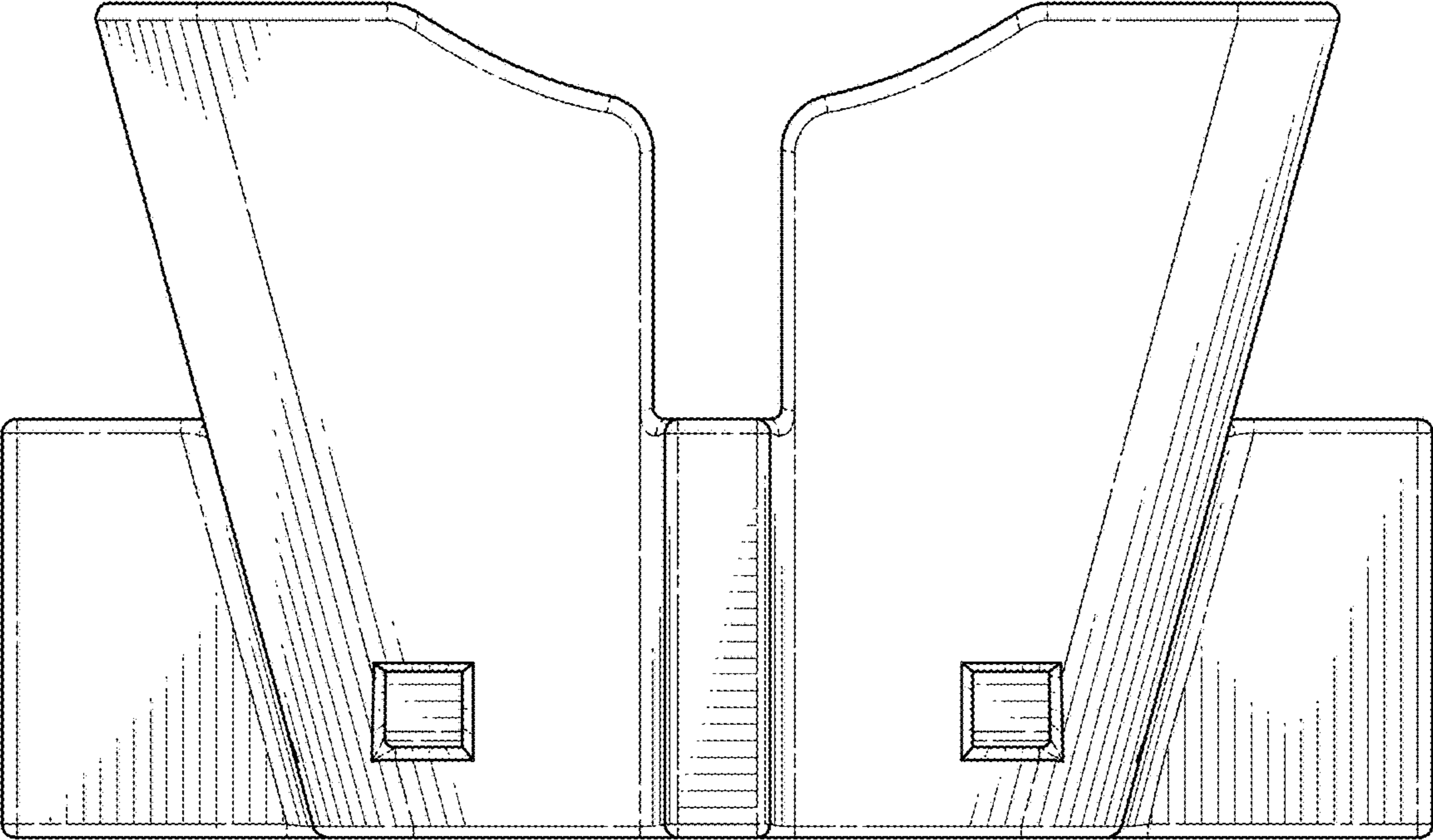


FIG. 5

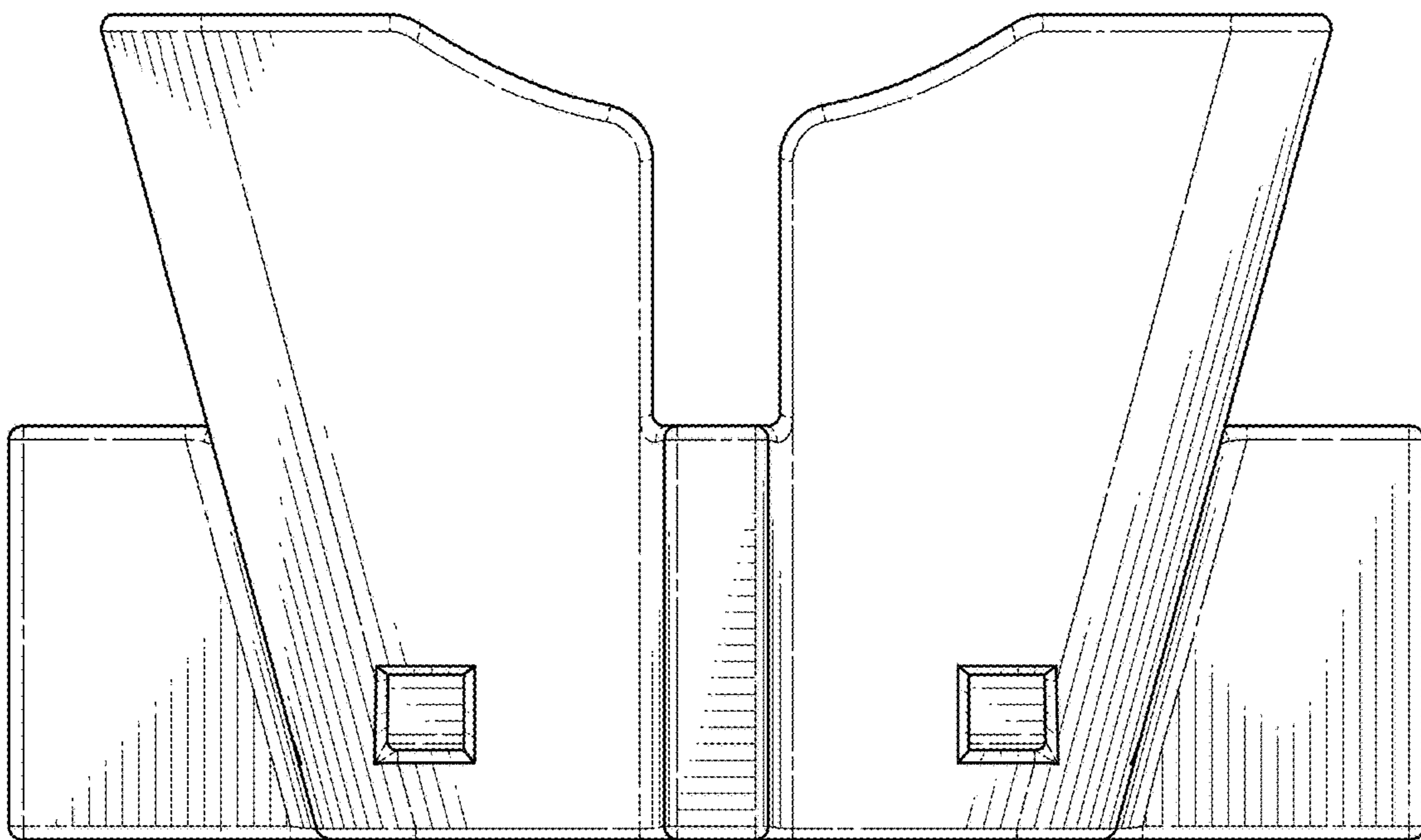


FIG. 6

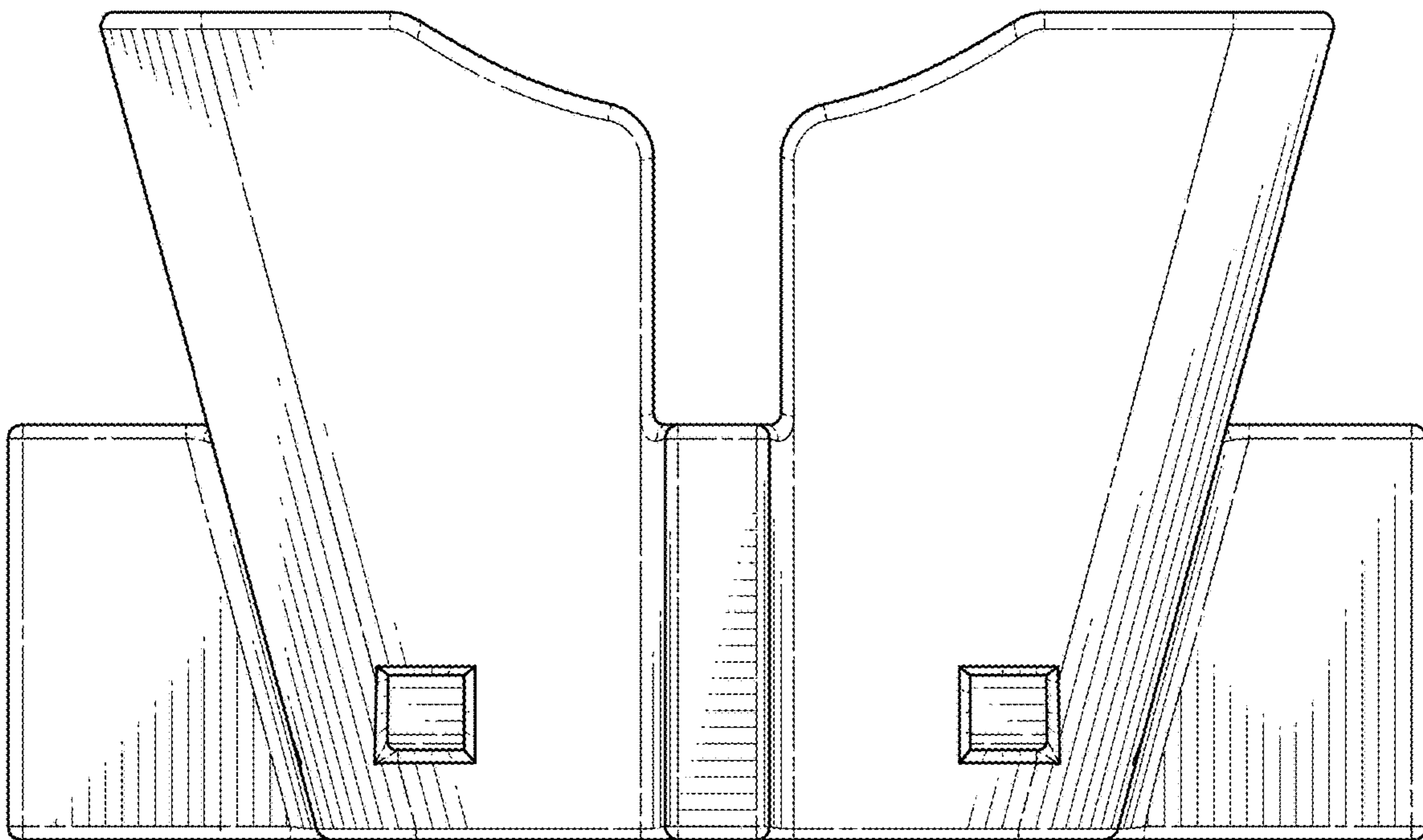


FIG. 7

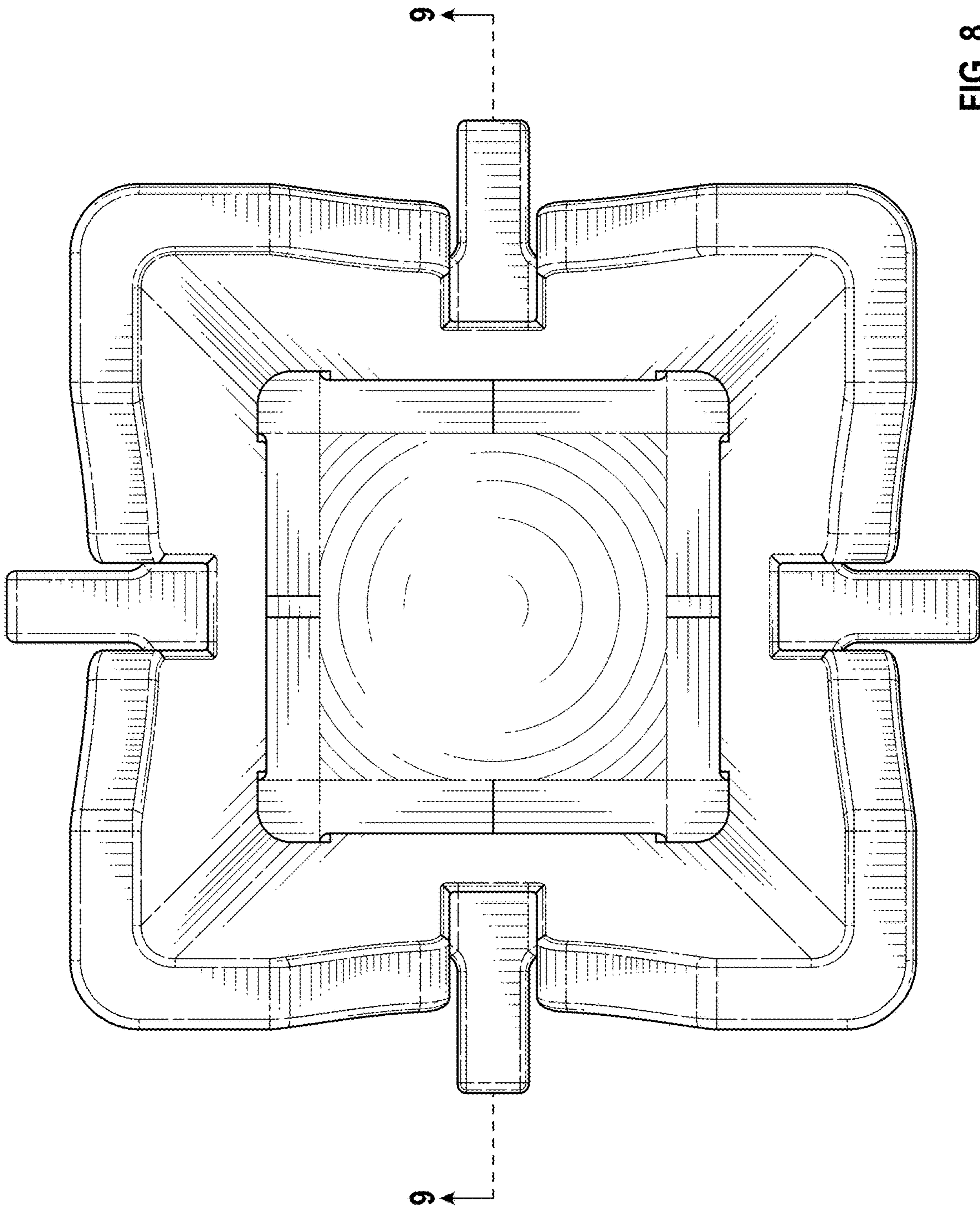


FIG. 8

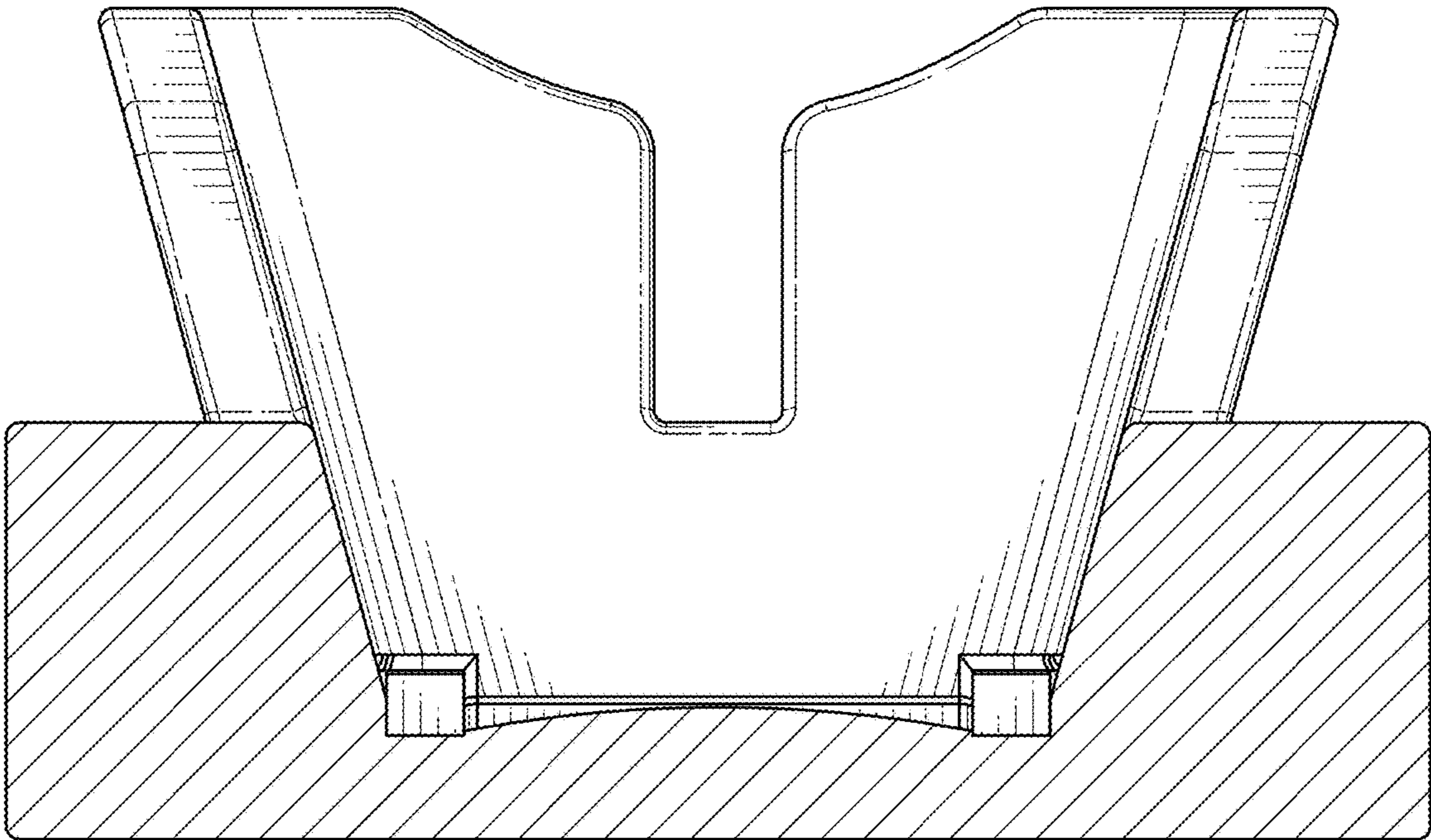


FIG. 9

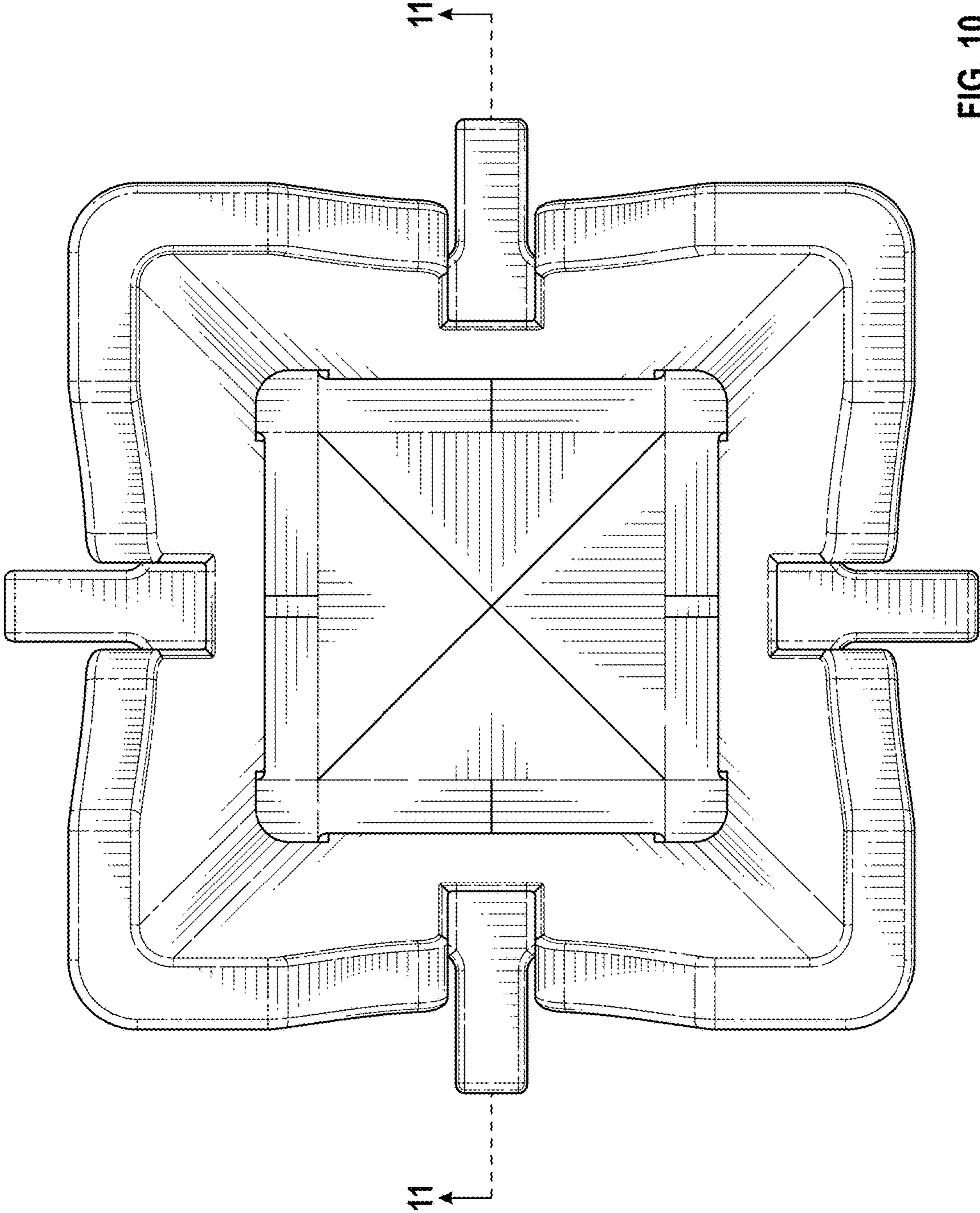


FIG. 10

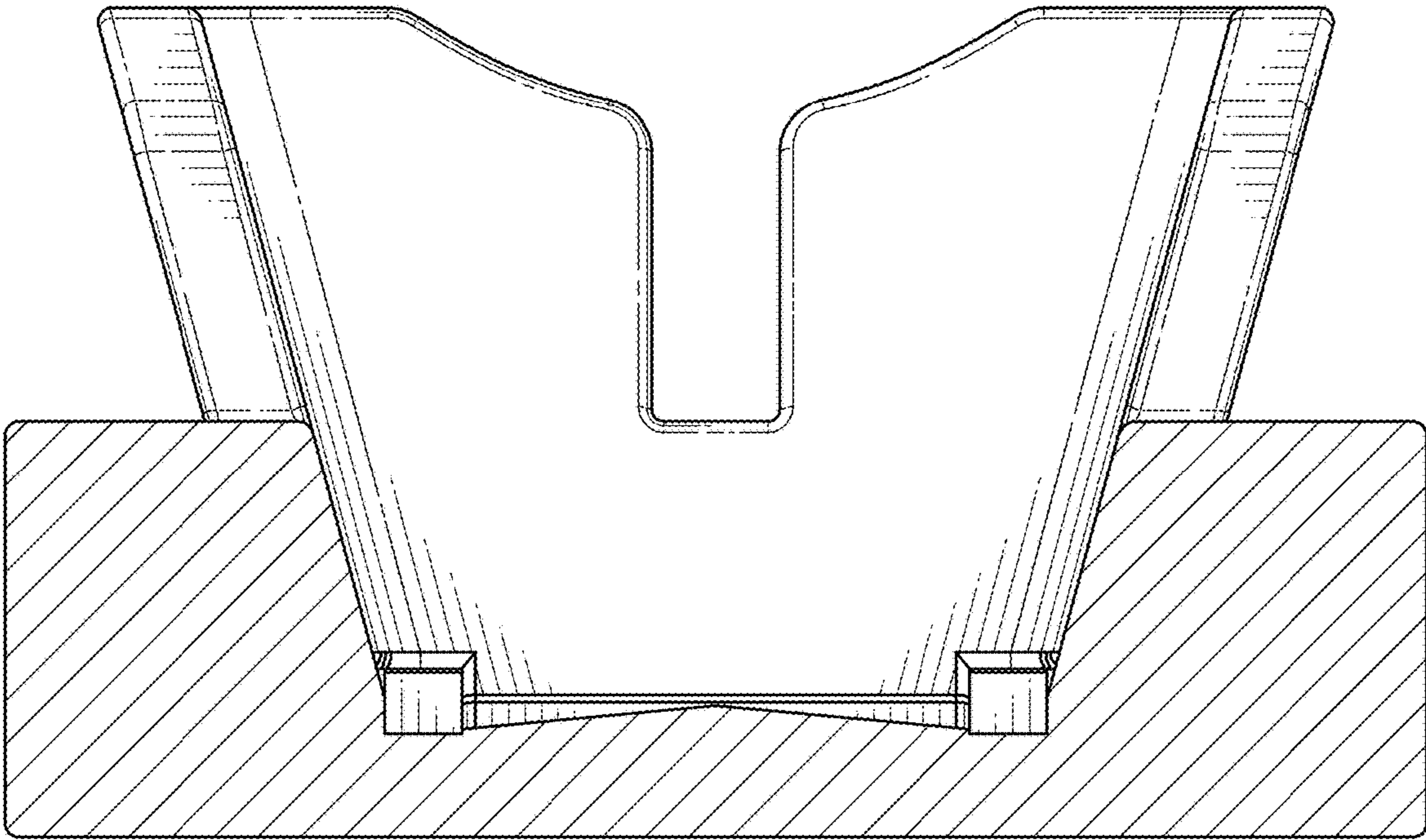


FIG. 11

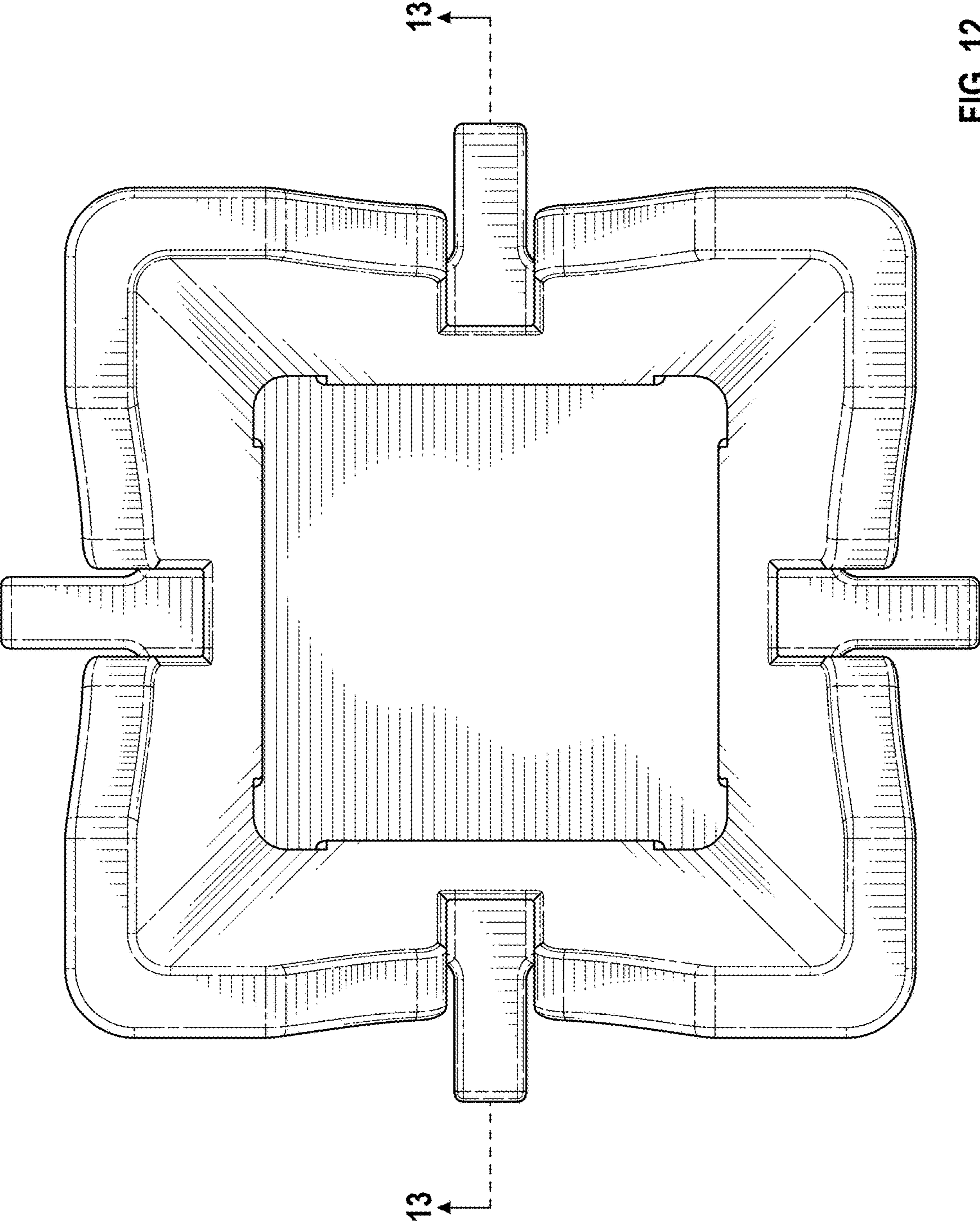


FIG. 12

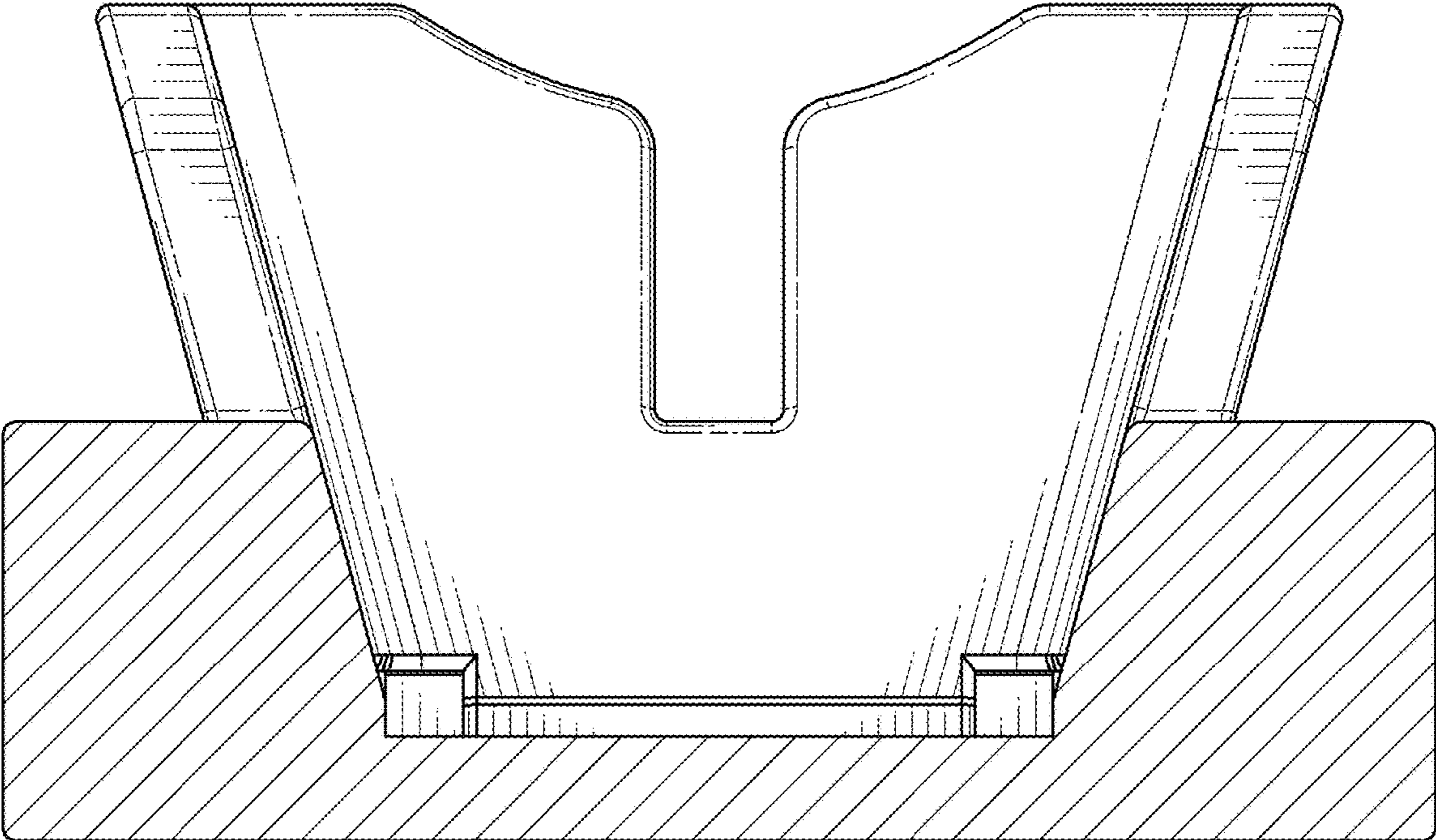


FIG. 13

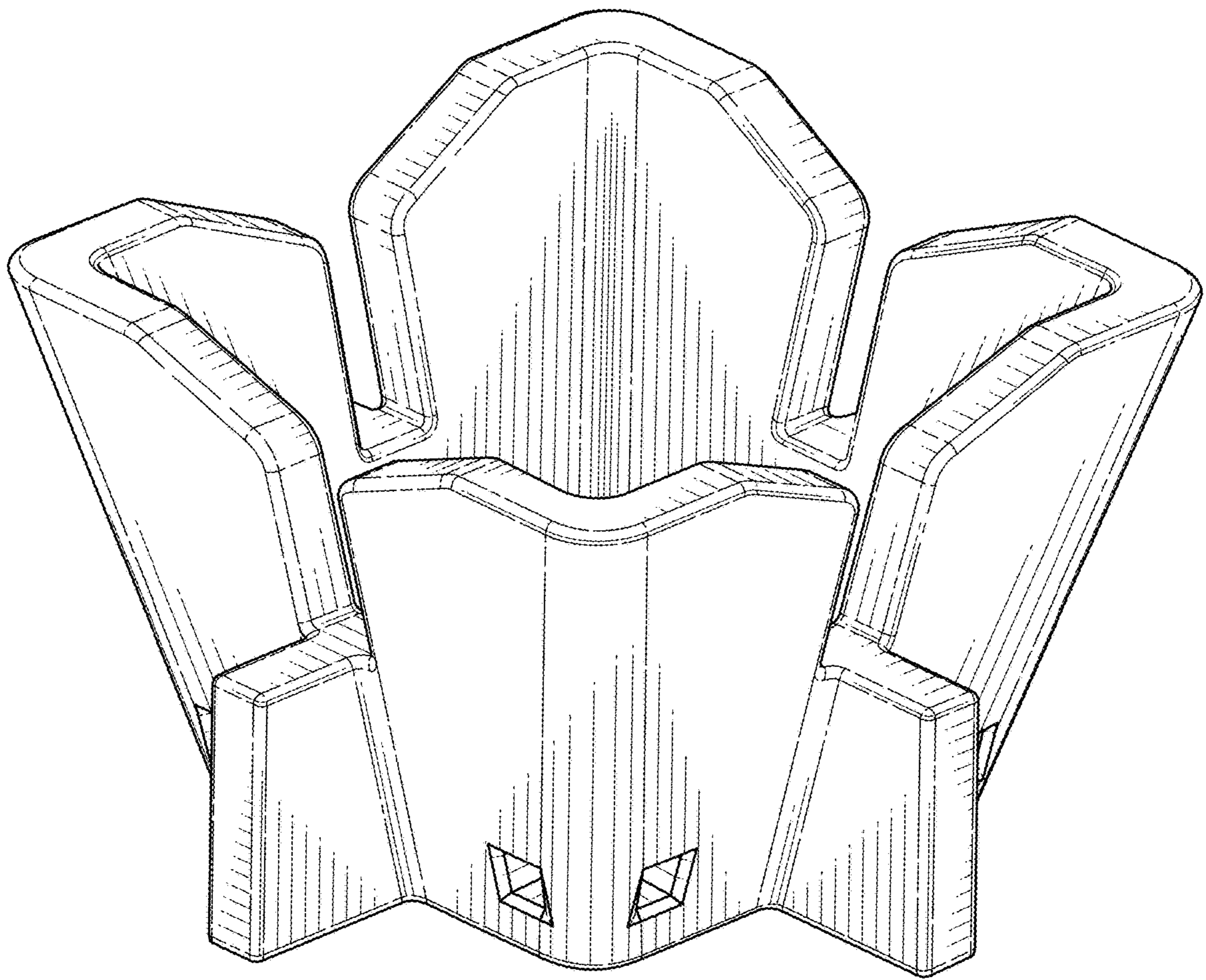


FIG. 14