



US00D807726S

(12) **United States Design Patent** (10) **Patent No.:** **US D807,726 S**
Kodgule et al. (45) **Date of Patent:** **** Jan. 16, 2018**

(54) **MOUNTING SUPPORT**
(71) Applicant: **Cummins Emission Solutions, Inc.**,
Columbus, IN (US)
(72) Inventors: **Nikhil S. Kodgule**, Columbus, IN (US);
Michael Lynch, Mineral Point, WI
(US); **Ryan Robert Welch**, Wauwatosa,
WI (US); **Patrick Thelen**, McFarland,
WI (US)
(73) Assignee: **CUMMINS EMISSION**
SOLUTIONS, INC., Columbus, IN
(US)
(**) Term: **14 Years**
(21) Appl. No.: **29/524,215**
(22) Filed: **Apr. 17, 2015**
(51) **LOC (11) Cl.** **08-08**
(52) **U.S. Cl.**
USPC **D8/349**
(58) **Field of Classification Search**
USPC D8/349, 354, 363, 366, 371, 394;
D23/269
CPC . F01N 3/2066; F01N 3/28; F01N 3/39; F01N
13/143; F01N 13/185; B01D 53/9431;
Y02T 10/24
See application file for complete search history.

D534,253 S * 12/2006 Sandman D23/269
D536,071 S * 1/2007 Wortmann D23/269
D548,048 S * 8/2007 Sherrard D8/349
D556,866 S * 12/2007 Darce D23/269
D557,771 S * 12/2007 Darce D23/269
D560,469 S * 1/2008 Bartol D8/349
D574,934 S * 8/2008 Darce D23/269
D614,272 S * 4/2010 Henry D23/269
D648,427 S * 11/2011 Bowman D23/269
D655,797 S * 3/2012 Muramatsu D23/269
D696,751 S * 12/2013 Beagen, Jr. D23/269
D706,908 S * 6/2014 Knapp D23/269

(Continued)

OTHER PUBLICATIONS

Non-Final Office Action issued in U.S. Appl. No. 15/140,743 dated Nov. 16, 2017 (including U.S. Patent Publication No. 2006/0067860, cited in Office Action).

Primary Examiner — Mark Goodwin
(74) *Attorney, Agent, or Firm* — Foley & Lardner LLP

(57) **CLAIM**

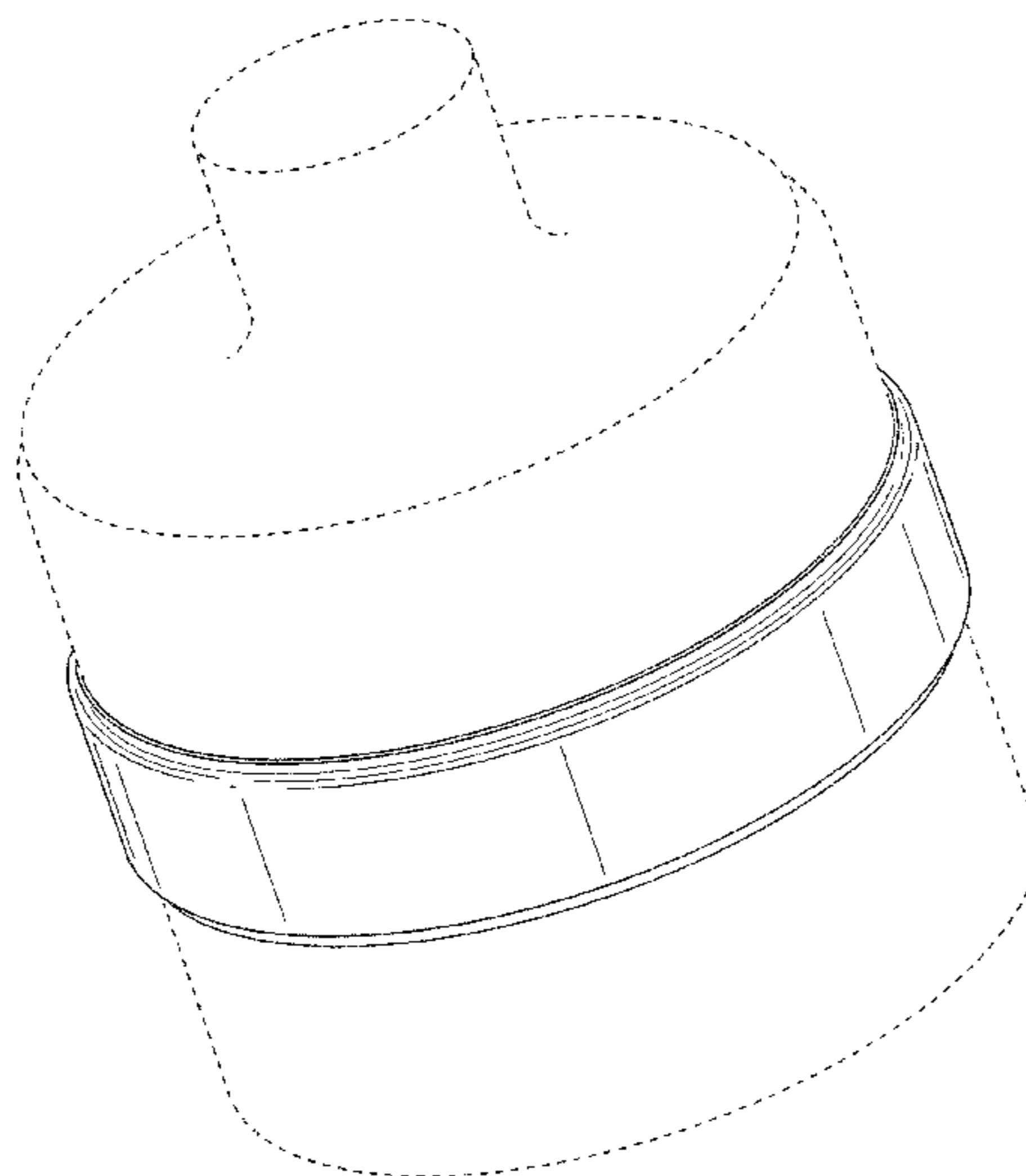
We claim the ornamental design for a mounting support, as shown and described.

DESCRIPTION

FIG. 1 is a perspective view of the claimed design according to an embodiment;
FIG. 2 is a top plan view thereof;
FIG. 3 is a bottom plan view thereof;
FIG. 4 is a right side elevation view thereof;
FIG. 5 is a left side elevation view thereof;
FIG. 6 is a front elevation view thereof; and,
FIG. 7 is a rear elevation view thereof.
The ornamental design which is claimed is shown in solid lines in the drawings. The broken lines formed by dashes show unclaimed subject matter and form no part of the claimed design. The internal surface of the mounting support is devoid of any ornamentation.

1 Claim, 7 Drawing Sheets

(56) **References Cited**
U.S. PATENT DOCUMENTS
D28,301 S * 2/1898 Gurnee D3/26
2,683,579 A * 7/1954 Wallace A47J 47/19
220/630
D285,044 S * 8/1986 Mockett D8/349
D285,109 S * 8/1986 Jornhagen D23/269
D285,247 S * 8/1986 Jornhagen D23/269
D289,078 S * 3/1987 Vassallo D23/269
D356,456 S * 3/1995 Henry D11/39
D362,902 S * 10/1995 Reiber D23/269



(56)

References Cited

U.S. PATENT DOCUMENTS

D715,412 S * 10/2014 Sgherri D23/259
D724,424 S * 3/2015 Wilk D3/247
D728,757 S * 5/2015 Graham D23/269
D737,415 S * 8/2015 Sato D23/269
D767,565 S * 9/2016 Francis D11/4
D785,144 S * 4/2017 Kitagawa D23/269
2008/0136172 A1* 6/2008 Roe F01N 3/106
285/113
2015/0061286 A1* 3/2015 Niaz F01N 3/2892
285/332
2016/0305299 A1* 10/2016 Kodgule F01N 3/2066

* cited by examiner

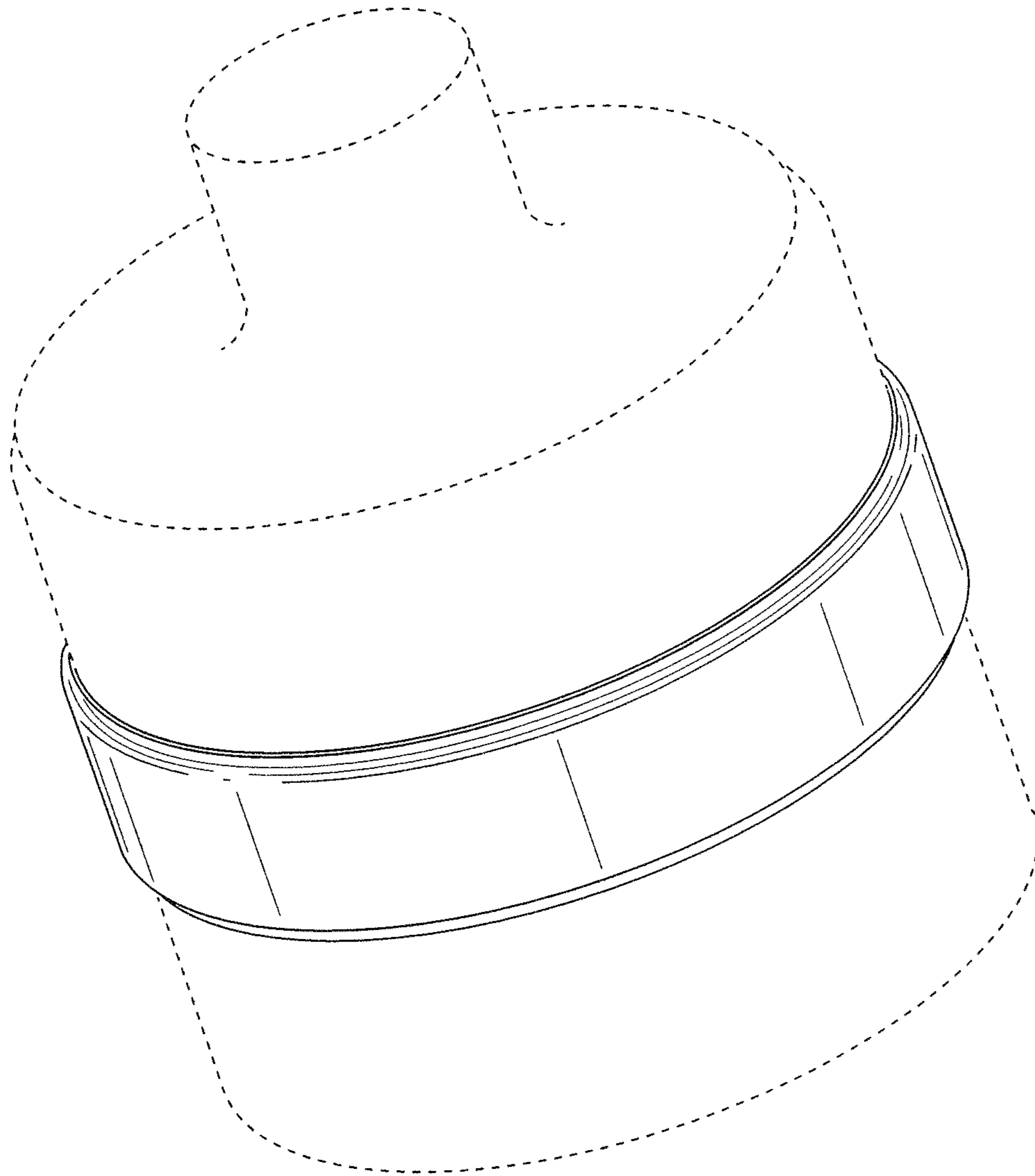
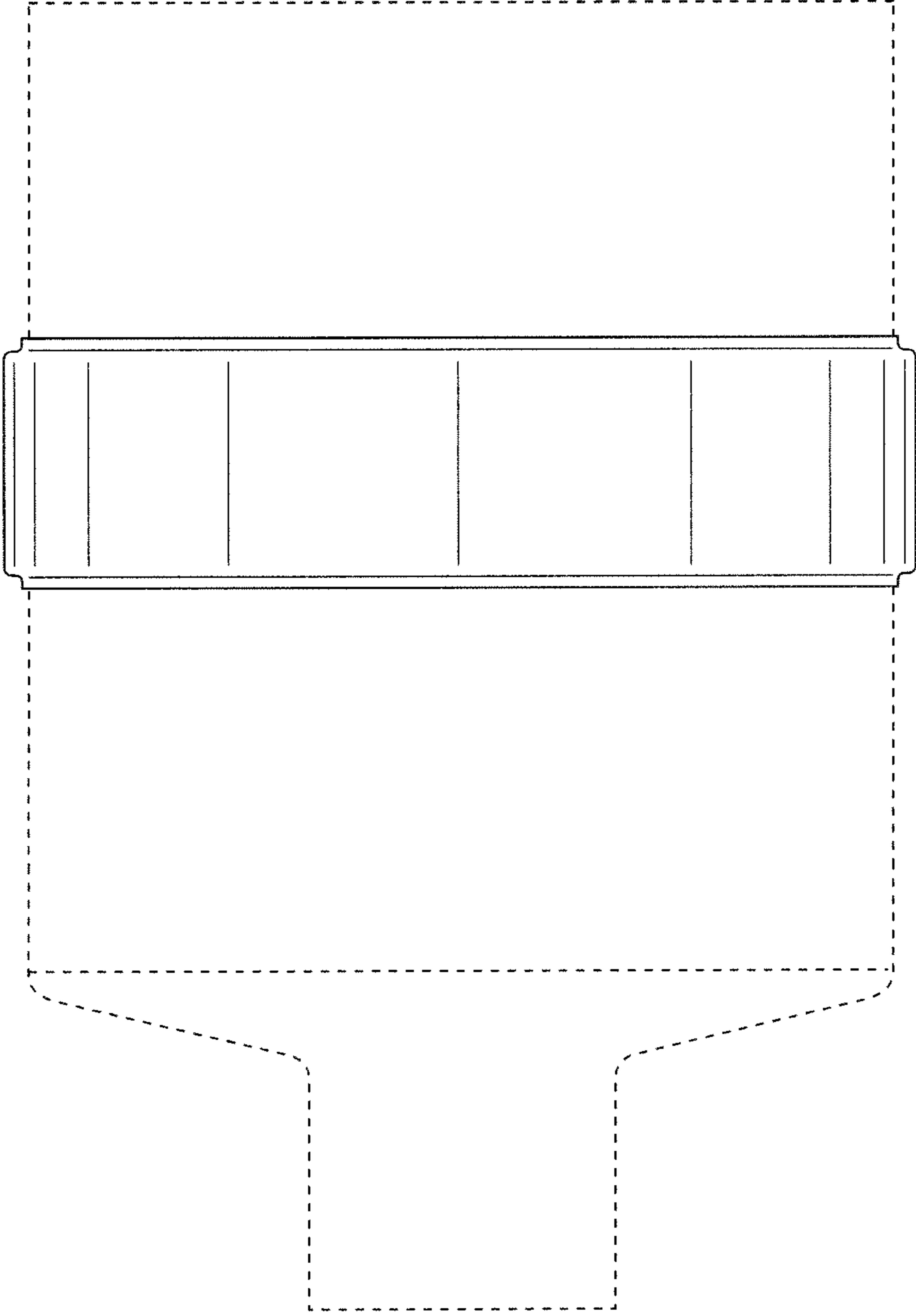


FIG. 1

FIG. 2



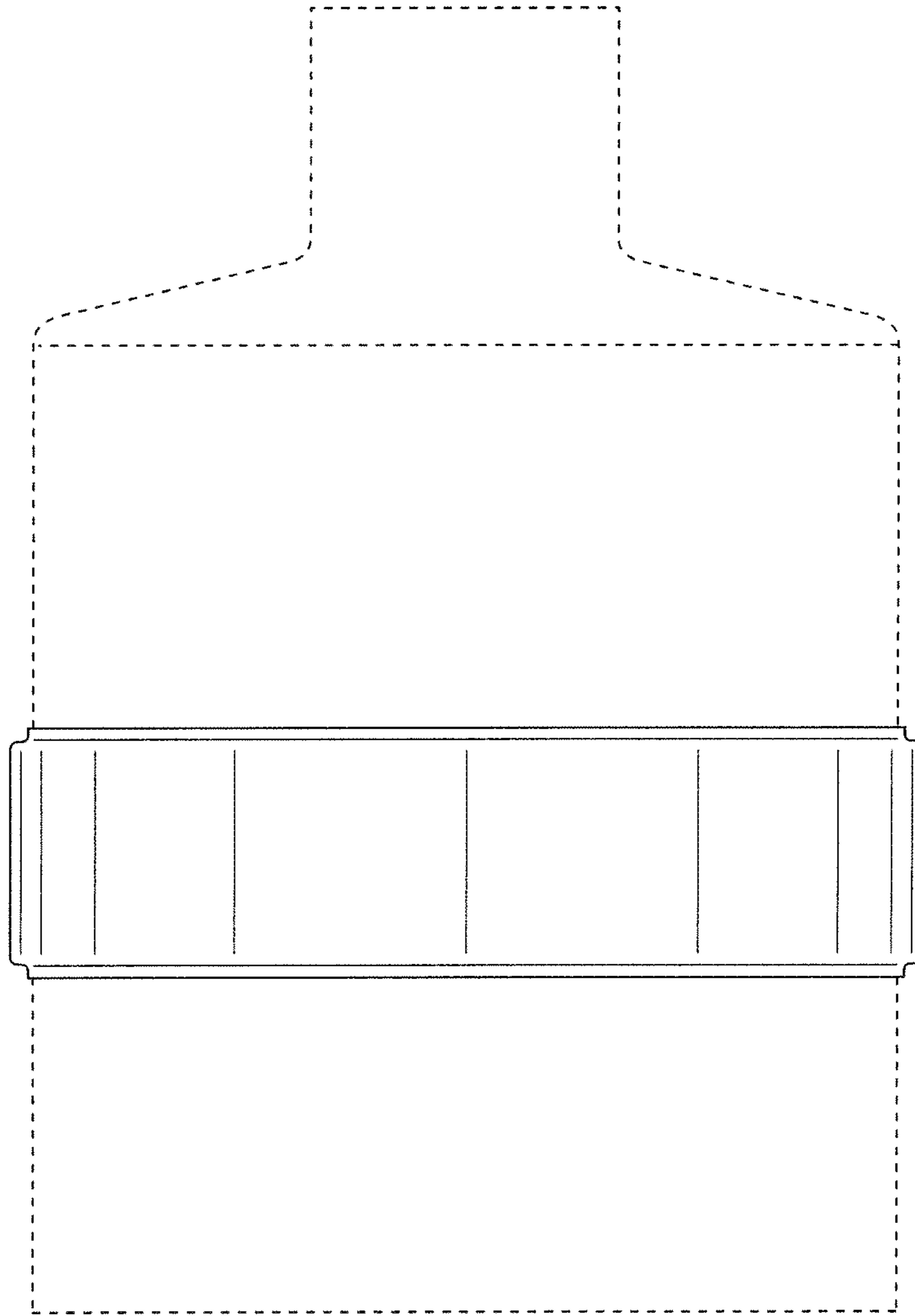


FIG. 3

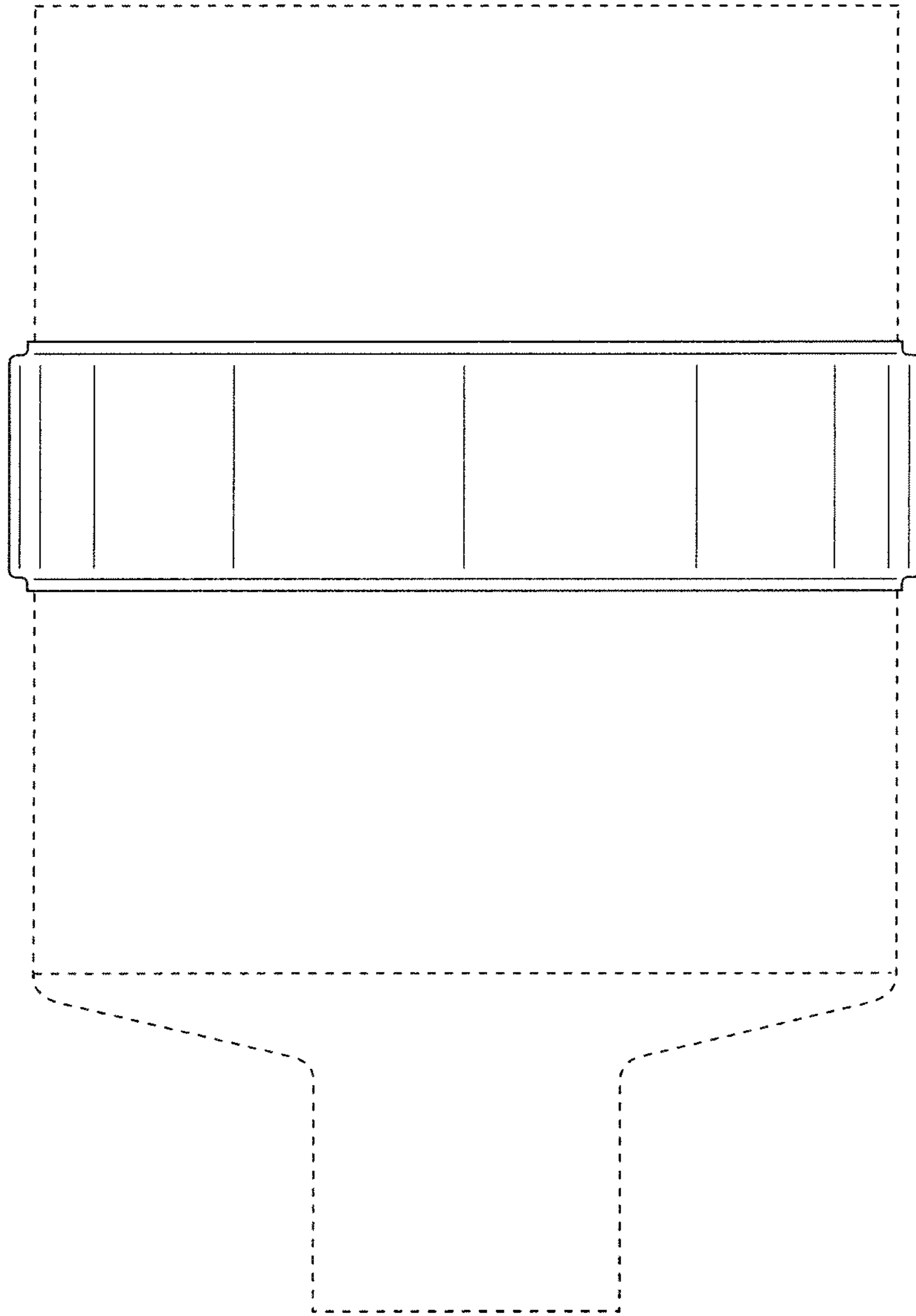


FIG. 4

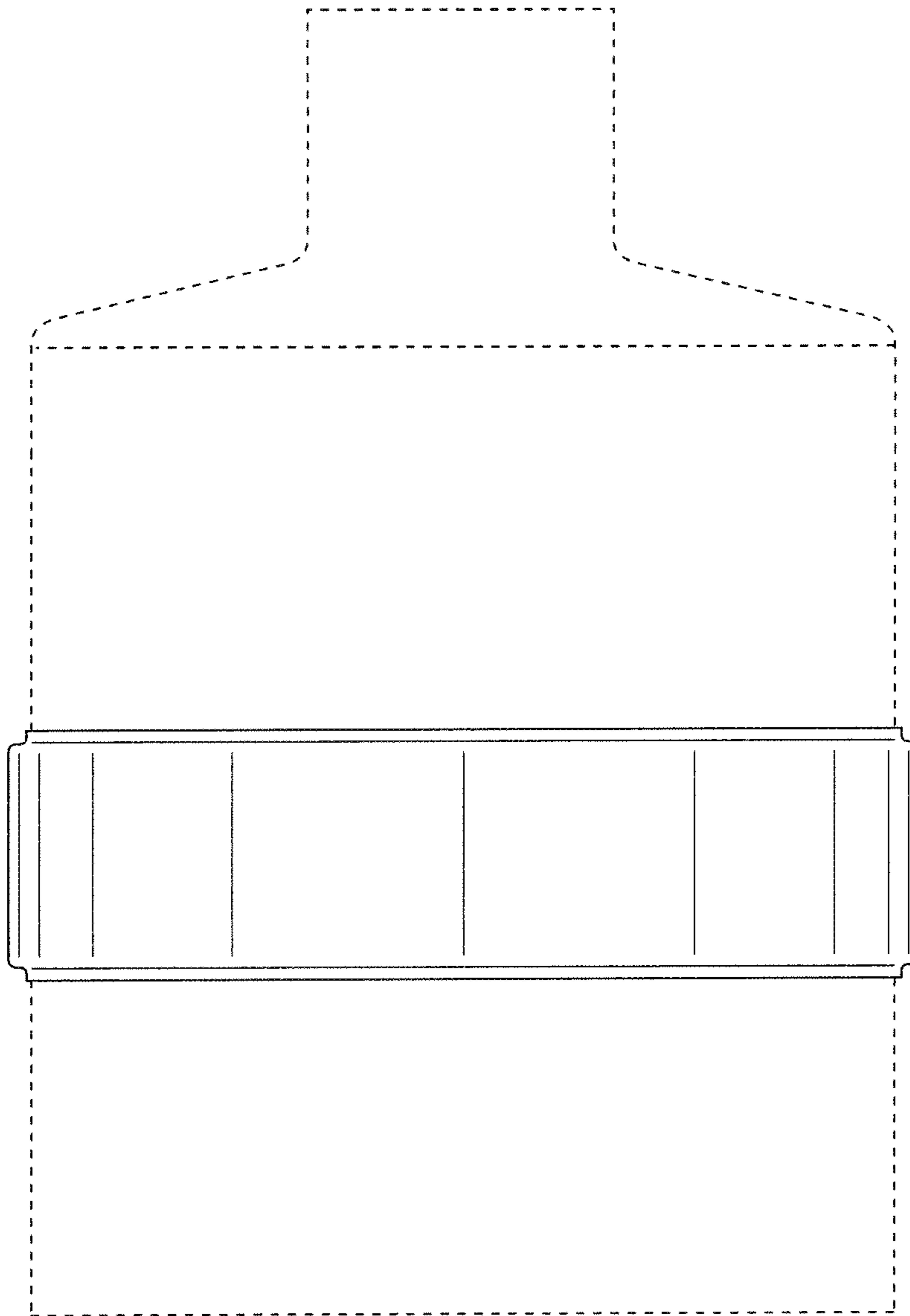


FIG. 5

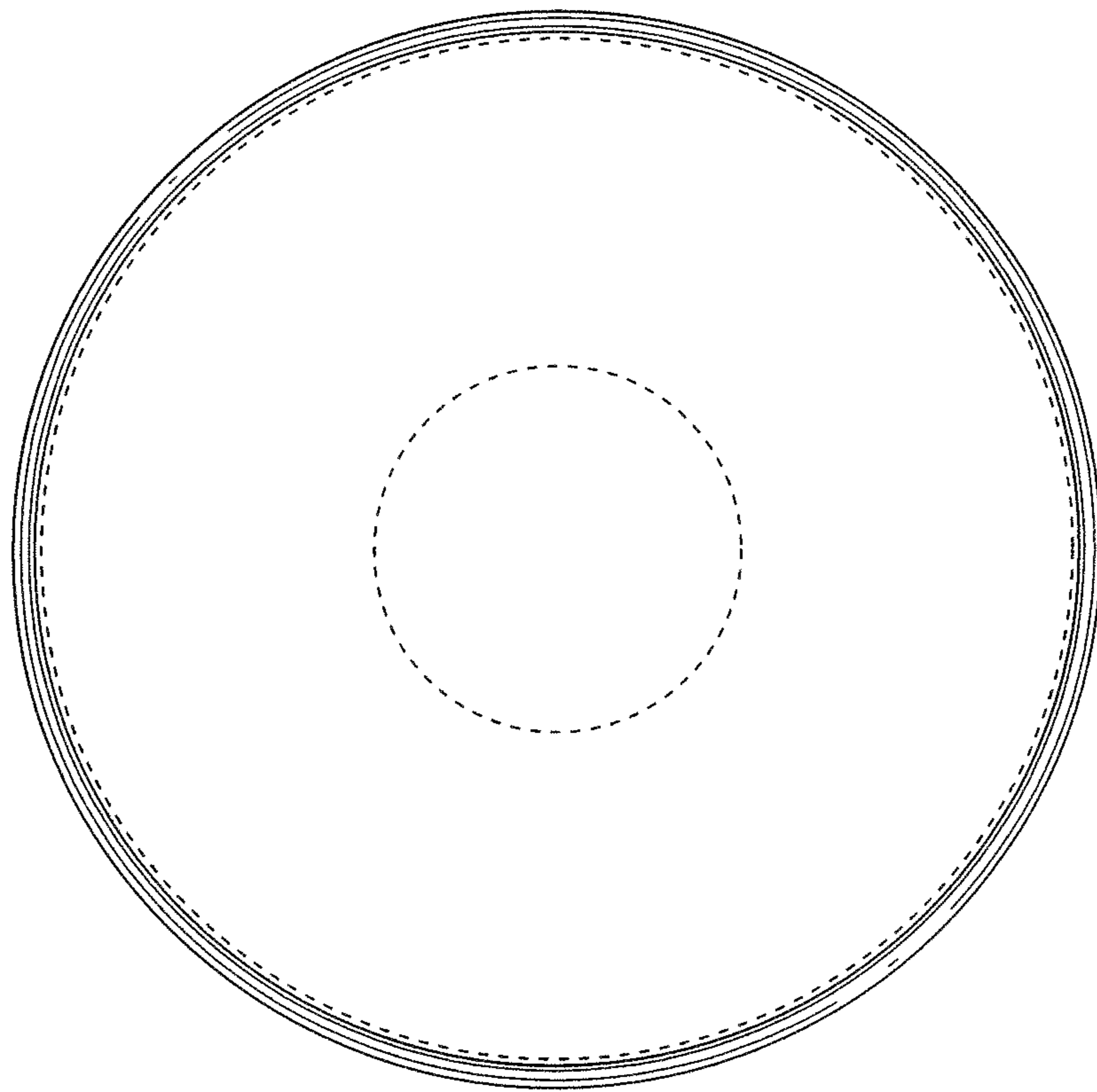


FIG. 6

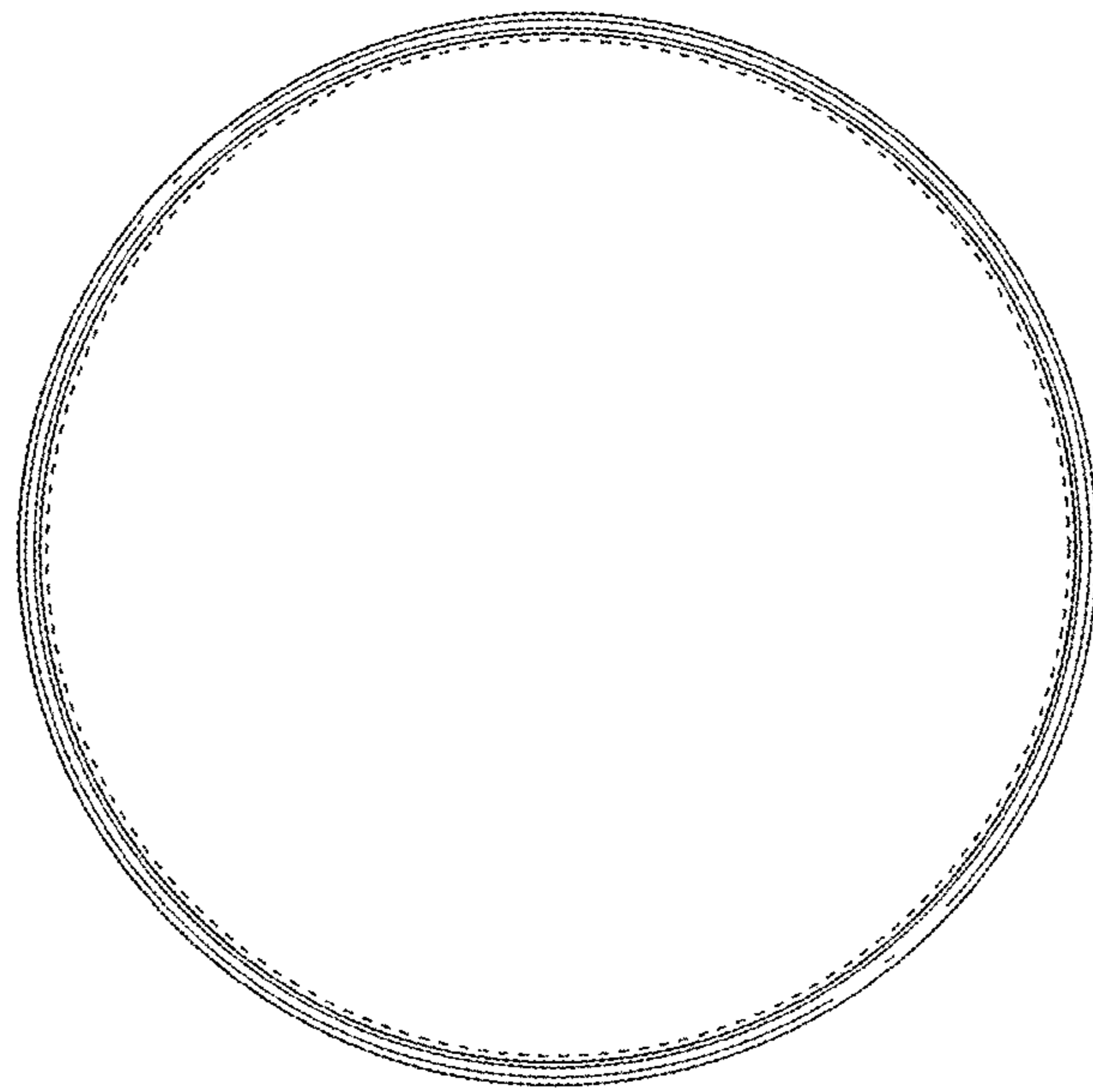


FIG. 7