



US00D807723S

(12) **United States Design Patent**
Constantine et al.

(10) **Patent No.:** **US D807,723 S**
(45) **Date of Patent:** **** Jan. 16, 2018**

- (54) **FOLDING KNIFE**
- (71) Applicant: **ACME UNITED CORPORATION**,
Fairfield, CT (US)
- (72) Inventors: **Richard Steven Constantine**, Monroe,
CT (US); **Michael Cioffi**, Fairfield, CT
(US); **Aaron Brookhart**, St. Louis, MO
(US); **Jordan Westerberg**, St. Louis,
MO (US); **Brandon Trostrud**, St.
Louis, MO (US); **Brandon Hefer**, St.
Louis, MO (US)
- (73) Assignee: **ACME United Corporation**, Fairfield,
CT (US)
- (**) Term: **15 Years**
- (21) Appl. No.: **29/590,904**
- (22) Filed: **Jan. 13, 2017**
- (51) **LOC (11) Cl.** **08-03**
- (52) **U.S. Cl.**
USPC **D8/99**
- (58) **Field of Classification Search**
USPC D8/98, 99, 100, 105, 107; D22/118
CPC B26B 1/00; B26B 1/02; B26B 1/04; B26B
1/042; B26B 1/044; B26B 1/048; B26B
1/08; B26B 1/10
See application file for complete search history.

- D613,574 S * 4/2010 Pohl D8/99
- D636,051 S * 4/2011 Freeman D22/118
- D653,520 S * 2/2012 Chang D8/99
- 8,291,597 B2 * 10/2012 Hawk B26B 1/048
30/155
- 8,464,382 B2 * 6/2013 Chu B26B 11/006
7/118
- D750,948 S * 3/2016 Pelton D8/99
- D784,485 S * 4/2017 Nawaz D22/118
- 2004/0020058 A1 * 2/2004 Vallotton B26B 1/044
30/160
- 2005/0044717 A1 * 3/2005 Nishihara B26B 1/04
30/161

* cited by examiner

Primary Examiner — Philip S Hyder

(74) *Attorney, Agent, or Firm* — Bond Schoeneck &
King, PLLC; George McGuire

(57) **CLAIM**

The ornamental design for a folding knife, as shown and
described.

DESCRIPTION

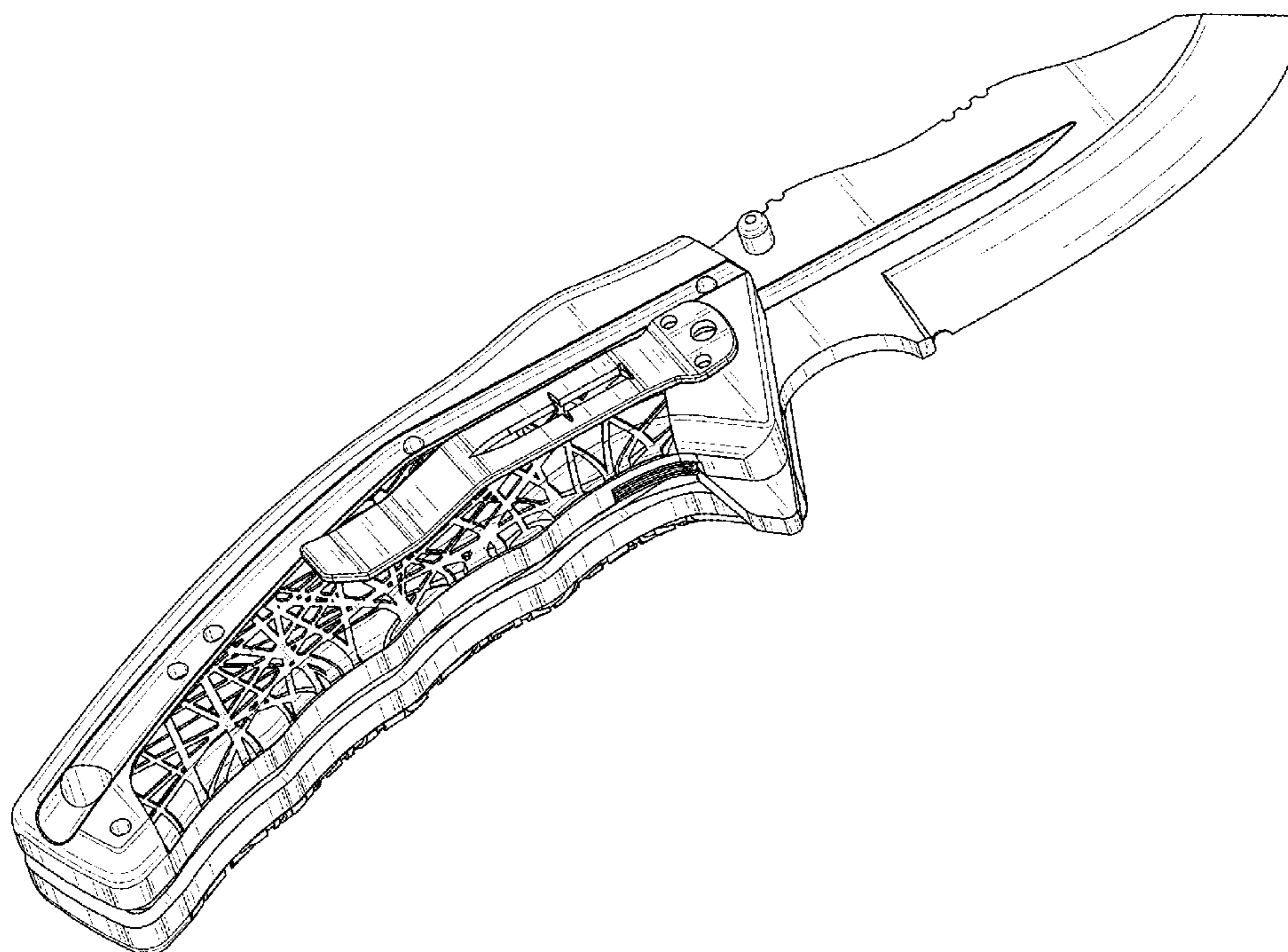
FIG. 1 is a perspective view of a folding knife showing our
new design;
FIG. 2 is a first side elevation view thereof;
FIG. 3 is a second side elevation view thereof;
FIG. 4 is a front elevation view thereof;
FIG. 5 is a rear elevation view thereof;
FIG. 6 is a top plan view thereof;
FIG. 7 is a bottom plan view thereof; and,
FIG. 8 is a second perspective view thereof.

1 Claim, 6 Drawing Sheets

(56) **References Cited**

U.S. PATENT DOCUMENTS

- D348,599 S * 7/1994 Sakai D22/118
- D599,641 S * 9/2009 Yang-Fu D8/99



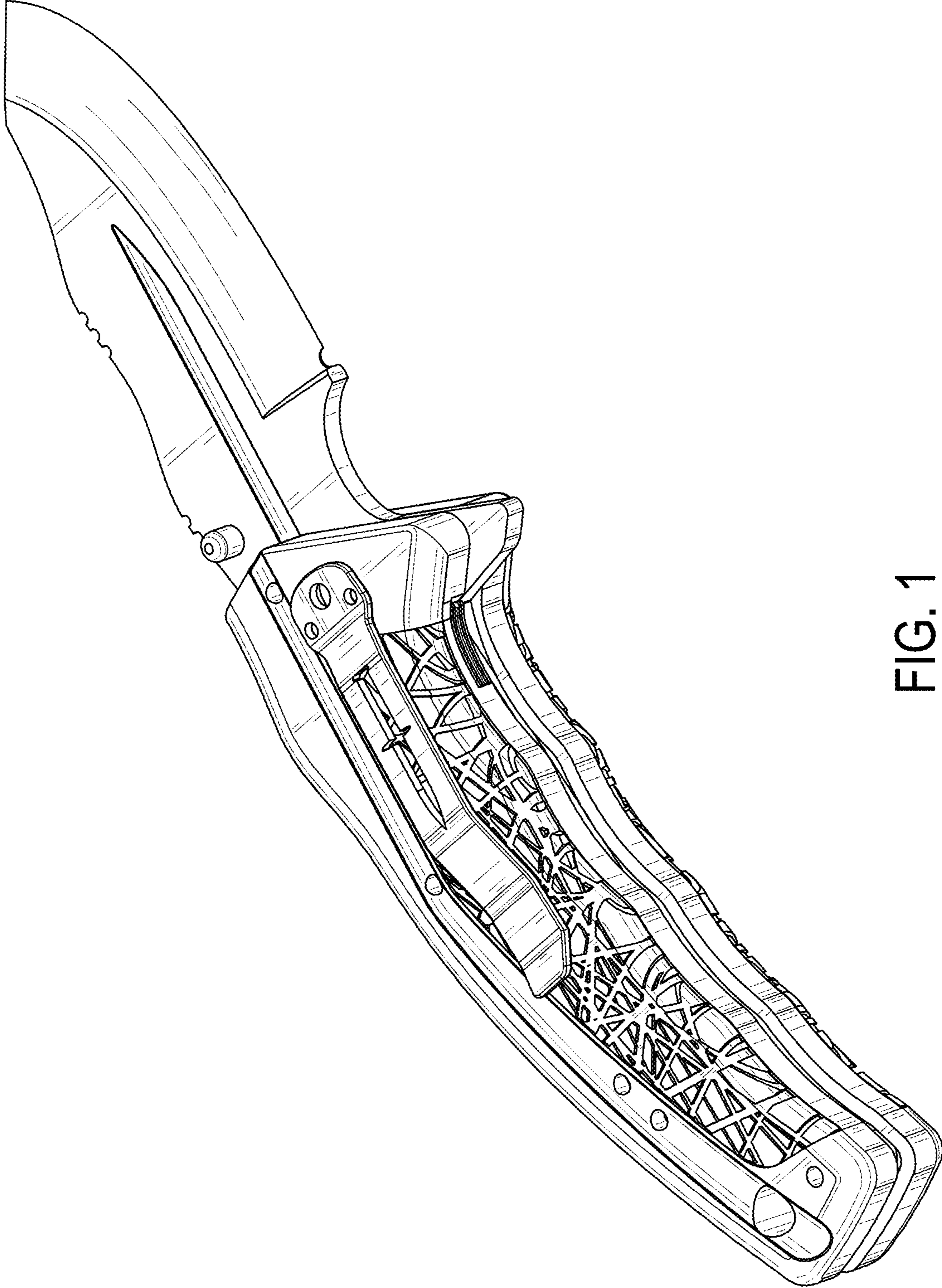


FIG. 1

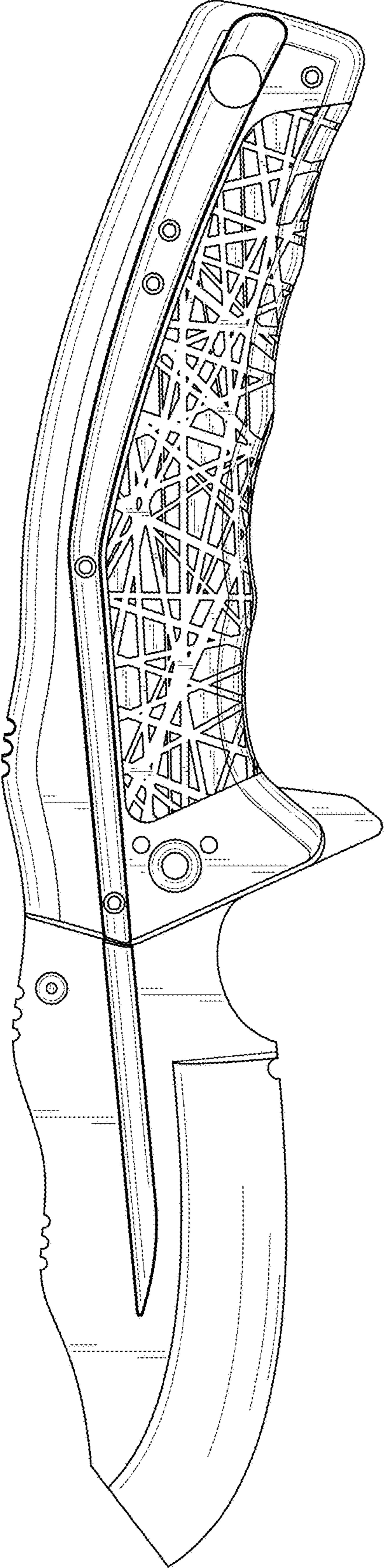


FIG. 2

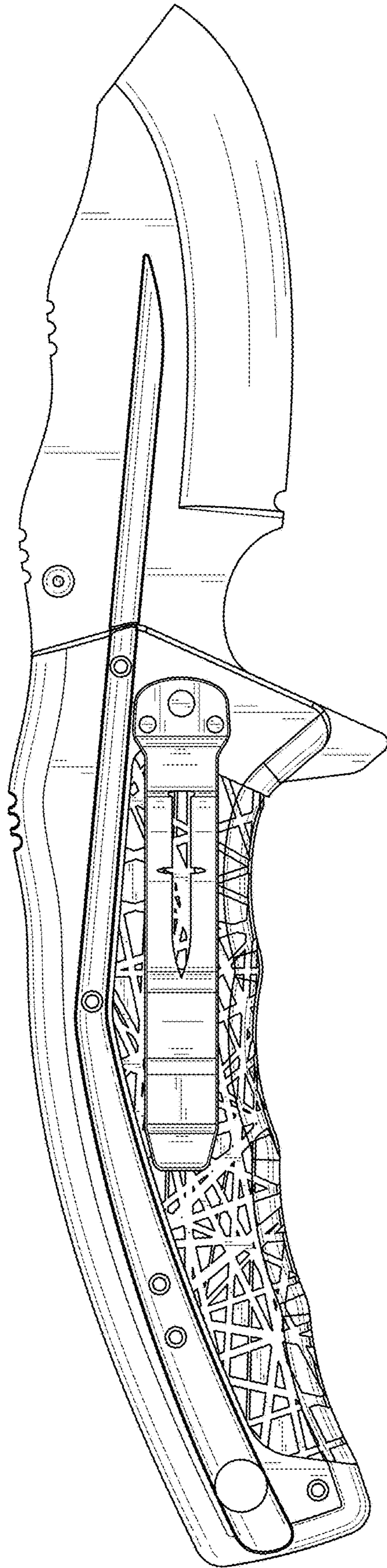


FIG. 3

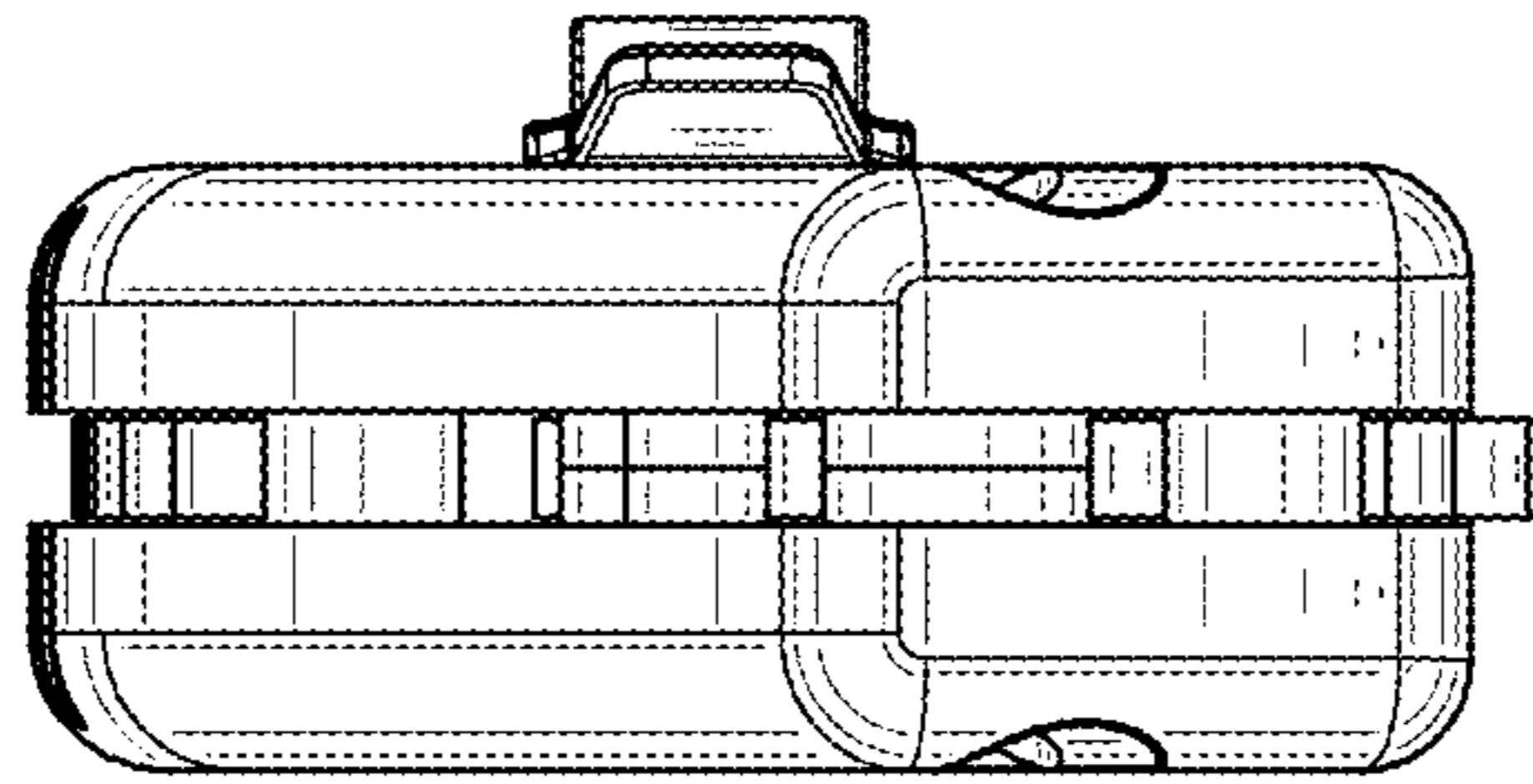


FIG. 5

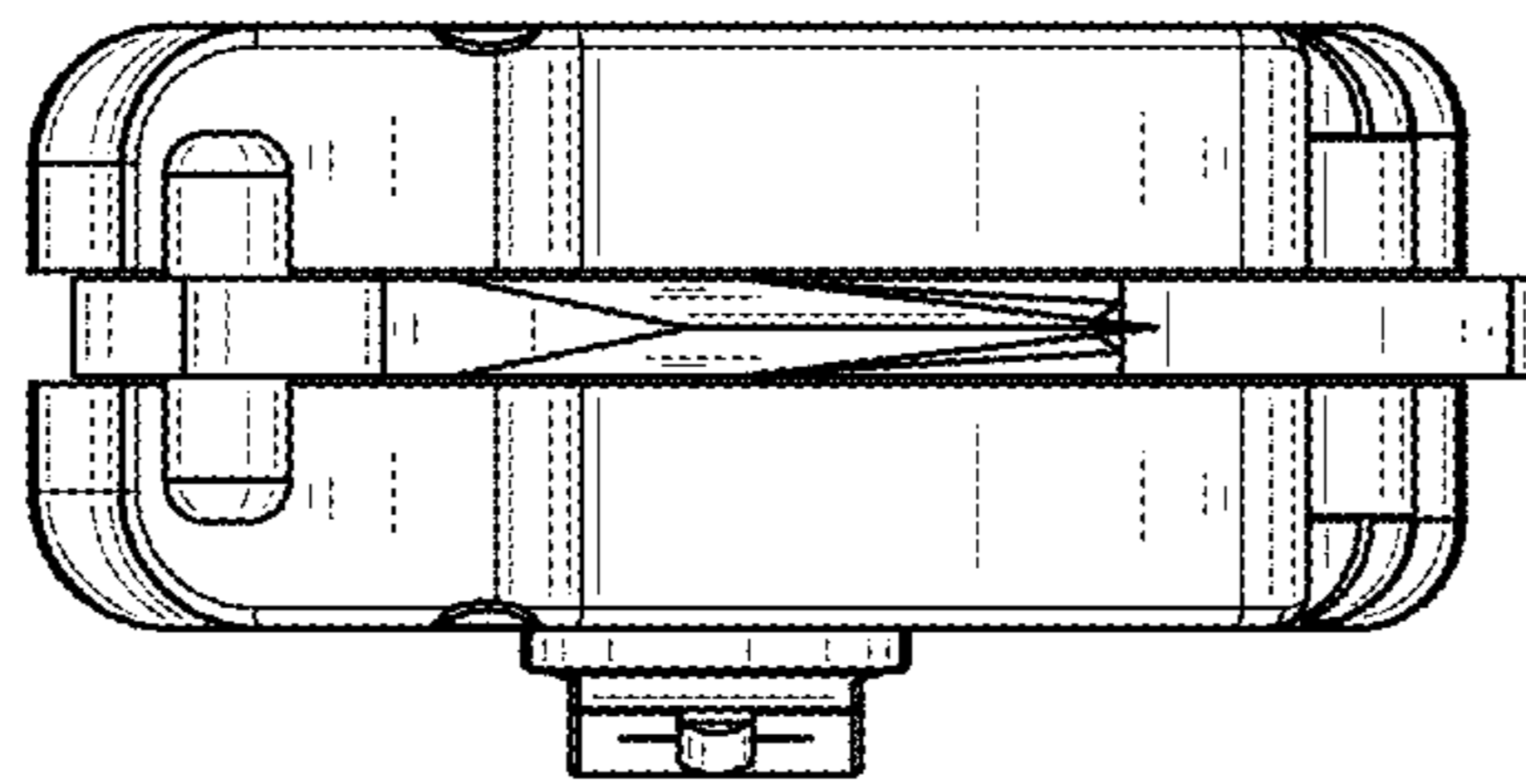


FIG. 4

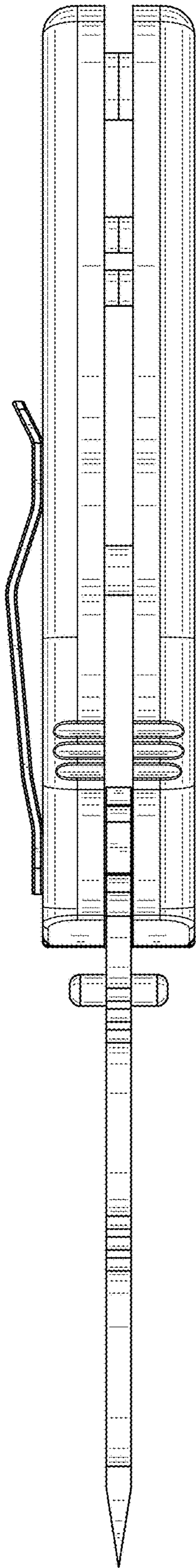


FIG. 6

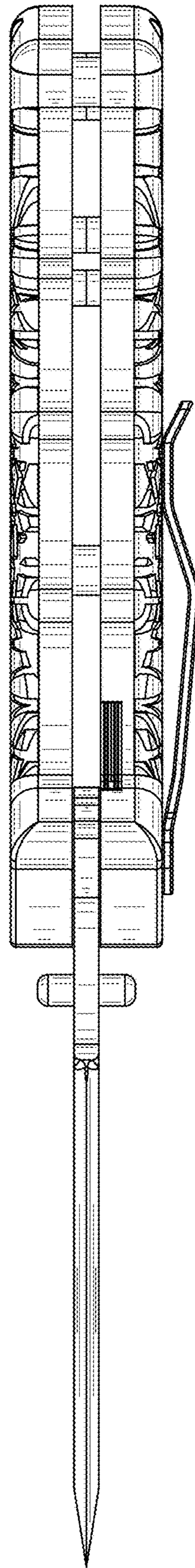


FIG. 7

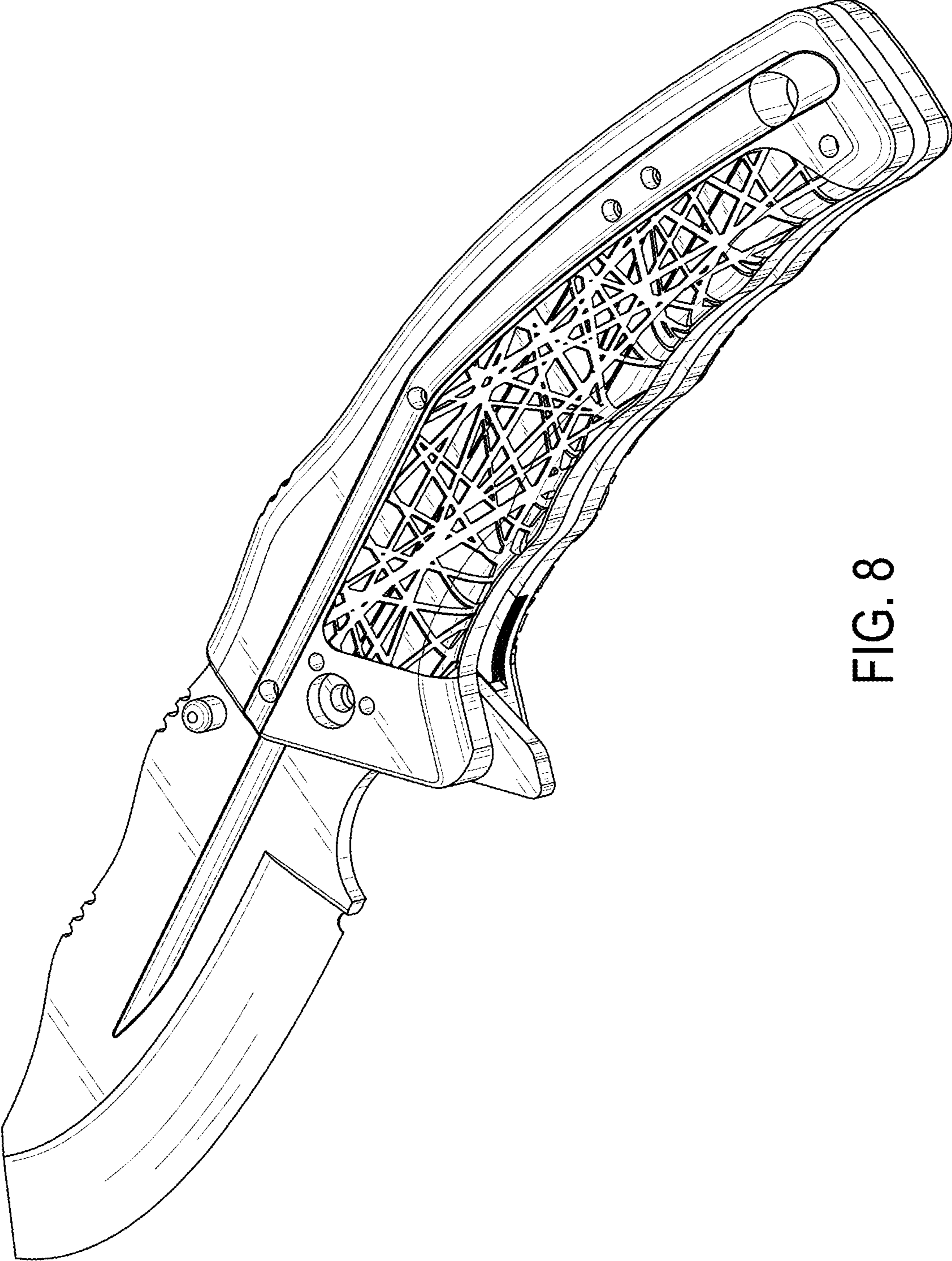


FIG. 8