



US00D807721S

(12) **United States Design Patent**  
**Contreras**

(10) **Patent No.:** **US D807,721 S**  
(45) **Date of Patent:** **\*\* Jan. 16, 2018**

- (54) **HAMMER**
- (71) Applicant: **Juan Contreras**, Ramseur, NC (US)
- (72) Inventor: **Juan Contreras**, Ramseur, NC (US)
- (\*\*) Term: **15 Years**
- (21) Appl. No.: **29/542,395**
- (22) Filed: **Oct. 14, 2015**
- (51) **LOC (11) Cl.** ..... **08-02**
- (52) **U.S. Cl.**  
USPC ..... **D8/75**
- (58) **Field of Classification Search**  
USPC ..... D8/75-81, 107, 303, 307; D22/117;  
81/19-26, 489-490; 254/26 R; D7/395  
CPC .... B23K 9/28; B25F 1/00; B25D 1/00; B25D  
1/02; B25D 1/04; B25D 1/045; B25D  
1/06; B25D 1/12; B25G 1/02  
See application file for complete search history.

- 3,130,762 A \* 4/1964 Kerr ..... B25D 1/02  
473/329
- 3,456,330 A \* 7/1969 Norcross ..... B25D 1/02  
164/98
- 3,942,567 A \* 3/1976 Richilano ..... B22D 19/00  
81/19
- 4,079,764 A 3/1978 Hayes
- 4,139,930 A \* 2/1979 Cox ..... B25D 1/00  
30/308.1
- D285,284 S \* 8/1986 Blomqvist ..... D8/77
- D292,480 S 10/1987 Smirne
- D302,932 S \* 8/1989 Chapin ..... D8/75
- 4,966,056 A 10/1990 Miller
- D339,972 S \* 10/1993 Forman ..... D8/77
- D404,631 S \* 1/1999 Beam ..... D8/77
- D413,780 S \* 9/1999 Beam ..... D8/75
- D463,725 S \* 10/2002 Wroblewski ..... D8/77
- D490,679 S \* 6/2004 Hung ..... D8/77
- D565,378 S \* 4/2008 Zubiaurre Alberdi ..... D8/77
- D585,718 S \* 2/2009 Simmons ..... D8/75
- D649,246 S \* 11/2011 Prichett ..... D24/142
- D651,886 S \* 1/2012 Clement ..... D8/77

(Continued)

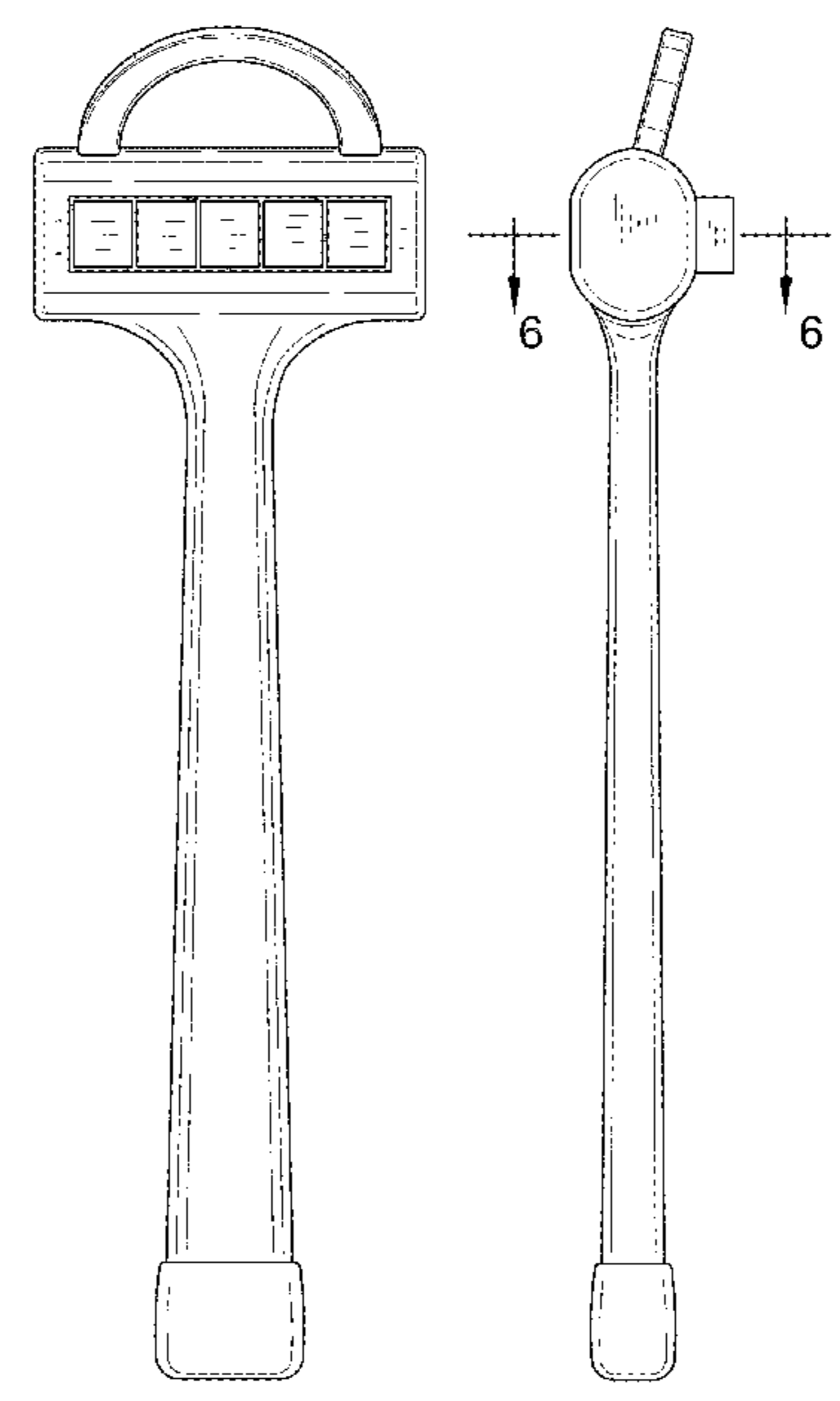
*Primary Examiner* — Philip S Hyder  
*Assistant Examiner* — Roselynn Cody

- (56) **References Cited**  
U.S. PATENT DOCUMENTS  
D3,556 S \* 6/1869 Bullock ..... D21/728  
956,746 A 7/1910 Richards  
1,042,177 A \* 10/1912 Vredenburg ..... B25D 1/04  
254/26 R  
2,127,665 A 8/1938 Leslie  
D161,034 S \* 11/1950 Marthinsen ..... 81/26  
D171,400 S \* 2/1954 Hammer ..... D8/77  
2,761,478 A \* 9/1956 Guida ..... B25D 1/02  
81/19  
D179,018 S \* 10/1956 Lowe et al. .... D8/77  
D182,076 S \* 2/1958 MacMinn ..... D21/728  
D182,077 S \* 2/1958 MacMinn ..... D21/728  
D182,132 S \* 2/1958 MacMinn ..... D21/728  
D182,133 S \* 2/1958 MacMinn ..... D21/728  
D185,008 S \* 4/1959 Loew ..... D8/77  
3,088,506 A \* 5/1963 Bianchini ..... B25D 1/02  
81/19

(57) **CLAIM**  
The ornamental design for a hammer, as shown and described.

**DESCRIPTION**  
FIG. 1 is a front view of a hammer showing my new design; FIG. 2 is a rear view of the hammer; FIG. 3 is a left side view of the hammer, a right side view being a mirror image thereof; FIG. 4 is a top view of the hammer; FIG. 5 is a bottom view of the hammer; and, FIG. 6 is a sectional view of the hammer taken along line 6-6 of FIG. 3.

**1 Claim, 3 Drawing Sheets**



(56)

**References Cited**

U.S. PATENT DOCUMENTS

D693,190 S *	11/2013	Spector .....	D7/682
8,826,775 B2	9/2014	Vienneau et al.	
2008/0184494 A1	8/2008	Govotski	
2009/0193938 A1	8/2009	Mentor	
2013/0019718 A1	1/2013	Vienneau et al.	
2014/0066222 A1 *	3/2014	Huang .....	A45B 9/02 473/300
2014/0260813 A1	9/2014	Hossack et al.	

\* cited by examiner

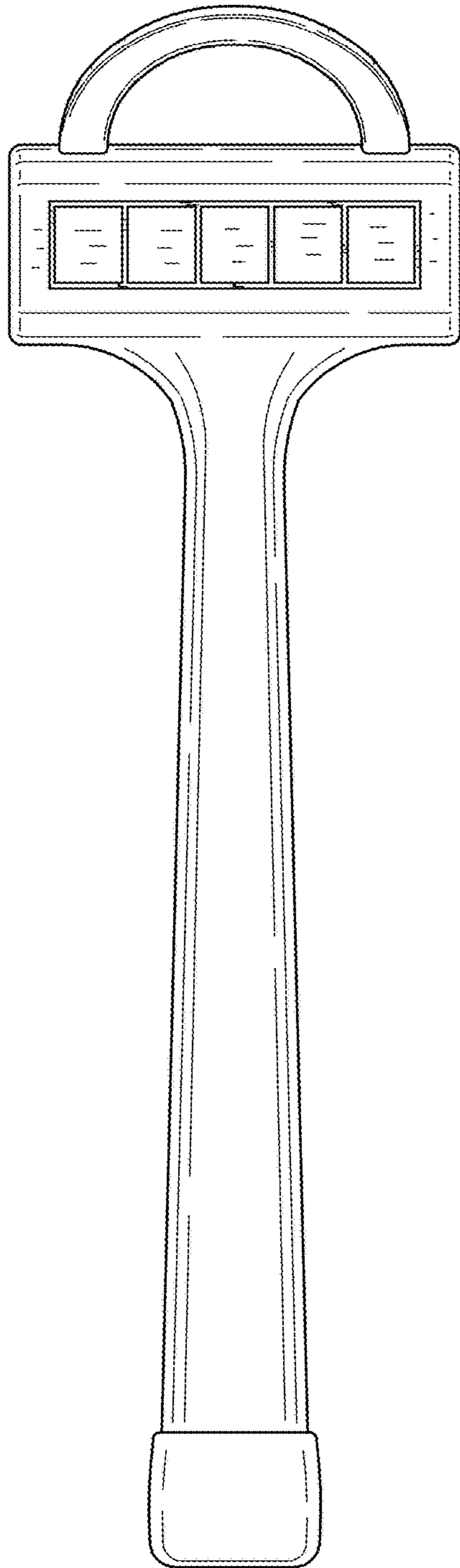


FIG. 1

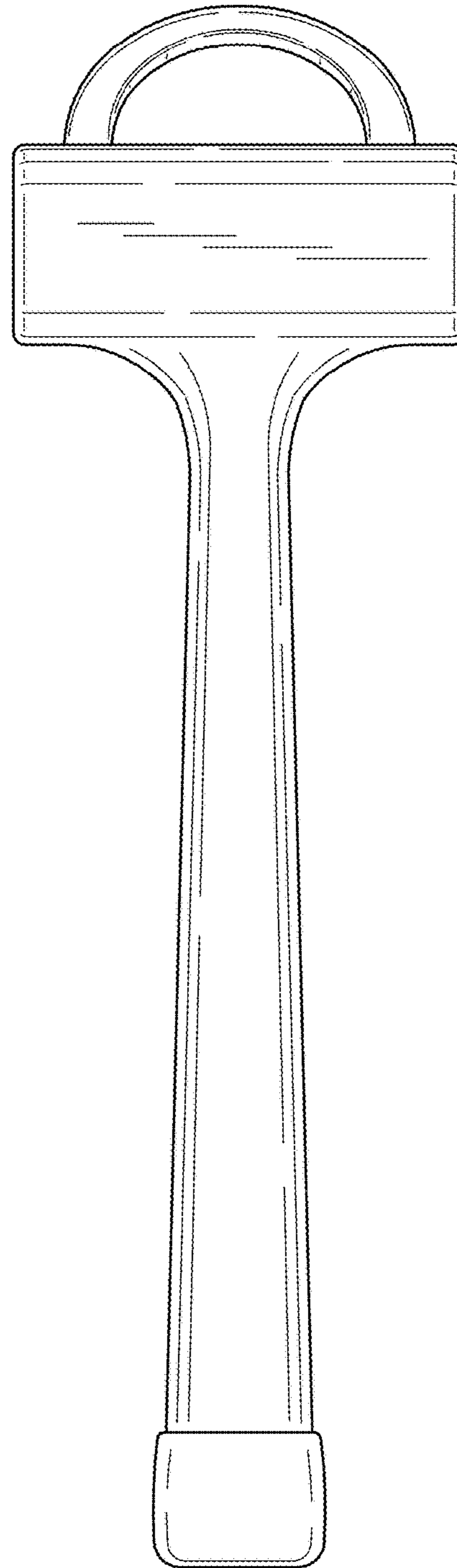


FIG. 2

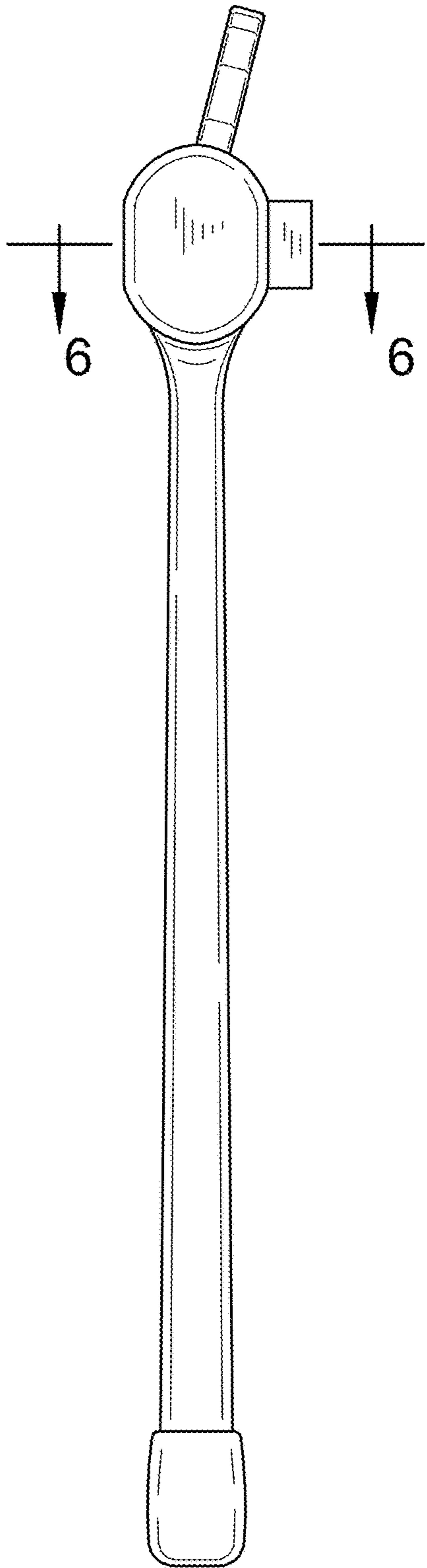


FIG. 3

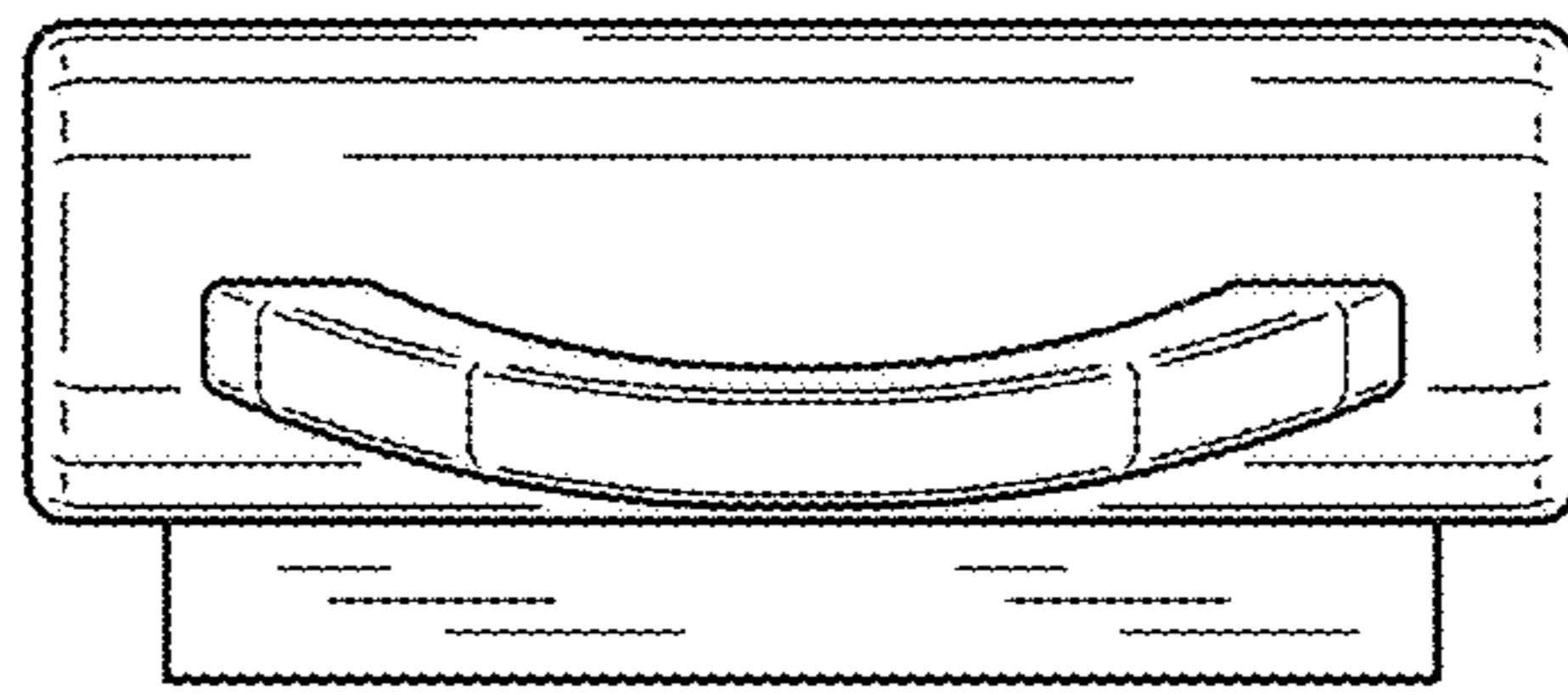


FIG. 4

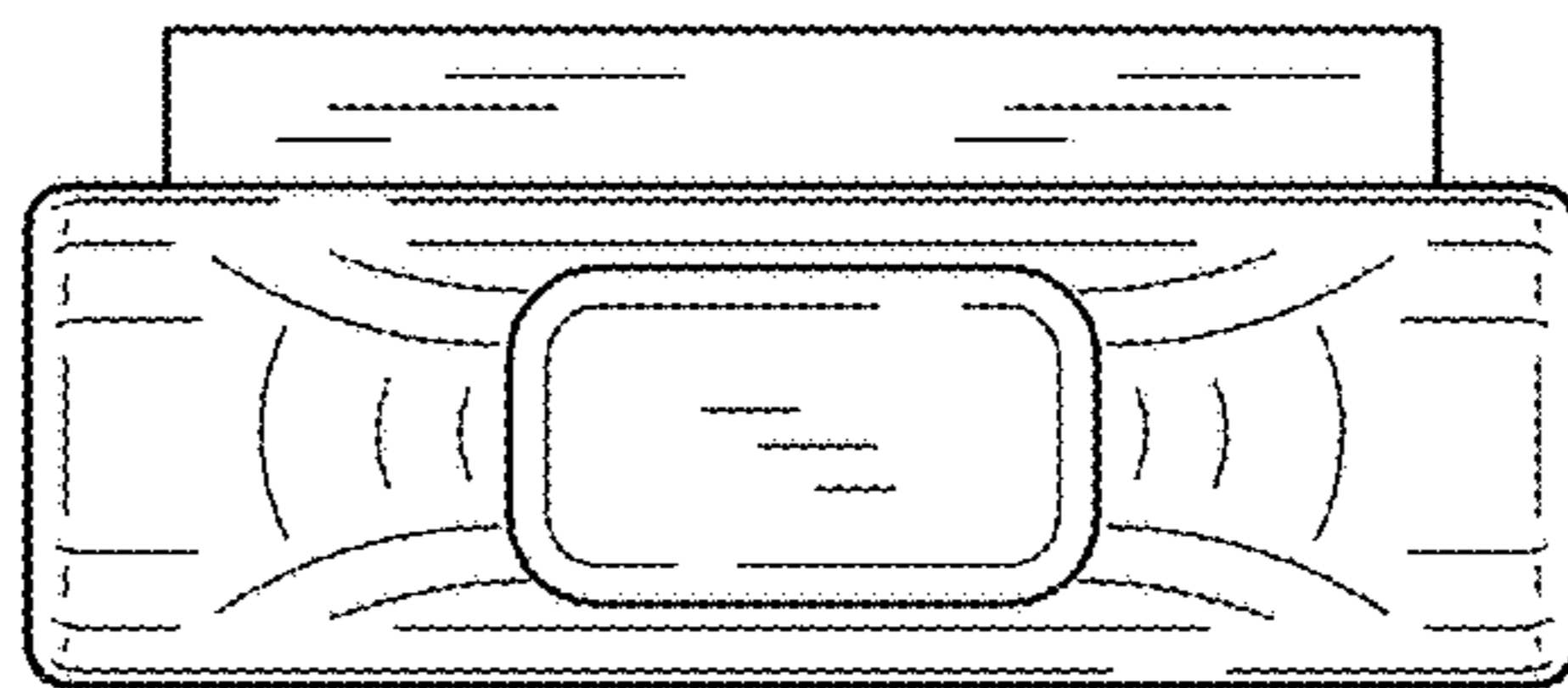


FIG. 5

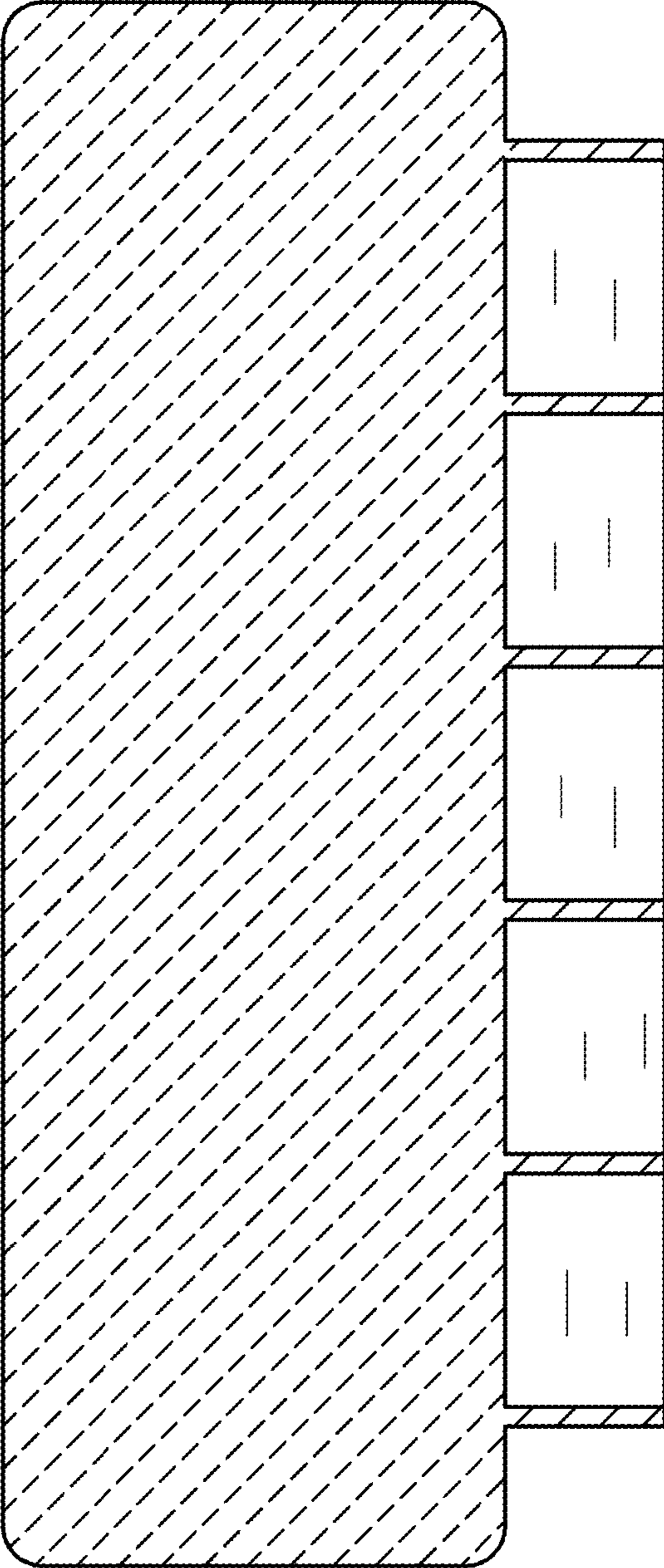


FIG. 6