



US00D807720S

(12) **United States Design Patent**
Lozano

(10) **Patent No.:** **US D807,720 S**
(45) **Date of Patent:** **** Jan. 16, 2018**

(54) **BOTTLE OPENER**

(71) Applicant: **Jose Monse Lozano**, Houston, TX (US)

(72) Inventor: **Jose Monse Lozano**, Houston, TX (US)

(**) Term: **15 Years**

(21) Appl. No.: **29/571,085**

(22) Filed: **Jul. 14, 2016**

(51) **LOC (11) Cl.** **07-06**

(52) **U.S. Cl.**
USPC **D8/33**

(58) **Field of Classification Search**

USPC D8/18, 33, 38, 40, 356; D1/106, 111;
D3/207, 208, 210; D9/600; D21/319,
D21/358, 478, 598, 599, 708, 733, 759;
30/400, 409-411; 53/363; 81/3.55, 3.57;
7/169

CPC B67B 7/00; B67B 7/04; B67B 7/06; B67B
7/14; B67B 7/16; B67B 7/20; B67B 7/24;
B67B 7/30; B67B 7/38; B67B 7/44;
B67B 7/182; B67B 7/403; B67B
2201/012; B67B 2201/17; B67B 1/00

See application file for complete search history.

(56) **References Cited**

U.S. PATENT DOCUMENTS

1,702,149 A * 2/1929 Brown B67B 7/44
7/155
1,996,696 A * 4/1935 Brown B67B 7/44
81/3.09

D160,453 S * 10/1950 Ajouelo 81/3.27
D335,432 S * 5/1993 Vaughan D8/34
9,487,382 B1 * 11/2016 Piepmeyer B67B 7/16
2006/0207390 A1 * 9/2006 Kehoe B67B 7/16
81/3.09

* cited by examiner

Primary Examiner — Wan Laymon

Assistant Examiner — Clint A Samuel

(74) *Attorney, Agent, or Firm* — Egbert Law Offices,
PLLC

(57) **CLAIM**

The ornamental design for a bottle opener, as shown and described.

DESCRIPTION

FIG. 1 is a front perspective view of a bottle opener showing my new design.

FIG. 2 is a rear perspective view thereof;

FIG. 3 is a front view thereof;

FIG. 4 is a rear view thereof;

FIG. 5 is a top view thereof;

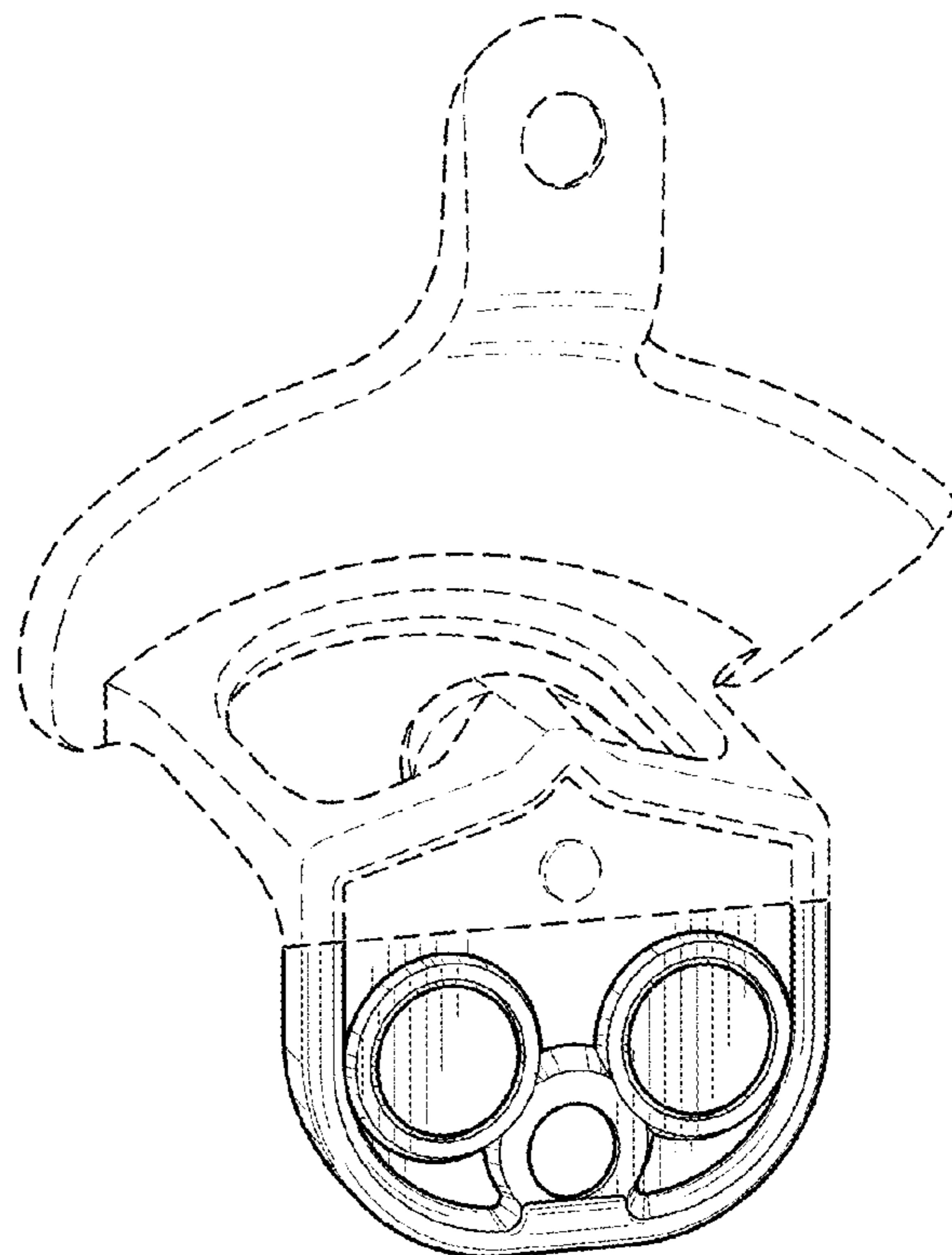
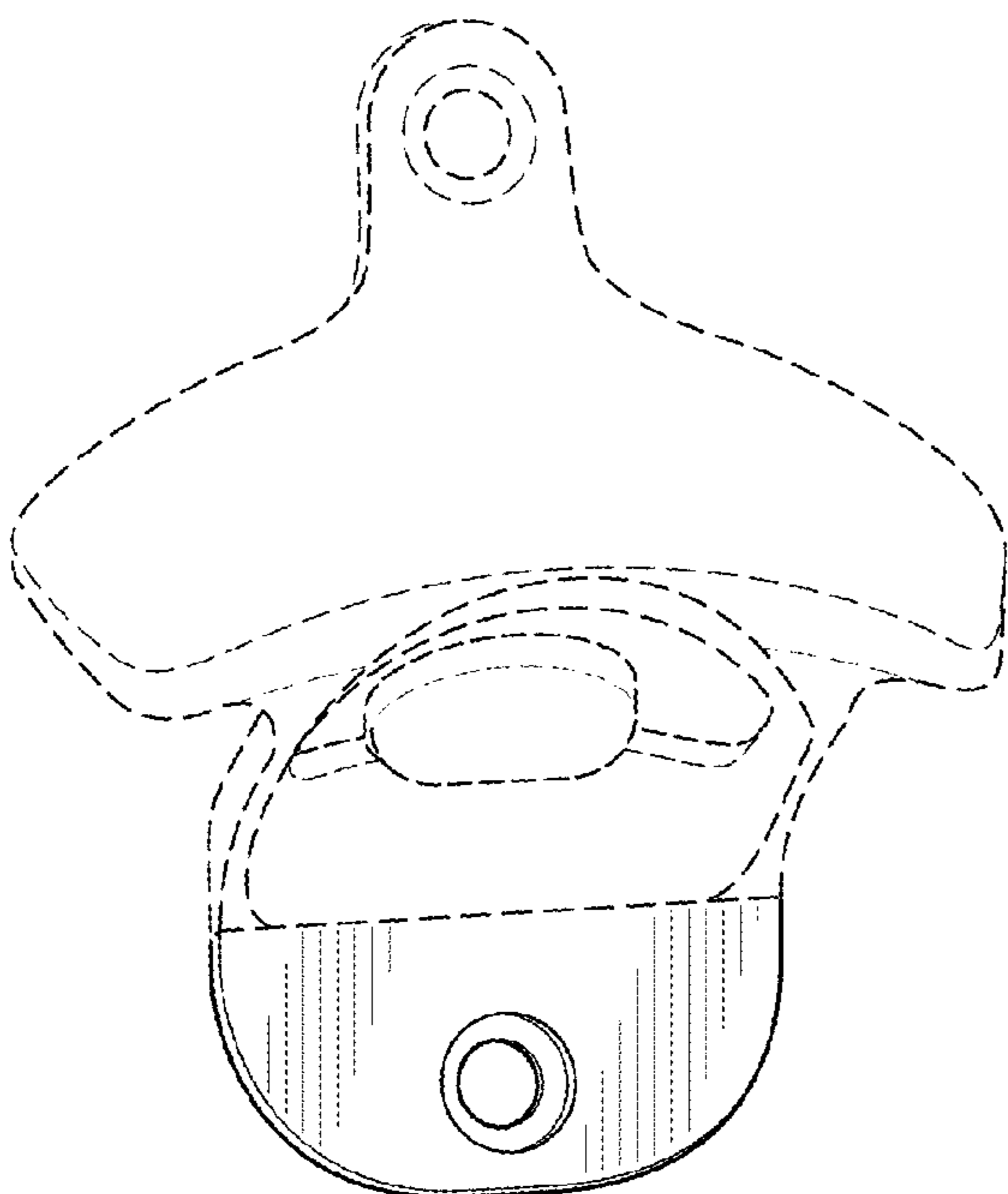
FIG. 6 is a bottom view thereof;

FIG. 7 is a side view thereof; and,

FIG. 8 is an opposite side view thereof.

The features presented in broken lines represent unclaimed portions of the bottle opener and form no part of the claimed design.

1 Claim, 3 Drawing Sheets



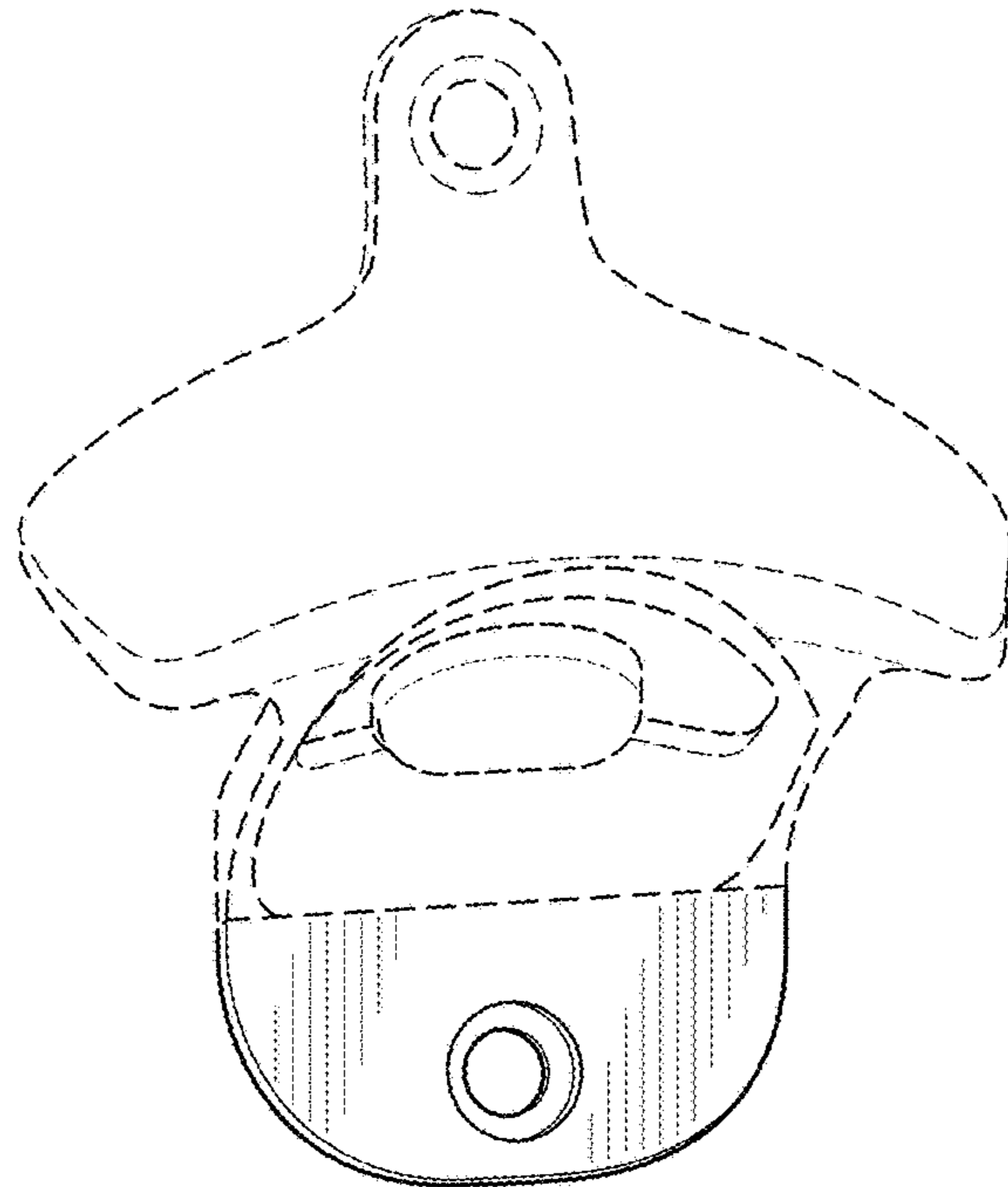


FIG. 1

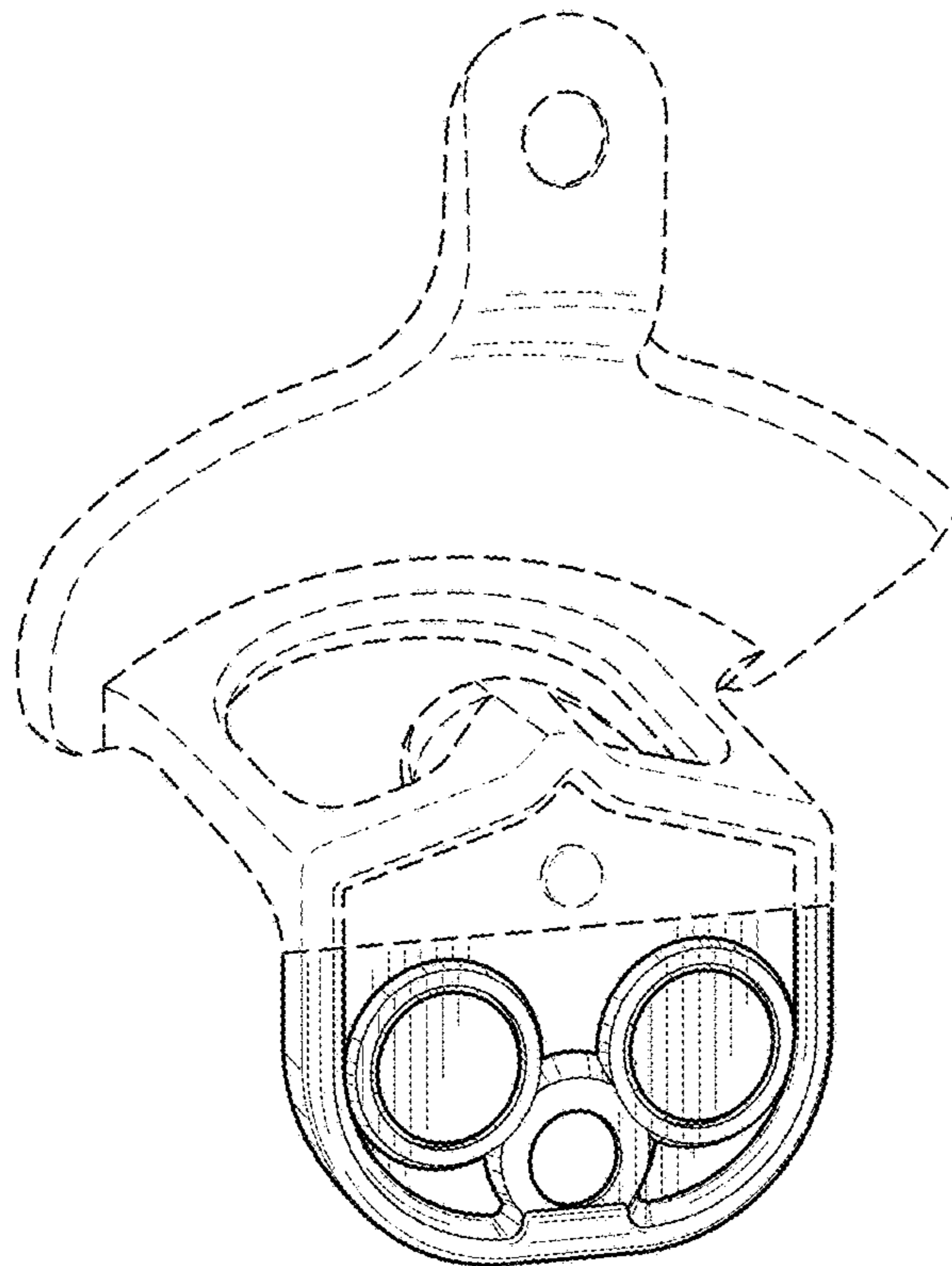


FIG. 2

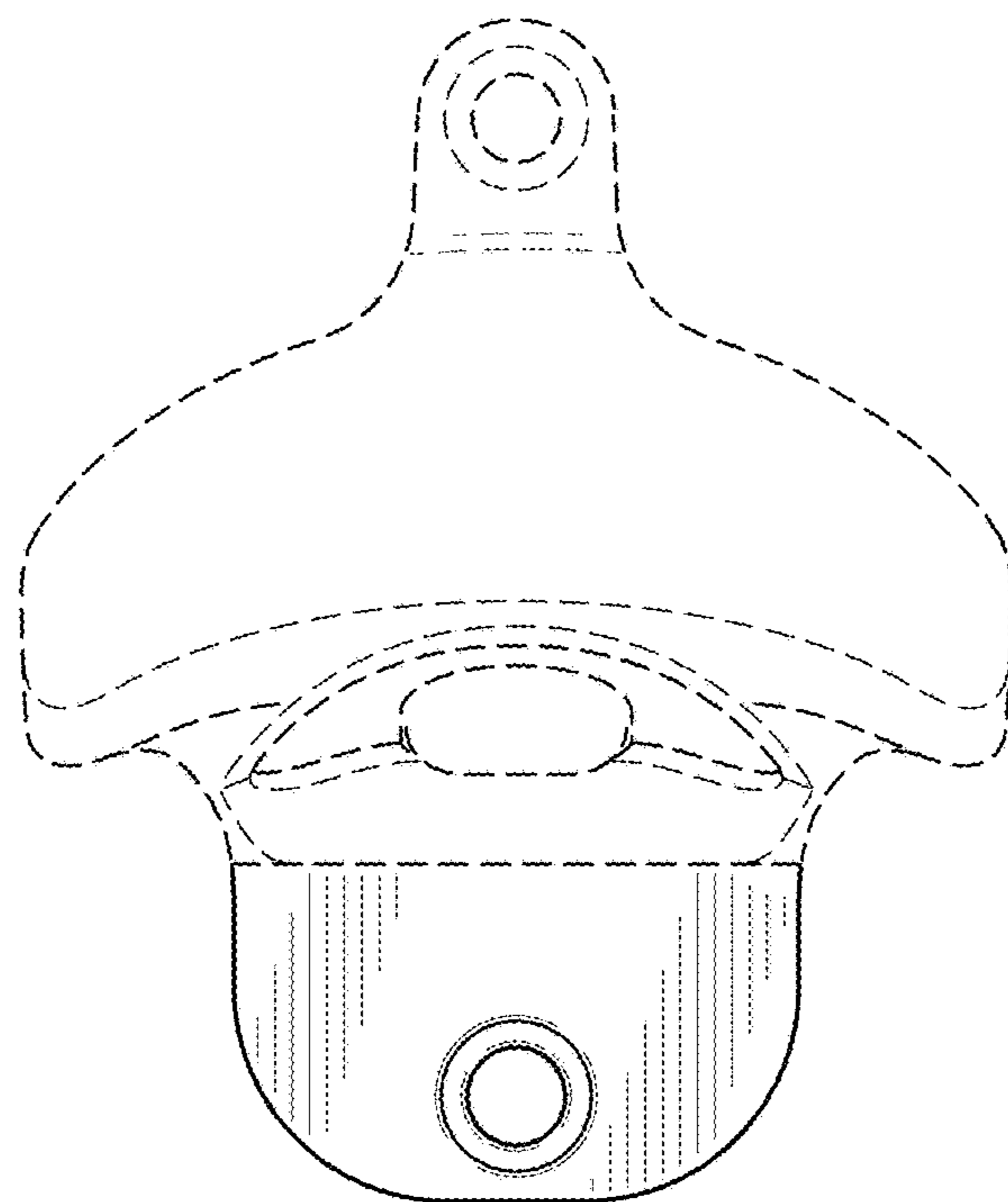


FIG. 3

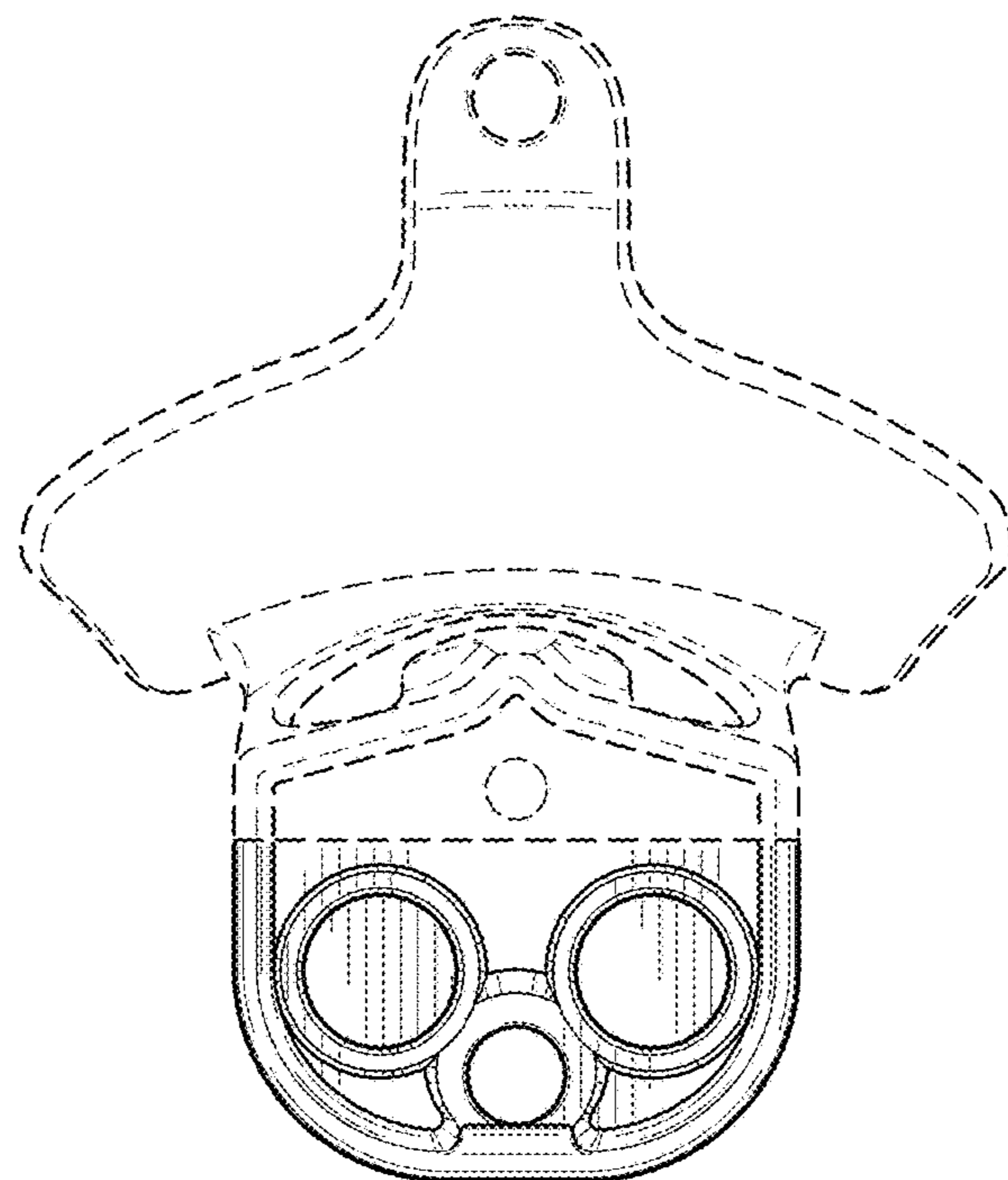


FIG. 4

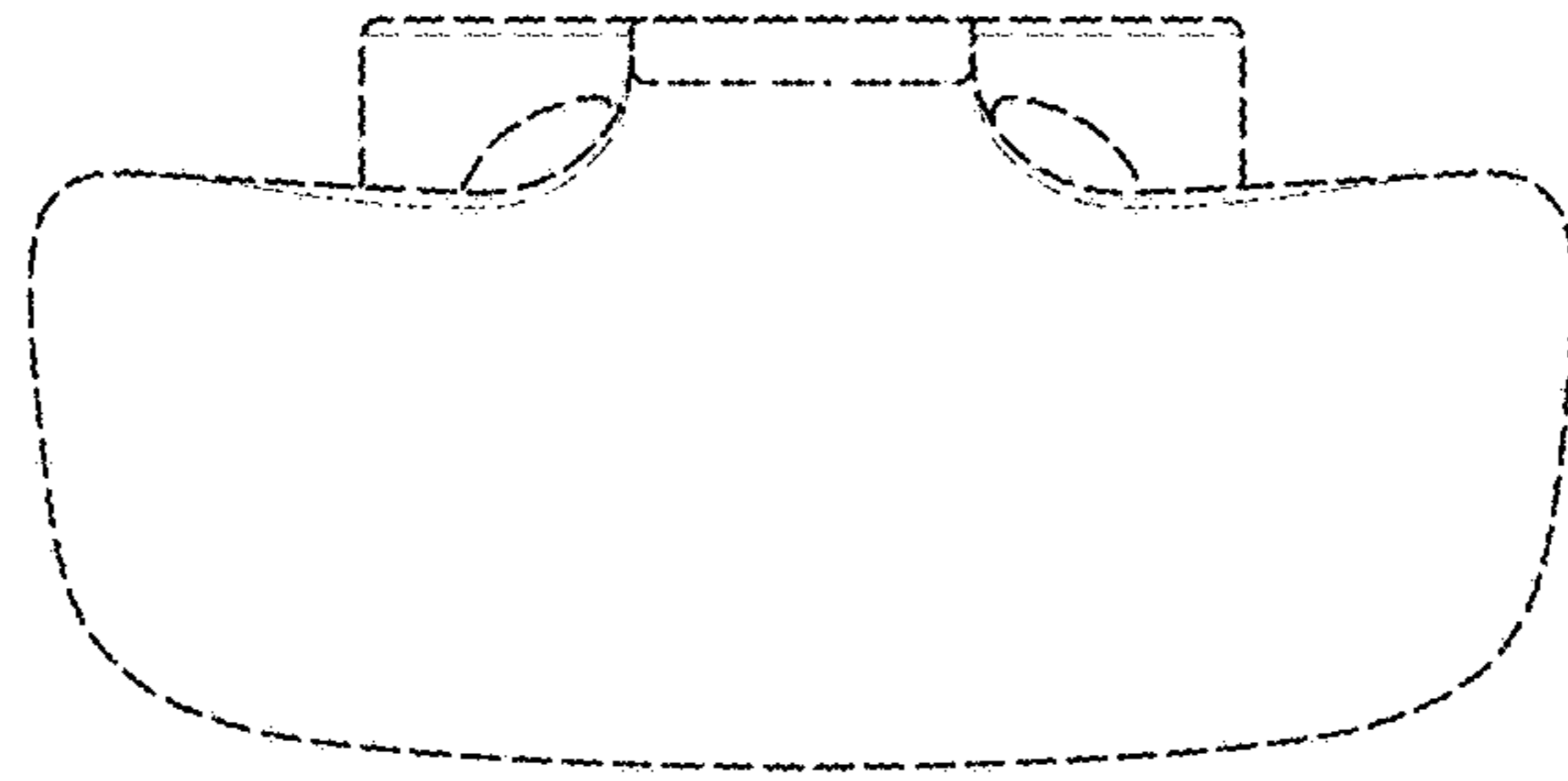


FIG. 5

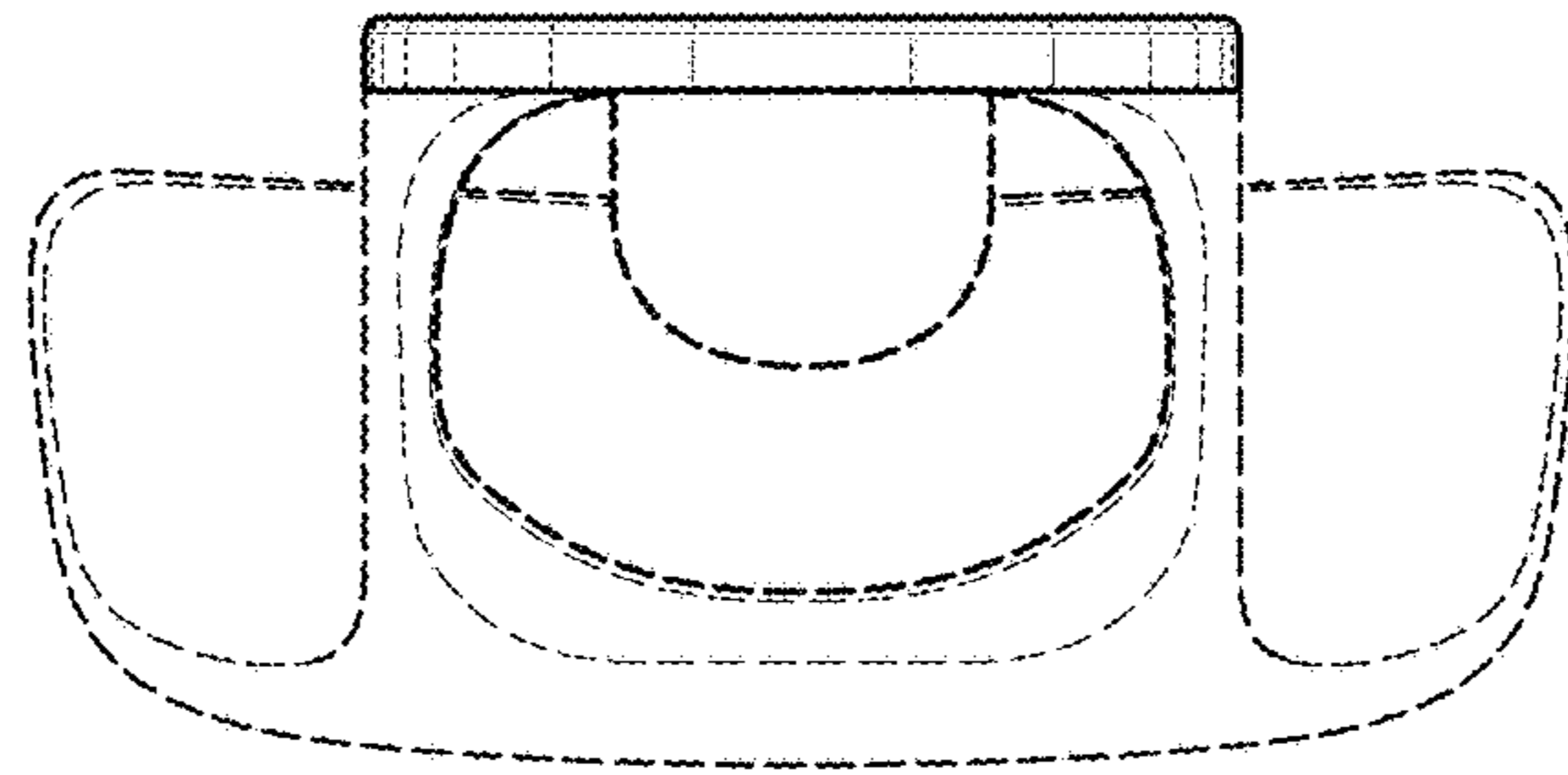


FIG. 6

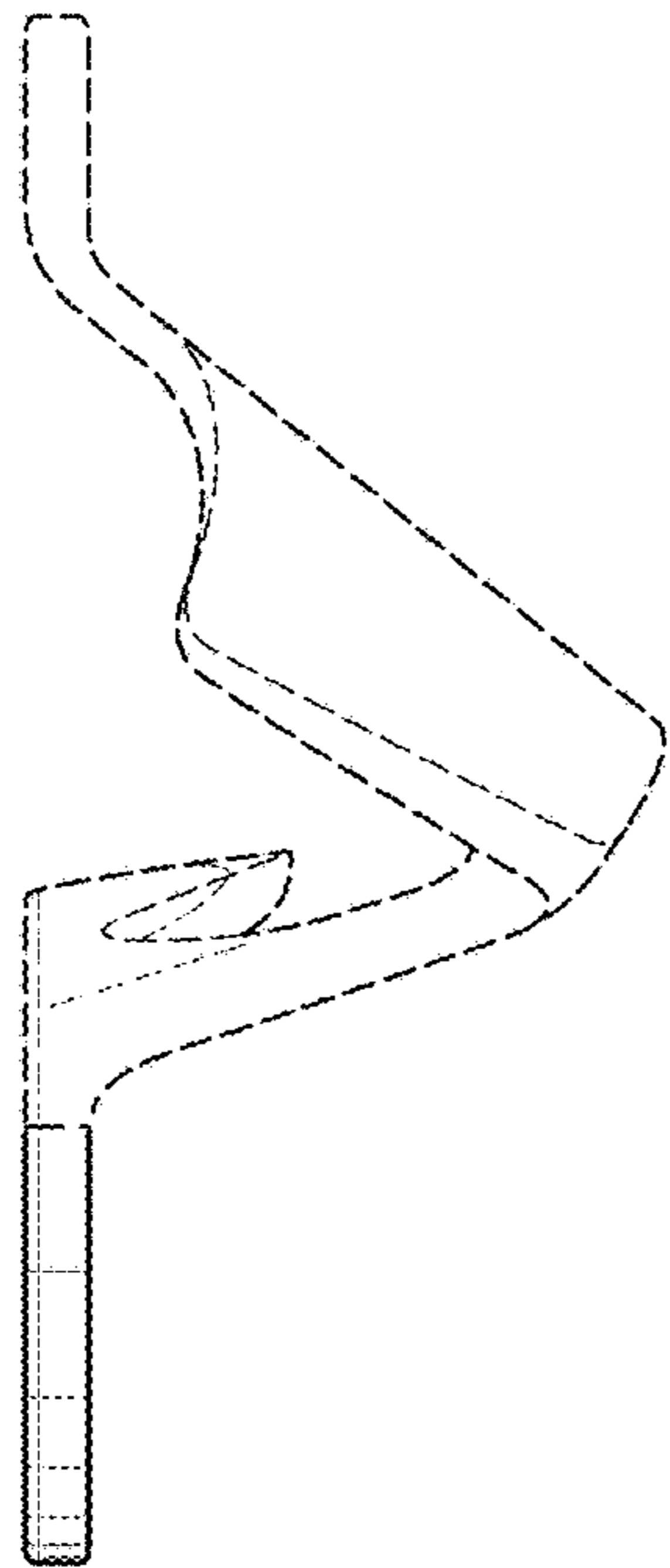


FIG. 7

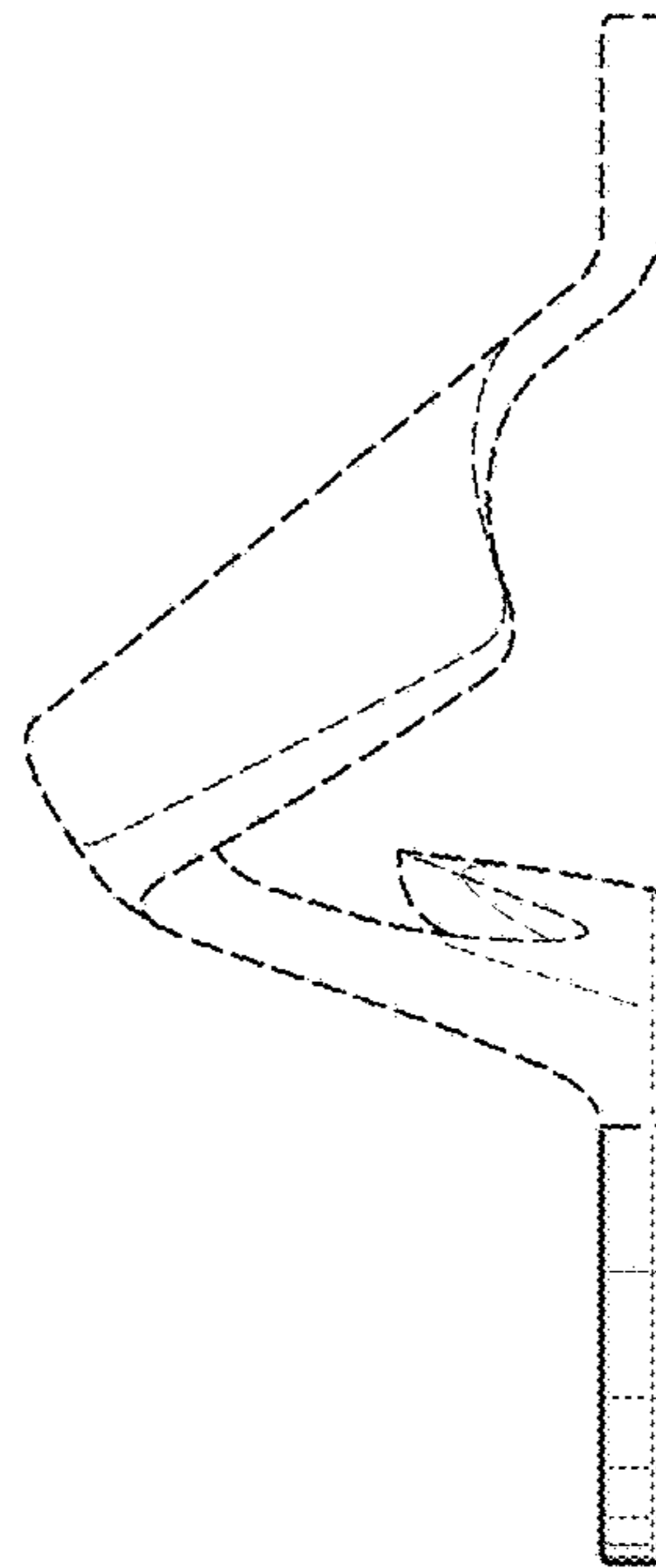


FIG. 8