



US00D807718S

(12) **United States Design Patent**
Matsubara et al.

(10) **Patent No.:** **US D807,718 S**
(45) **Date of Patent:** **** Jan. 16, 2018**

(54) **CUTTING TOOL**
(71) Applicant: **SUMITOMO ELECTRIC
HARDMETAL CORP.,** Itami-shi (JP)
(72) Inventors: **Kouki Matsubara,** Itami (JP);
Atsuhiko Maeta, Itami (JP)
(73) Assignee: **SUMITOMO ELECTRIC
HARDMETAL CORP.,** Itami-shi (JP)

6,921,233 B2 * 7/2005 Duerr B23C 5/2221
407/113
D519,533 S * 4/2006 Frey D15/139
D525,995 S * 8/2006 Bjork D15/139
(Continued)

(**) Term: **15 Years**
(21) Appl. No.: **29/562,580**
(22) Filed: **Apr. 27, 2016**

FOREIGN PATENT DOCUMENTS

JP 2006-015444 A 1/2006
JP HJ2205674000 12/2010
(Continued)

(30) **Foreign Application Priority Data**
Oct. 28, 2015 (JP) 2015-023923
(51) **LOC (11) Cl.** **08-03**
(52) **U.S. Cl.**
USPC **D8/20**
(58) **Field of Classification Search**
USPC D7/650, 652, 694; D8/14, 16, 19, 20, 70,
D8/98, 99, 100, 101; D15/139; D22/118
CPC B23D 61/003; B23D 61/02; B23D 61/12;
B23D 61/121; B23D 61/123; B23D
61/126; B23D 61/128; B23D 49/14;
B23C 5/222; B23C 2200/083; B23C
2200/123; B23C 2200/162; B23C
2200/203; B23C 2200/361
See application file for complete search history.

OTHER PUBLICATIONS

Notice in Japanese Patent Application No. 2015-023923, dated May 9, 2016.

Primary Examiner — Elizabeth A Albert
(74) *Attorney, Agent, or Firm* — Venable LLP; Michael A. Sartori; Miguel A. Lopez

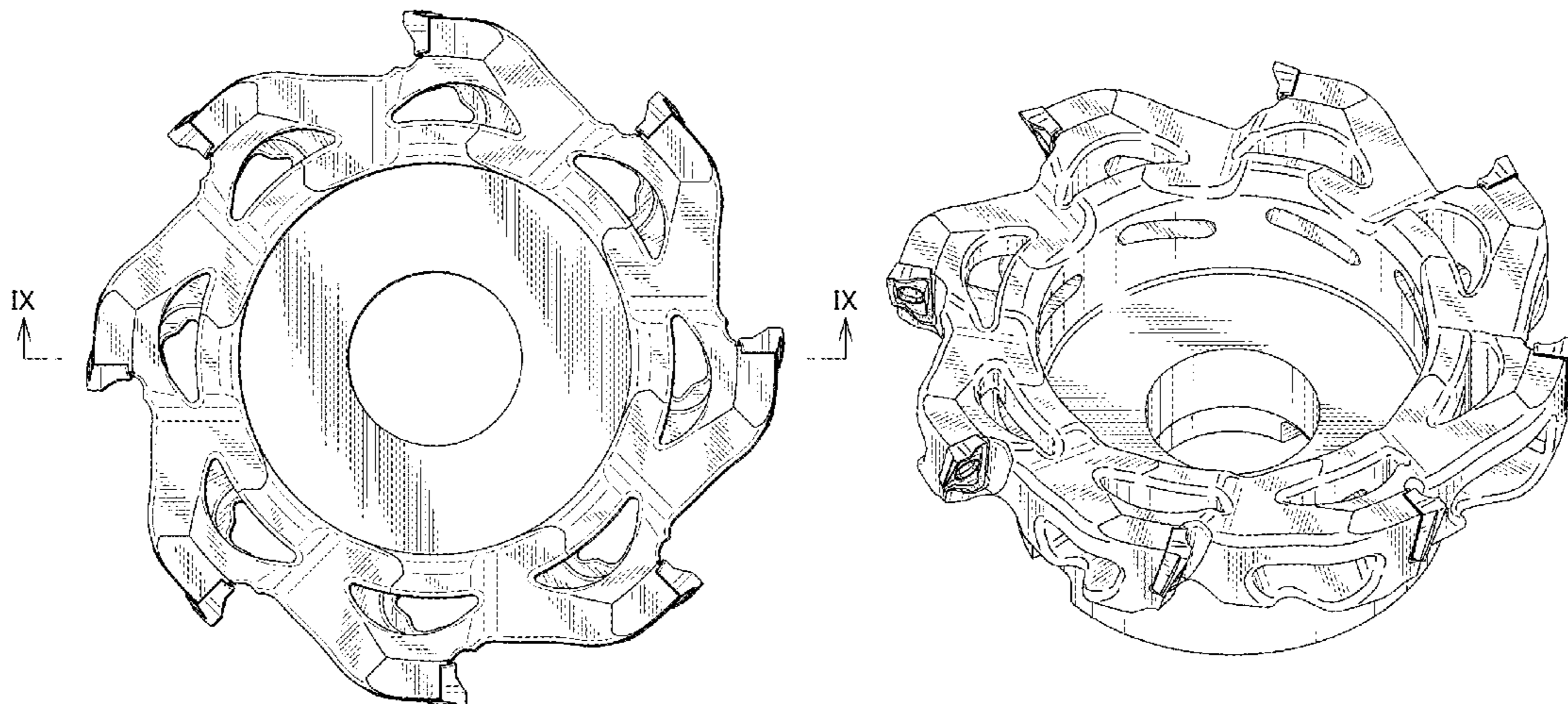
(56) **References Cited**
U.S. PATENT DOCUMENTS
2,411,784 A * 11/1946 Goldsmith B23C 5/18
407/31
D376,808 S * 12/1996 Mihic D15/139
D463,965 S * 10/2002 Lee D15/126
6,508,612 B1 * 1/2003 Baca B23C 5/006
407/113

(57) **CLAIM**
The ornamental design for a cutting tool, as shown and described.

DESCRIPTION

FIG. 1 is a front view of a cutting tool showing our new design;
FIG. 2 is a rear view thereof;
FIG. 3 is a top view thereof;
FIG. 4 is a bottom view thereof;
FIG. 5 is a right side view thereof;
FIG. 6 is a left side view thereof;
FIG. 7 is a first perspective view thereof;
FIG. 8 is a second perspective view thereof;
FIG. 9 is a cross-sectional view taken along line 9-9 of FIG. 1;
FIG. 10 is a cross-sectional view taken along line 10-10 of FIG. 4; and,
FIG. 11 is a cross-sectional view taken along line 11-11 of FIG. 4.

1 Claim, 6 Drawing Sheets



(56)

References Cited

U.S. PATENT DOCUMENTS

D532,023 S * 11/2006 Frey D15/139
D541,124 S * 4/2007 Popov D8/70
7,997,832 B2 * 8/2011 Prichard B23C 5/2221
407/11
8,408,847 B2 * 4/2013 Rysavy B23C 5/2221
407/104
9,289,836 B2 * 3/2016 Koifman B23C 5/207
D760,307 S * 6/2016 Koike D15/139
2007/0286692 A1 * 12/2007 Rysavy B23C 5/2221
407/110
2015/0190868 A1 * 7/2015 Koifman B23C 5/207
407/11

FOREIGN PATENT DOCUMENTS

JP HJ2504820800 11/2013
JP D1522102 4/2015

* cited by examiner

FIG.1

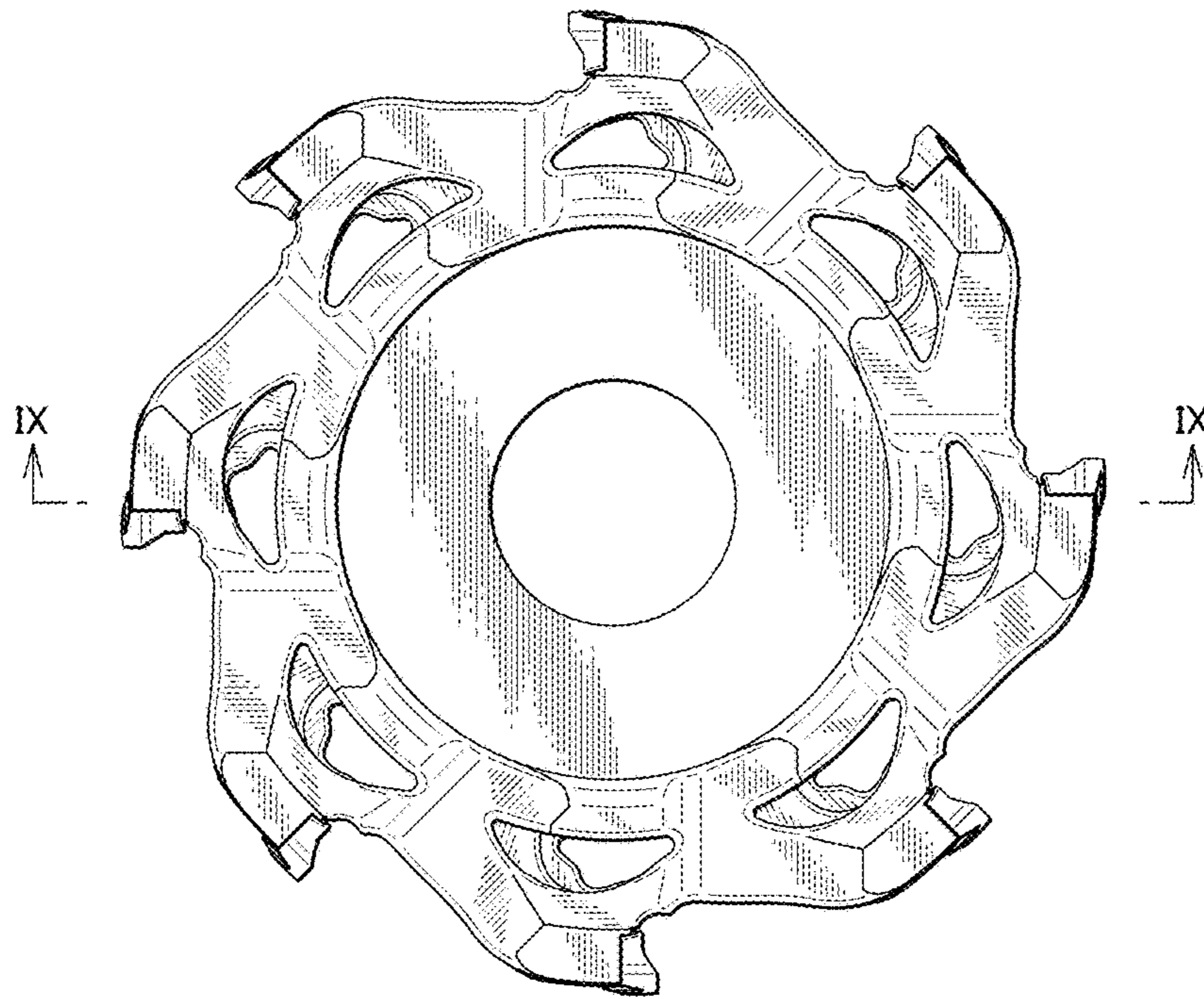


FIG.2

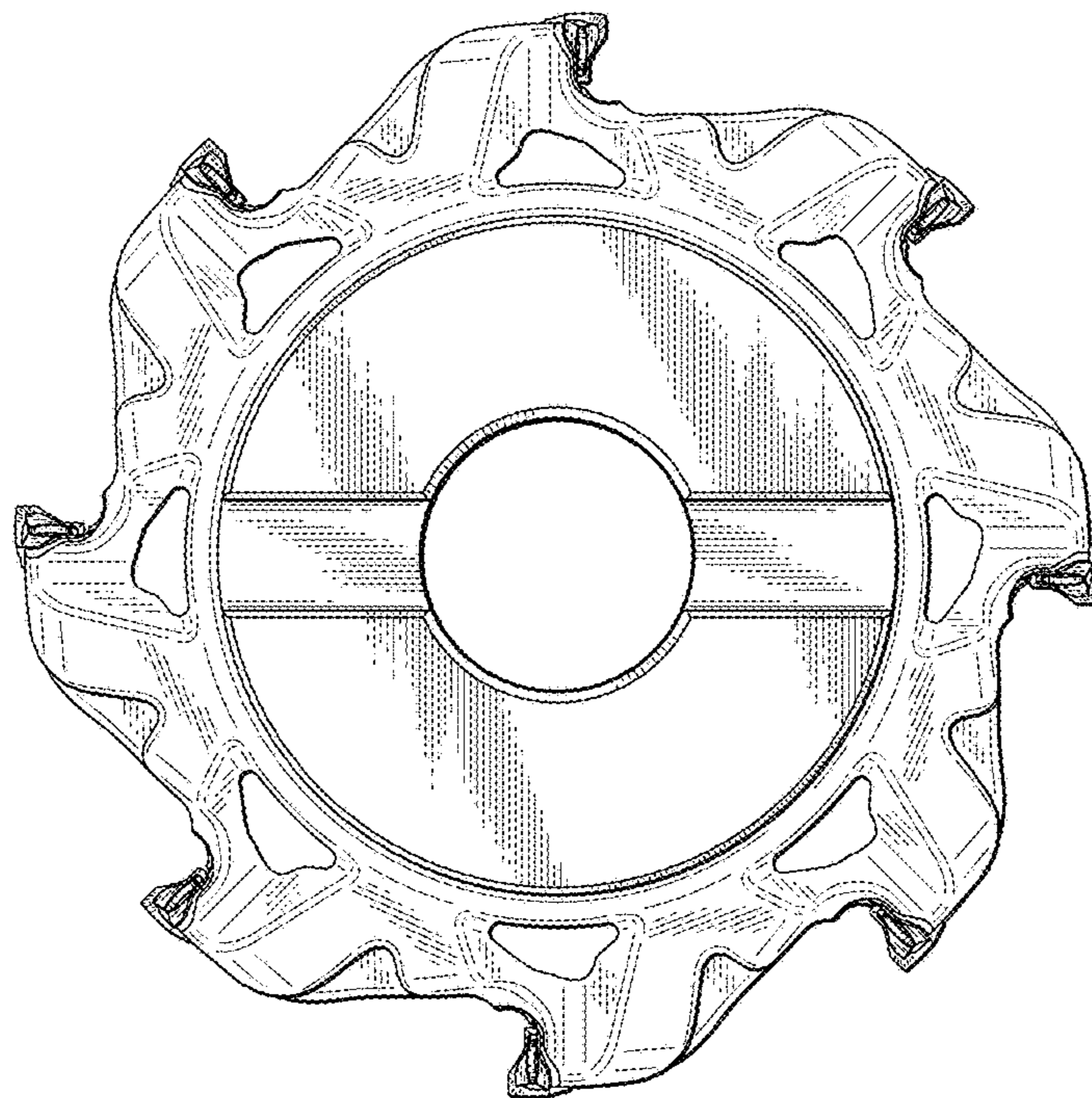


FIG.3

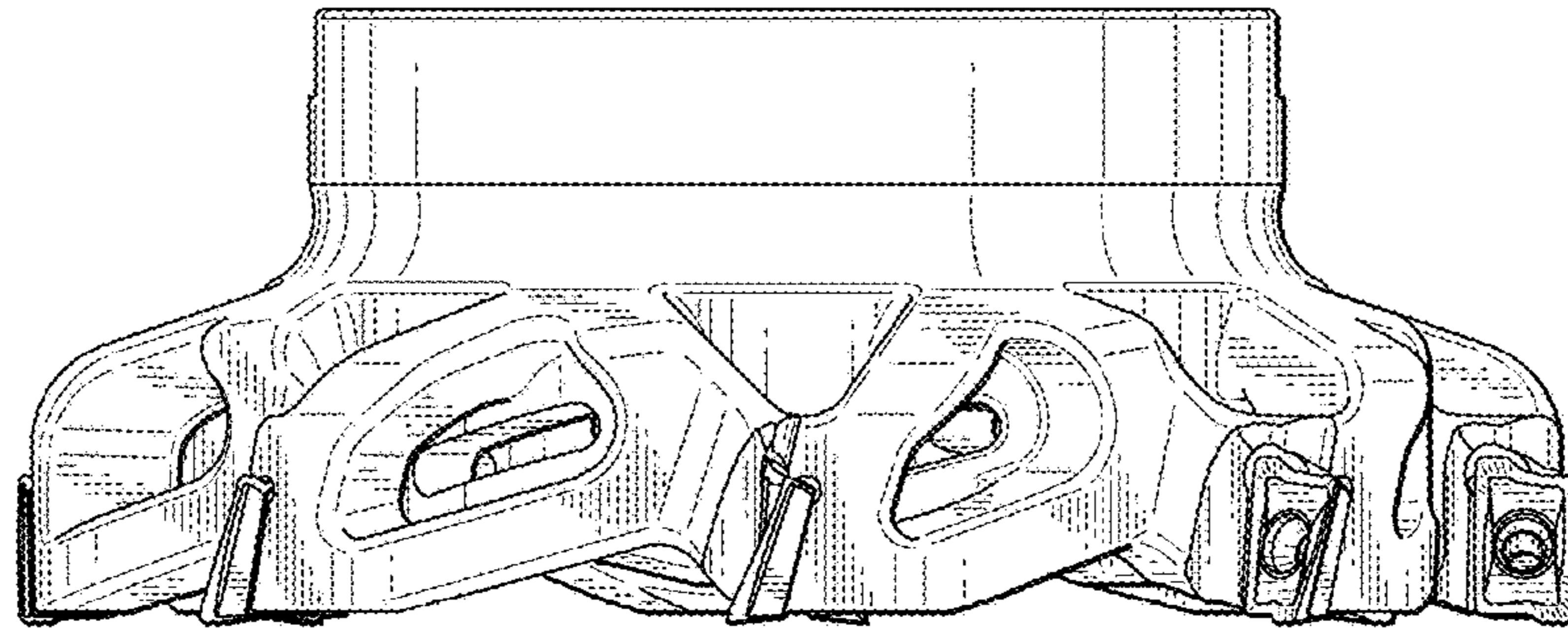


FIG.4

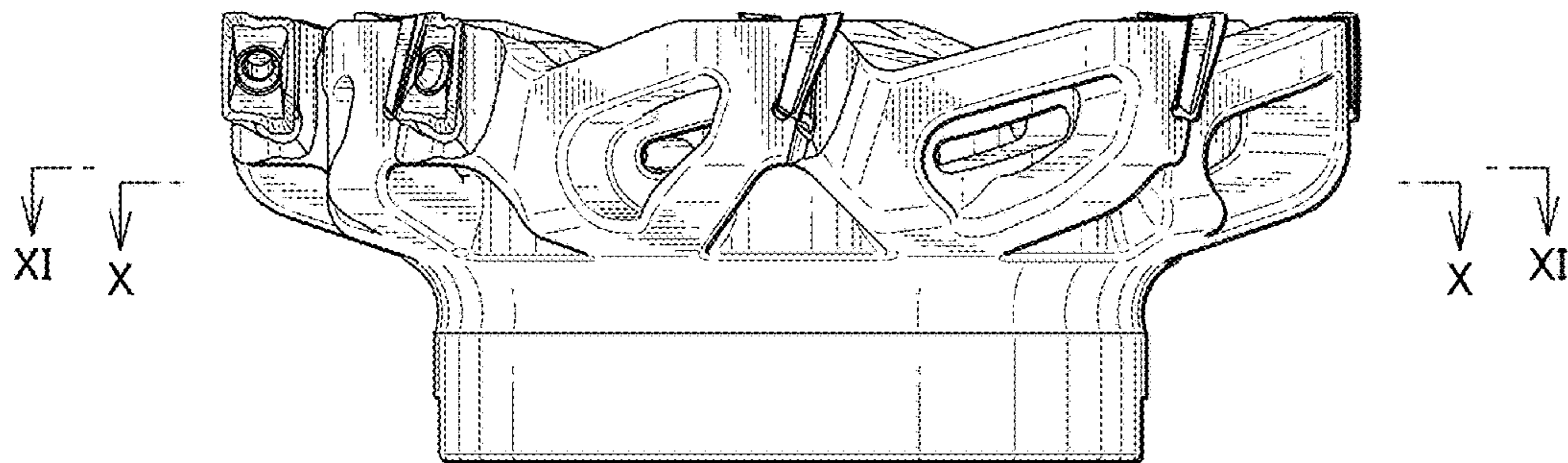


FIG.5

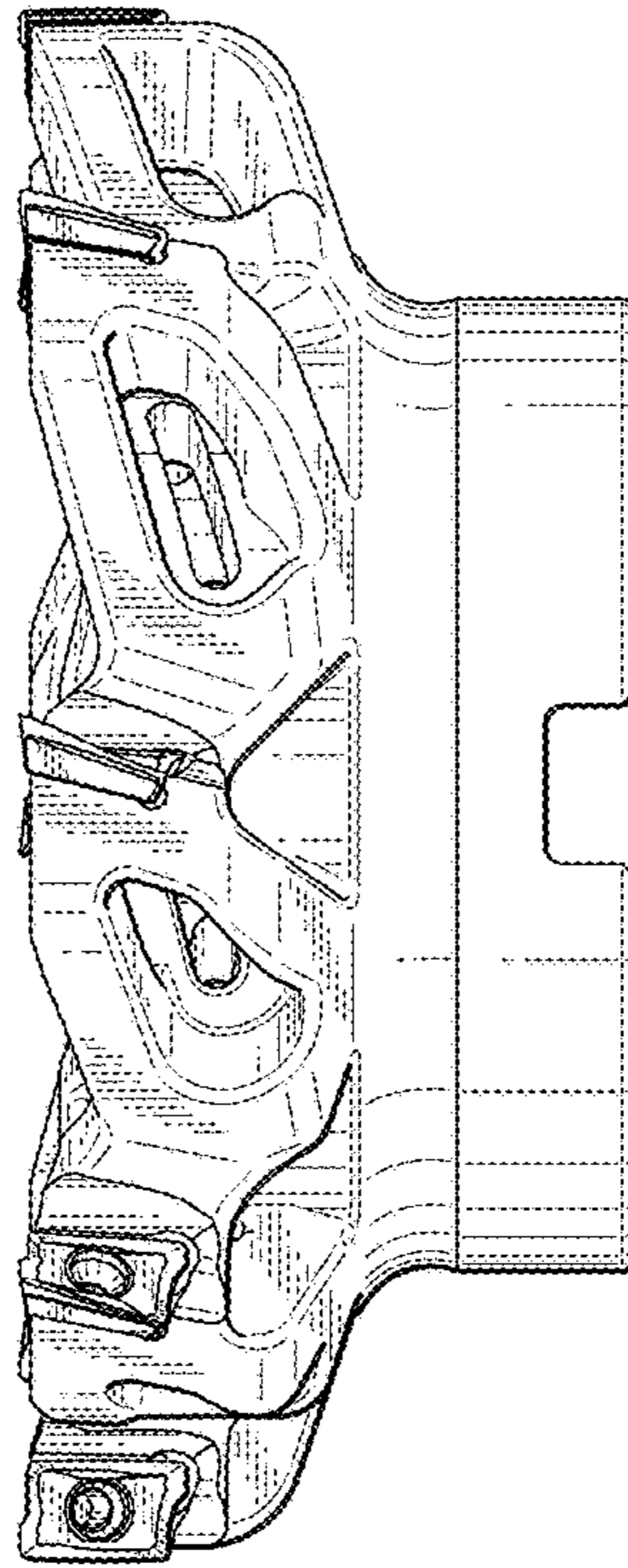


FIG.6

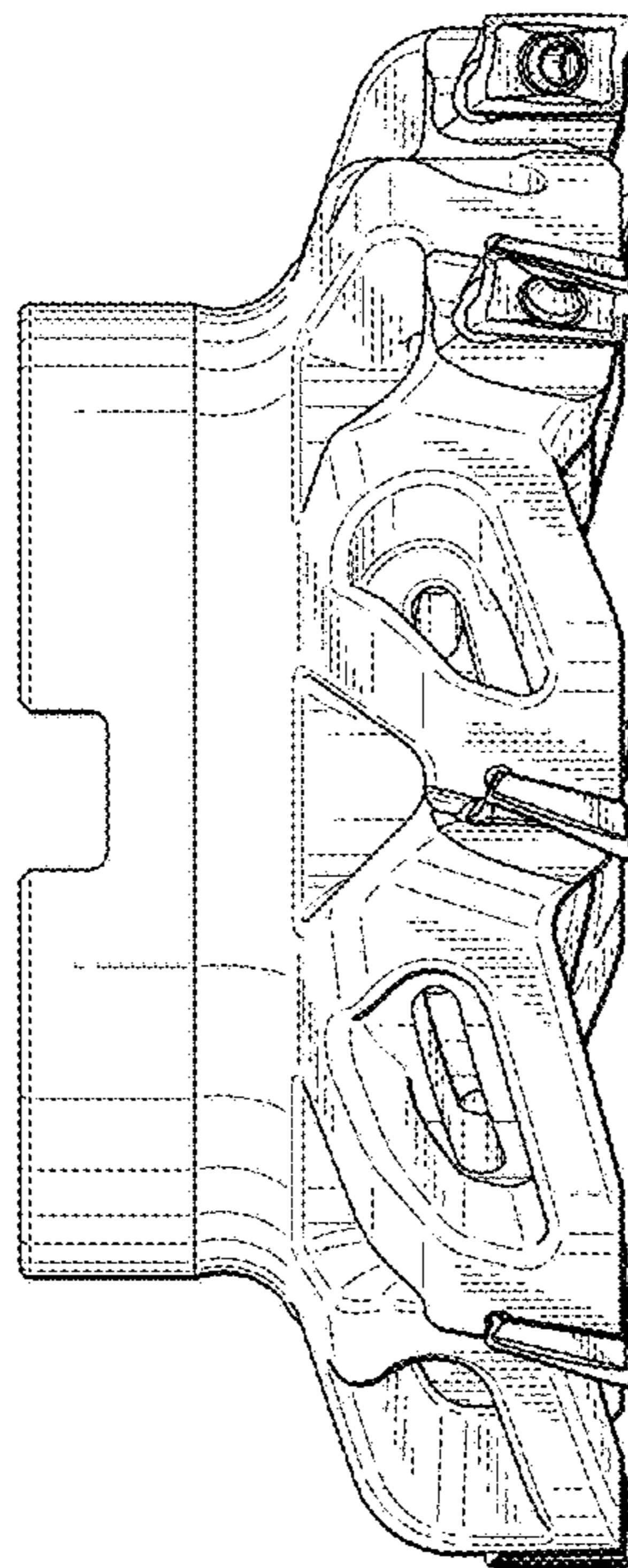


FIG.7

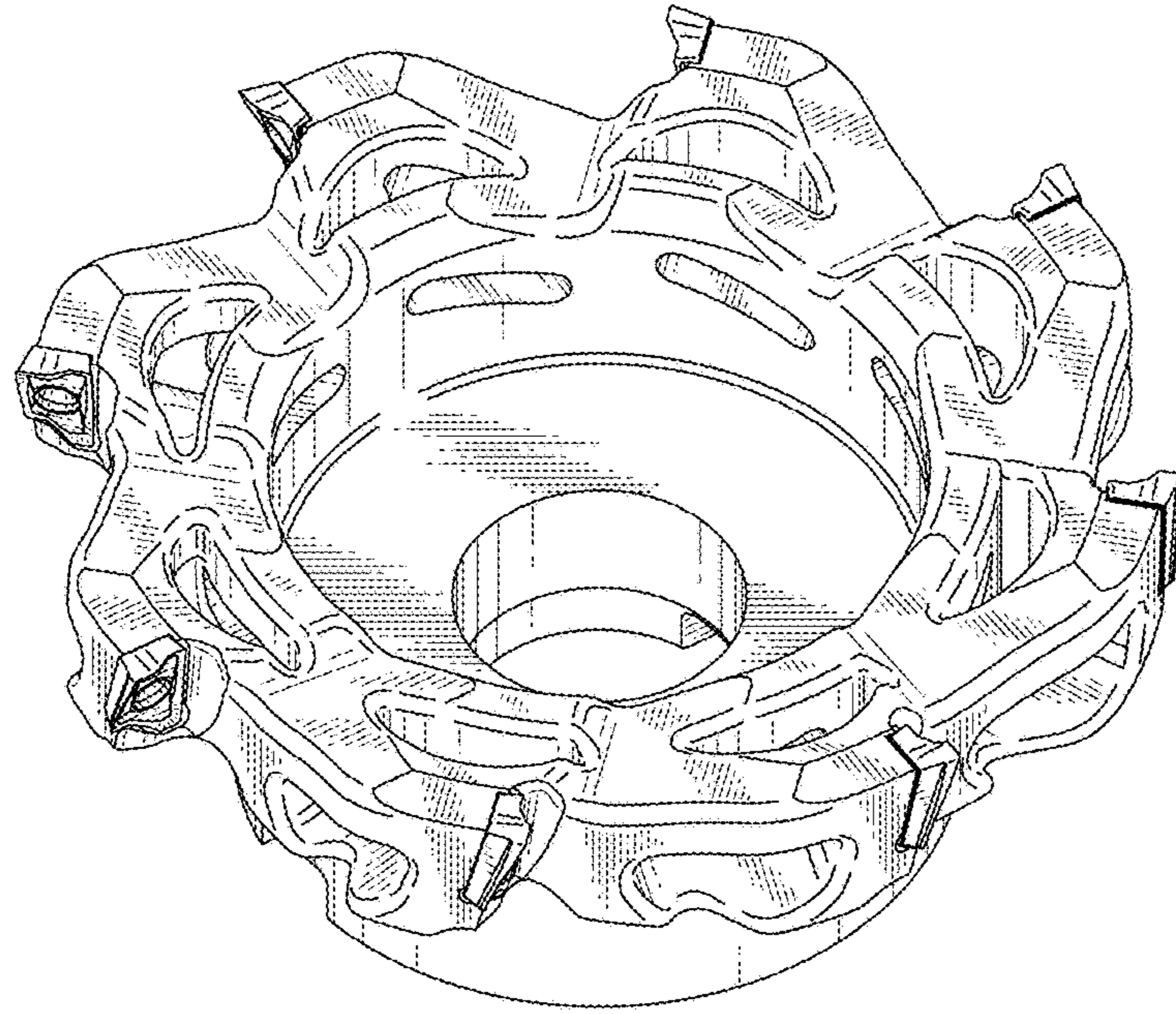


FIG.8

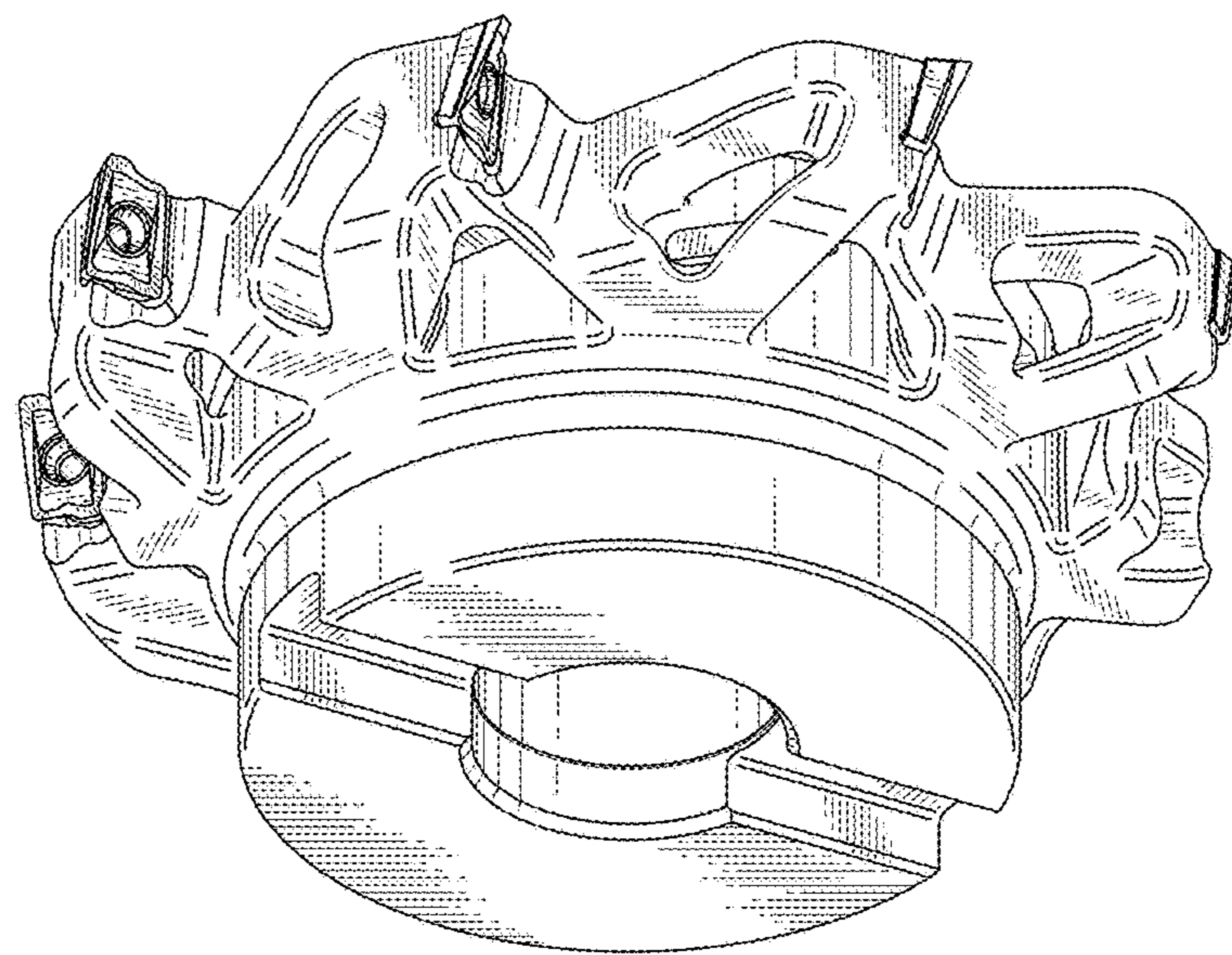


FIG.9

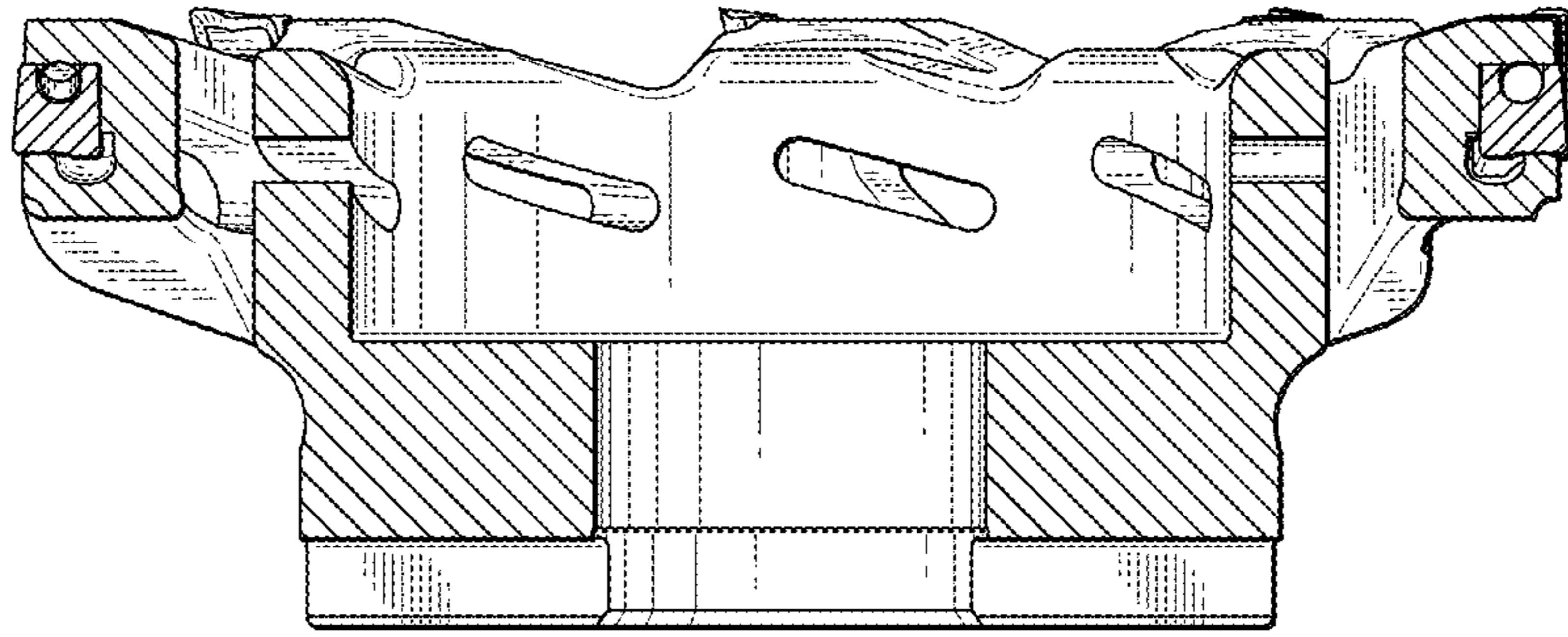


FIG.10

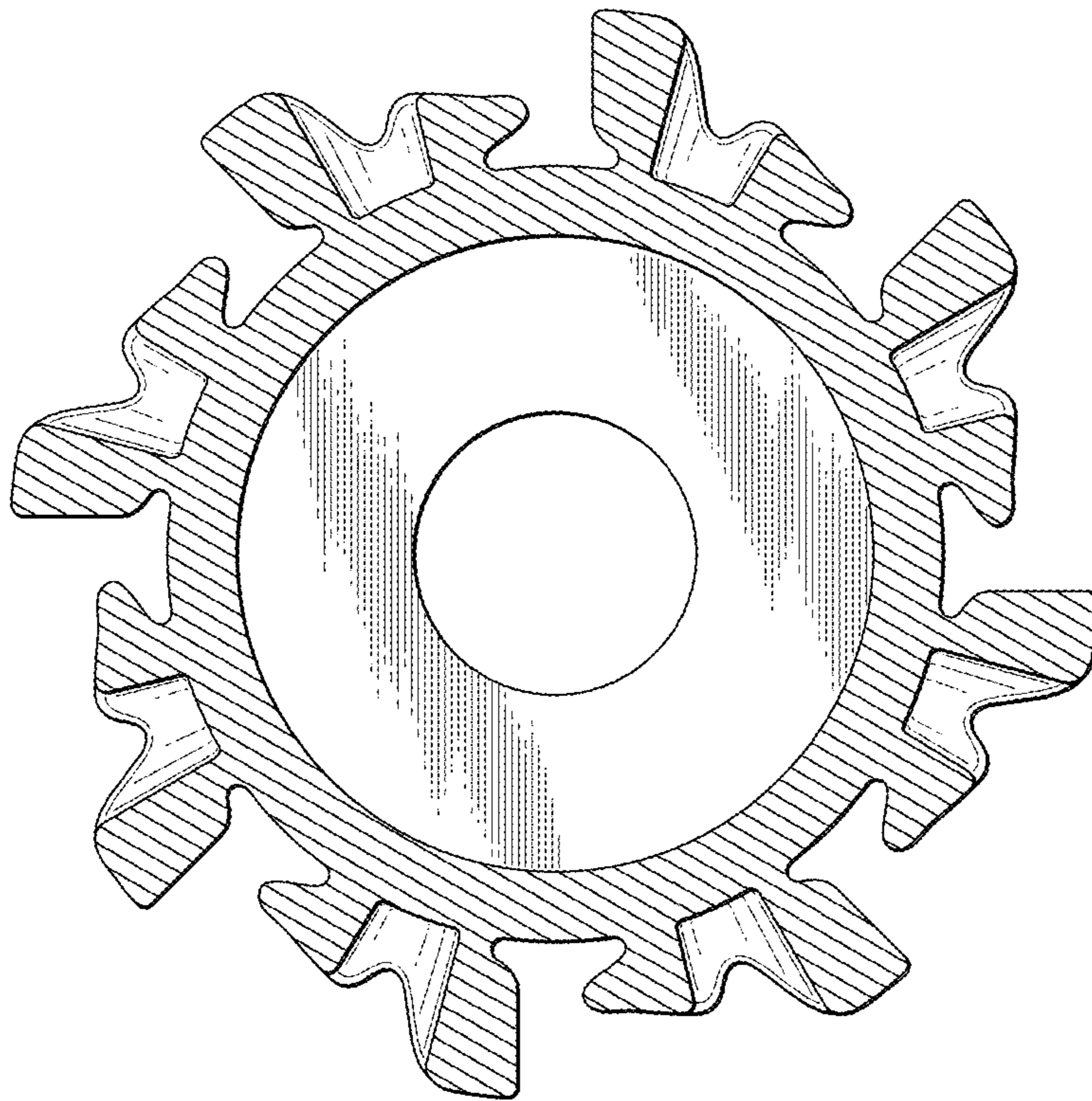


FIG. 11

