



US00D807716S

(12) **United States Design Patent**
Ahearn

(10) **Patent No.:** **US D807,716 S**
(45) **Date of Patent:** **** Jan. 16, 2018**

(54) **GARDENING TOOL**
(71) Applicant: **Conor Mills Ahearn**, Grosse Pointe, MI (US)
(72) Inventor: **Conor Mills Ahearn**, Grosse Pointe, MI (US)
(**) Term: **15 Years**
(21) Appl. No.: **29/566,635**
(22) Filed: **Jun. 1, 2016**
(51) **LOC (11) Cl.** **08-10**
(52) **U.S. Cl.**
USPC **D8/10**
(58) **Field of Classification Search**
USPC D8/1, 7, 10, 107; D21/532, 398
CPC A01B 1/00; A01B 1/02; A01B 1/22; A01B 1/022; A01B 1/026; A01B 15/02; B25G 1/00; B25G 1/102; Y10T 16/4713; Y10S 16/19
See application file for complete search history.

5,937,627 A 8/1999 McKittrick 56/400.01
6,082,795 A 7/2000 Fornelli 294/58
6,435,284 B1* 8/2002 Aman A01B 1/00
172/371
6,464,272 B1 10/2002 Michaud 294/58
(Continued)

FOREIGN PATENT DOCUMENTS

GB 2183433 A 6/1987 A01C 5/02
GB 2248034 A 3/1992 B25G 1/10
(Continued)

OTHER PUBLICATIONS

Stone, "Exoskeletal Yard Tools," Tech Briefs, 6 pages, Dec. 17, 2015.
(Continued)

Primary Examiner — Sandra Snapp
Assistant Examiner — Ieisha Price
(74) *Attorney, Agent, or Firm* — Sunstein Kann Murphy & Timbers LLP

(57) **CLAIM**

The ornamental design for a gardening tool, as shown and described.

DESCRIPTION

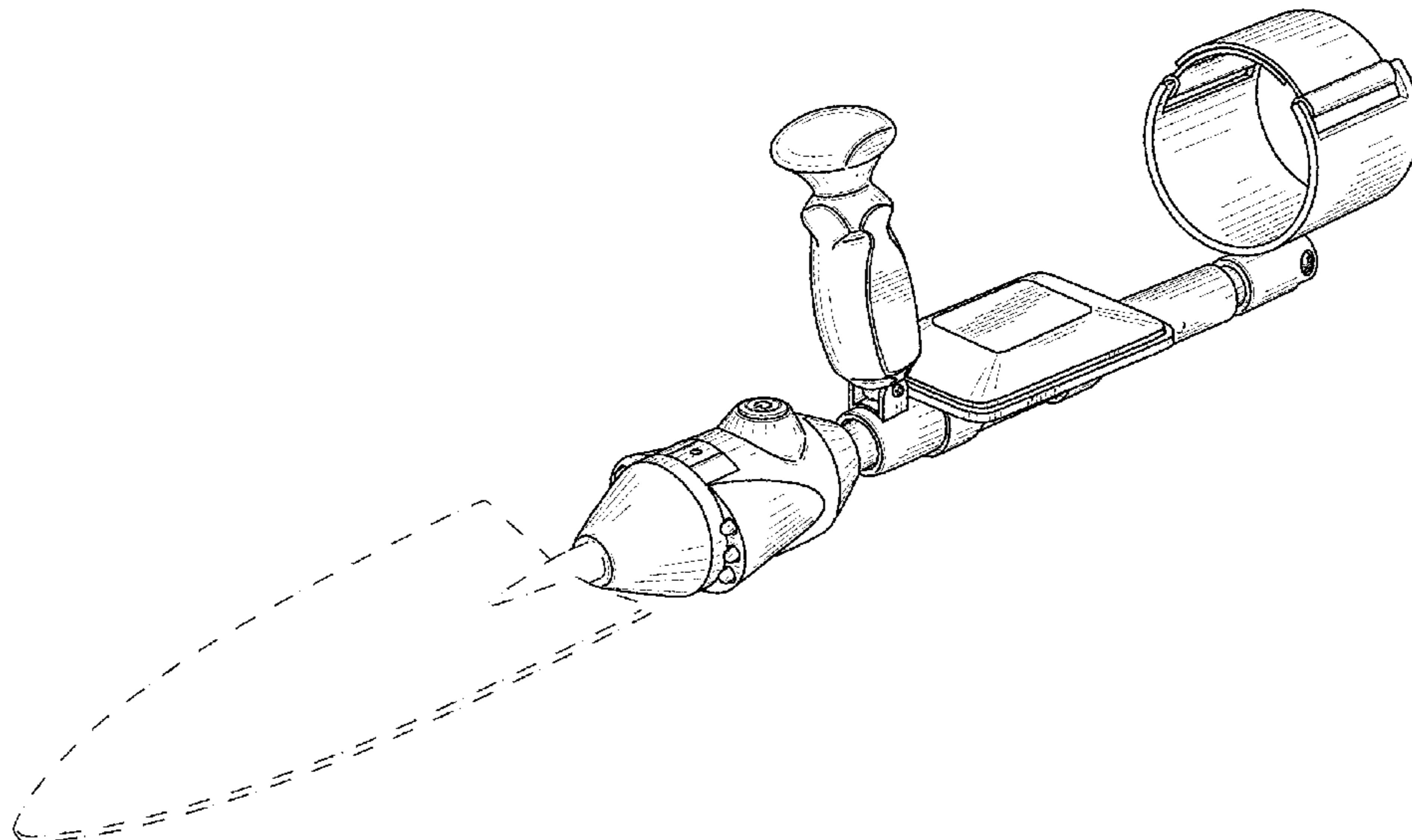
FIG. 1 is a front perspective view of a gardening tool in accordance with the present invention; FIG. 2 is a right side view thereof; FIG. 3 is a bottom view thereof; FIG. 4 is a top view thereof; FIG. 5 is a left side view thereof; FIG. 6 is a rear view thereof; and, FIG. 7 is a front view thereof. The broken lines in the drawings illustrate portions of the gardening tool and form no part of the claimed design.

1 Claim, 4 Drawing Sheets

(56) **References Cited**

U.S. PATENT DOCUMENTS

25,818 A * 10/1859 Goodall B26B 27/007
30/298
712,843 A * 11/1902 Paul E21B 11/005
173/168
2,482,589 A * 9/1949 Maguire B25G 1/102
15/143.1
4,888,846 A 12/1989 Natale 15/236.01
4,924,924 A 5/1990 Stewart 142/49
5,275,068 A * 1/1994 Wrench A01B 1/22
30/296.1
5,379,758 A 1/1995 Snyder 128/20
5,529,357 A 6/1996 Hoffman 294/58
5,813,206 A * 9/1998 McKittrick A01B 1/00
172/371
5,890,259 A * 4/1999 Sarac A01B 1/00
16/422



(56)

References Cited

U.S. PATENT DOCUMENTS

6,564,389 B1 * 5/2003 Laughlin A41D 19/01594
2/158
6,598,266 B1 7/2003 Elliott 16/430
D481,287 S * 10/2003 Crist D8/98
6,698,064 B1 * 3/2004 Graj A47J 45/071
16/422
D625,970 S * 10/2010 Tinius D8/1
D625,971 S * 10/2010 Tinius D8/1
8,453,663 B2 * 6/2013 Zordan A61H 3/02
135/65
D690,183 S * 9/2013 Lee D8/107
8,776,648 B2 7/2014 Lee 81/489
9,149,925 B1 10/2015 Van Valin 294/25
2004/0007887 A1 * 1/2004 Elliott A01B 1/00
294/58
2005/0194157 A1 * 9/2005 Hurt A01B 1/06
172/371
2006/0242797 A1 * 11/2006 Czuwala B25G 1/102
16/430

FOREIGN PATENT DOCUMENTS

GB 2298158 A 8/1996 A01B 1/00
WO WO 2009/136150 A1 11/2009 A01B 1/02

OTHER PUBLICATIONS

Welcome Mobility, "Easi-Grip Garden Tools with Arm Support Cuff", Welcome Mobility, 3 pages, 2015.

* cited by examiner

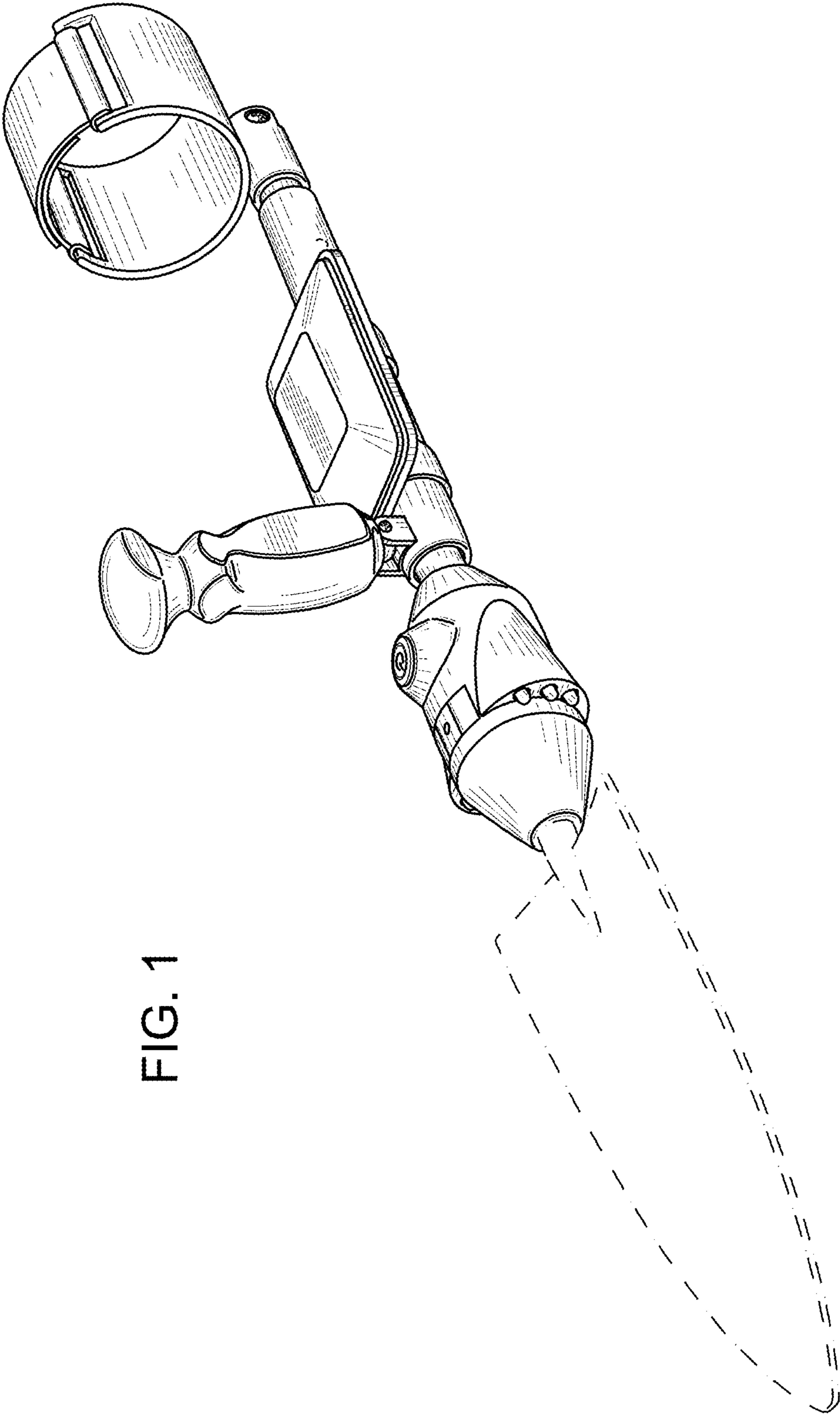
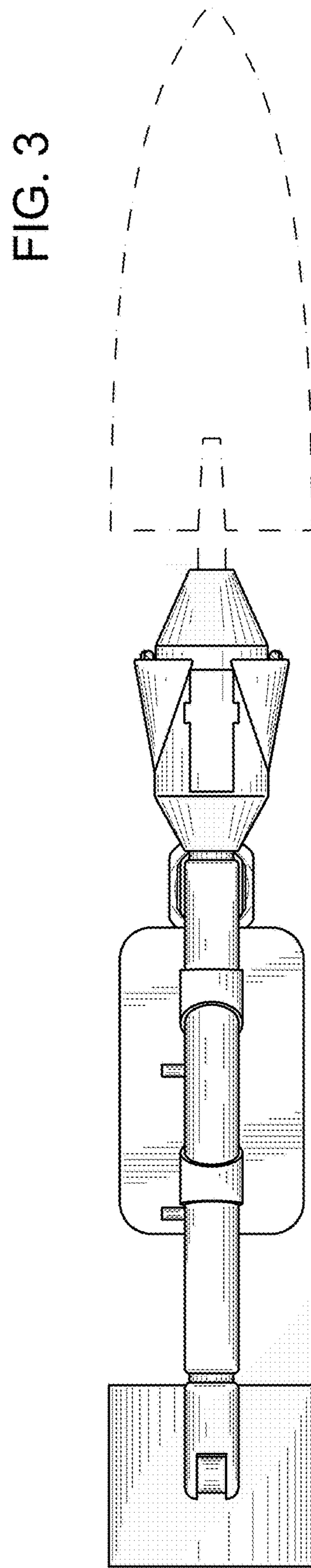
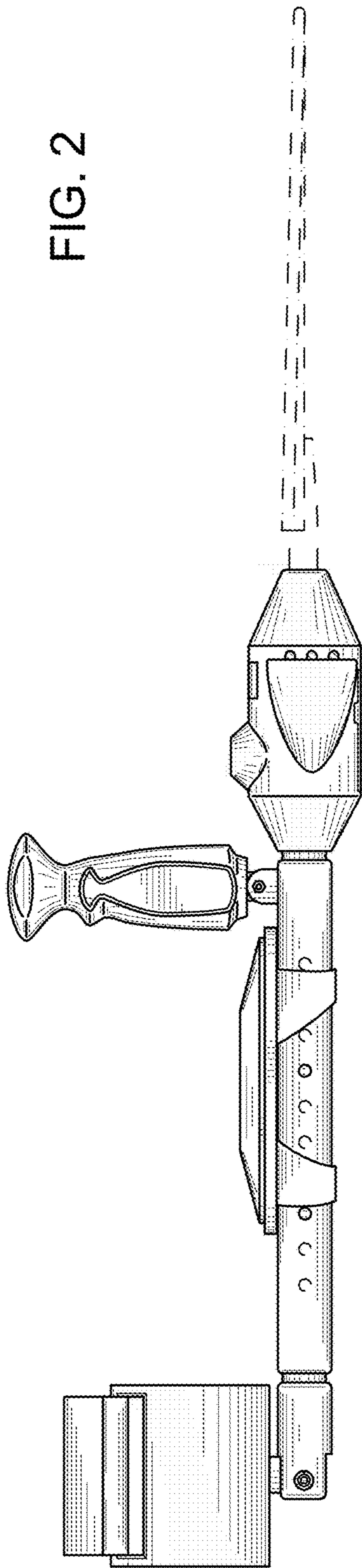


FIG. 1



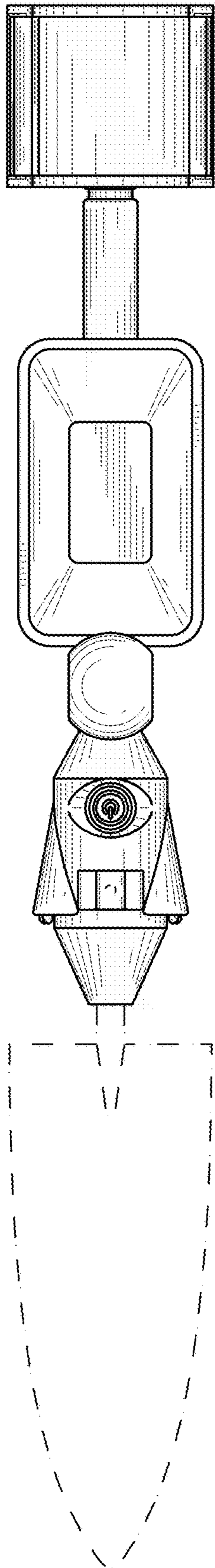


FIG. 4

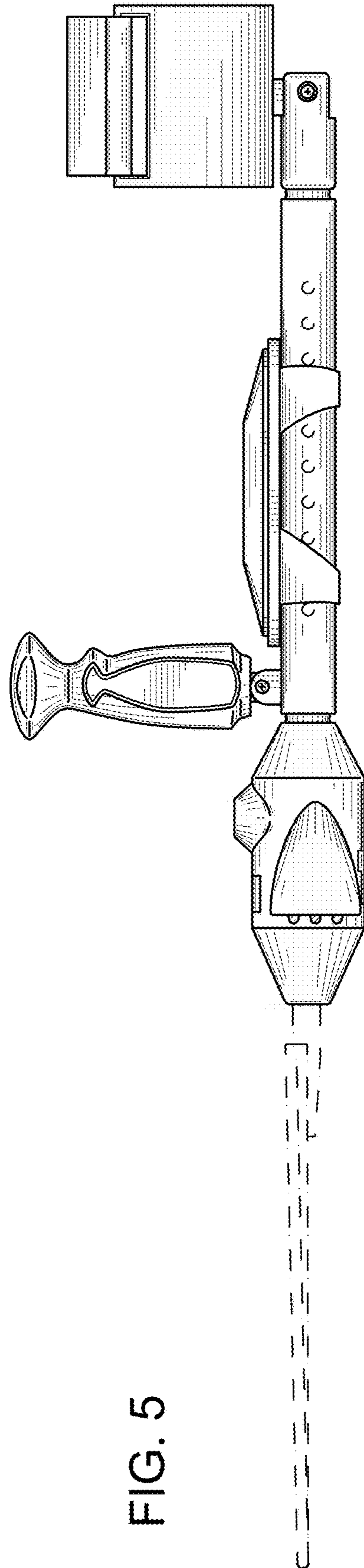


FIG. 5

FIG. 6

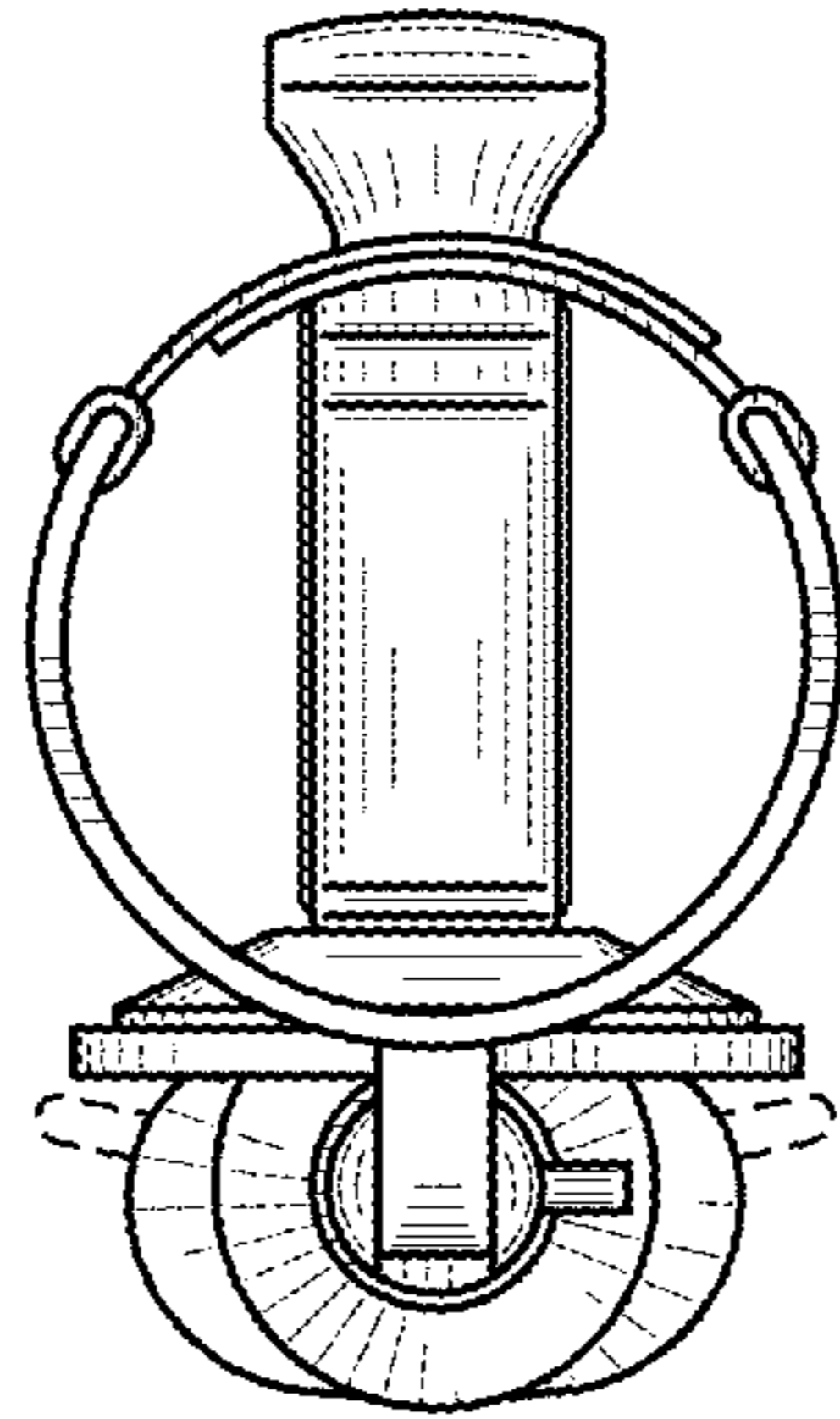


FIG. 7

