



US00D807715S

(12) **United States Design Patent**  
**Znova**

(10) **Patent No.:** **US D807,715 S**

(45) **Date of Patent:** **\*\* \*Jan. 16, 2018**

- (54) **SHEAR BLADE**
- (71) Applicant: **AGRO INTELLIGENCE APS,**  
Aarhus N (DK)
- (72) Inventor: **Liubava Znova,** Herlufmagle (DK)
- (73) Assignee: **AGRO INTELLIGENCE APS,**  
Aarhus N (DK)
- (\*) Notice: This patent is subject to a terminal disclaimer.
- (\*\*) Term: **15 Years**
- (21) Appl. No.: **29/546,741**
- (22) Filed: **Nov. 25, 2015**
- (51) **LOC (11) Cl.** ..... **08-01**
- (52) **U.S. Cl.**  
USPC ..... **D8/5**
- (58) **Field of Classification Search**  
USPC ..... D8/1, 4, 5, 7, 16, 20, 51, 52, 54, 56, 58,  
D8/107; D21/532  
CPC ..... B26B 13/00; B26B 13/06; B26B 13/14;  
B26B 13/20; B26B 13/16; B26B 13/28;  
A01G 3/02; A01G 3/021; A01G 3/025;  
A01G 3/0251; A01G 3/0475  
See application file for complete search history.

- D406,503 S \* 3/1999 Schultz ..... D8/20
- D431,985 S \* 10/2000 Chen ..... D8/51
- D442,459 S \* 5/2001 Wilkinson ..... D15/139
- D684,829 S \* 6/2013 Lin ..... D8/13
- D690,172 S \* 9/2013 Rozumovich ..... D8/5
- D695,082 S \* 12/2013 Huang ..... D8/5
- 2005/0149087 A1 \* 7/2005 Ahlberg ..... A61B 17/320016  
606/174

\* cited by examiner

*Primary Examiner* — Sandra Snapp  
*Assistant Examiner* — Ieisha Price  
(74) *Attorney, Agent, or Firm* — Cermak Nakajima &  
McGowan LLP; Adam J. Cermak

(57) **CLAIM**

The ornamental design for a shear blade, as shown and described.

**DESCRIPTION**

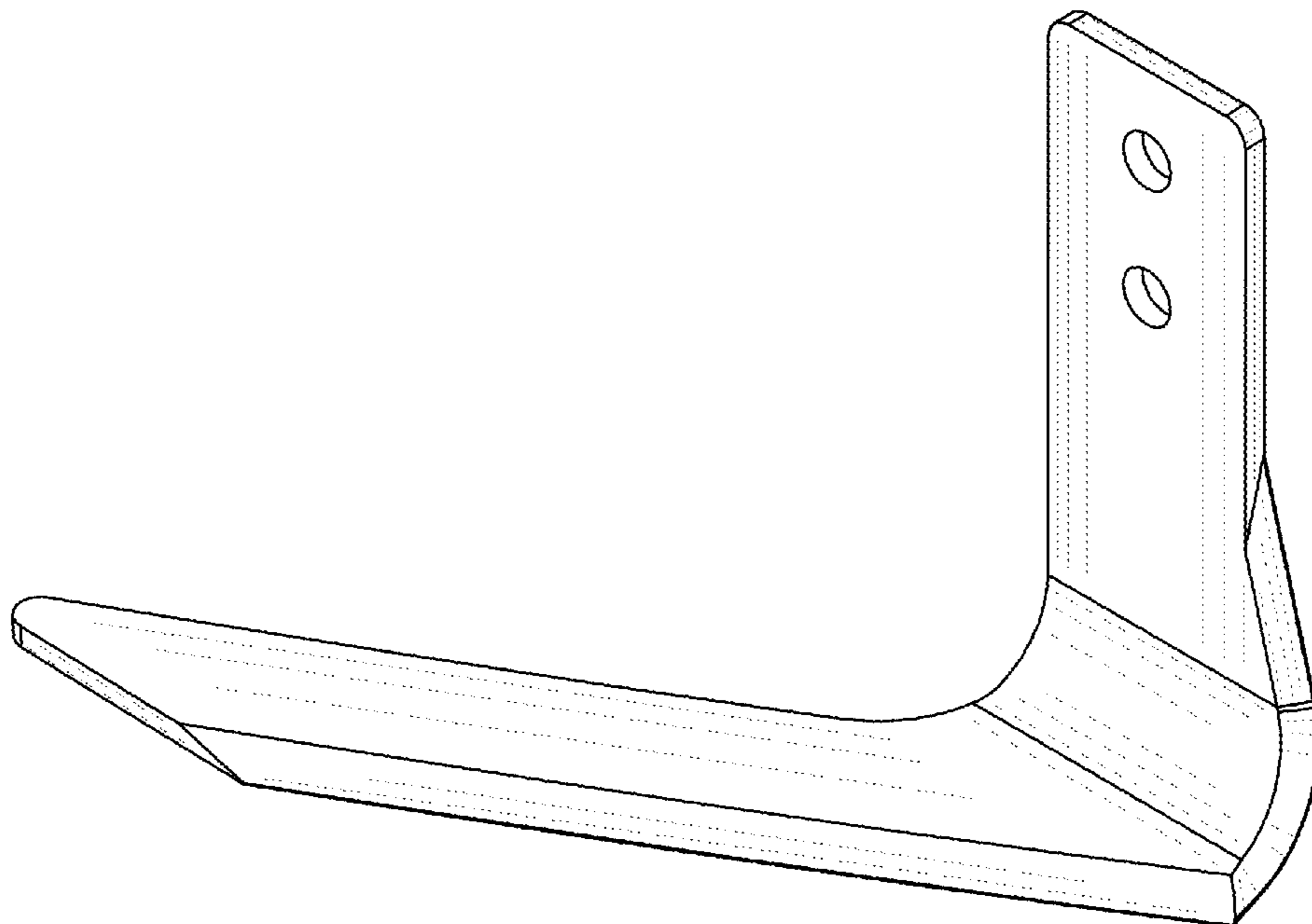
FIG. 1 is a top, left, front perspective view of a shear blade showing my new design;  
FIG. 2 is a top, right, rear perspective view of the shear blade shown in FIG. 1;  
FIG. 3 is a front elevational view of the shear blade shown in FIG. 1;  
FIG. 4 is rear elevational view of the shear blade shown in FIG. 1;  
FIG. 5 is a left side elevational view of the shear blade shown in FIG. 1;  
FIG. 6 is a right side elevational view of the shear blade shown in FIG. 1;  
FIG. 7 is a top plan view of the shear blade shown in FIG. 1; and,  
FIG. 8 is a bottom plan of the shear blade shown in FIG. 1.

**1 Claim, 8 Drawing Sheets**

(56) **References Cited**

**U.S. PATENT DOCUMENTS**

- 2,689,401 A \* 9/1954 Kalish ..... A01G 3/065  
30/248
- D203,269 S \* 12/1965 Beinert ..... 30/262
- D220,307 S \* 3/1971 Liechty ..... D8/12



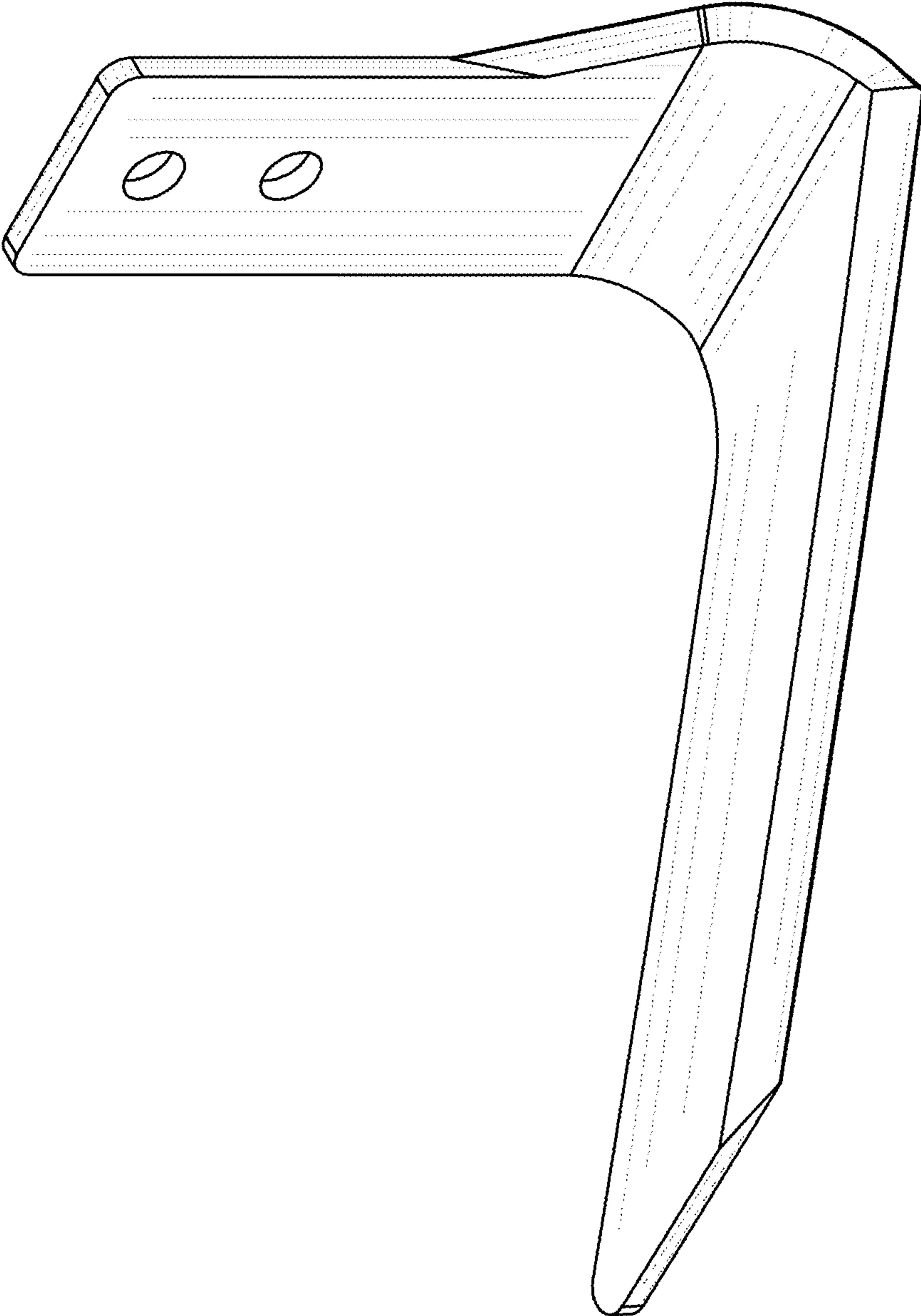


Fig. 1

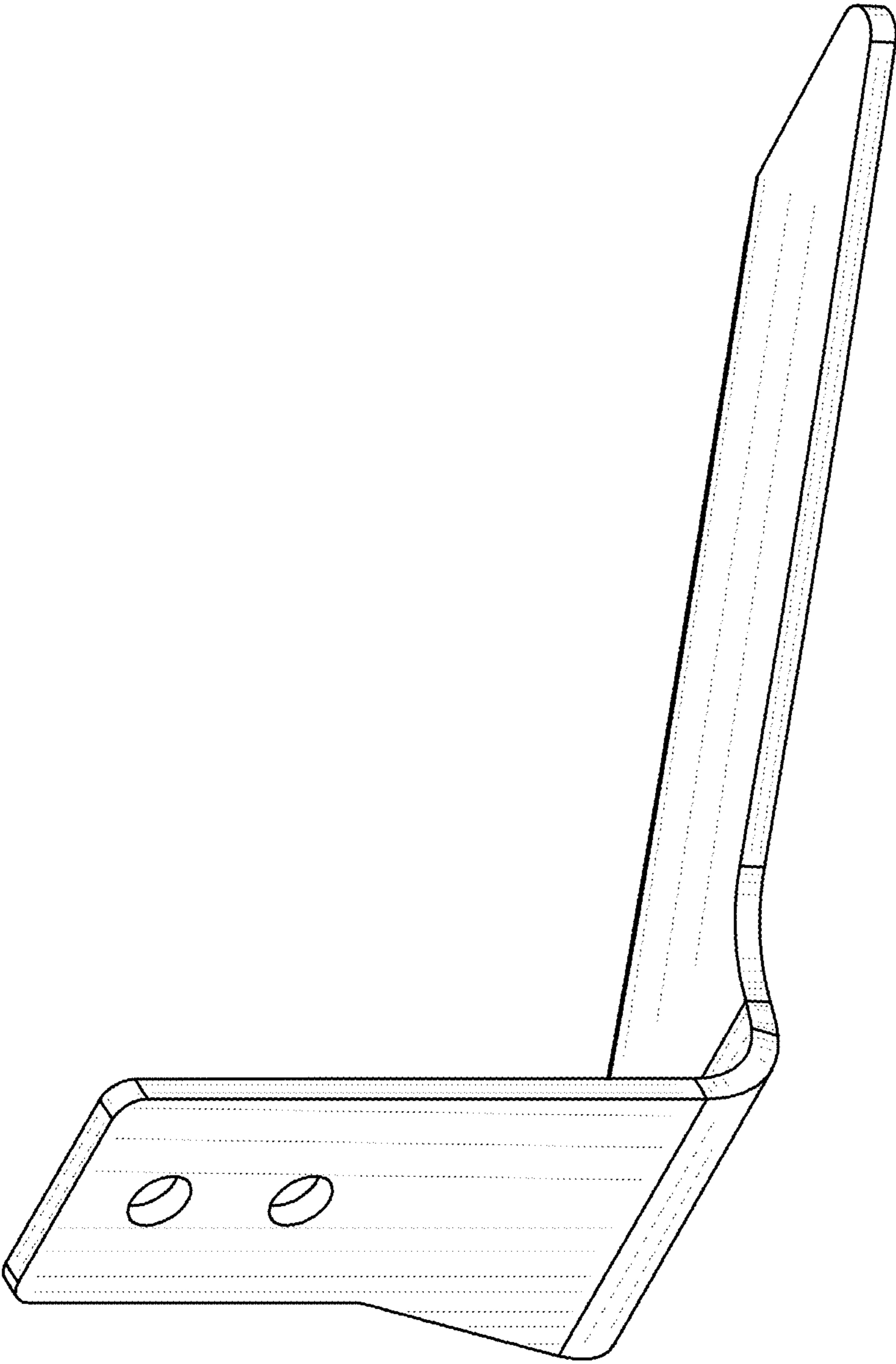


Fig. 2

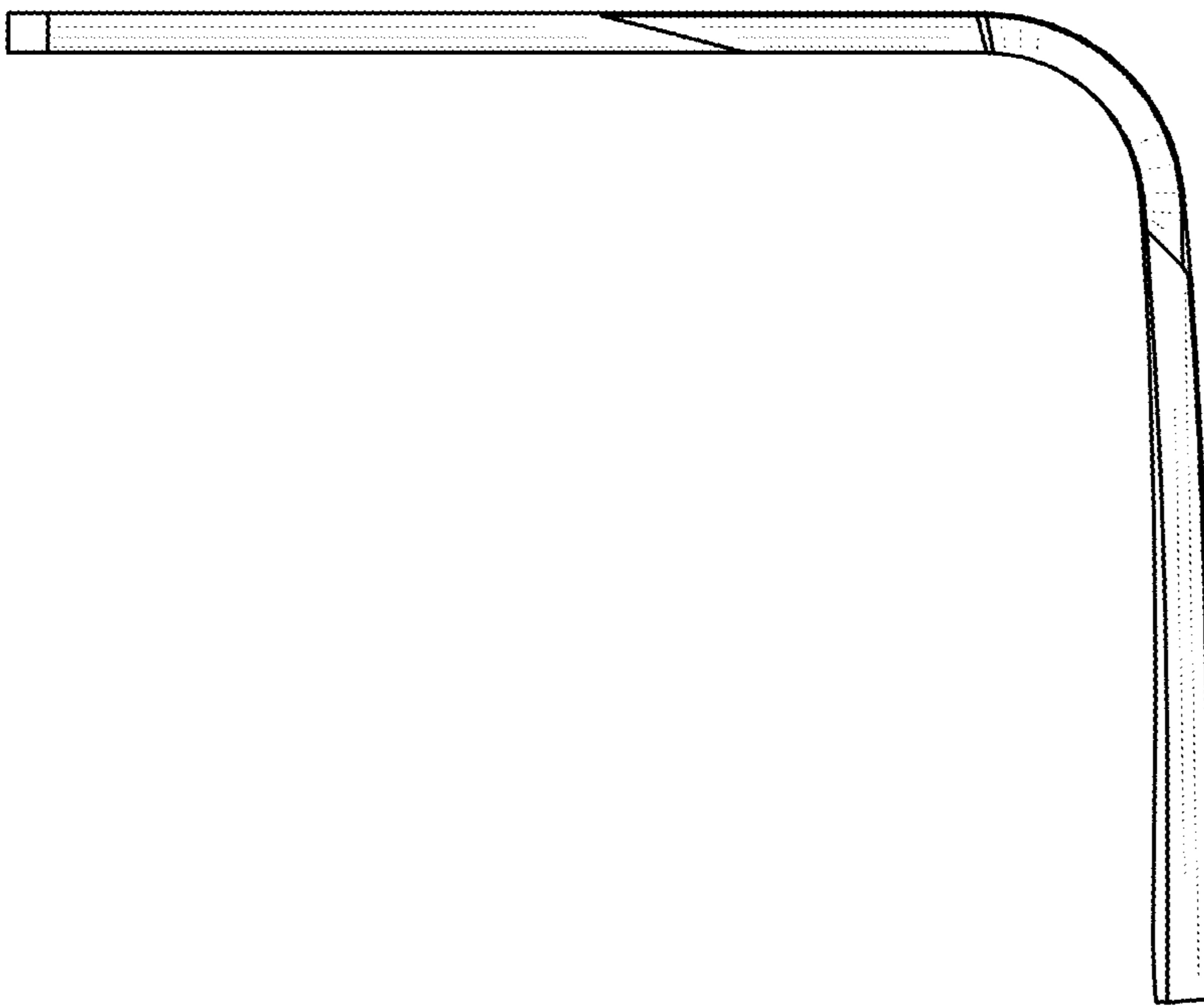


Fig. 3

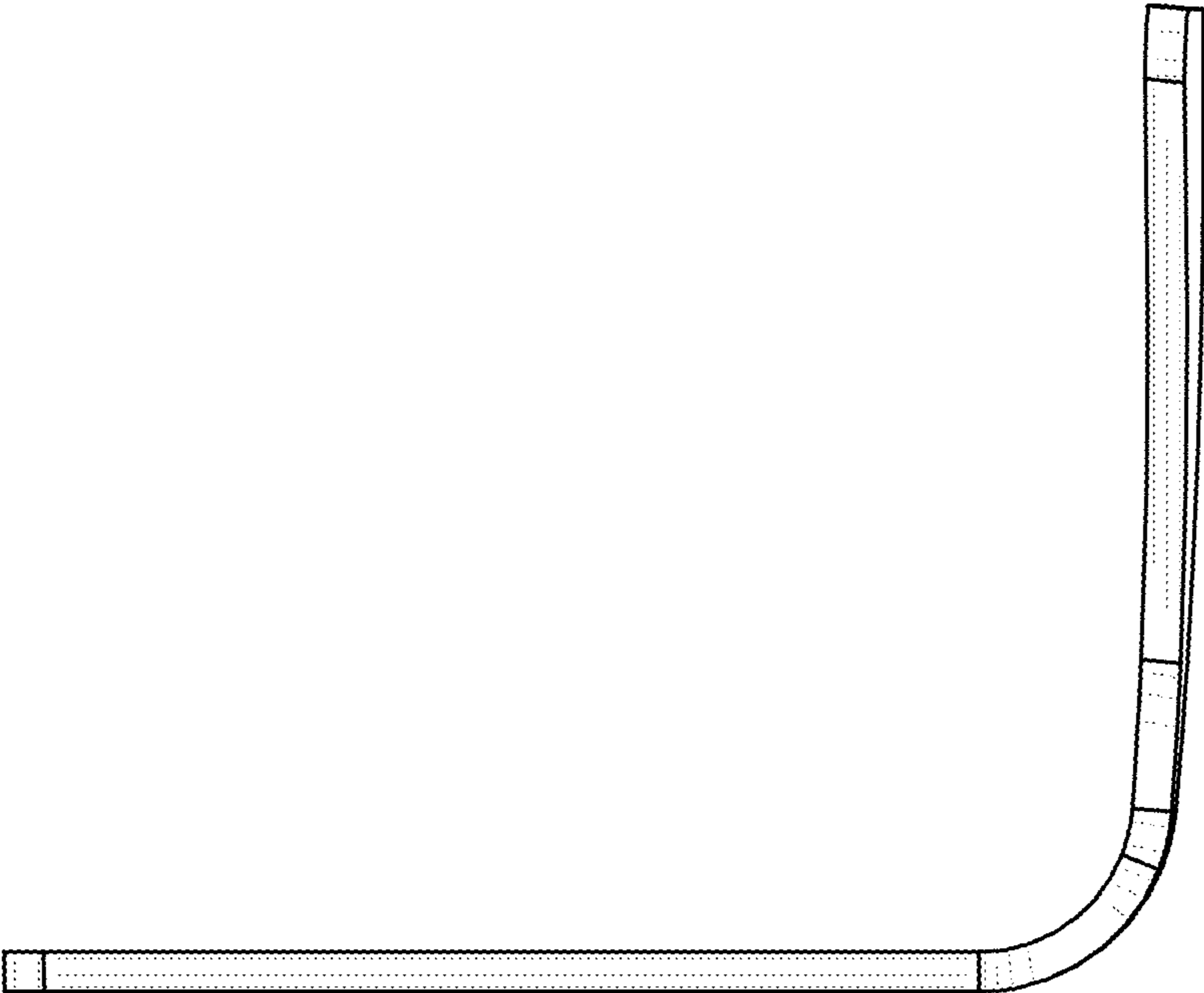


Fig. 4

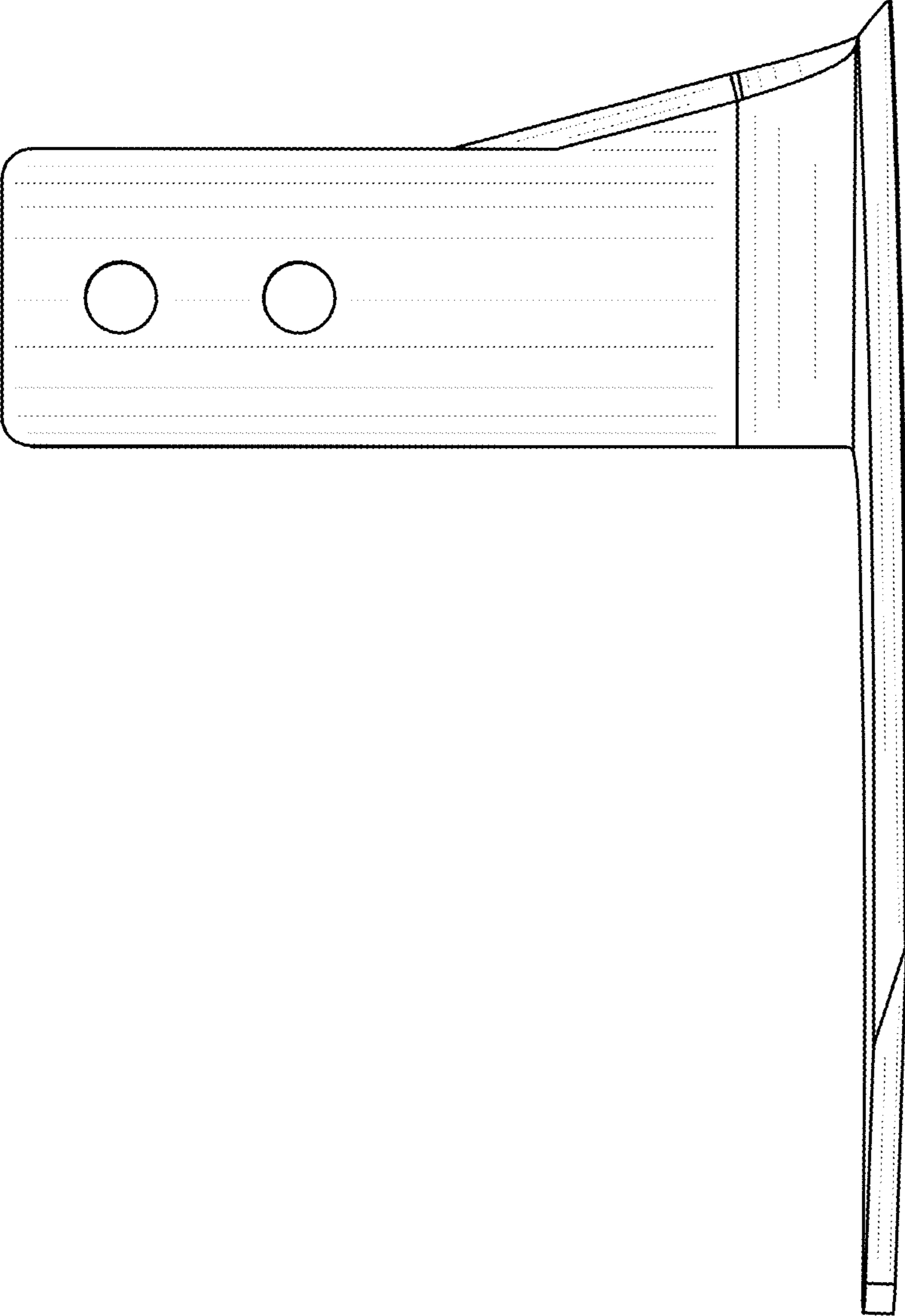


Fig. 5

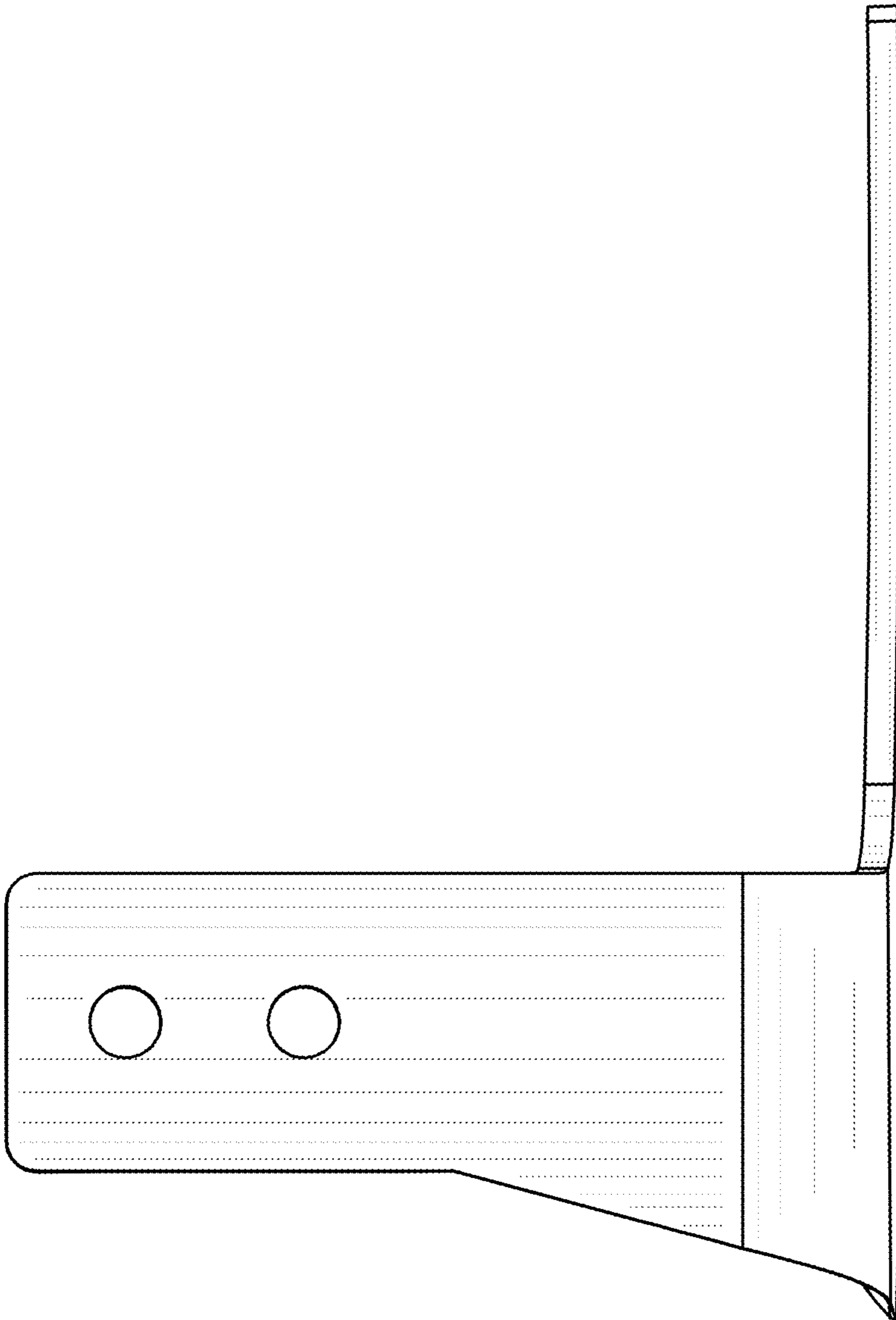


Fig. 6

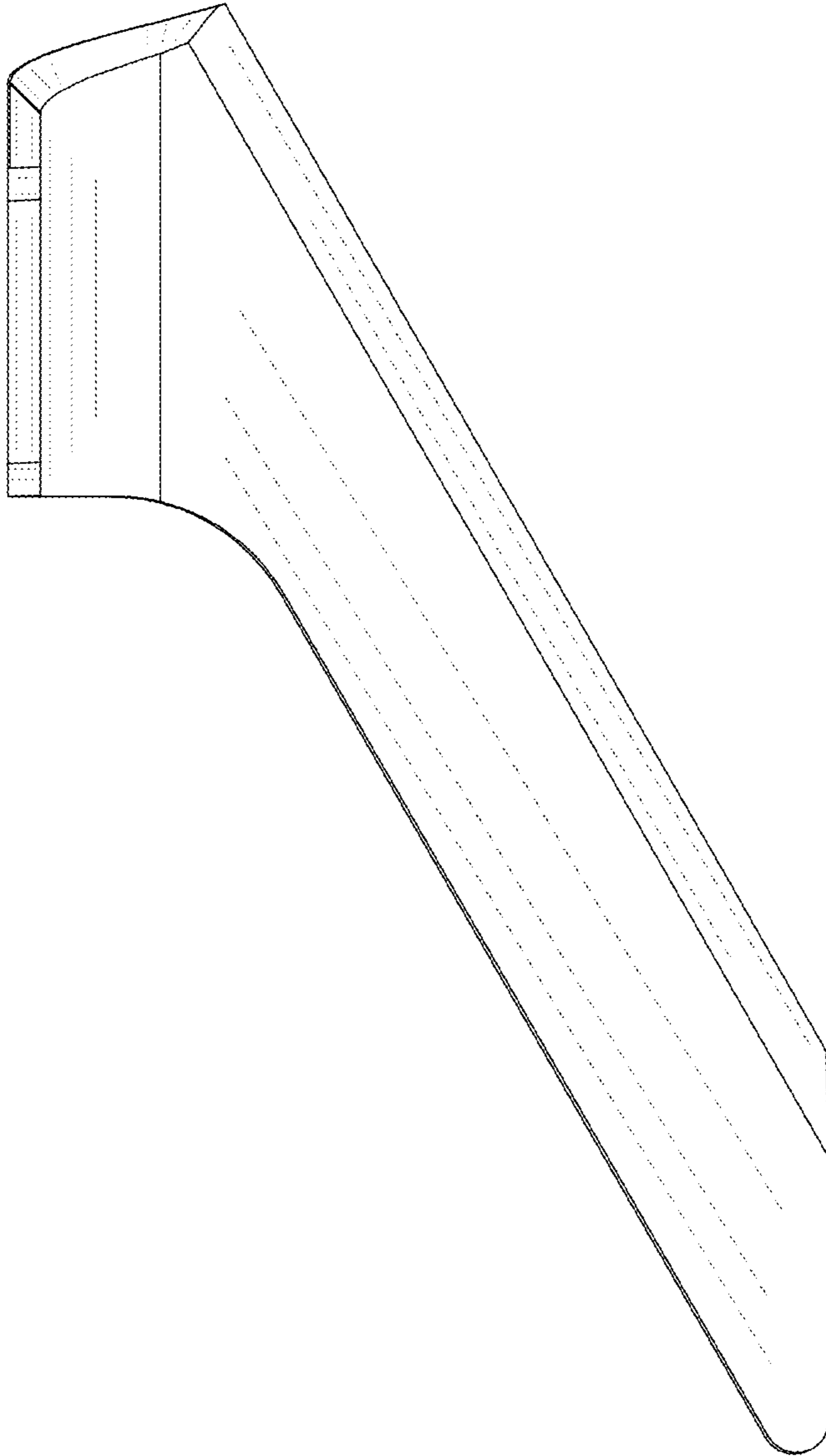


Fig. 7



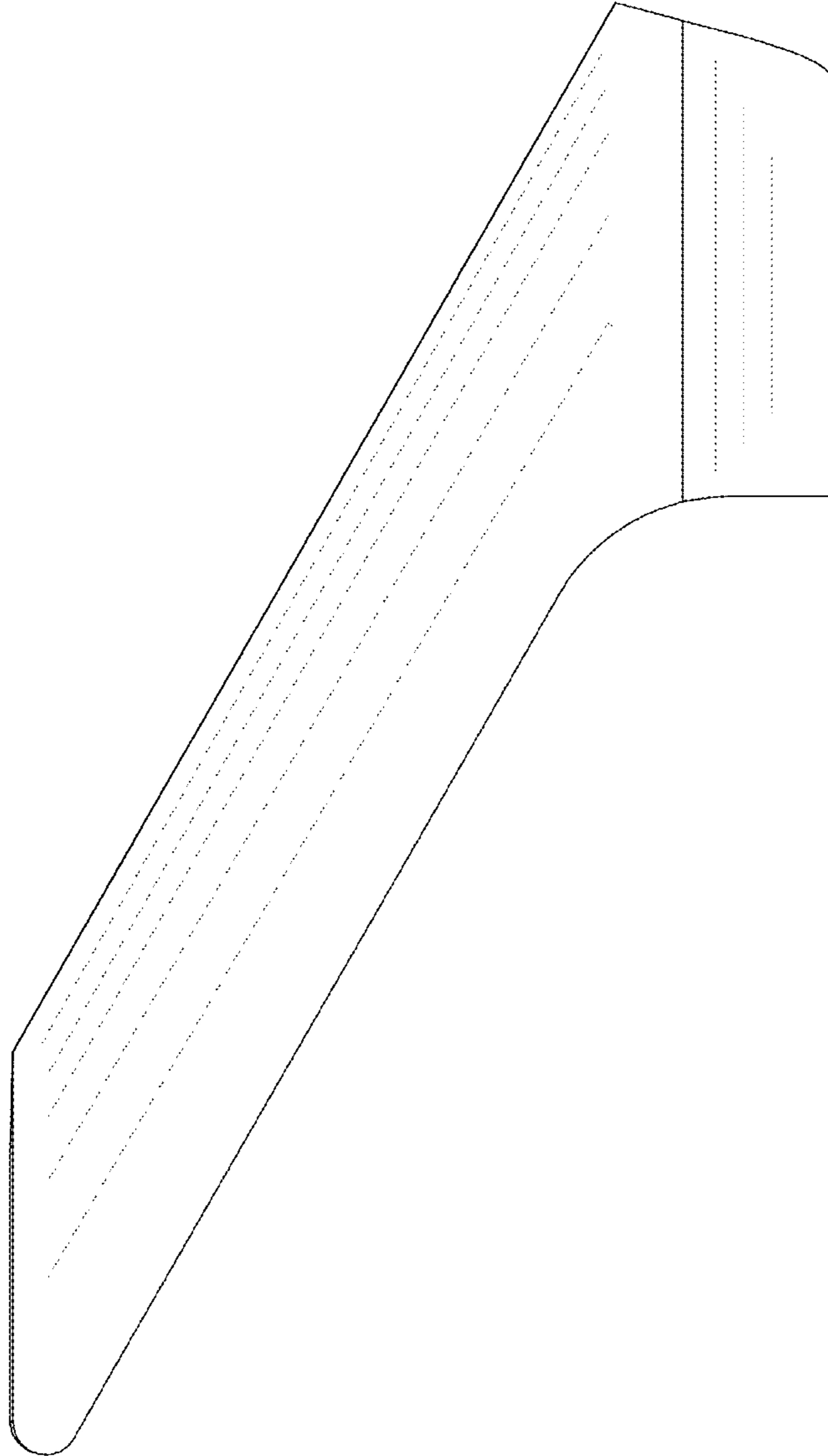


Fig. 8