



US00D807713S

(12) **United States Design Patent** (10) **Patent No.:** **US D807,713 S**
Liu (45) **Date of Patent:** **** Jan. 16, 2018**

(54) **KNIFE BLOCK**
(71) Applicant: **Yunxing Liu**, Irvine, CA (US)
(72) Inventor: **Yunxing Liu**, Irvine, CA (US)
(**) Term: **15 Years**

(21) Appl. No.: **29/549,830**
(22) Filed: **Dec. 28, 2015**
(51) **LOC (11) Cl.** **07-99**
(52) **U.S. Cl.**
USPC **D7/637**
(58) **Field of Classification Search**
USPC D7/637-641; 30/298.4; 211/60.1, 70.6,
211/70.7; 248/37.3, 37.6
CPC A47B 88/20; A47F 7/00; A47G 21/00;
A47G 21/14; B26B 3/00
See application file for complete search history.

(56) **References Cited**
U.S. PATENT DOCUMENTS
4,509,651 A * 4/1985 Prindle A47G 21/14
211/70.6
D434,615 S * 12/2000 Chien D7/637
6,371,312 B1 * 4/2002 Tsuchida A47G 21/14
211/70.7
D482,245 S * 11/2003 Smekh D7/641
6,854,186 B2 * 2/2005 Basden A47G 21/14
248/37.3
7,434,693 B2 * 10/2008 Mosko A47G 21/14
206/553
D611,309 S * 3/2010 Bodum D7/637

2004/0211737 A1* 10/2004 Siegel A47G 21/14
211/70.7
2008/0060204 A1* 3/2008 Chen A47G 21/14
30/298.4
2008/0060205 A1* 3/2008 Schmidt A47G 21/14
30/298.4

OTHER PUBLICATIONS

BergHOFF 7-Piece Forged Knife Block, announced Sep. 2009, [online], site visited Jan. 22, 2017. Available from Internet, <URL: <http://www.amazon.com>>.*

* cited by examiner

Primary Examiner — Derrick Holland
Assistant Examiner — Janice Patyk

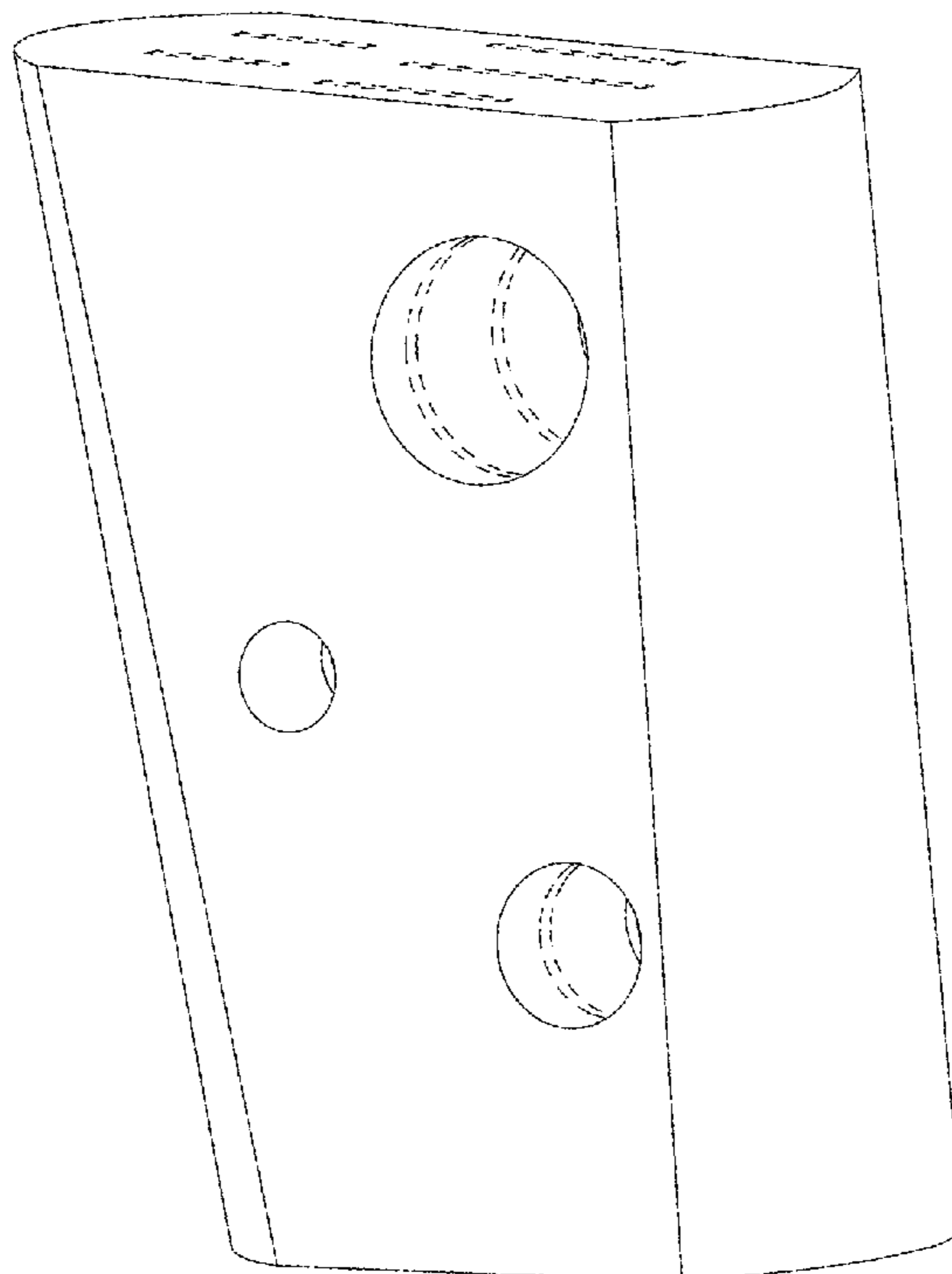
(57) **CLAIM**

The ornamental design for a knife block, as shown and described.

DESCRIPTION

FIG. 1 is a left-side perspective view of a knife block, showing my new design.
FIG. 2 is a left-side view thereof, and the right side being a mirror image thereof.
FIG. 3 is a top view thereof.
FIG. 4 is a bottom view thereof.
FIG. 5 is a rear view thereof; and,
FIG. 6 is a front view thereof.
The broken line portions show unclaimed subject matter only and form no part of the claimed design.

1 Claim, 4 Drawing Sheets



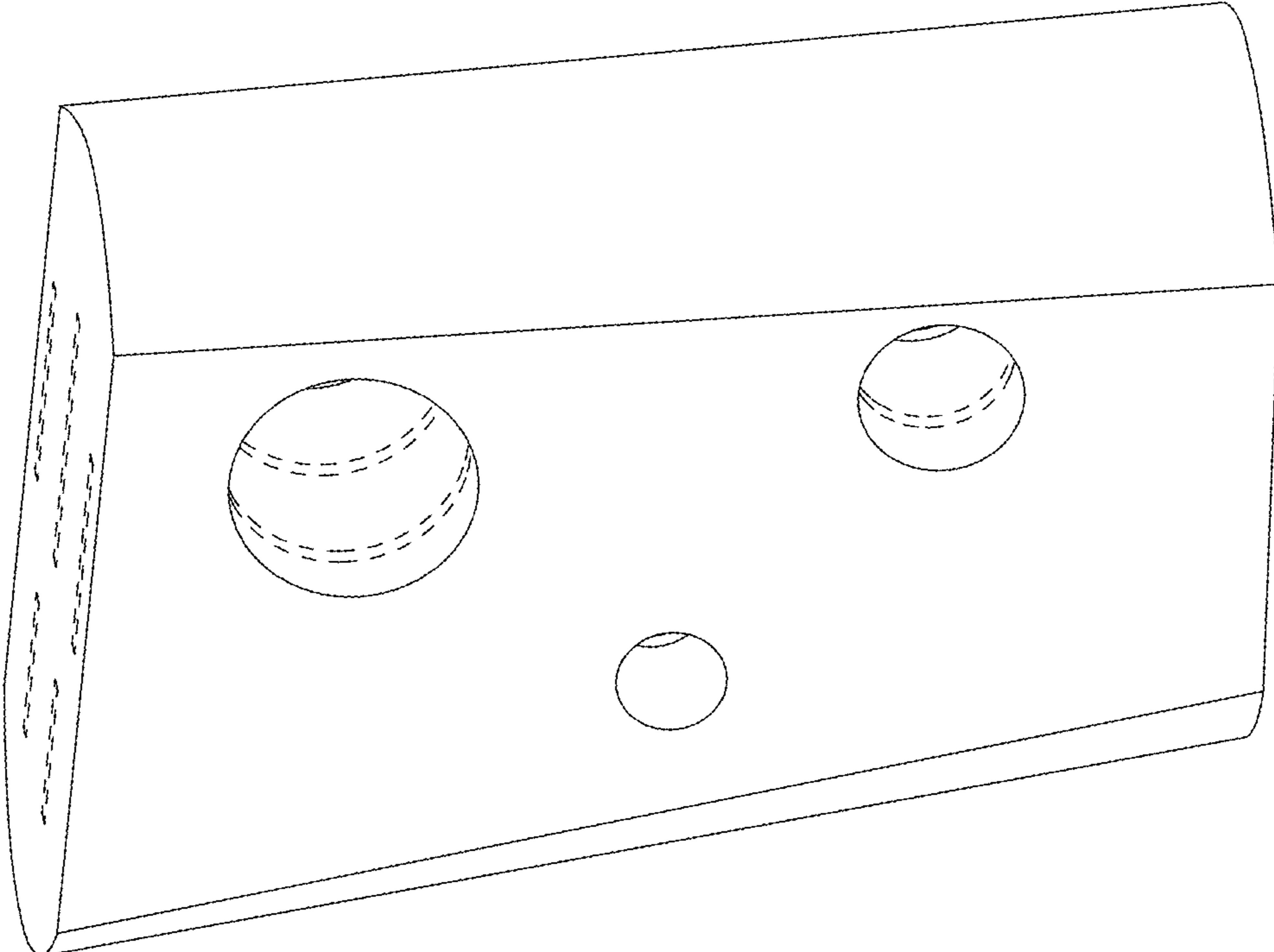


Fig. 1

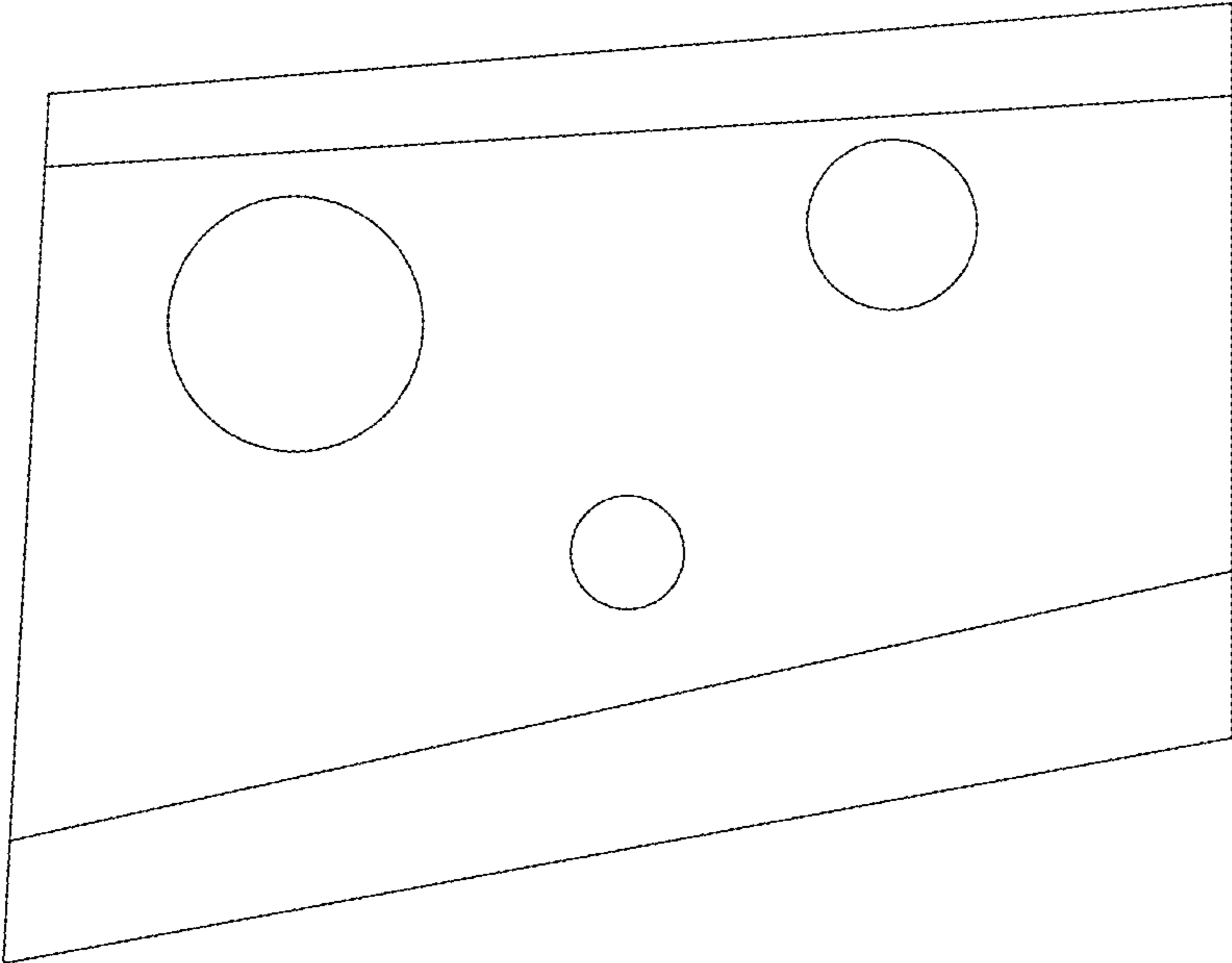


Fig. 2

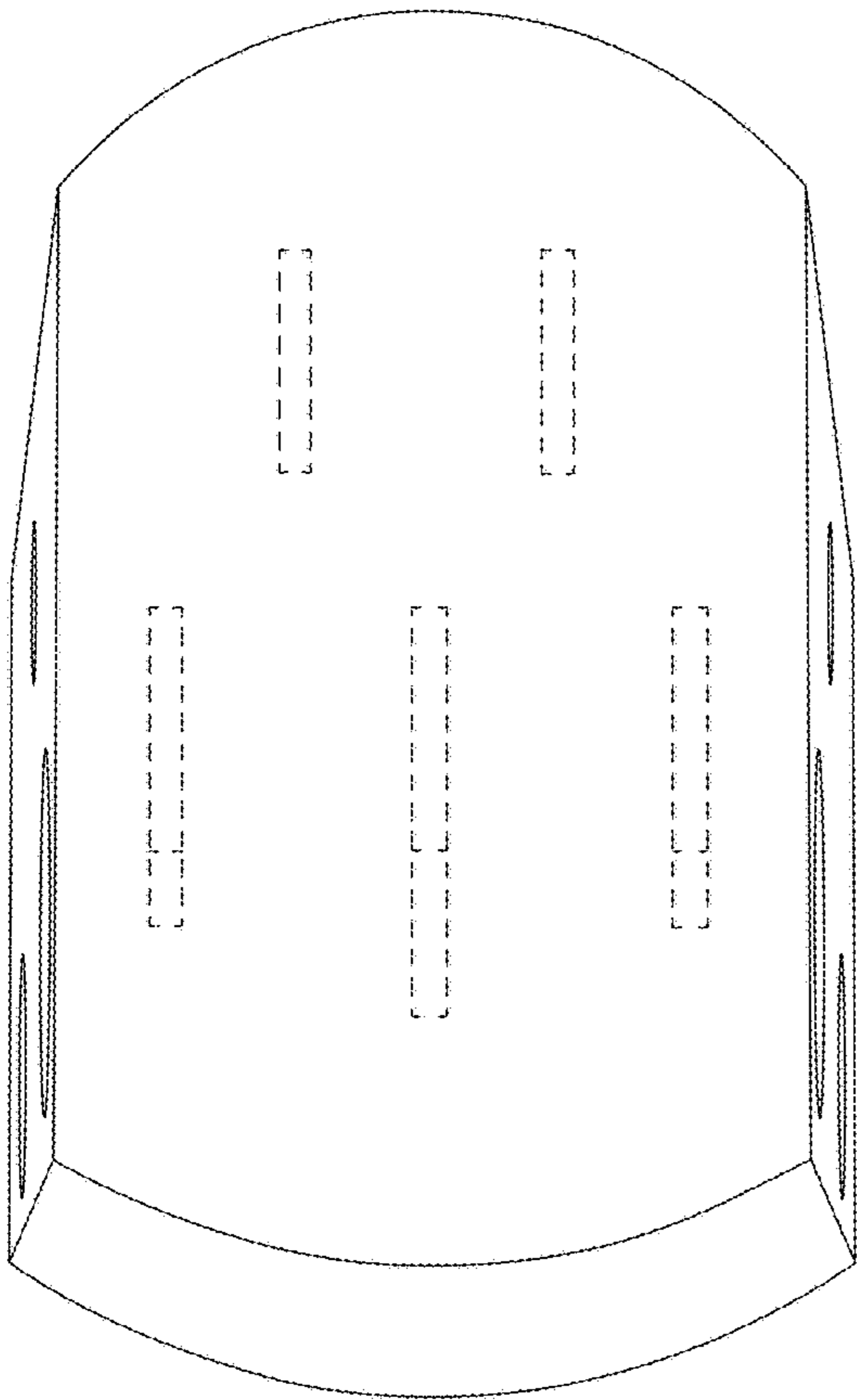


Fig. 3

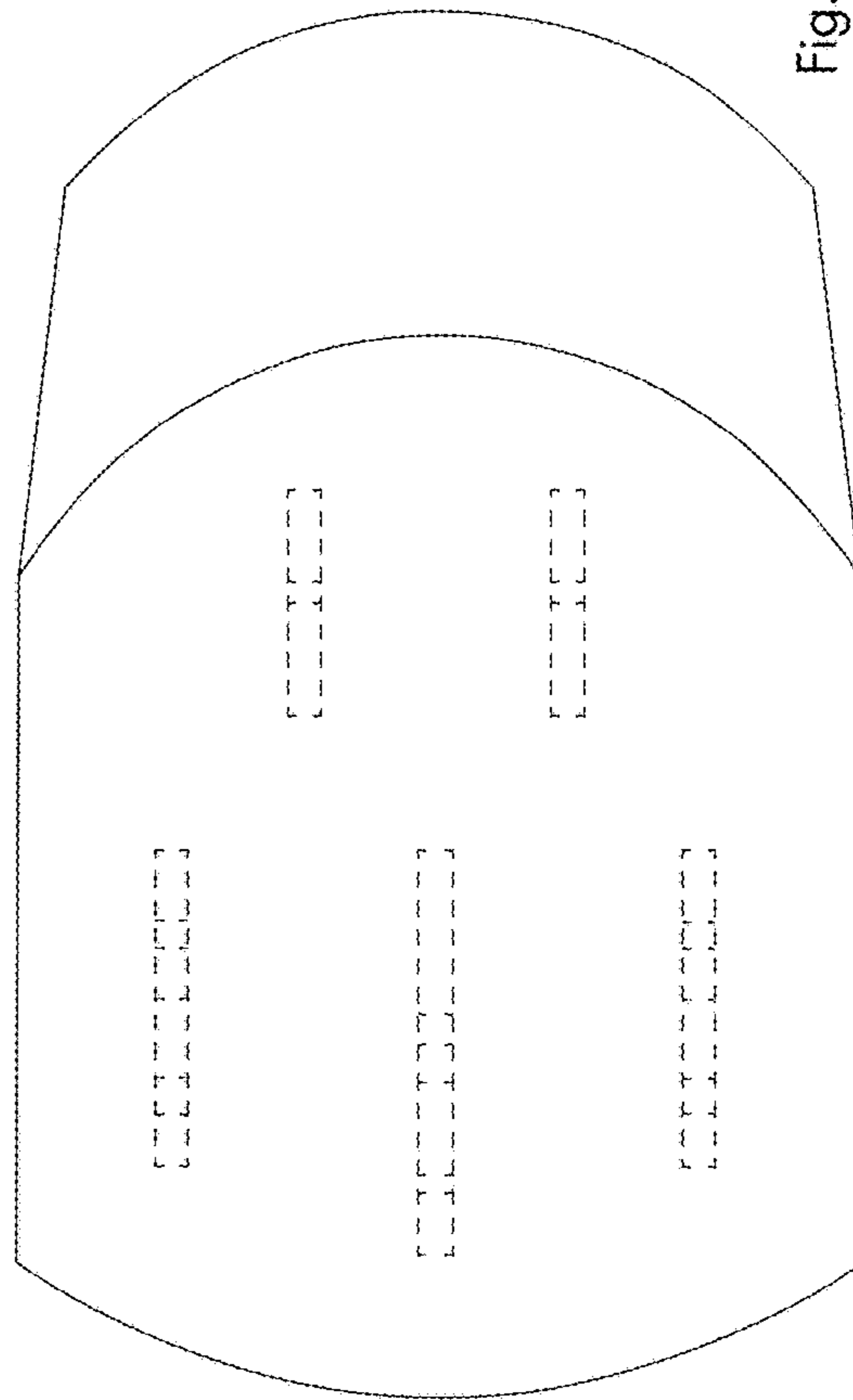


Fig. 4

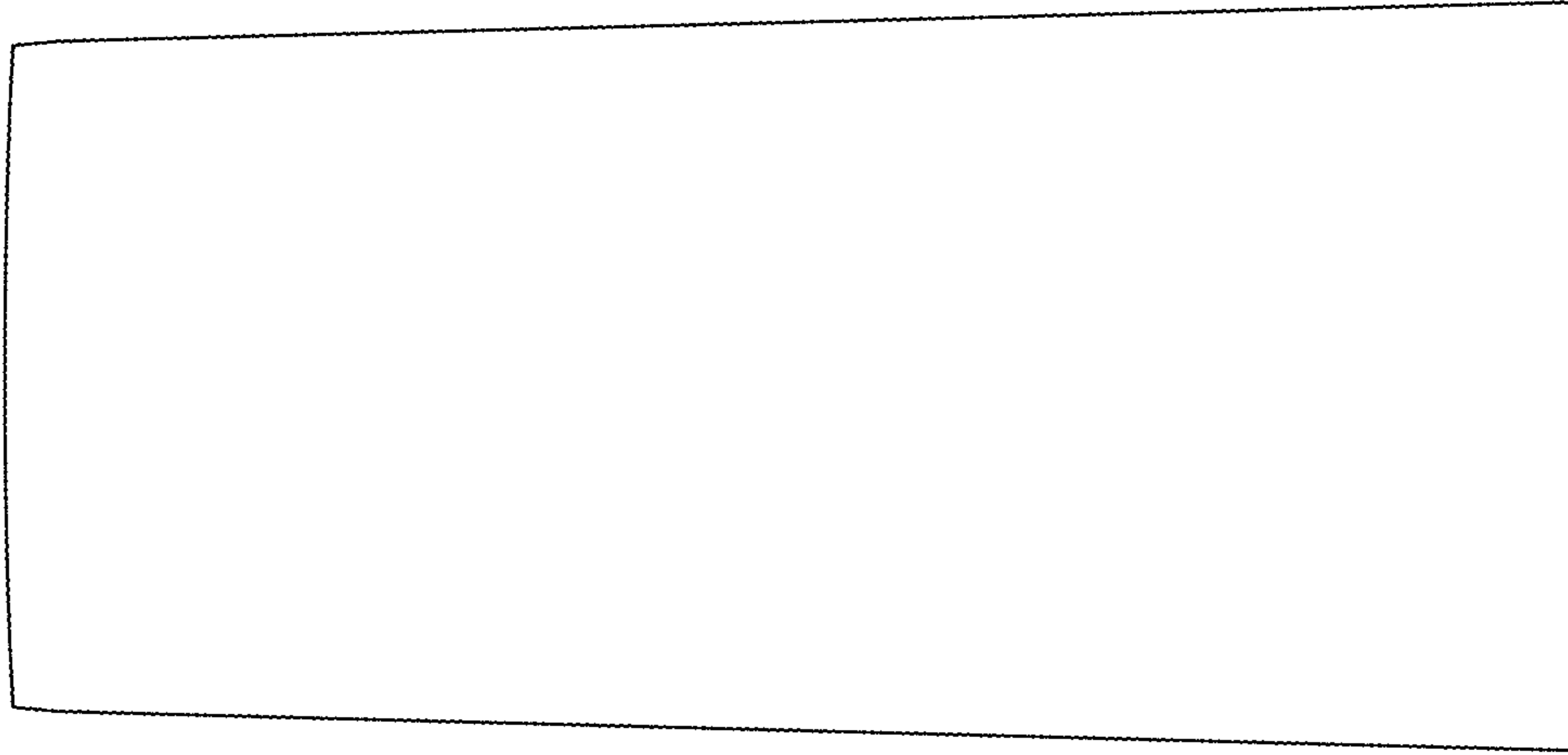


Fig. 6

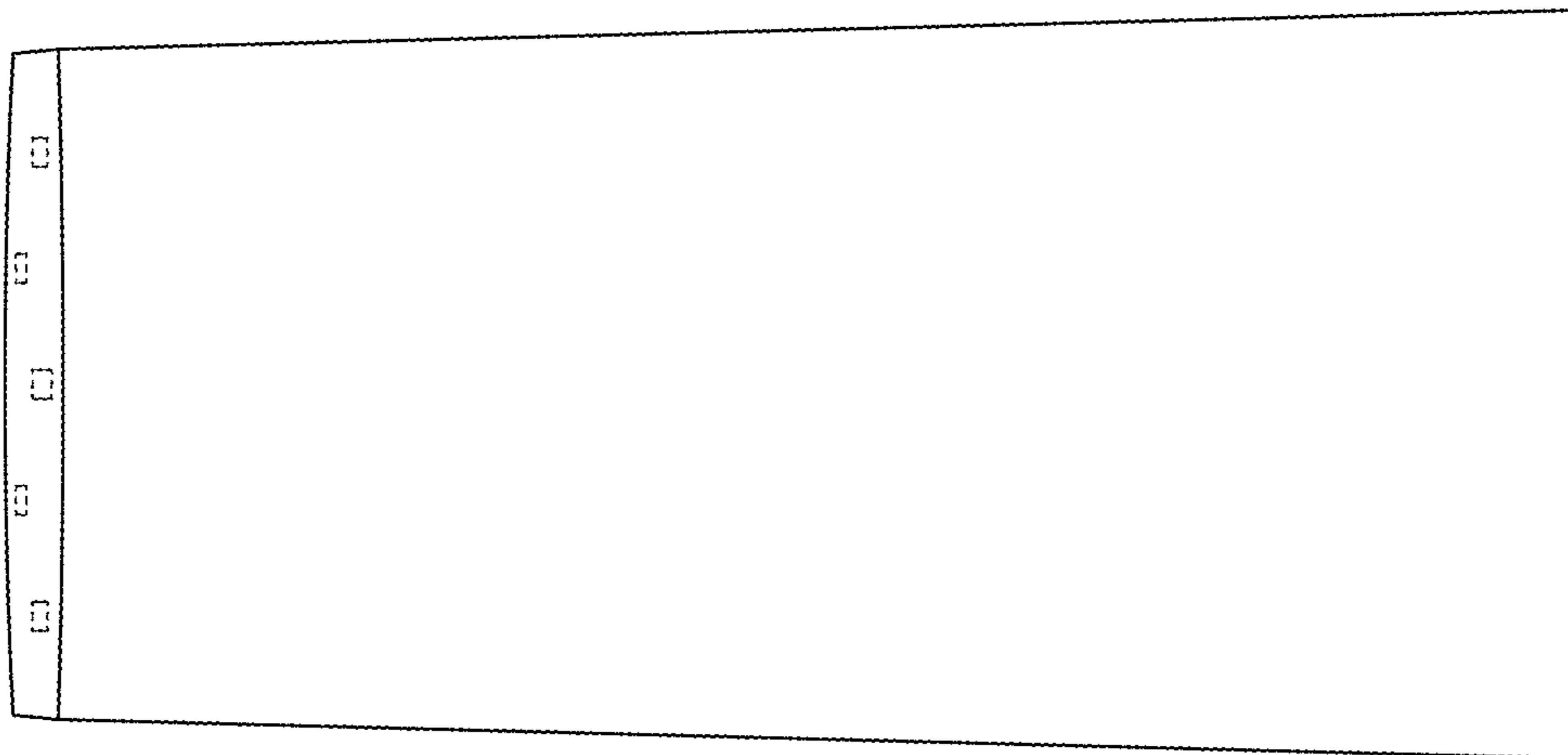


Fig. 5