



US00D807712S

(12) **United States Design Patent**  
**Miller et al.**

(10) **Patent No.:** **US D807,712 S**  
(45) **Date of Patent:** **\*\* Jan. 16, 2018**

- (54) **HOLDER FOR CAN OR BOTTLE**
- (71) Applicant: **Ignite USA, LLC**, Chicago, IL (US)
- (72) Inventors: **Blair Miller**, Chicago, IL (US); **Jeffrey Chiu**, Chicago, IL (US)
- (73) Assignee: **Ignite USA, LLC**, Chicago, IL (US)

8,251,247 B1 \* 8/2012 Breckner ..... A47G 23/0266  
220/592.16  
2008/0017654 A1 \* 1/2008 Chu ..... B65D 81/3886  
220/739  
2008/0164269 A1 \* 7/2008 Vorderkunz ..... B65D 81/3874  
220/739  
2011/0192859 A1 \* 8/2011 Belford ..... B65D 81/3876  
220/739

(\*\*) Term: **15 Years**

\* cited by examiner

(21) Appl. No.: **29/578,419**

*Primary Examiner* — Terry A Wallace

(22) Filed: **Sep. 21, 2016**

(51) **LOC (11) Cl.** ..... **07-06**

(52) **U.S. Cl.**

USPC ..... **D7/624.2**; D7/608

(58) **Field of Classification Search**

USPC ..... D7/619.1–625, 603–608; D9/444  
CPC ..... A47G 23/0258; A47G 23/0216; A47G  
23/0266; A47G 2023/0291; A47J 41/02;  
A47J 41/0077; B65D 81/3876; B65D  
81/3879; B65D 81/3881; B65D 81/3883;  
B65D 81/3886; F25D 3/08; F25D  
2331/804; A45C 11/20; F17C 13/001  
See application file for complete search history.

(56) **References Cited**

**U.S. PATENT DOCUMENTS**

D282,234 S \* 1/1986 Henderson ..... D7/608  
4,798,063 A \* 1/1989 Rimmer ..... B65D 81/3886  
62/371

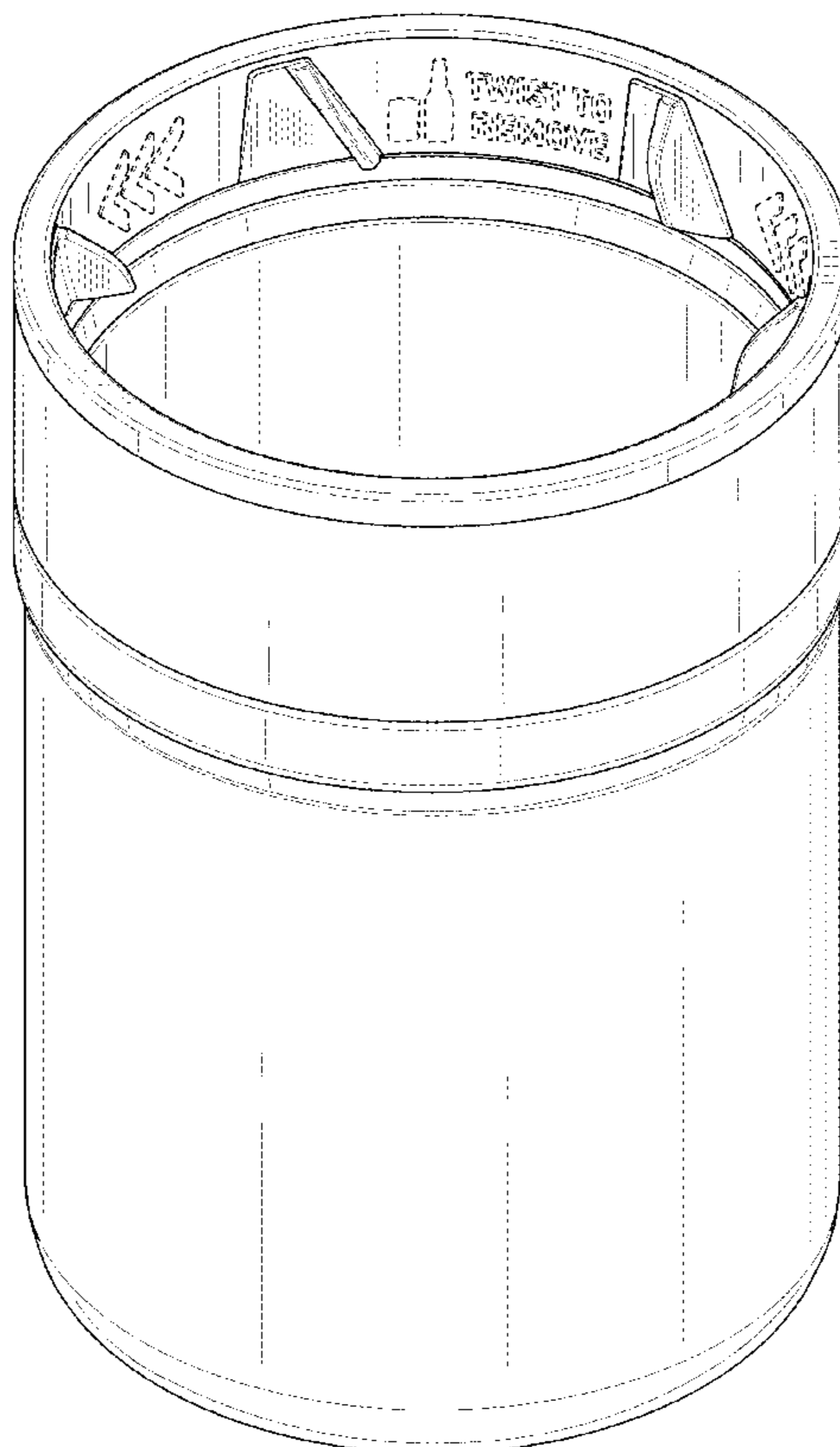
(57) **CLAIM**

The ornamental design for a “holder for can or bottle,” as shown and described.

**DESCRIPTION**

FIG. 1 is a perspective view of a holder for can or bottle showing a new design;  
FIG. 2 is a back view thereof;  
FIG. 3 is a front view thereof;  
FIG. 4 is a left view thereof;  
FIG. 5 is a right view thereof;  
FIG. 6 is a top view thereof; and,  
FIG. 7 is a bottom view thereof.  
The subject matter shown in dashed lines is for illustrative purposes and forms no part of the claimed design.

**1 Claim, 7 Drawing Sheets**



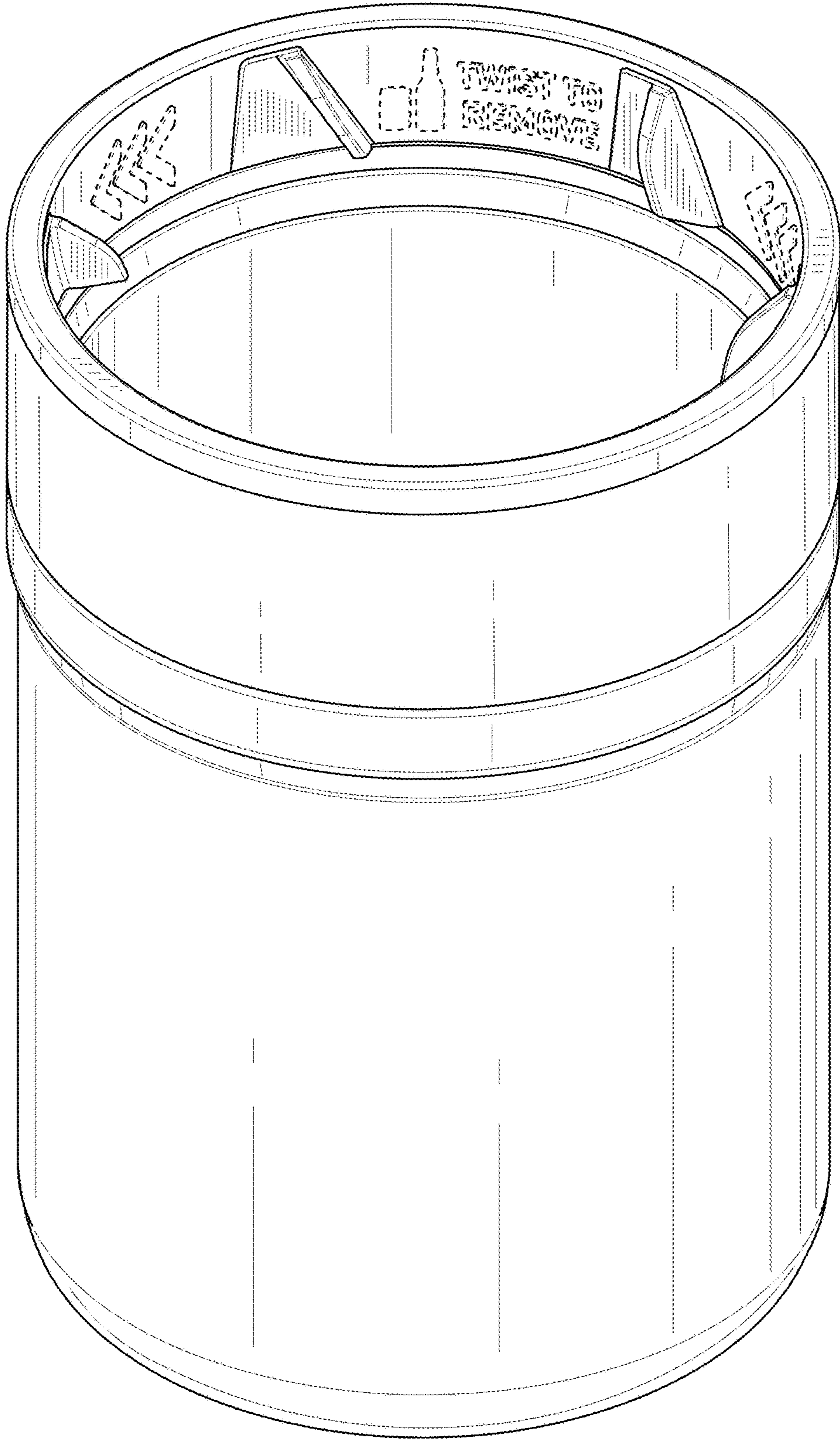


FIG. 1

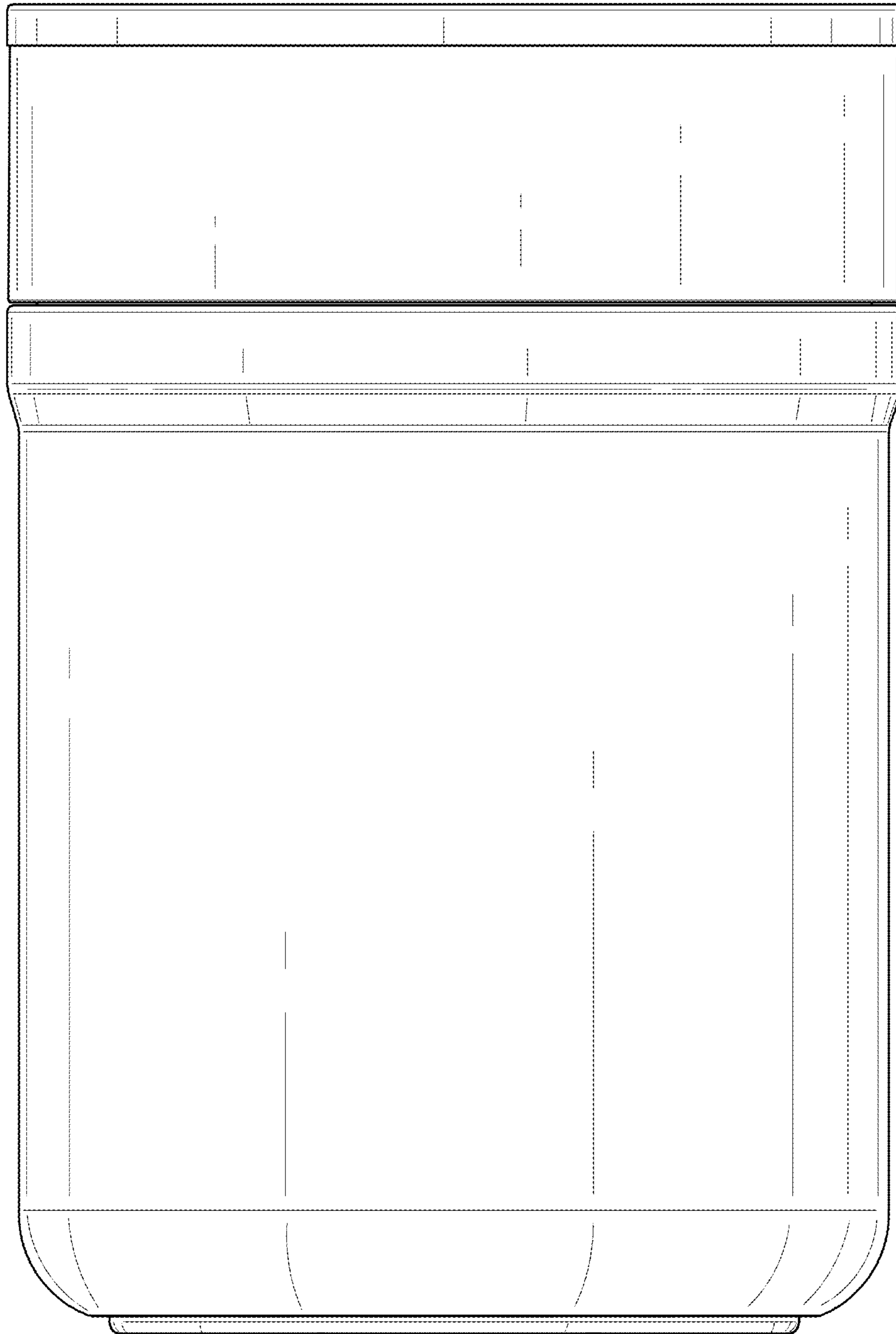


FIG. 2

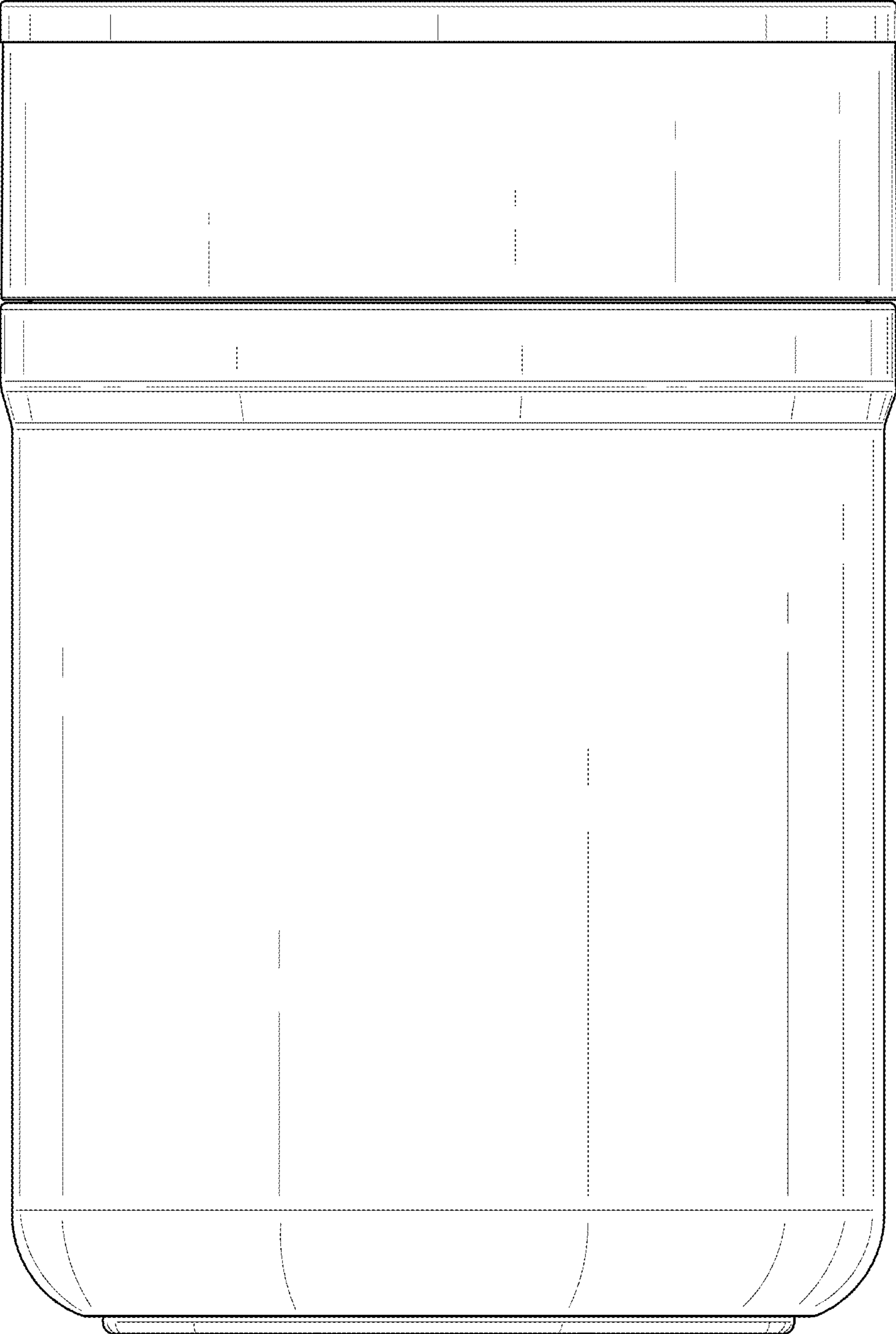


FIG. 3

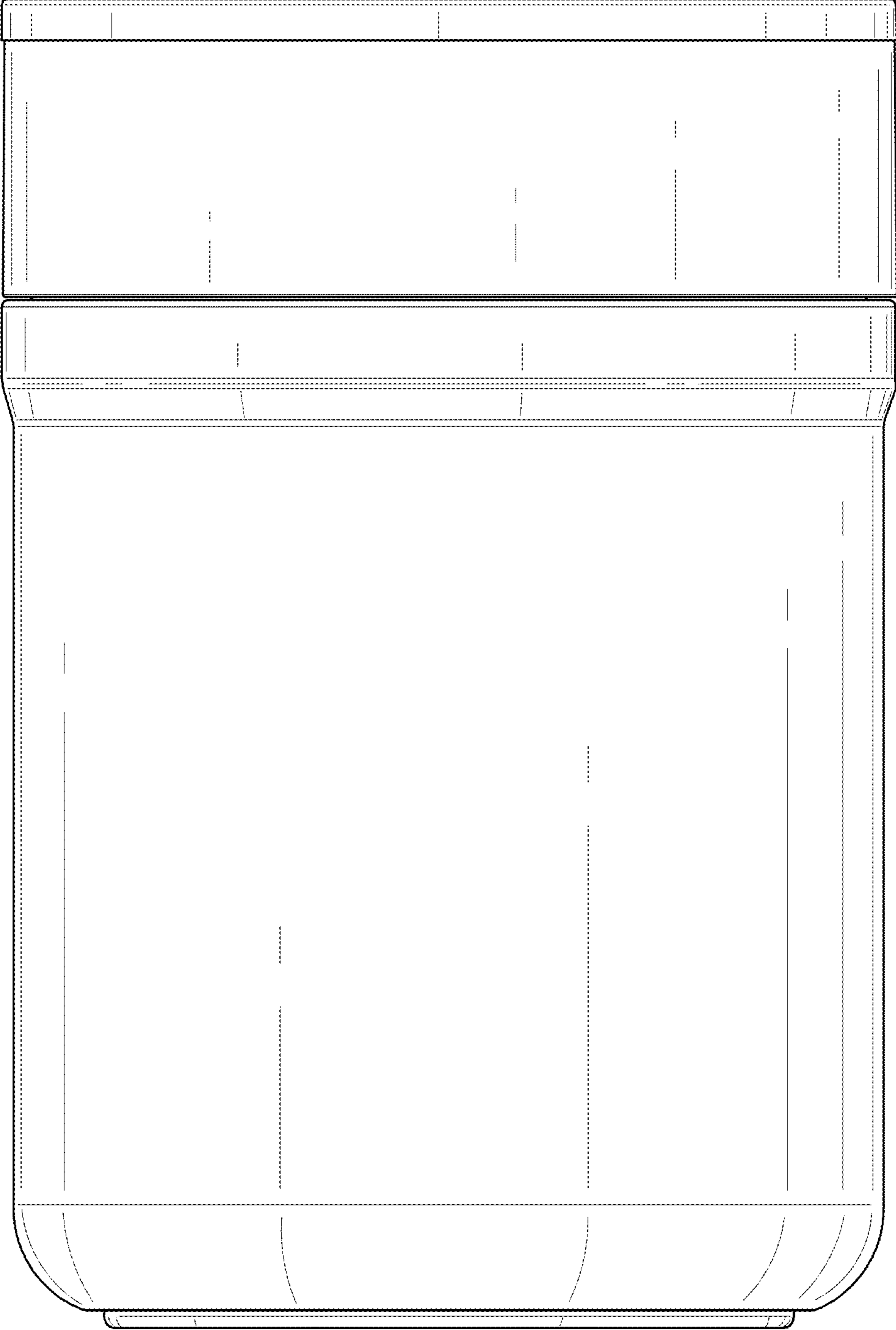


FIG. 4

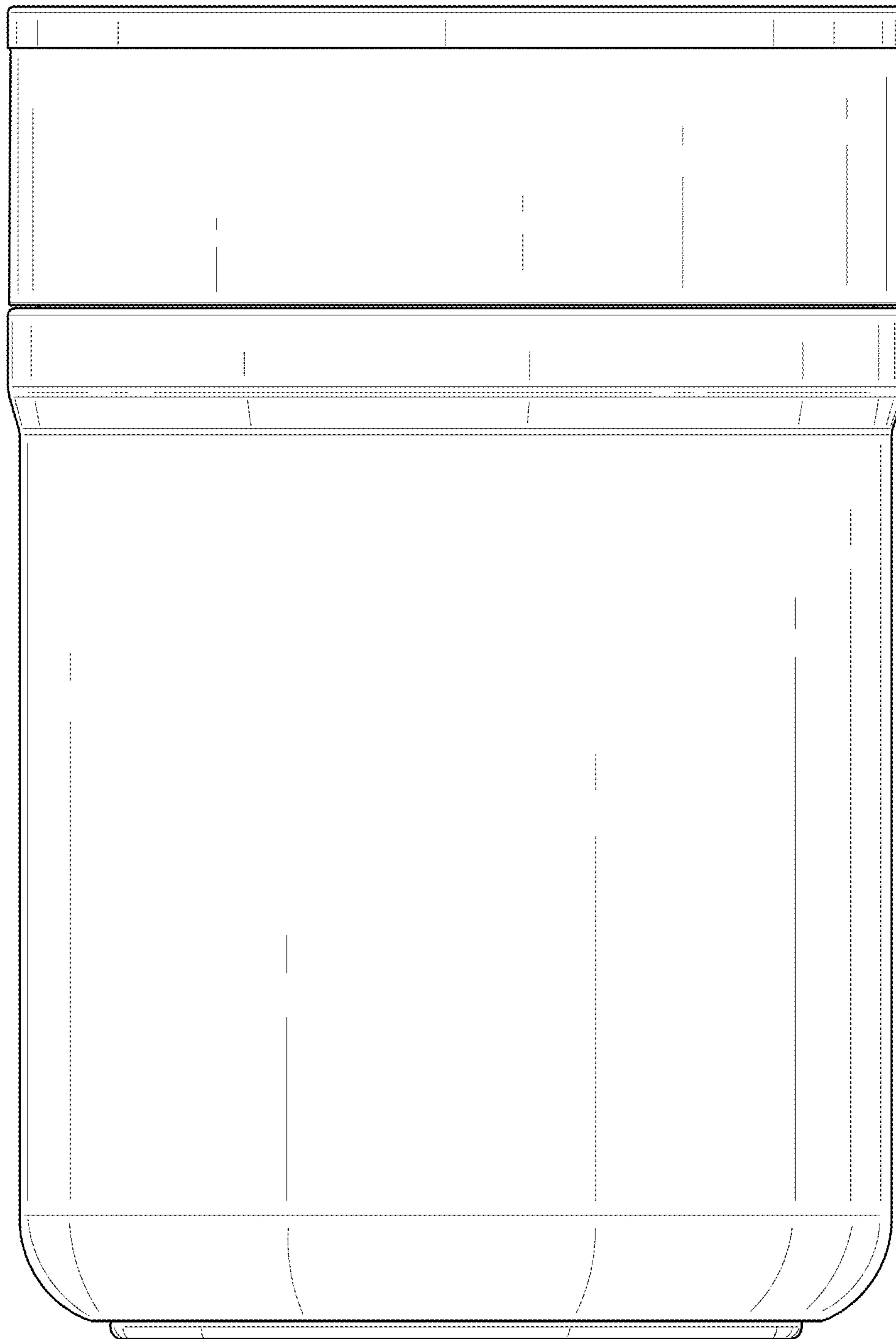


FIG. 5

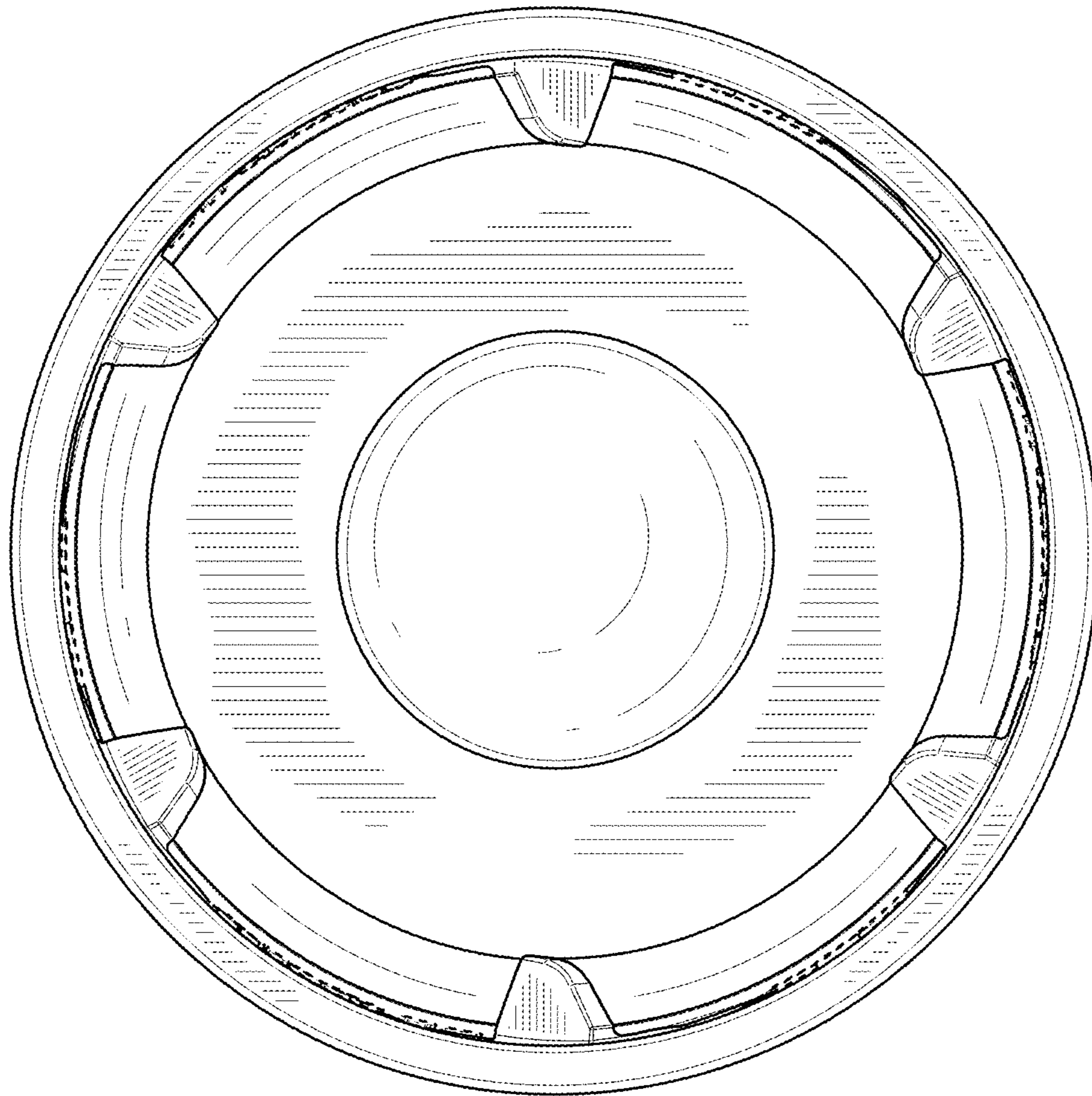


FIG. 6

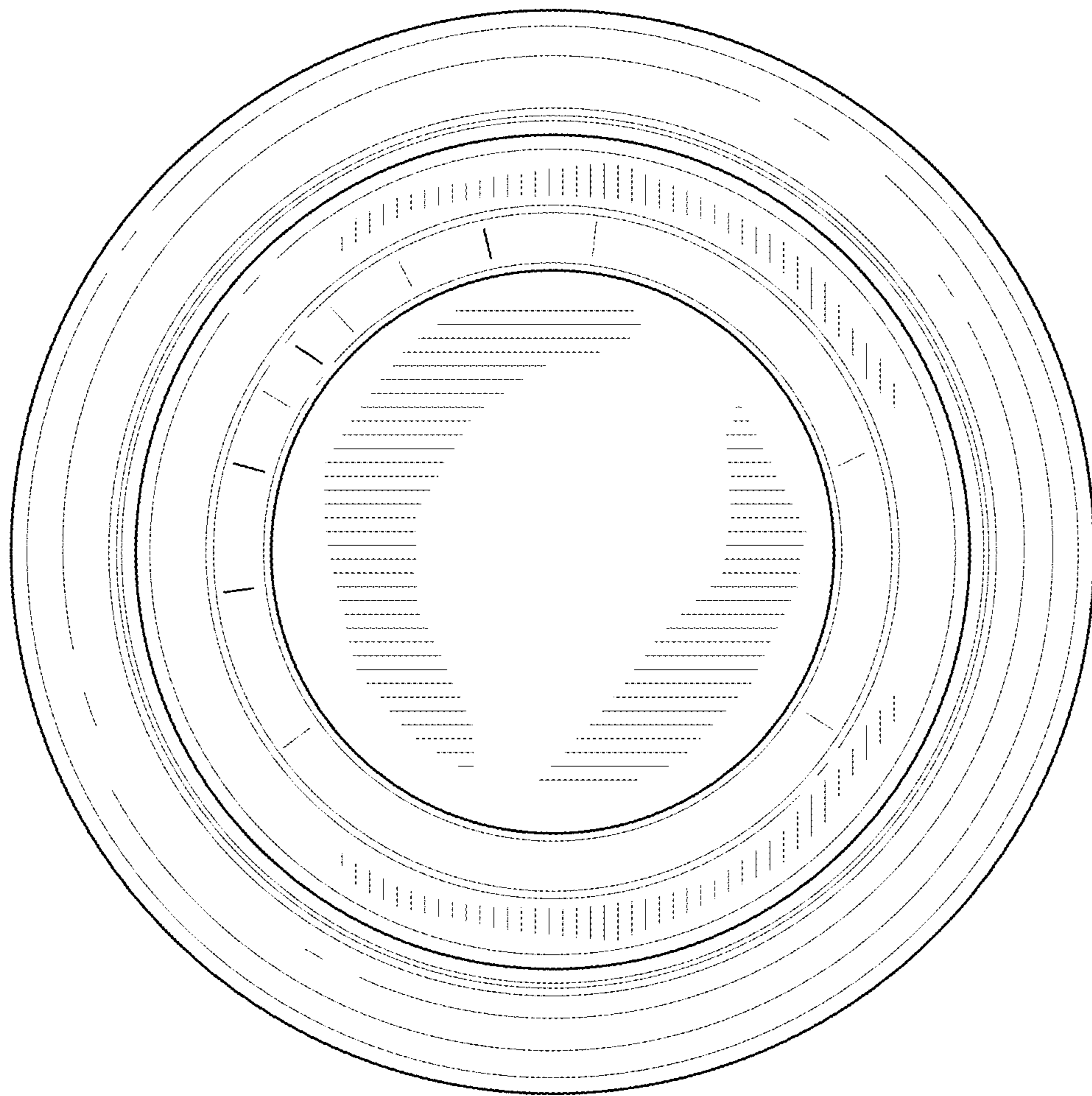


FIG. 7