

US00D807710S

(12) **United States Design Patent**
Halter

(10) **Patent No.:** **US D807,710 S**
(45) **Date of Patent:** **** Jan. 16, 2018**

(54) **BOTTLE COOLER**

(71) Applicant: **KAJOBAY GMBH**, Rodgau (DE)

(72) Inventor: **Christen Halter**, Hong Kong (CN)

(**) Term: **15 Years**

(21) Appl. No.: **35/500,594**

(22) Filed: **Aug. 14, 2015**

(80) **Hague Agreement Data**

Int. Filing Date: **Aug. 14, 2015**

Int. Reg. No.: **DM/087424**

Int. Reg. Date: **Aug. 14, 2015**

Int. Reg. Pub. Date: **Feb. 19, 2016**

(51) **LOC (11) Cl.** **07-06**

(52) **U.S. Cl.**
USPC **D7/607**
CPC **F25D 3/08** (2013.01)

(58) **Field of Classification Search**

USPC D2/712-718, 731, 738, 743, 607;
D7/602-613, 619.1, 624.1, 624.3;
D9/444; 62/457.1-457.4, 529, 530;
220/737-739, 902, 903
CPC F25D 3/08; F25D 3/10
See application file for complete search history.

(56) **References Cited**

U.S. PATENT DOCUMENTS

- 2,376,194 A * 5/1945 Samuels B65D 65/08
215/12.1
- D247,392 S * 2/1978 Coleman D3/202
- 4,871,597 A * 10/1989 Hobson B65D 81/3886
215/12.1
- D371,725 S * 7/1996 Moreno D7/624.3
- 5,915,580 A * 6/1999 Melk B65D 23/08
215/386
- D417,369 S * 12/1999 Rausch D3/202
- 6,019,245 A * 2/2000 Foster B65D 81/3881
215/11.6
- D470,310 S * 2/2003 Walley D7/607

- D505,837 S * 6/2005 Lima D7/603
- D524,157 S * 7/2006 Bolden D7/607
- D524,608 S * 7/2006 Zacharias D7/606
- D567,031 S * 4/2008 Zacharias D7/624.3
- D601,862 S * 10/2009 Welch D7/607
- D611,773 S * 3/2010 Burton D7/624.2
- D614,001 S * 4/2010 Welch D7/605
- D623,022 S * 9/2010 Phillips D7/606
- D624,367 S * 9/2010 Burton D7/624.2
- 7,850,036 B2 * 12/2010 Cirone F41B 11/62
124/74
- D656,314 S * 3/2012 Marshall D3/269
- D666,060 S * 8/2012 Welch D7/606
- D682,044 S * 5/2013 Berman D7/624.2
- D685,615 S * 7/2013 Altieri D7/608
- D696,076 S * 12/2013 Azamy D7/607
- D701,433 S * 3/2014 Ahlstrom D7/608
- D738,727 S * 9/2015 McConnell D9/499

(Continued)

FOREIGN PATENT DOCUMENTS

DE	402010006395.3	3/2011
EM	01596024-0001	8/2009

OTHER PUBLICATIONS

Bottle cooler sold by Amazon with ASIN B00C9YZ81G.

Primary Examiner — Richard E Chilcot

(74) *Attorney, Agent, or Firm* — Agris & von Natzmer
LLP; Joyce von Natzmer

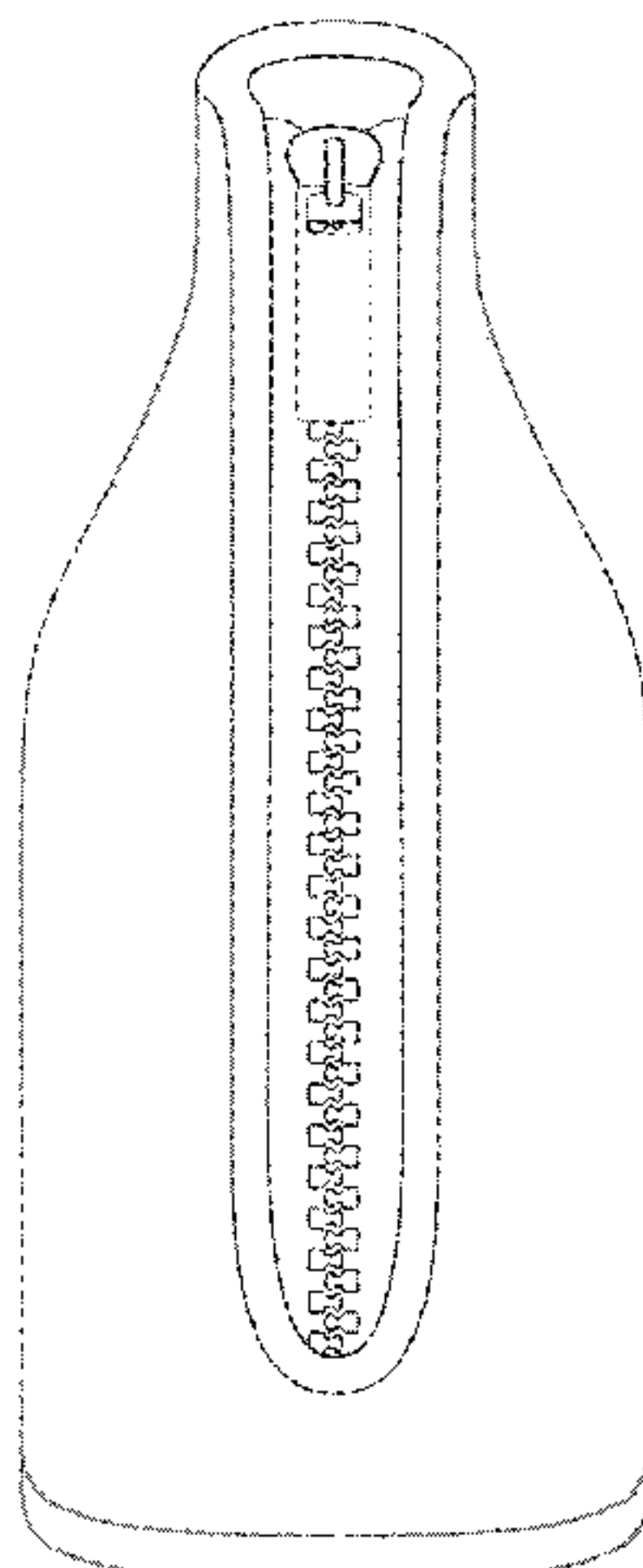
(57) **CLAIM**

The ornamental design for a bottle cooler, as shown and described.

DESCRIPTION

- 2. Coolers for bottles for drinks
- 2.1** : Front
- 2.2** : Back
- 2.3** : Bottom
- 2.4** : Top
- 2.5** : Right

1 Claim, 5 Drawing Sheets



(56)

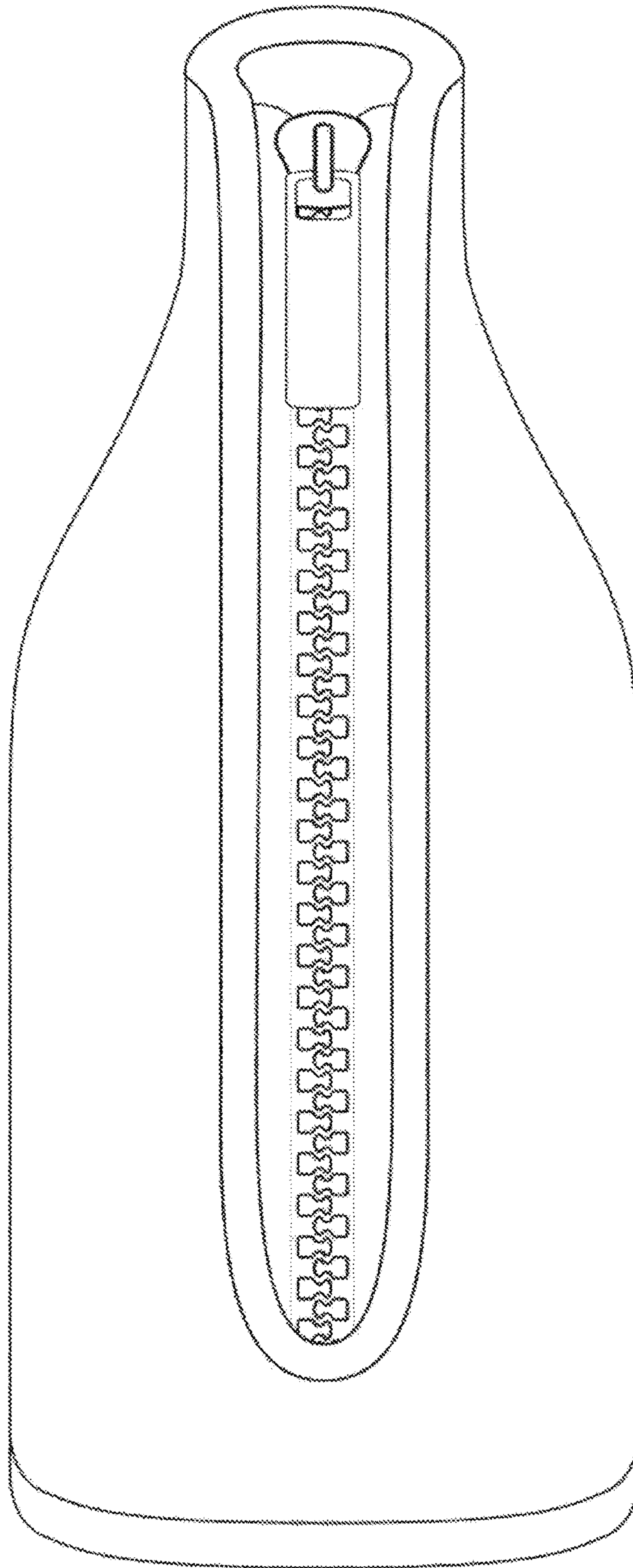
References Cited

U.S. PATENT DOCUMENTS

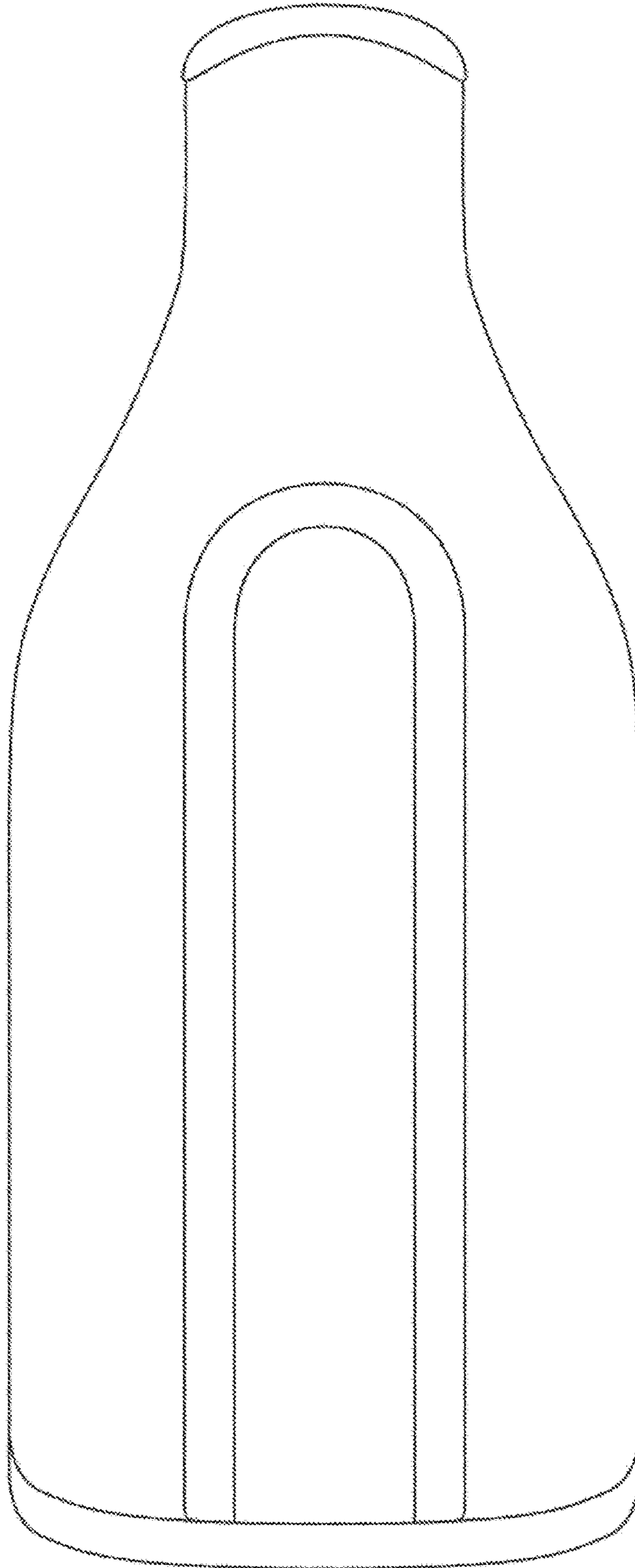
D766,570 S * 9/2016 Kao D3/229
D776,489 S * 1/2017 Lee D7/624.3

* cited by examiner

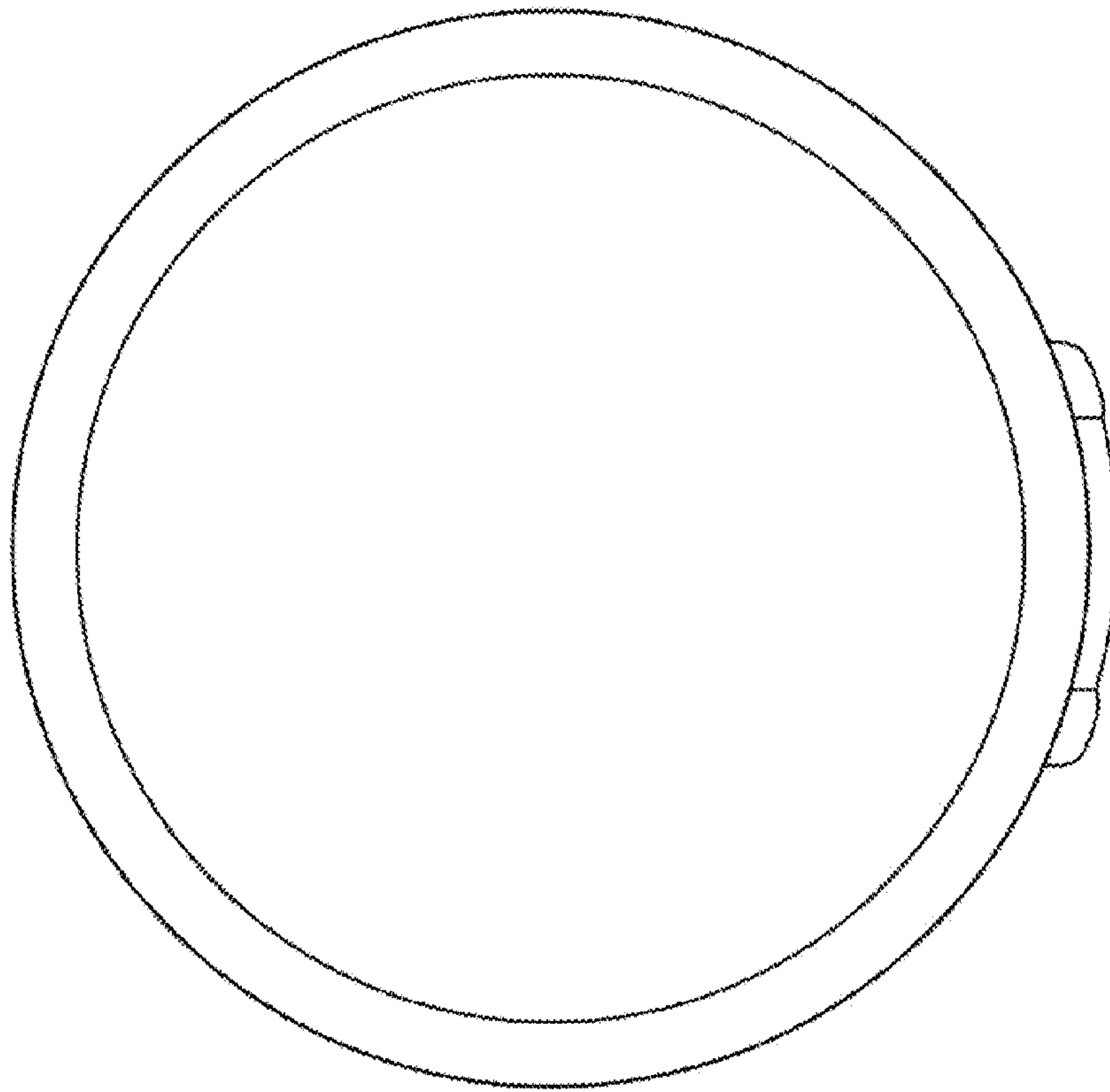
2.1



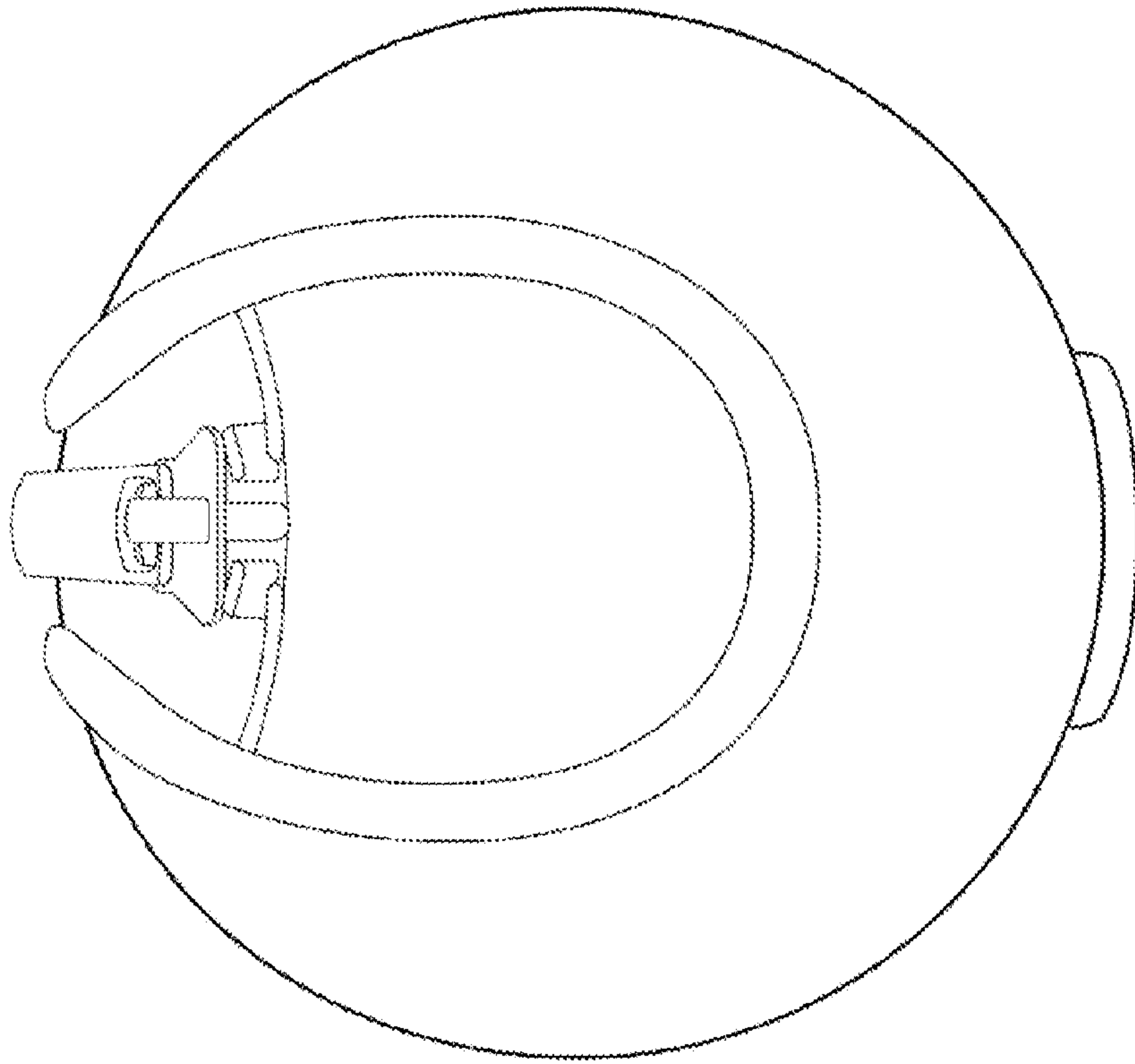
2.2



2.3



2.4



2.5

