



US00D807709S

(12) **United States Design Patent** (10) **Patent No.:** **US D807,709 S**  
**Radhakrishnan et al.** (45) **Date of Patent:** **\*\* Jan. 16, 2018**

(54) **INSULATED BOX FOR STORING FOOD**

(56) **References Cited**

(71) Applicant: **Vaya Life Private Limited**, Chennai (IN)

U.S. PATENT DOCUMENTS

(72) Inventors: **Harish Radhakrishnan**, Chennai (IN); **Giovanni Pellone**, Tokyo (JP); **Vashist Vasanthakumar**, Chennai (IN)

D322,013 S *	12/1991	Daenen .....	D7/502
D349,628 S *	8/1994	Kahl .....	D7/605
D353,306 S *	12/1994	Miller .....	D7/605
D353,749 S *	12/1994	Rozmiarek .....	D7/709
D496,272 S *	9/2004	Jackson .....	D7/602
D651,049 S *	12/2011	Nakagawa .....	D7/603
D658,948 S *	5/2012	Zorovich .....	D7/629
D741,114 S *	10/2015	Weernink .....	D7/629

(73) Assignee: **VAYA LIFE PRIVATE LIMITED**, Chennai (IN)

\* cited by examiner

(\*\*) Term: **15 Years**

*Primary Examiner* — Terry A Wallace

(21) Appl. No.: **29/586,134**

(74) *Attorney, Agent, or Firm* — Seyfarth Shaw LLP; Brain Michaelis

(22) Filed: **Dec. 1, 2016**

(57) **CLAIM**

(30) **Foreign Application Priority Data**

The ornamental design for an insulated box for storing food, as shown and described.

Jun. 8, 2016 (IN) ..... 284185

**DESCRIPTION**

(51) **LOC (11) Cl.** ..... **07-01**

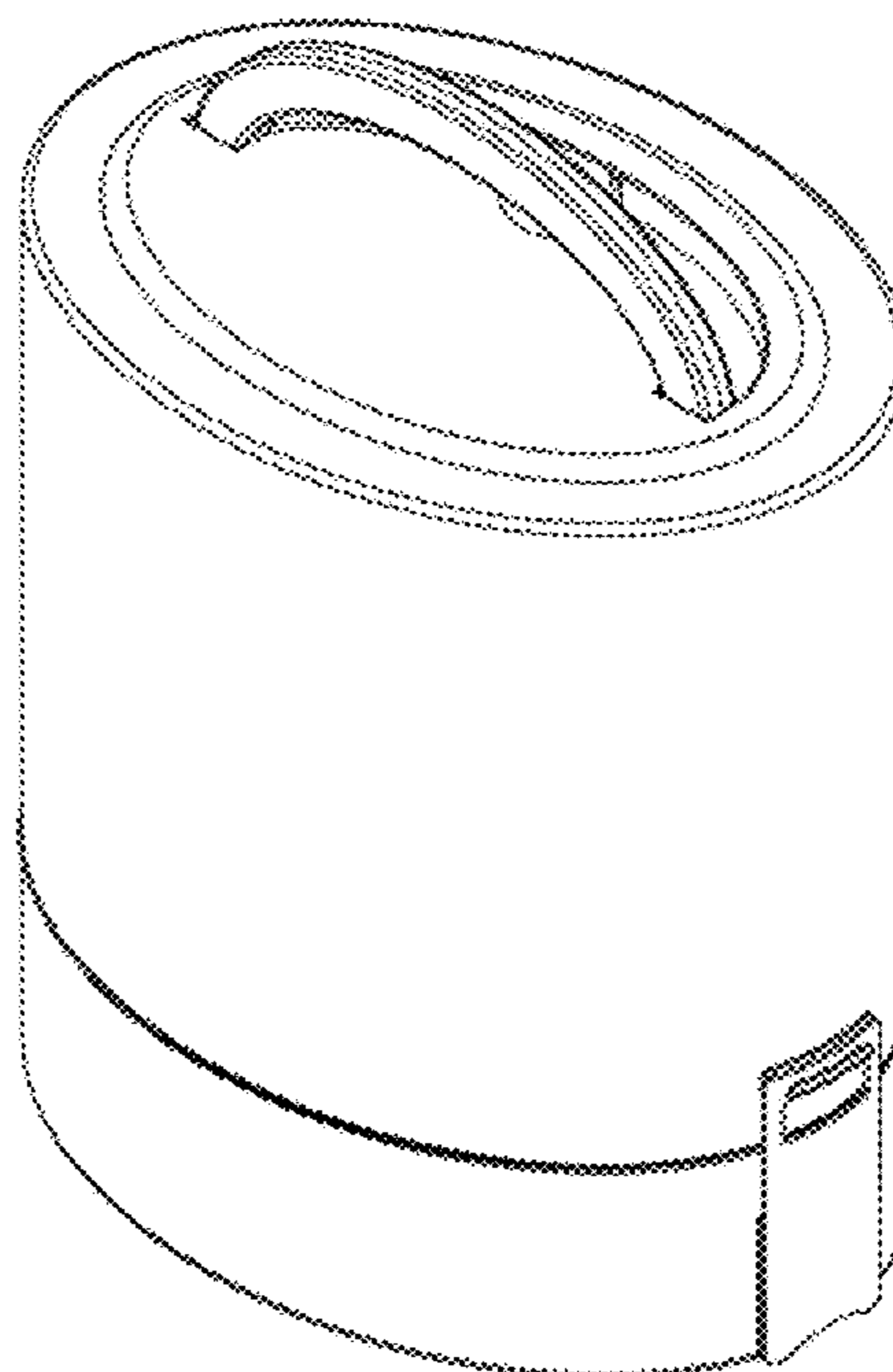
(52) **U.S. Cl.**  
USPC ..... **D7/605**; D7/709; D7/629

(58) **Field of Classification Search**  
USPC ..... D7/603–608, 629, 630, 709, 710, D7/538–542; D9/424–429  
CPC ..... F25D 2331/804; F25D 3/08; F25D 3/14; B65D 81/3823; B65D 81/3813; A45C 11/20; A47J 47/02; A47J 47/04; A47J 47/06; A47J 47/08; A47J 47/10; A47J 47/14; A47J 47/145; A47G 19/027

FIG. 1 is a perspective view of the insulated box for storing food design;  
FIG. 2 is a front elevation view of the insulated box for storing food design;  
FIG. 3 is a back elevation view thereof;  
FIG. 4 is a left side elevation view thereof;  
FIG. 5 is a right side elevation view thereof;  
FIG. 6 is a top elevation view thereof; and,  
FIG. 7 is a bottom elevation view thereof.

See application file for complete search history.

**1 Claim, 7 Drawing Sheets**



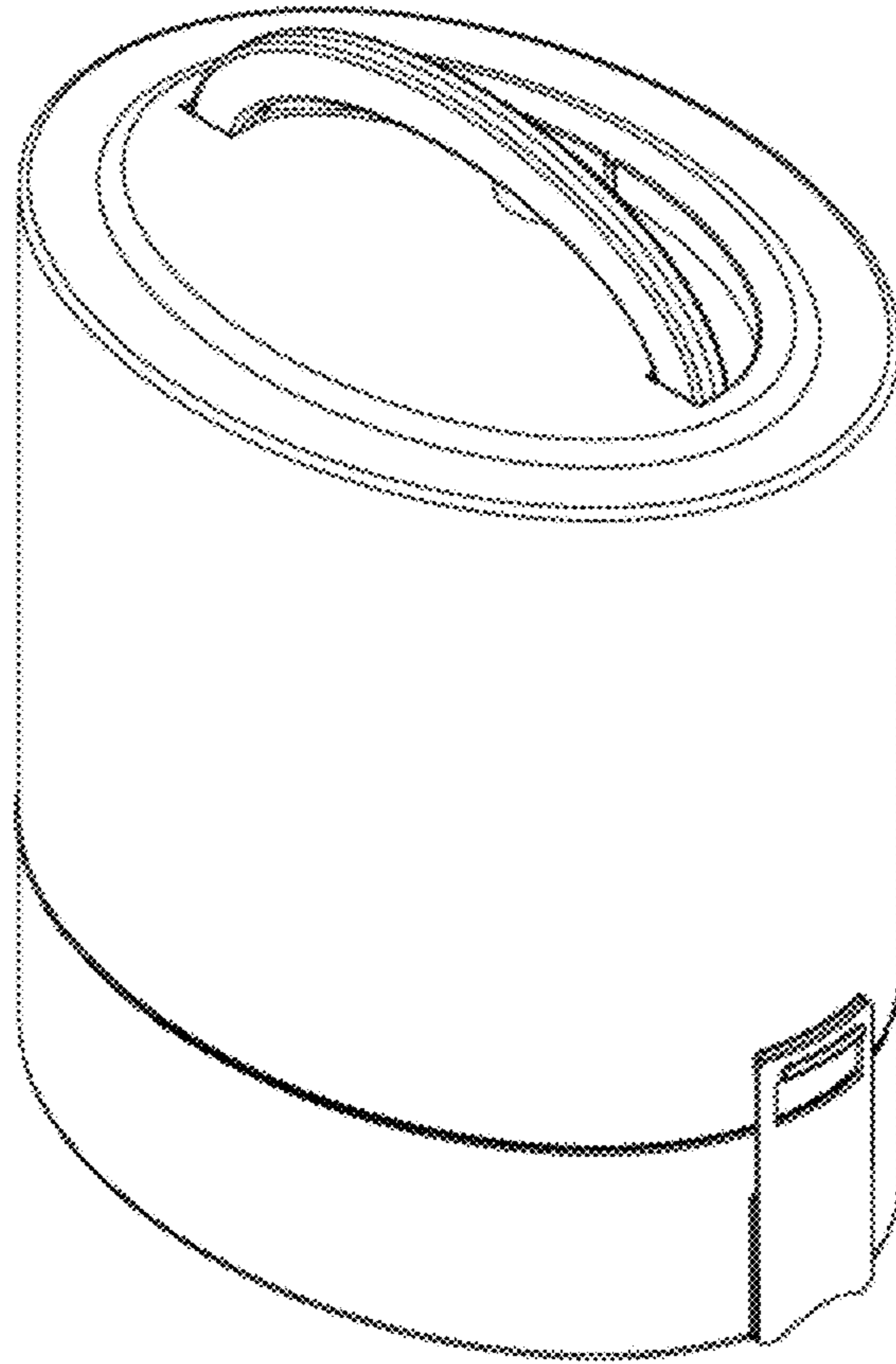


FIG. 1

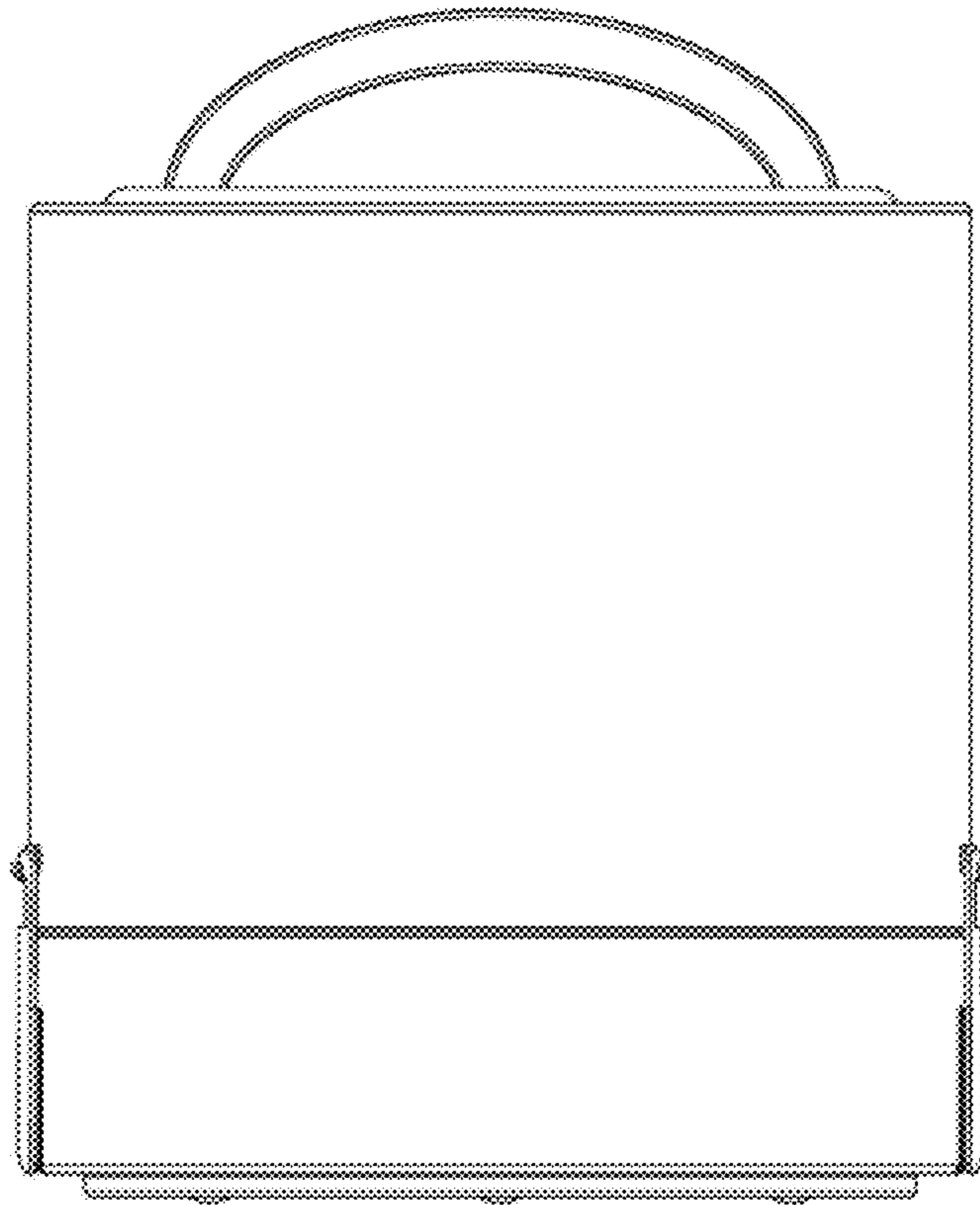


FIG. 2

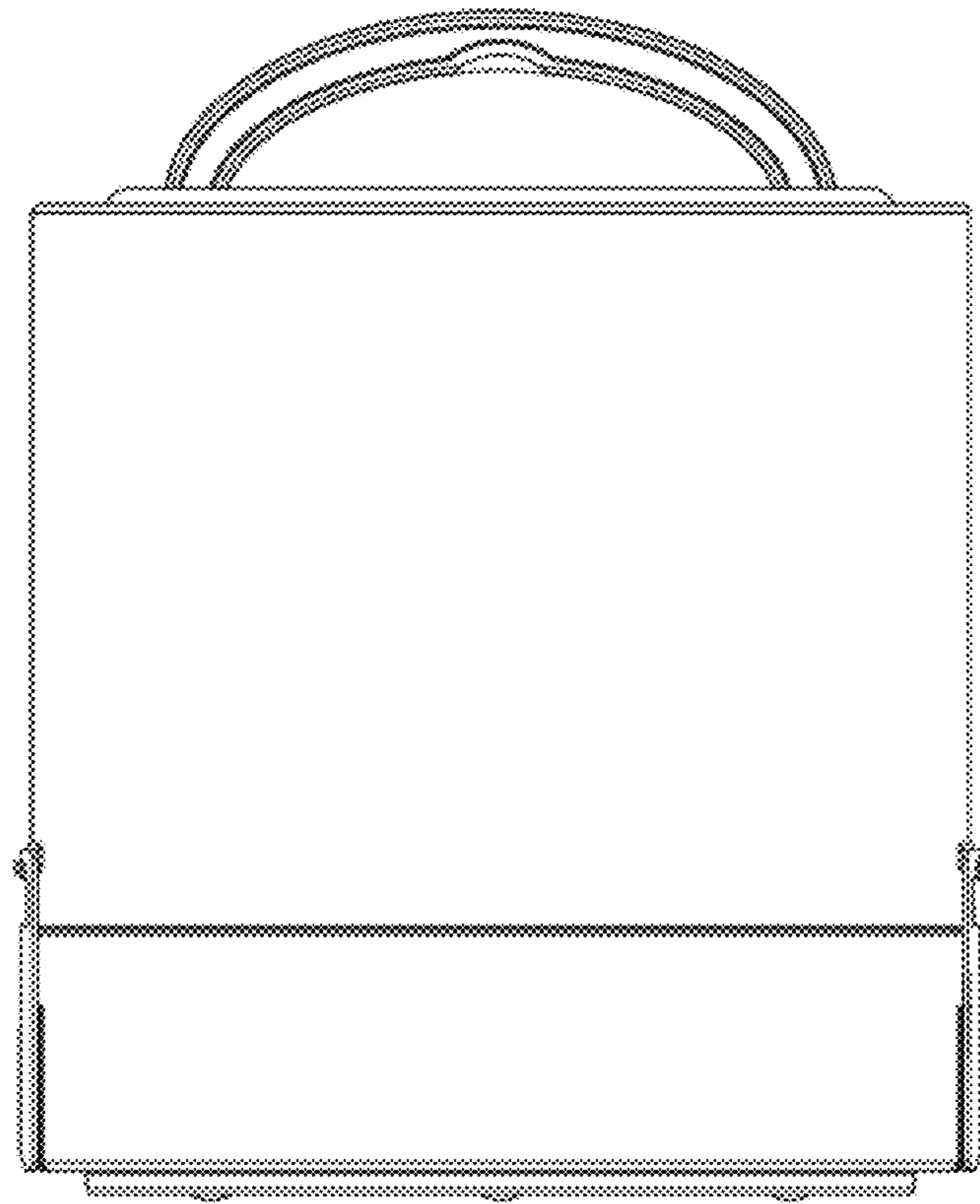


FIG. 3

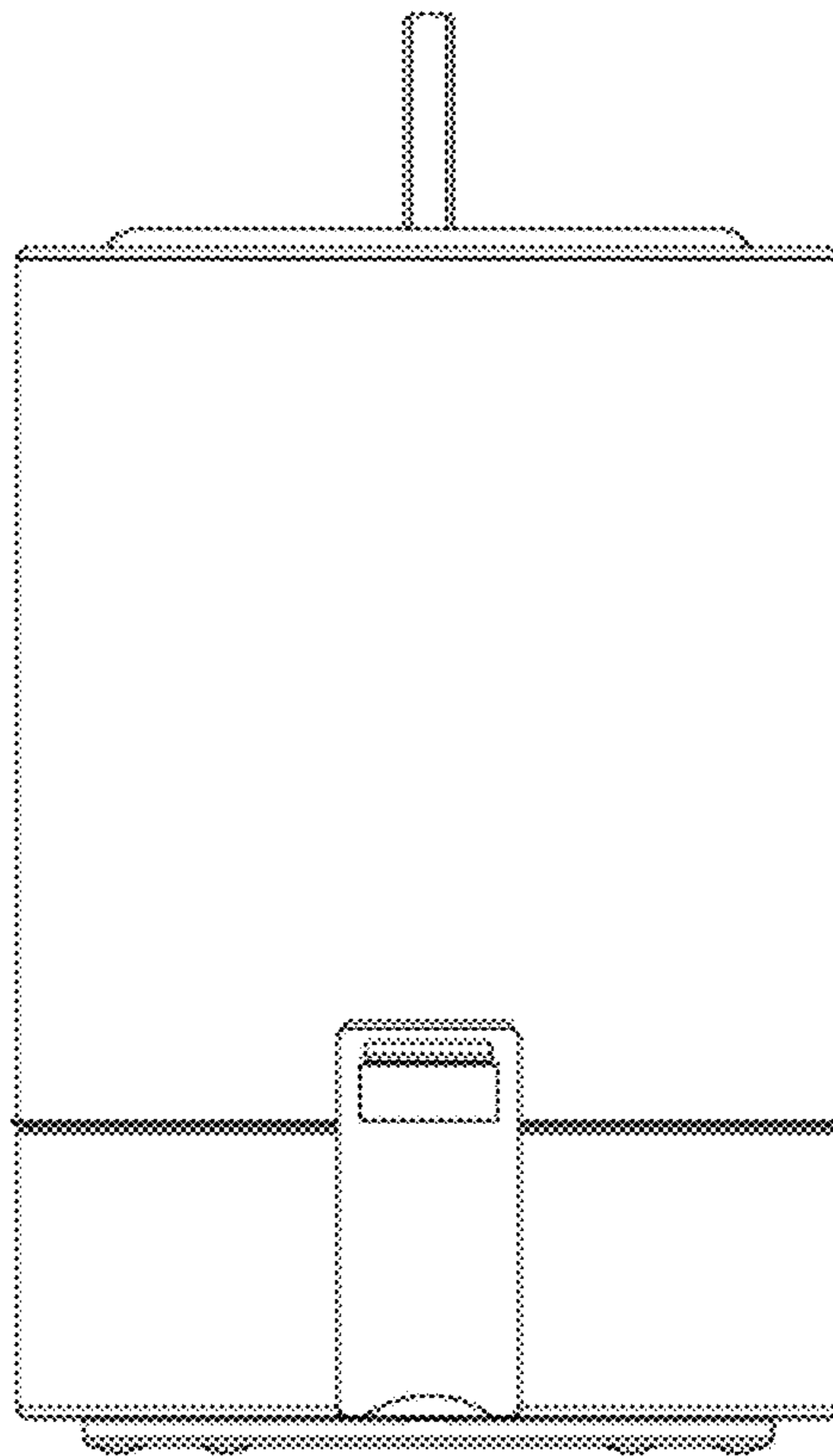


FIG. 4

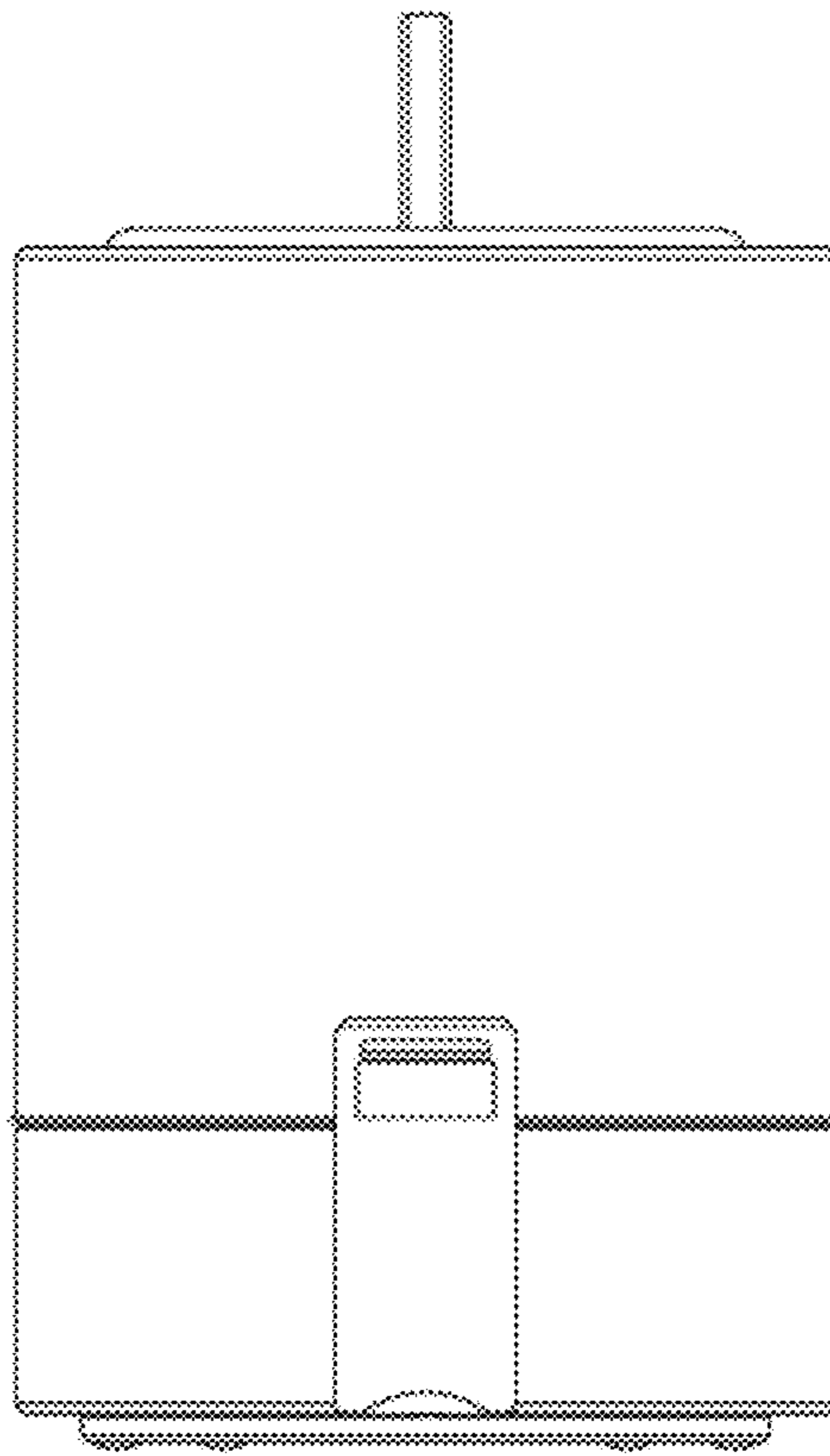


FIG. 5

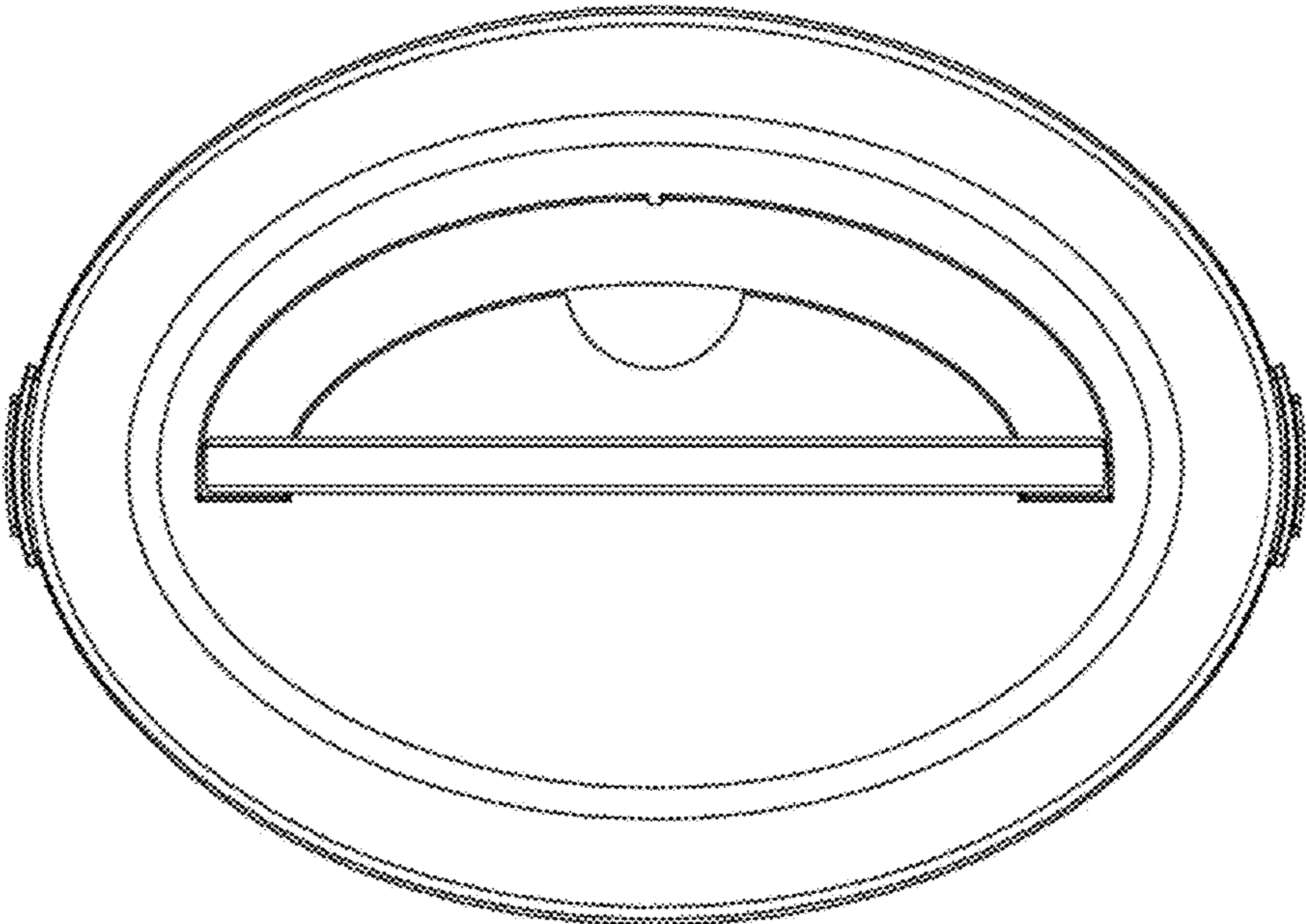


FIG. 6



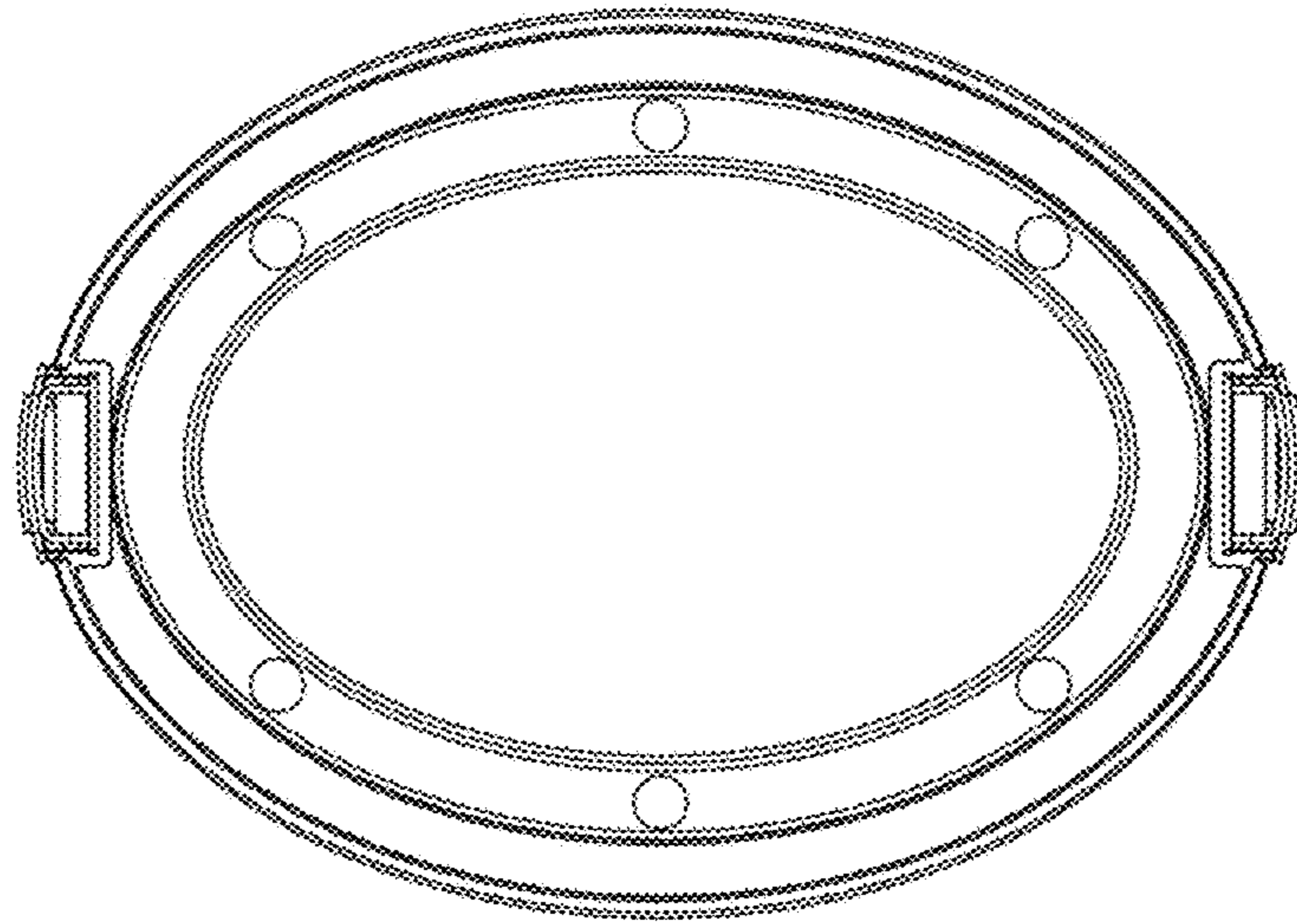


FIG. 7