



US00D807708S

(12) **United States Design Patent**  
**Grepper et al.**

(10) **Patent No.:** **US D807,708 S**  
(45) **Date of Patent:** **\*\* Jan. 16, 2018**

(54) **COOLER**

(71) Applicants: **Ryan Grepper**, Portland, OR (US);  
**Nicholas J. Vallo**, Columbus, OH (US)

(72) Inventors: **Ryan Grepper**, Portland, OR (US);  
**Nicholas J. Vallo**, Columbus, OH (US)

(\*\*) Term: **15 Years**

(21) Appl. No.: **29/583,905**

(22) Filed: **Nov. 9, 2016**

**Related U.S. Application Data**

(63) Continuation of application No. 29/524,698, filed on  
Apr. 22, 2015, now abandoned.

(51) **LOC (11) Cl.** ..... **07-01**

(52) **U.S. Cl.**  
USPC ..... **D7/605**

(58) **Field of Classification Search**  
USPC ... D7/602-608, 619.1, 619.2, 629, 630, 709,  
D7/710  
CPC .. A45C 11/20; A45C 5/14; A45C 5/03; A47B  
77/08; B65D 8/18; B65D 5/48; B65D  
21/00; B65D 21/08; B65D 6/16; B65D  
21/083; B65D 81/38; B65D 81/3816;  
B65B 63/08; F25D 3/08; F25D 27/00;  
F25D 3/06; F25D 2331/804; H05B 3/06;  
B67D 3/0067; B62B 2202/52; B62B  
1/12; B62B 1/14

See application file for complete search history.

(56) **References Cited**

**U.S. PATENT DOCUMENTS**

4,873,841 A 10/1989 Bradshaw et al.  
D370,159 S 5/1996 Fenton et al.

5,683,097 A 11/1997 Fenton et al.  
D416,447 S 11/1999 Levy et al.  
6,047,976 A 4/2000 Wang  
6,364,329 B1 \* 4/2002 Holub ..... A45C 5/14  
280/47.26  
7,066,476 B2 6/2006 Elden  
D528,368 S 9/2006 Maldonado  
7,854,321 B2 \* 12/2010 Twig ..... B25H 3/023  
206/372  
D674,245 S 1/2013 Williams, Jr. et al.  
2005/0127081 A1 \* 6/2005 Leba ..... F25D 3/08  
220/761  
2007/0075508 A1 \* 4/2007 Miller ..... B62B 1/14  
280/47.26  
2007/0101754 A1 5/2007 Maldonado

\* cited by examiner

*Primary Examiner* — Freda S Nunn

(74) *Attorney, Agent, or Firm* — Marger Johnson

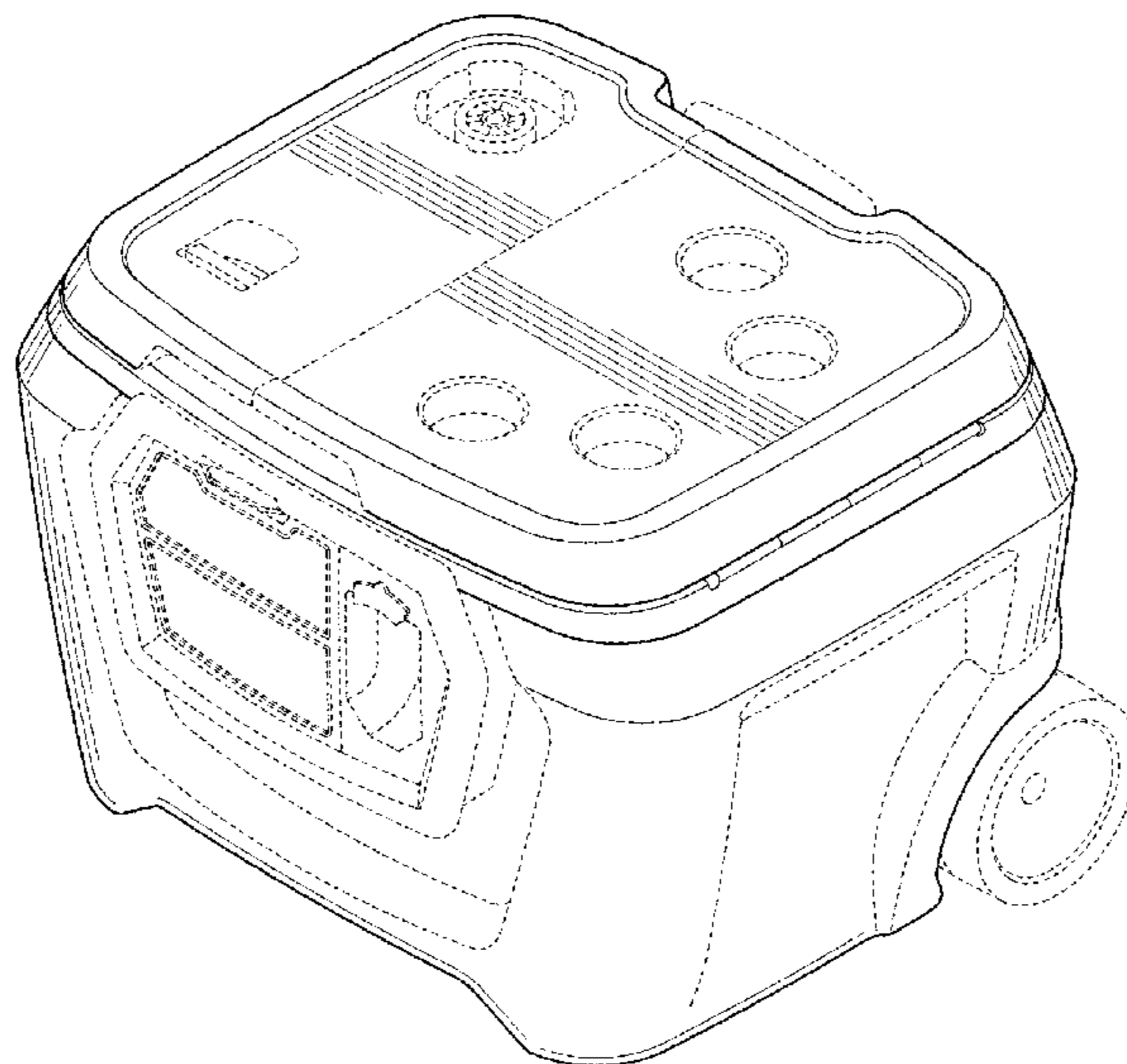
(57) **CLAIM**

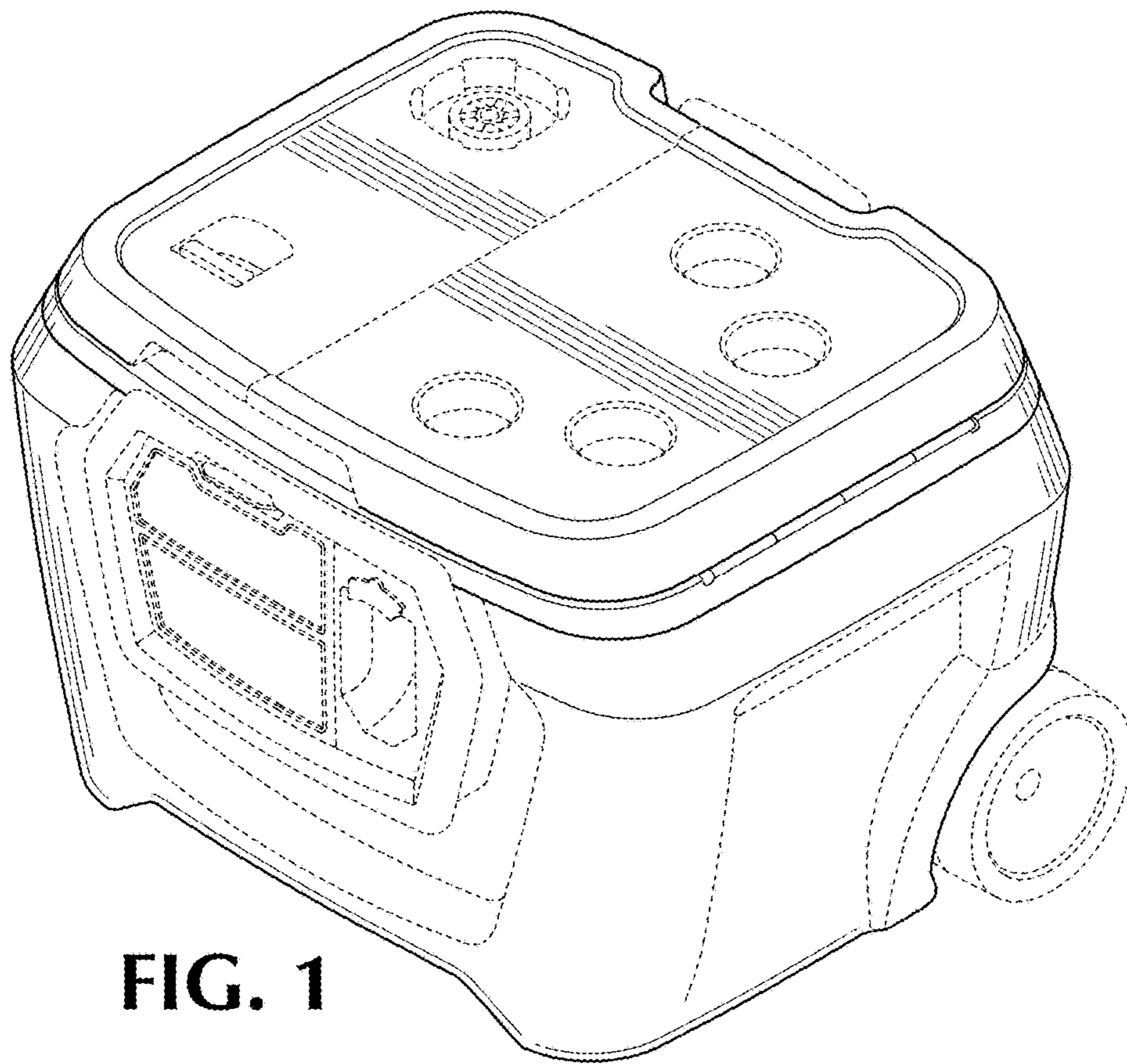
The ornamental design for a cooler, as shown and described.

**DESCRIPTION**

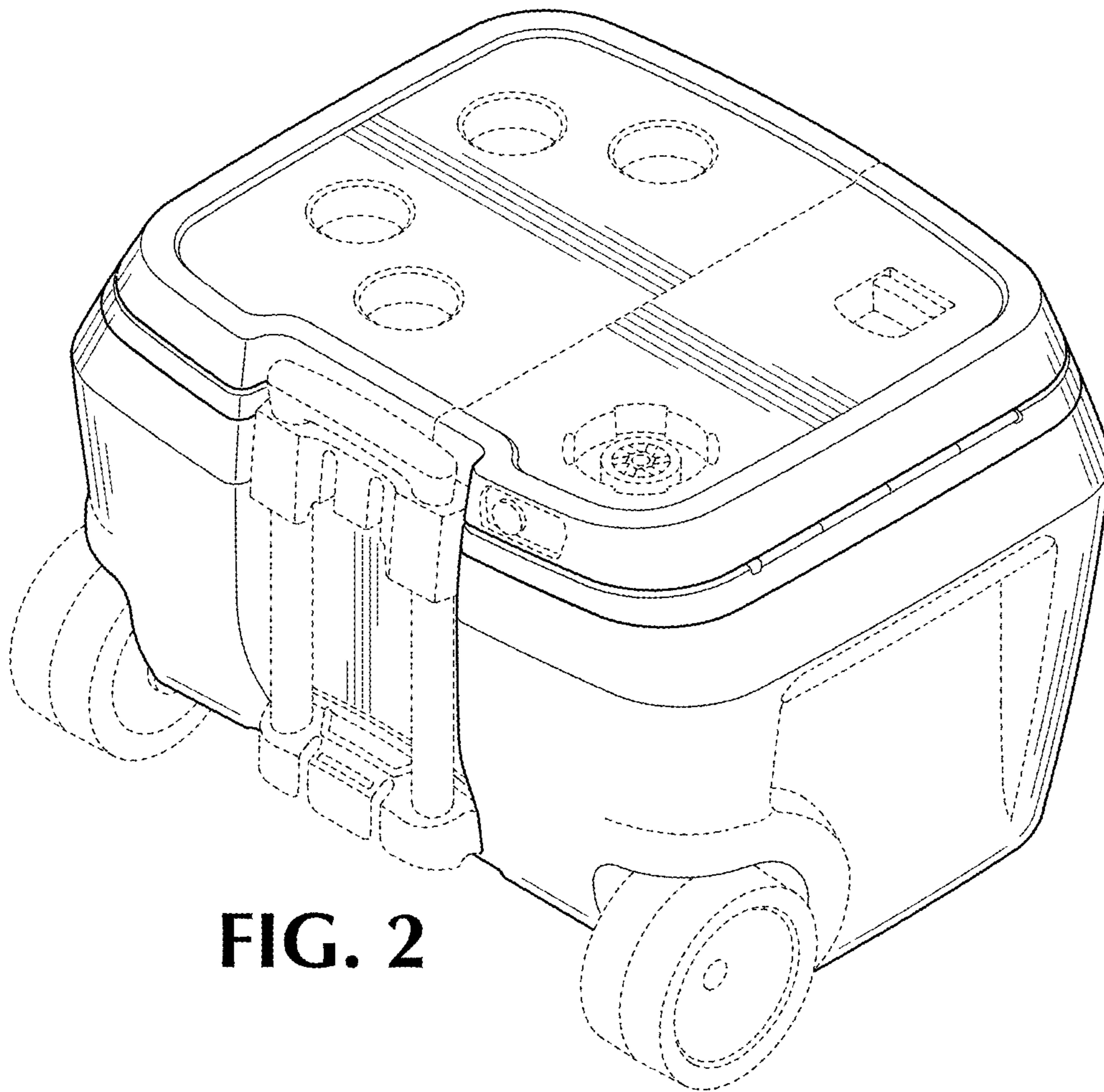
FIG. 1 is a front, top, right perspective view of a cooler showing the new design;  
FIG. 2 is a rear, top, left perspective view thereof;  
FIG. 3 is a front elevation view thereof;  
FIG. 4 is a rear elevation view thereof;  
FIG. 5 is a right side elevation view thereof, the left side being a mirror image;  
FIG. 6 is a top view thereof; and,  
FIG. 7 is a front elevation view of the cooler in which the lids are in an opened position.  
The broken lines in the drawings illustrate portions of the cooler which form no part of the claimed design.

**1 Claim, 7 Drawing Sheets**

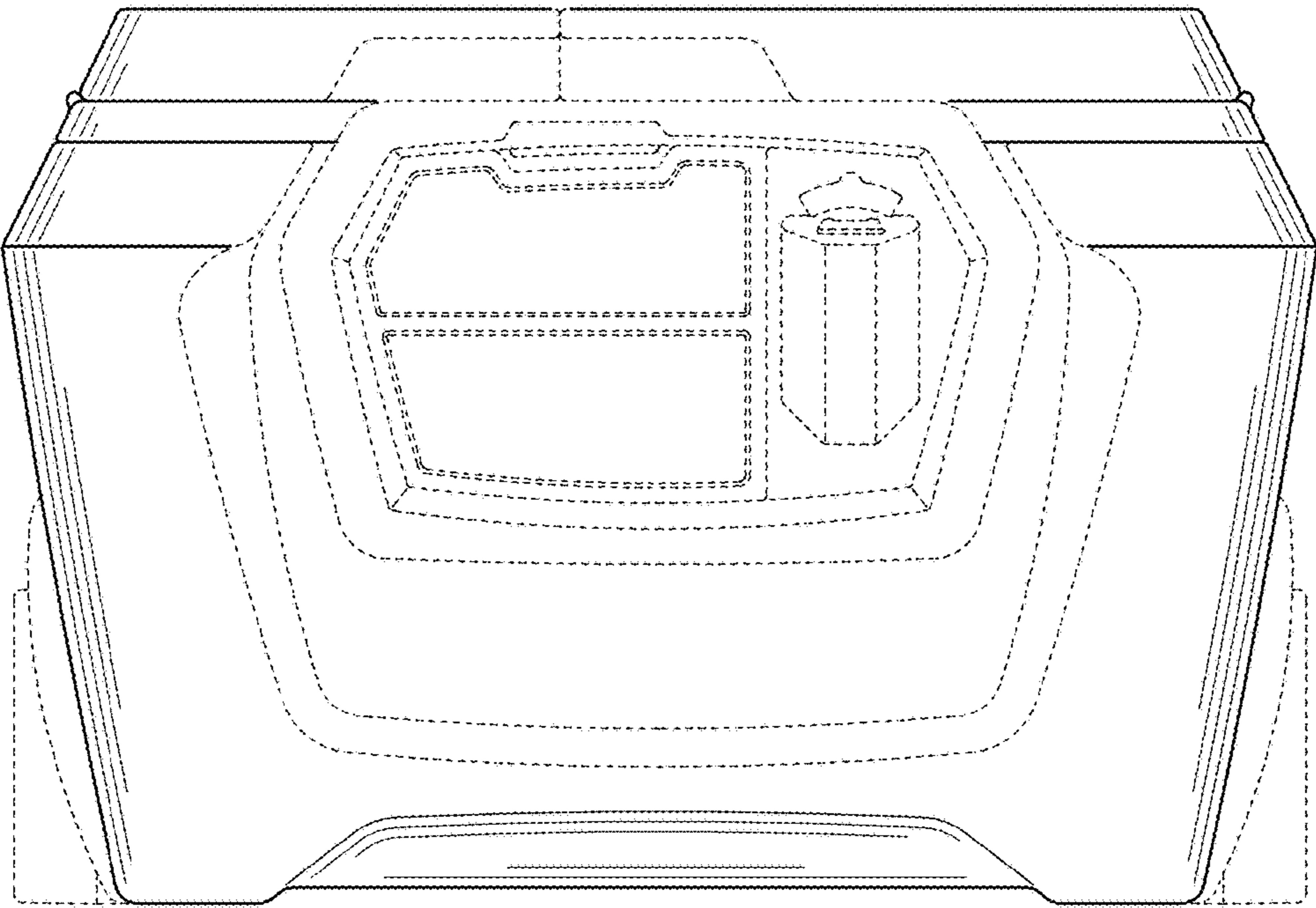




**FIG. 1**

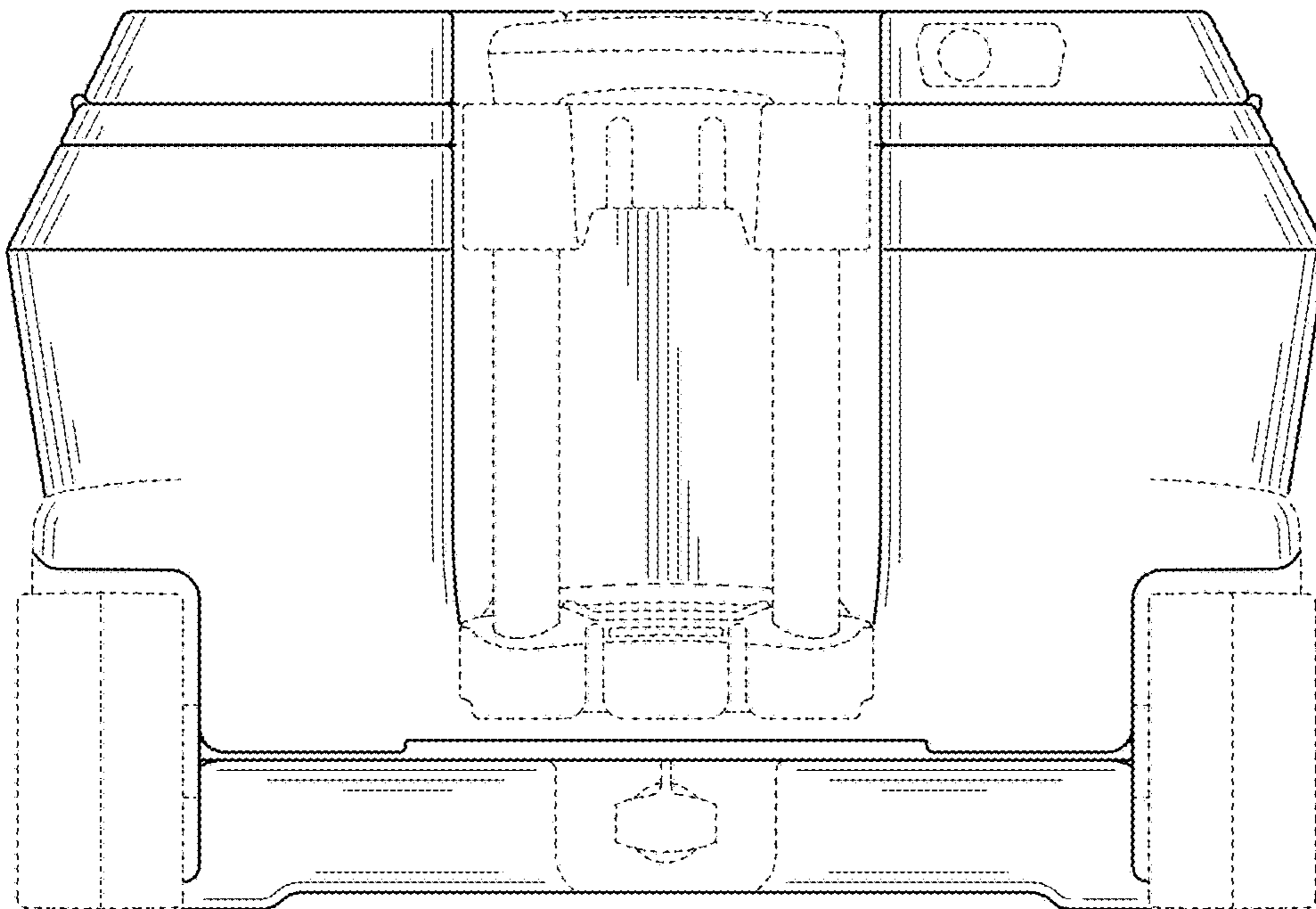


**FIG. 2**

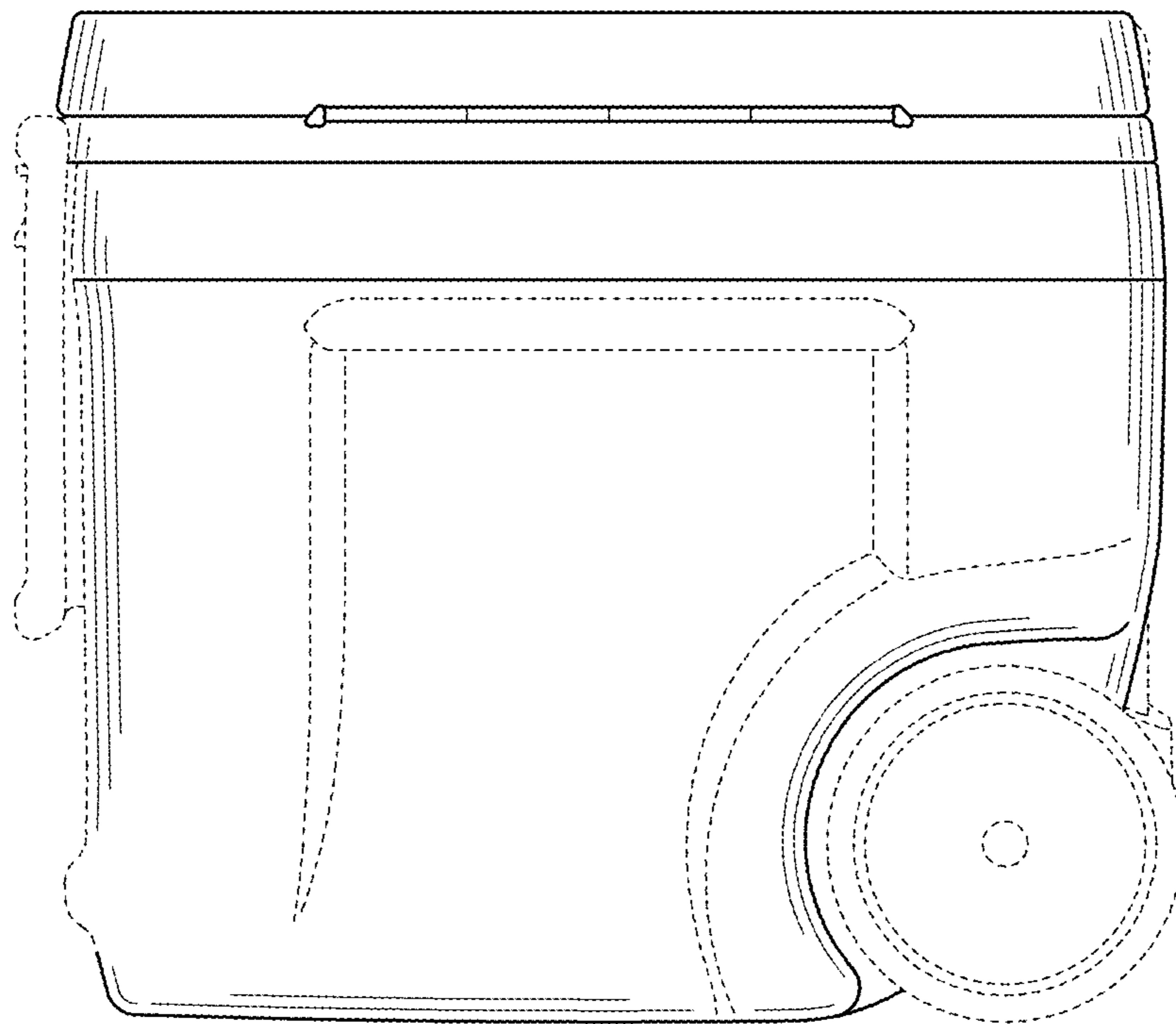


**FIG. 3**

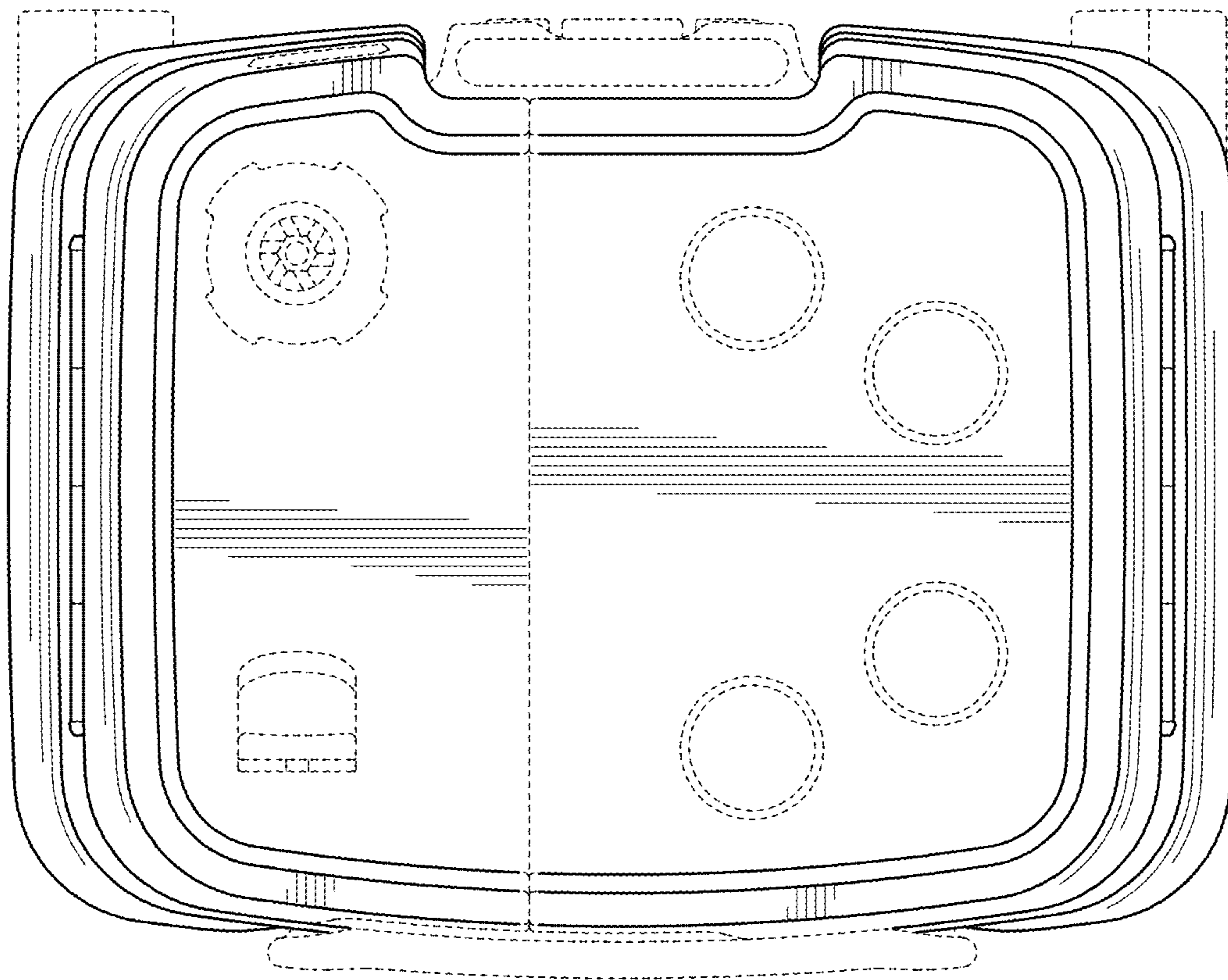




**FIG. 4**



**FIG. 5**



**FIG. 6**

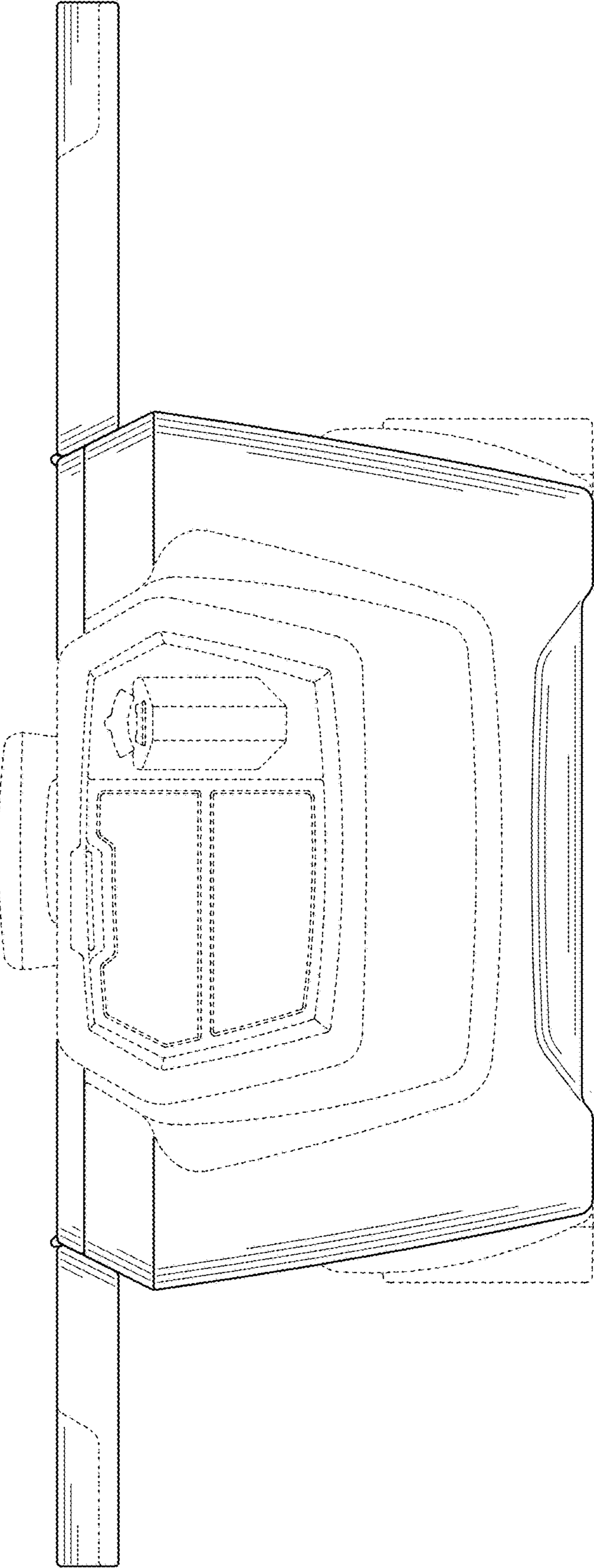


FIG. 7