

US00D807707S

(12) **United States Design Patent**
Grepper et al.

(10) **Patent No.:** **US D807,707 S**
(45) **Date of Patent:** **** Jan. 16, 2018**

(54) **COOLER**

(71) Applicants: **Ryan Grepper**, Portland, OR (US);
Nicholas J. Vallo, Columbus, OH (US)

(72) Inventors: **Ryan Grepper**, Portland, OR (US);
Nicholas J. Vallo, Columbus, OH (US)

(**) Term: **15 Years**

(21) Appl. No.: **29/583,902**

(22) Filed: **Nov. 9, 2016**

Related U.S. Application Data

(63) Continuation of application No. 29/524,693, filed on
Apr. 22, 2015, now abandoned.

(51) **LOC (11) Cl.** **07-01**

(52) **U.S. Cl.**
USPC **D7/605**

(58) **Field of Classification Search**
USPC ... D7/602-608, 619.1, 619.2, 629, 630, 709,
D7/710

CPC .. A45C 11/20; A45C 5/14; A45C 5/03; A47B
77/08; B65D 8/18; B65D 5/48; B65D
21/00; B65D 21/08; B65D 6/16; B65D
21/083; B65D 81/38; B65D 81/3816;
B65B 63/08; F25D 3/08; F25D 27/00;
F25D 3/06; F25D 2331/804; H05B 3/06;
B62B 2202/52; B62B 1/12; B62B 1/14;
B67D 3/0067

See application file for complete search history.

(56) **References Cited**

U.S. PATENT DOCUMENTS

4,873,841 A 10/1989 Bradshaw et al.
D370,159 S 5/1996 Fenton et al.
5,683,097 A 11/1997 Fenton et al.
D416,447 S 11/1999 Levy et al.

(Continued)

Primary Examiner — Freda S Nunn

(74) *Attorney, Agent, or Firm* — Marger Johnson

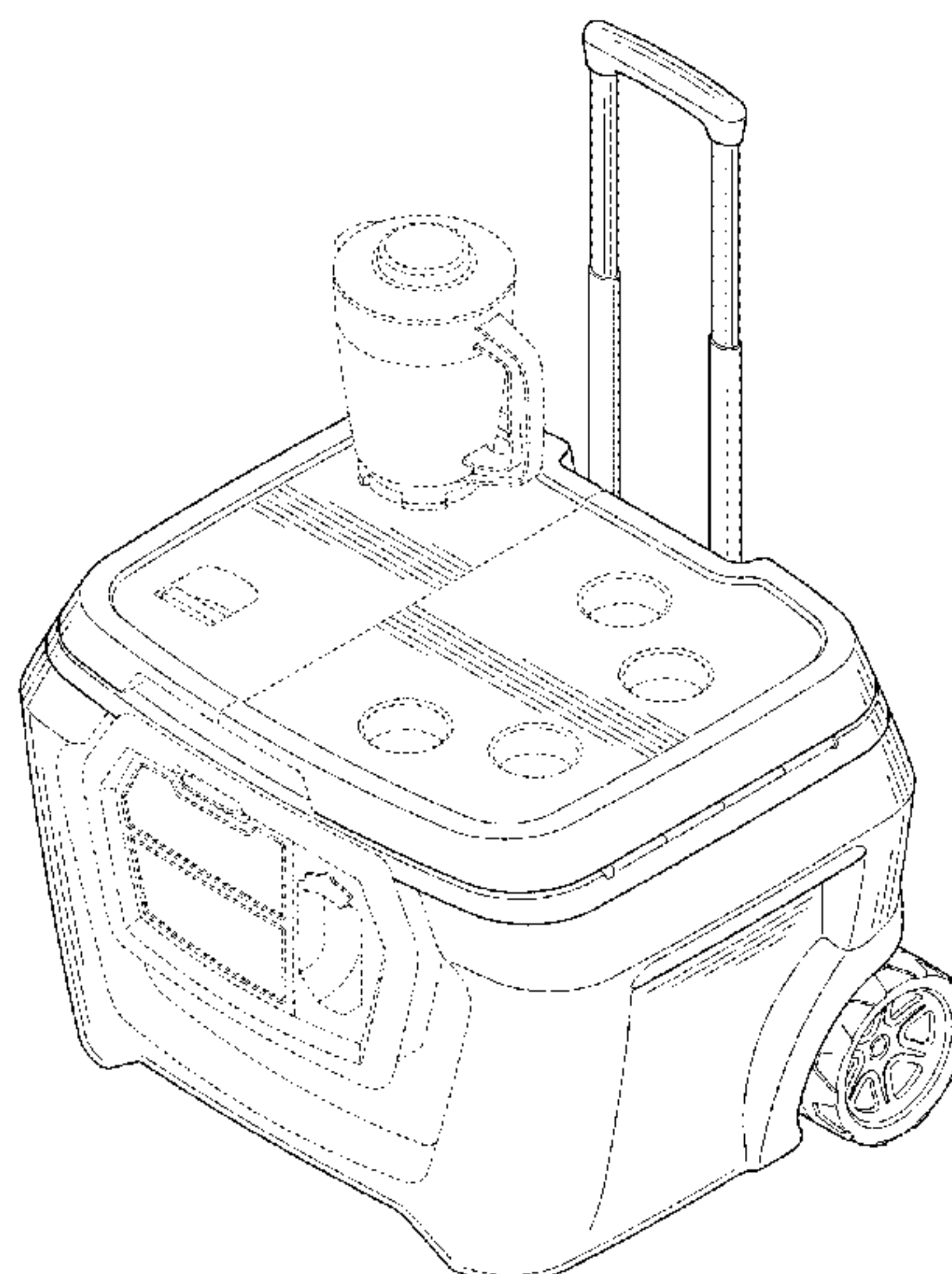
(57) **CLAIM**

The ornamental design for a cooler, as shown and described.

DESCRIPTION

FIG. 1 is a front, top, right perspective view of a cooler showing the new design;
FIG. 2 is a rear, top, left perspective view thereof;
FIG. 3 is a front elevation view thereof;
FIG. 4 is a rear elevation view thereof;
FIG. 5 is a right side elevation view thereof;
FIG. 6 is a right side elevation view thereof in which the rolling wheels have been removed;
FIG. 7 is a left side elevation view thereof;
FIG. 8 is a left side elevation view thereof in which the rolling wheels have been removed;
FIG. 9 is a top view thereof;
FIG. 10 is a bottom view thereof;
FIG. 11 is a front, top, right perspective view of the cooler of FIG. 1 in which the lids are in an opened position;
FIG. 12 is a rear, top, left perspective view of the cooler in the orientation as illustrated in FIG. 11;
FIG. 13 is a front elevation view of the cooler in the orientation as illustrated in FIG. 11;
FIG. 14 is a rear elevation view of the cooler in the orientation as illustrated in FIG. 11;
FIG. 15 is a right side elevation view of the cooler in the orientation as illustrated in FIG. 11;
FIG. 16 is a left side elevation view of the cooler in the orientation as illustrated in FIG. 11;
FIG. 17 is a top view of the cooler in the orientation as illustrated in FIG. 11; and,
FIG. 18 is a bottom view of the cooler in the orientation as illustrated in FIG. 11.
The broken lines in the drawings illustrate portions of the cooler which form no part of the claimed design.

1 Claim, 17 Drawing Sheets



(56)

References Cited

U.S. PATENT DOCUMENTS

6,047,976	A	4/2000	Wang	
6,364,329	B1 *	4/2002	Holub A45C 5/14 280/47.26
7,066,476	B2	6/2006	Elden	
D528,368	S	9/2006	Maldonado	
7,854,321	B2 *	12/2010	Twig B25H 3/023 206/372
D674,245	S	1/2013	Williams, Jr. et al.	
2005/0127081	A1 *	6/2005	Leba F25D 3/08 220/761
2007/0075508	A1 *	4/2007	Miller B62B 1/14 280/47.26
2007/0101754	A1	5/2007	Maldonado	

* cited by examiner

FIG. 1

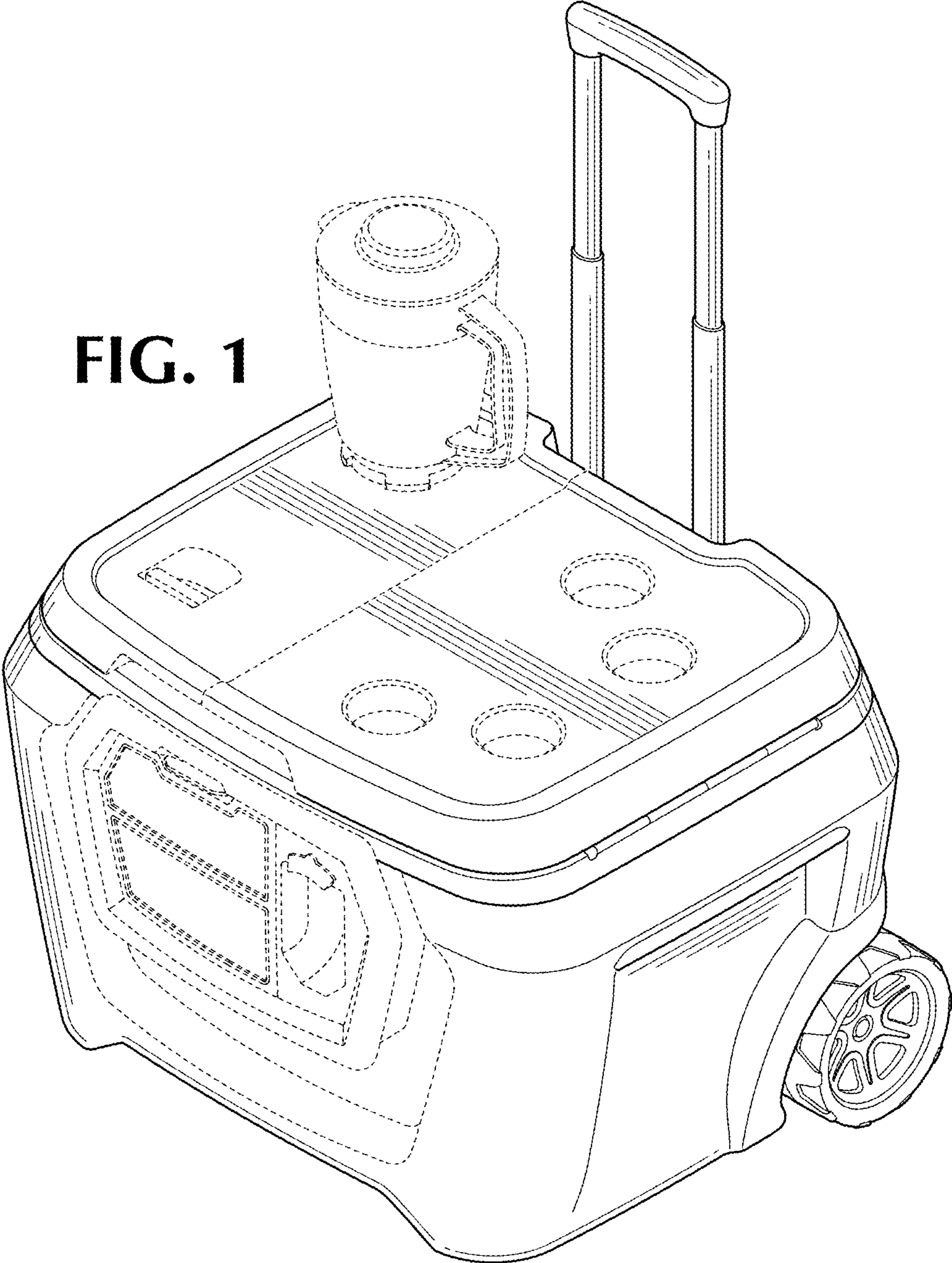
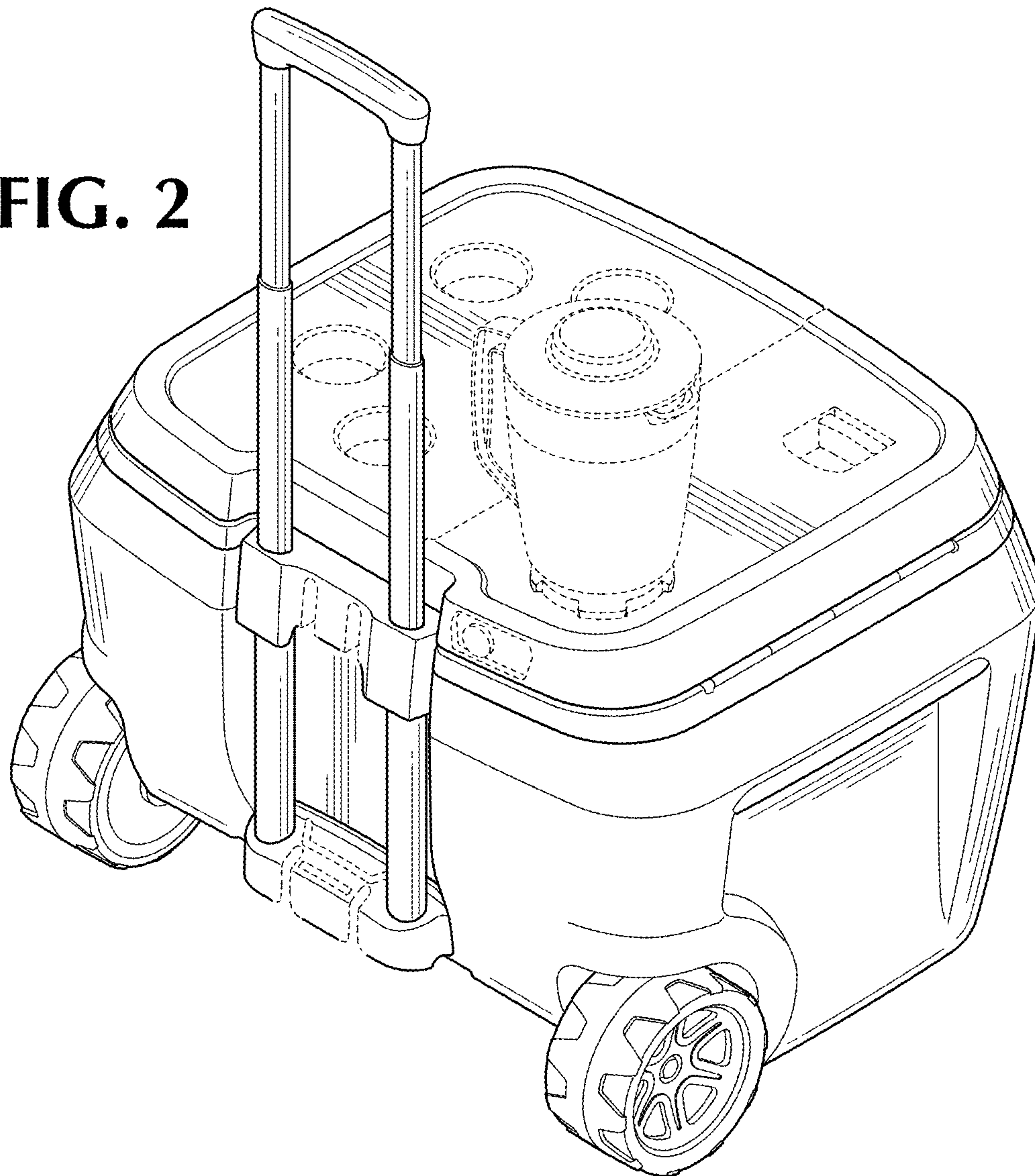


FIG. 2



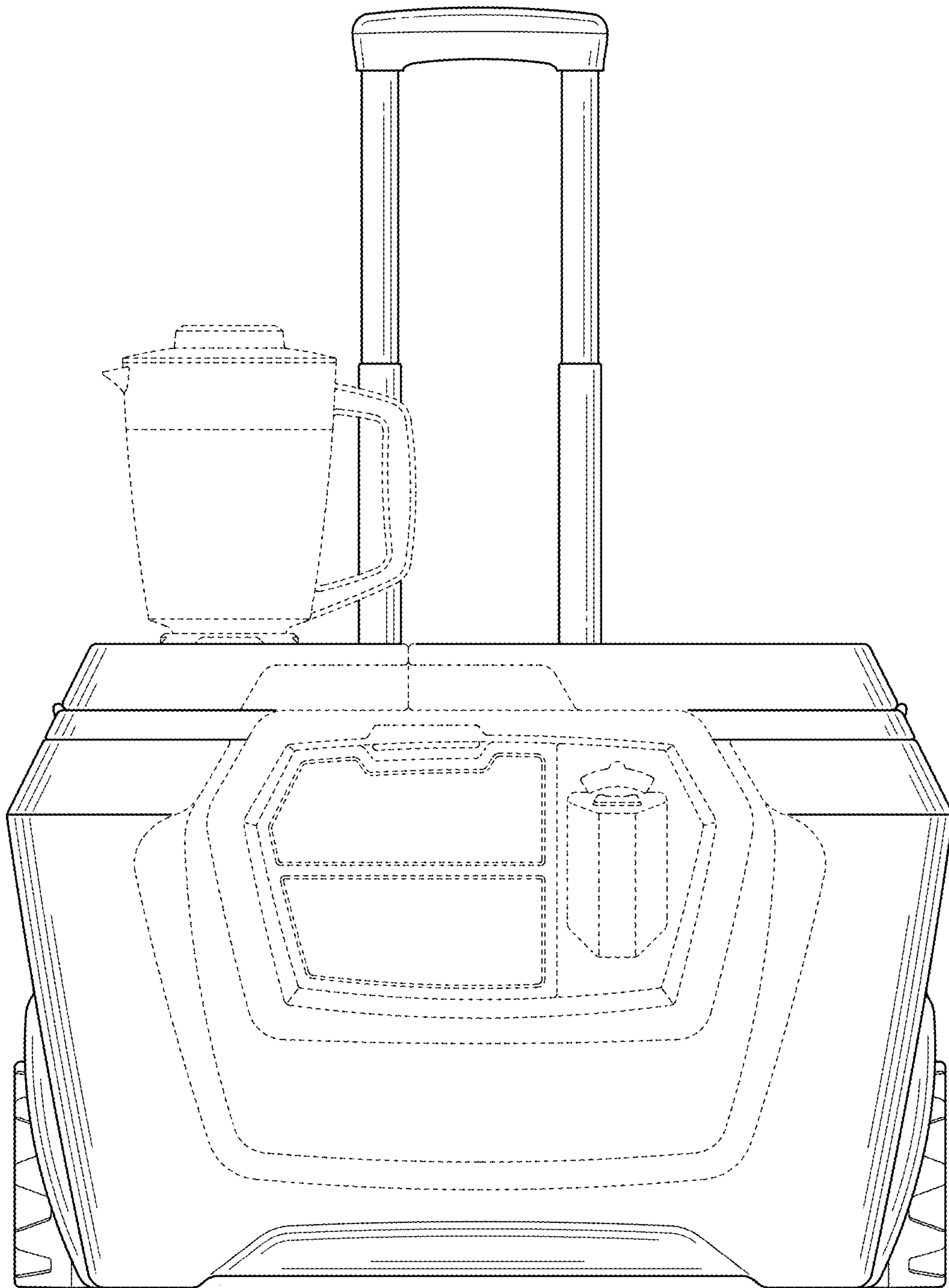


FIG. 3

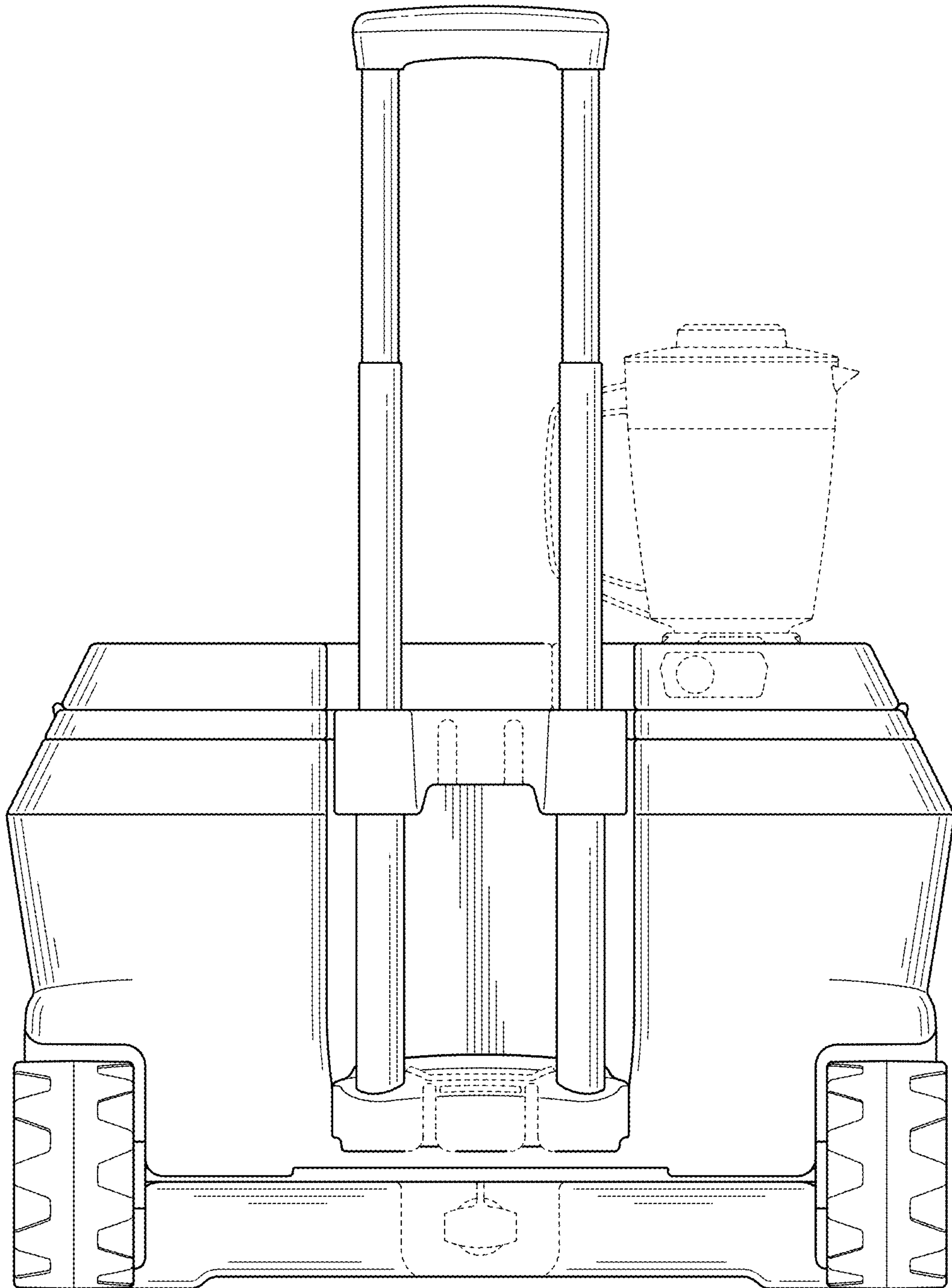


FIG. 4

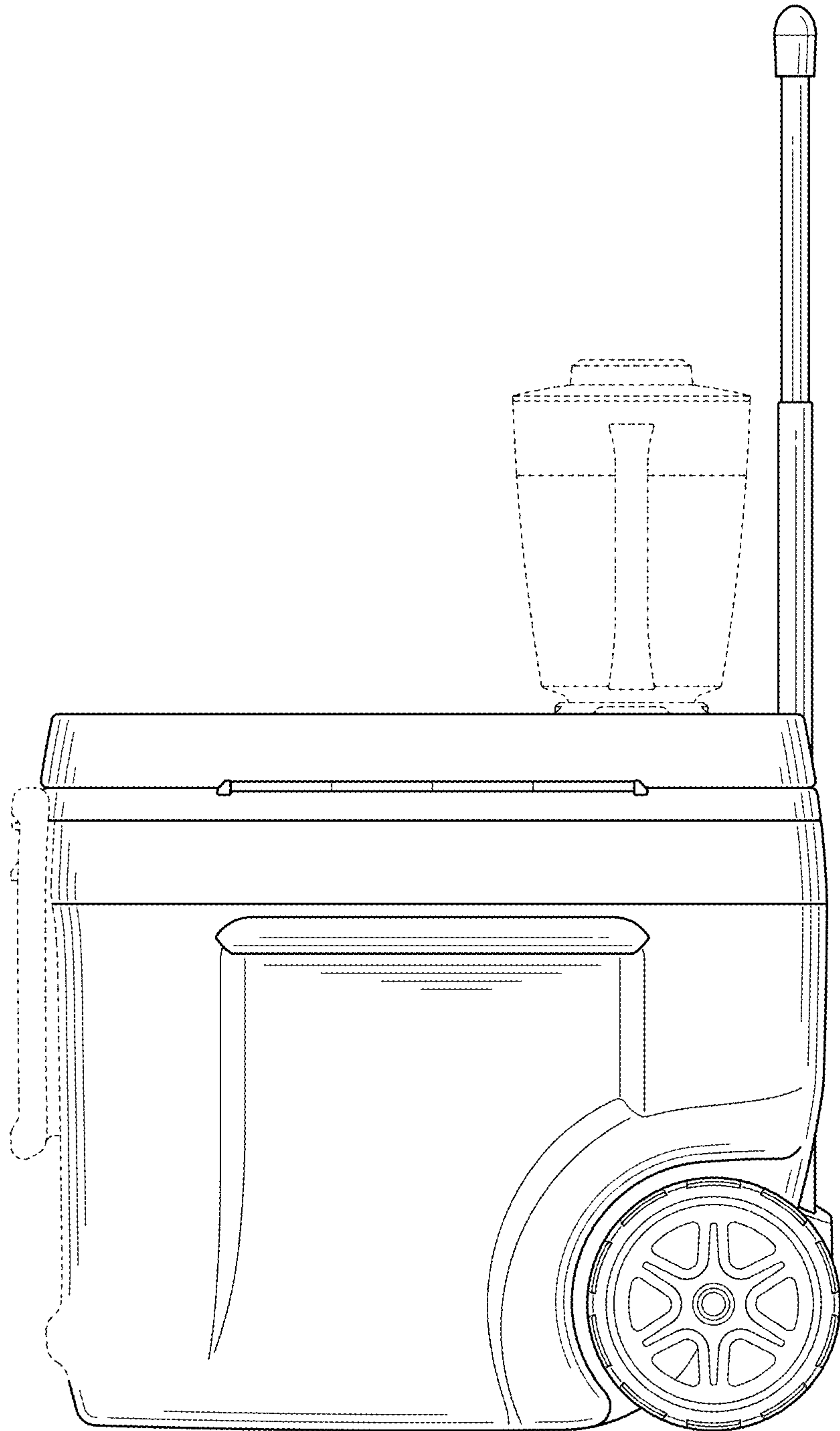


FIG. 5

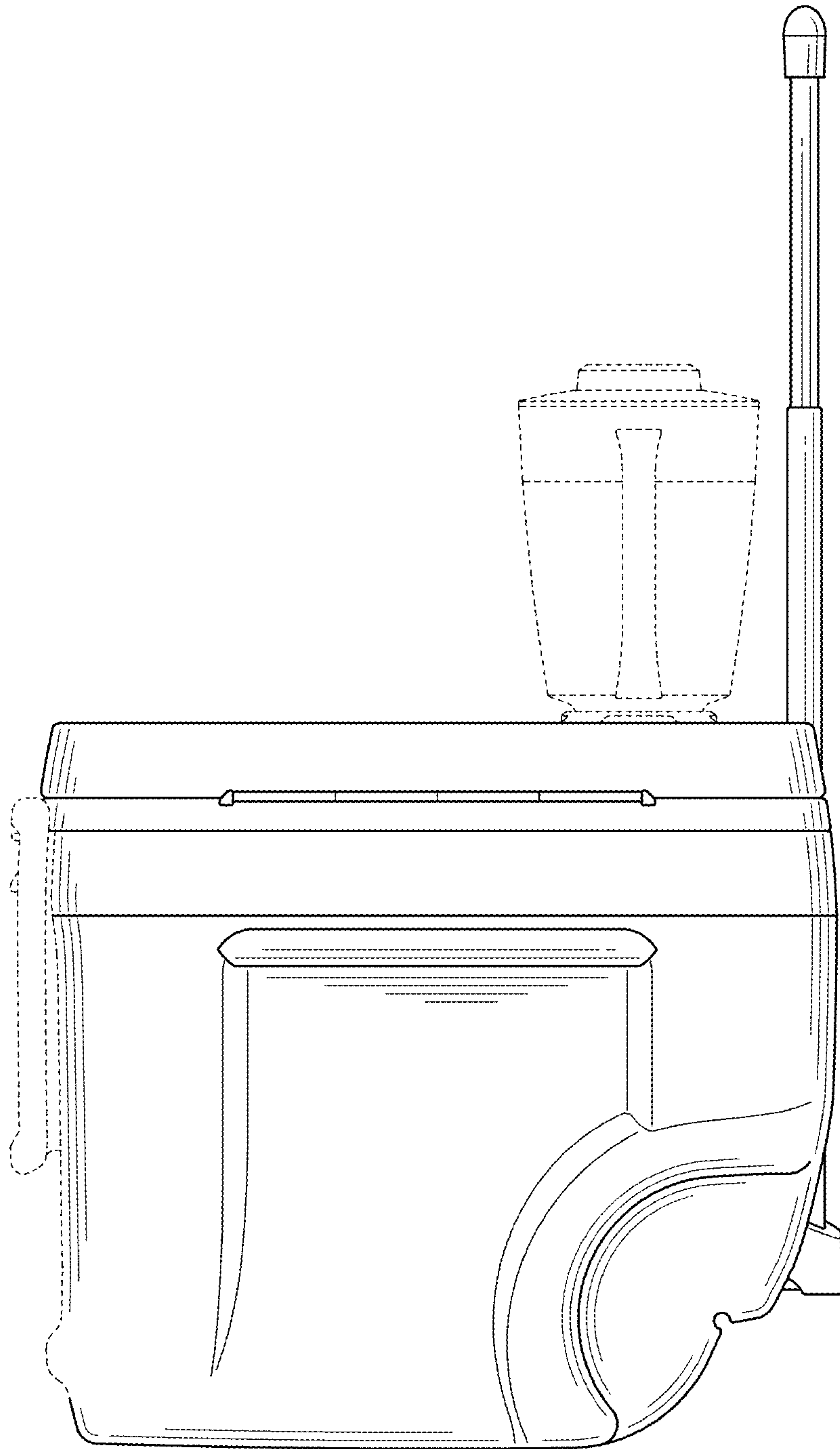


FIG. 6

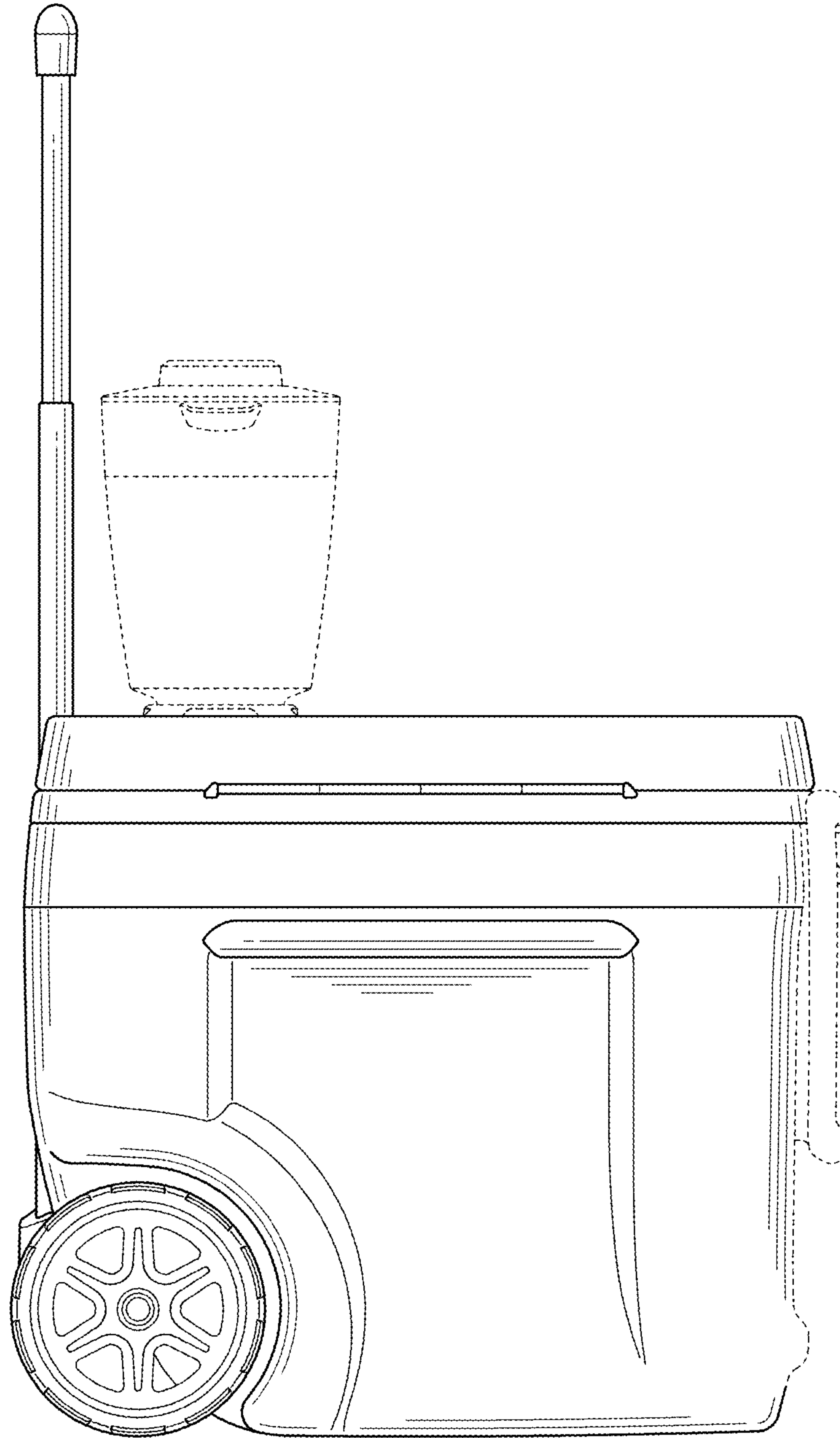


FIG. 7

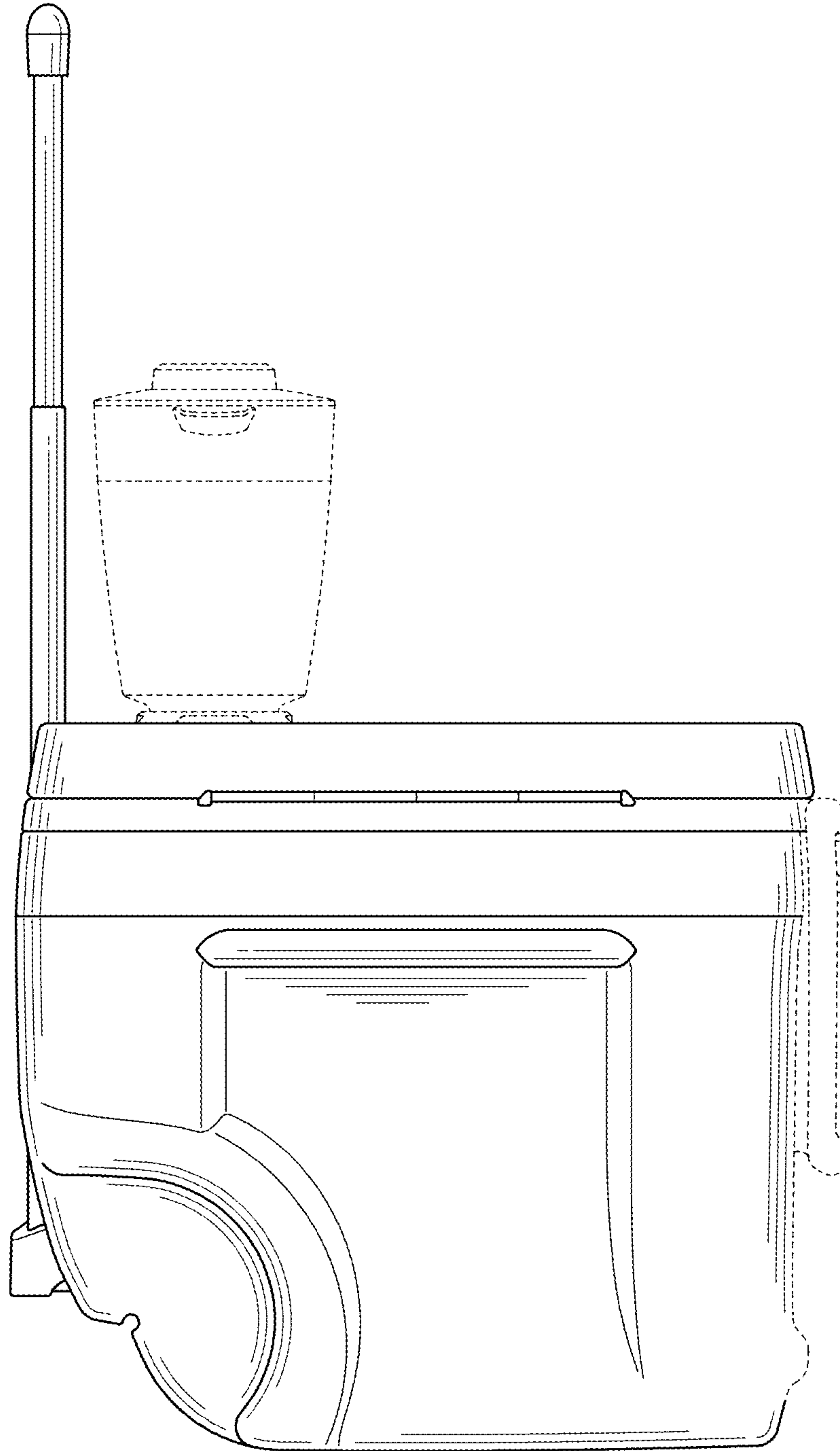


FIG. 8

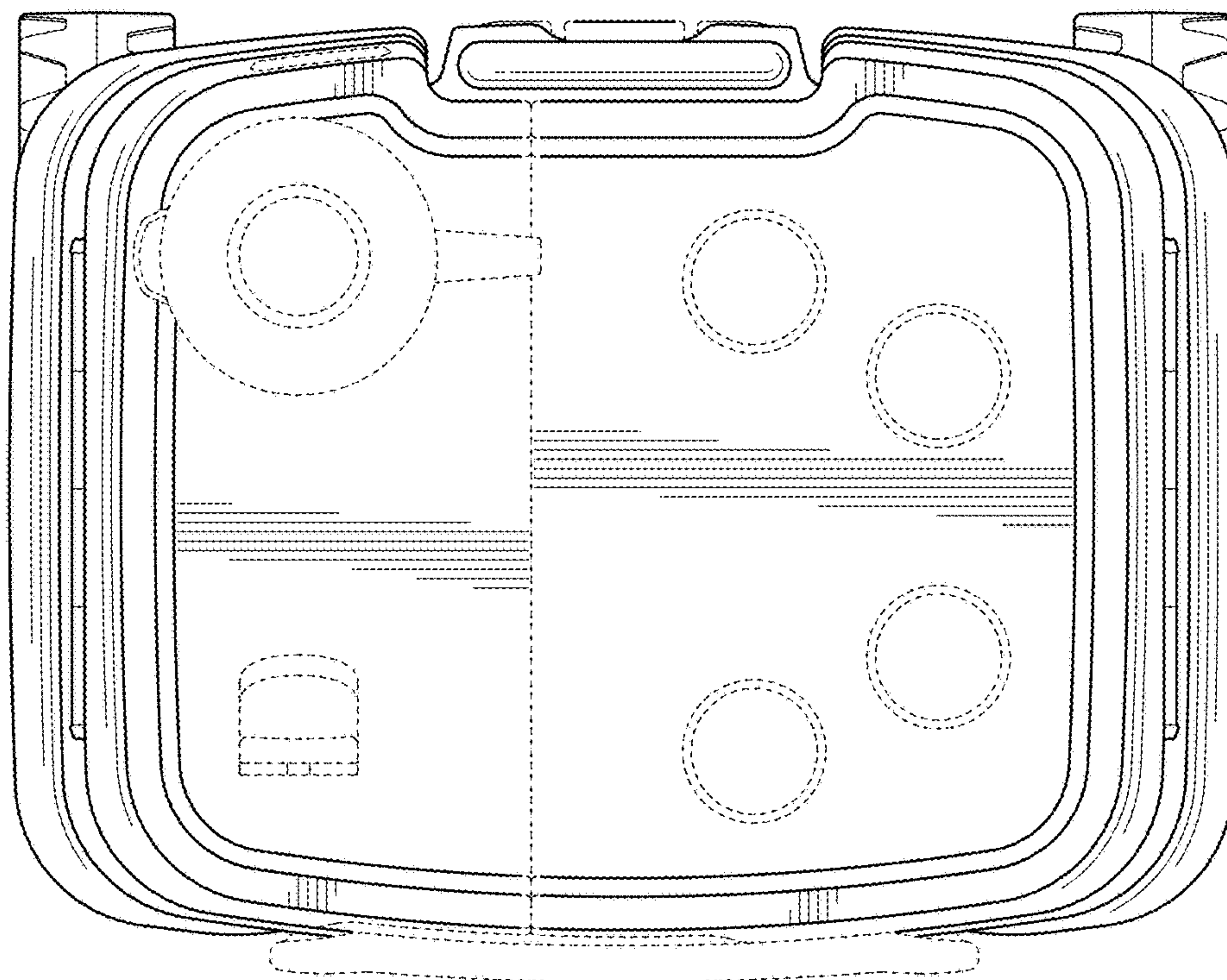


FIG. 9

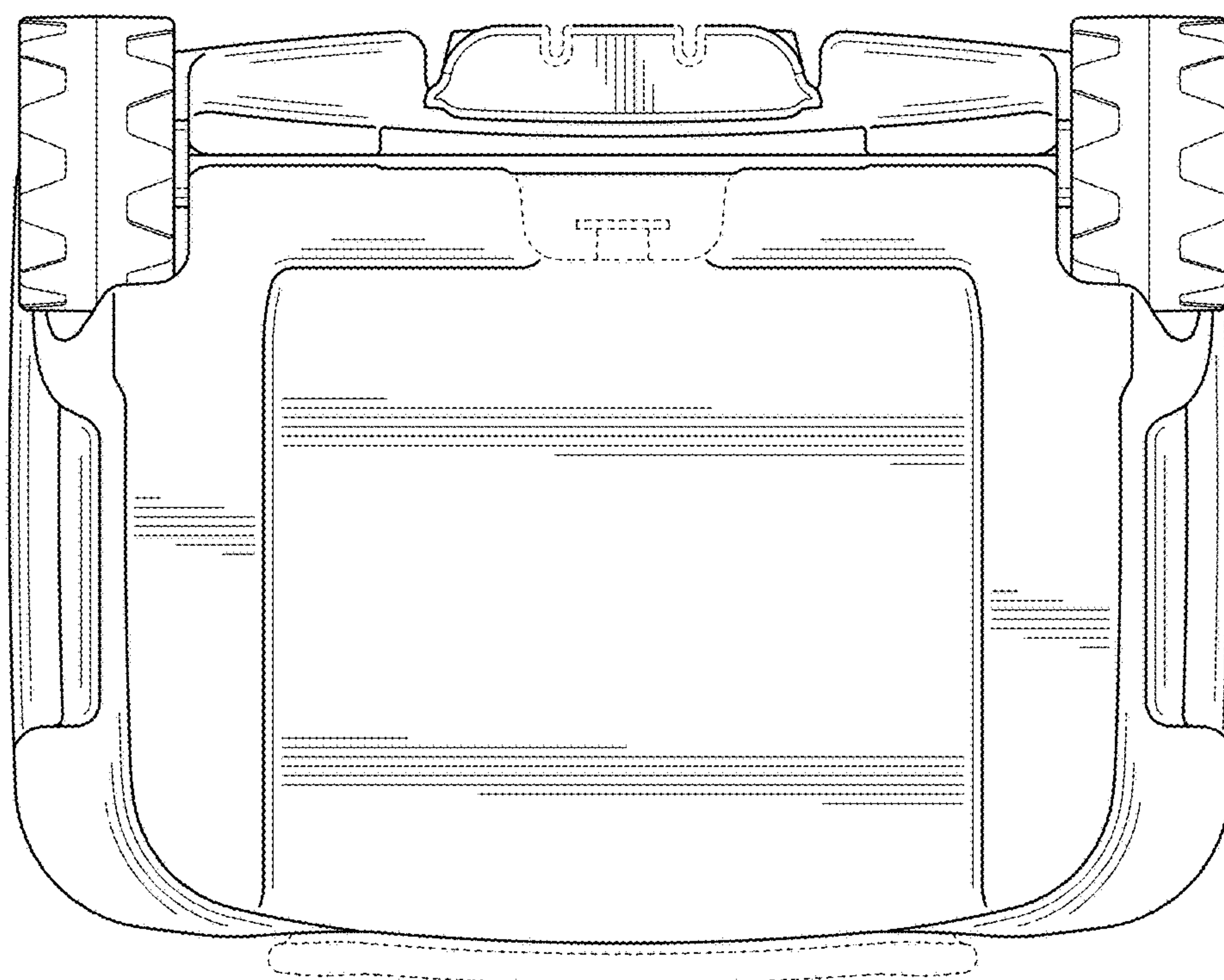


FIG. 10

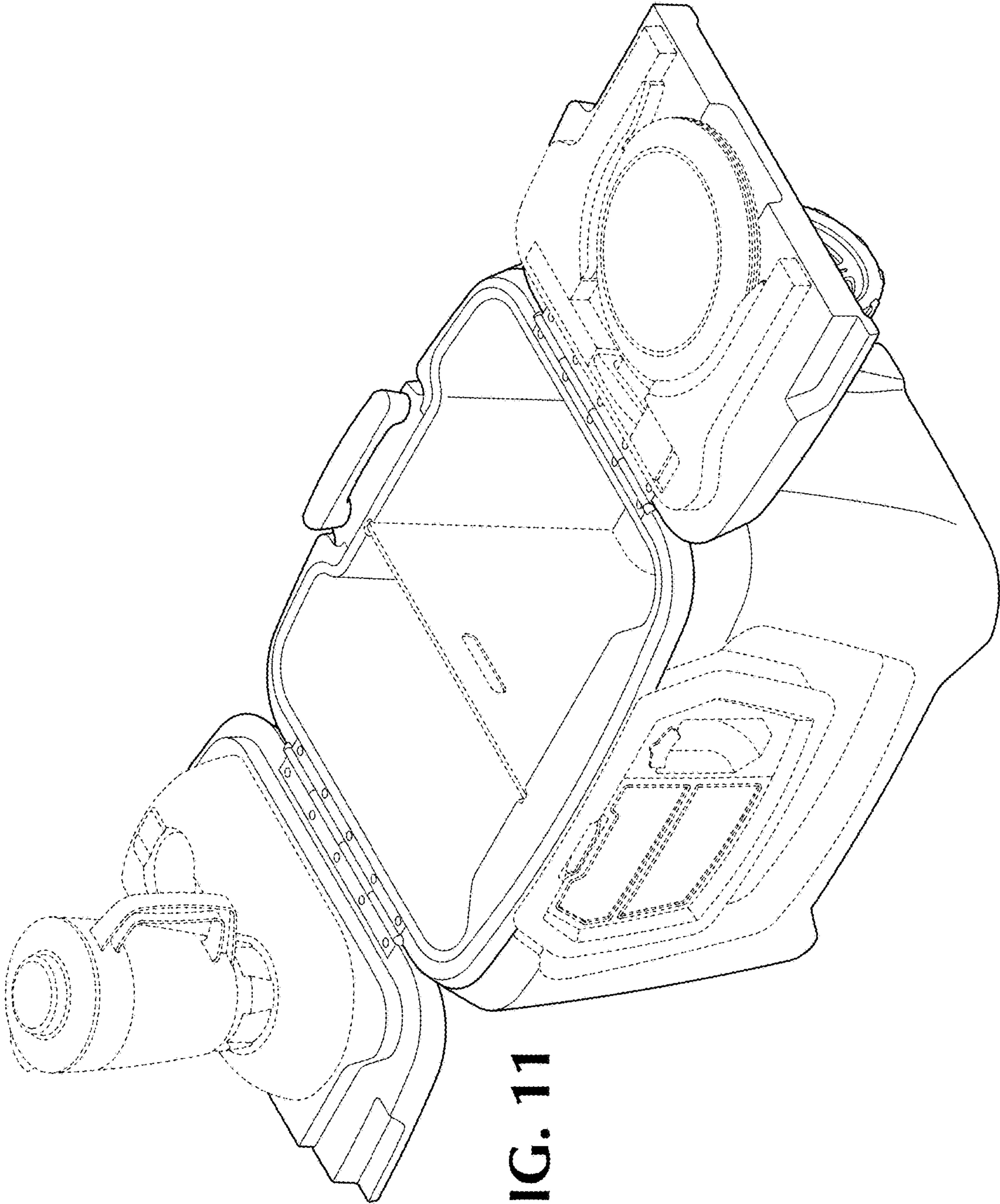


FIG. 11

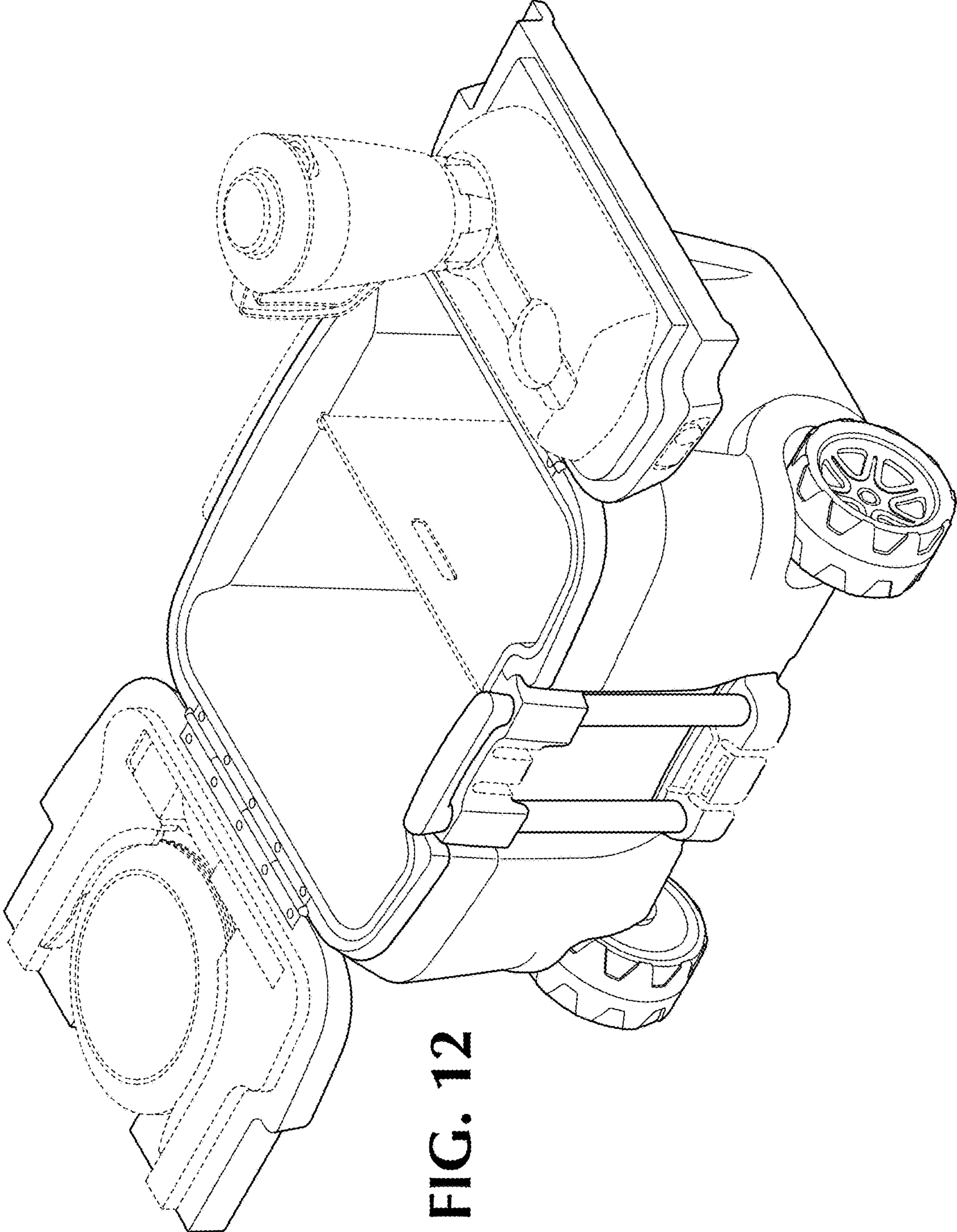


FIG. 12

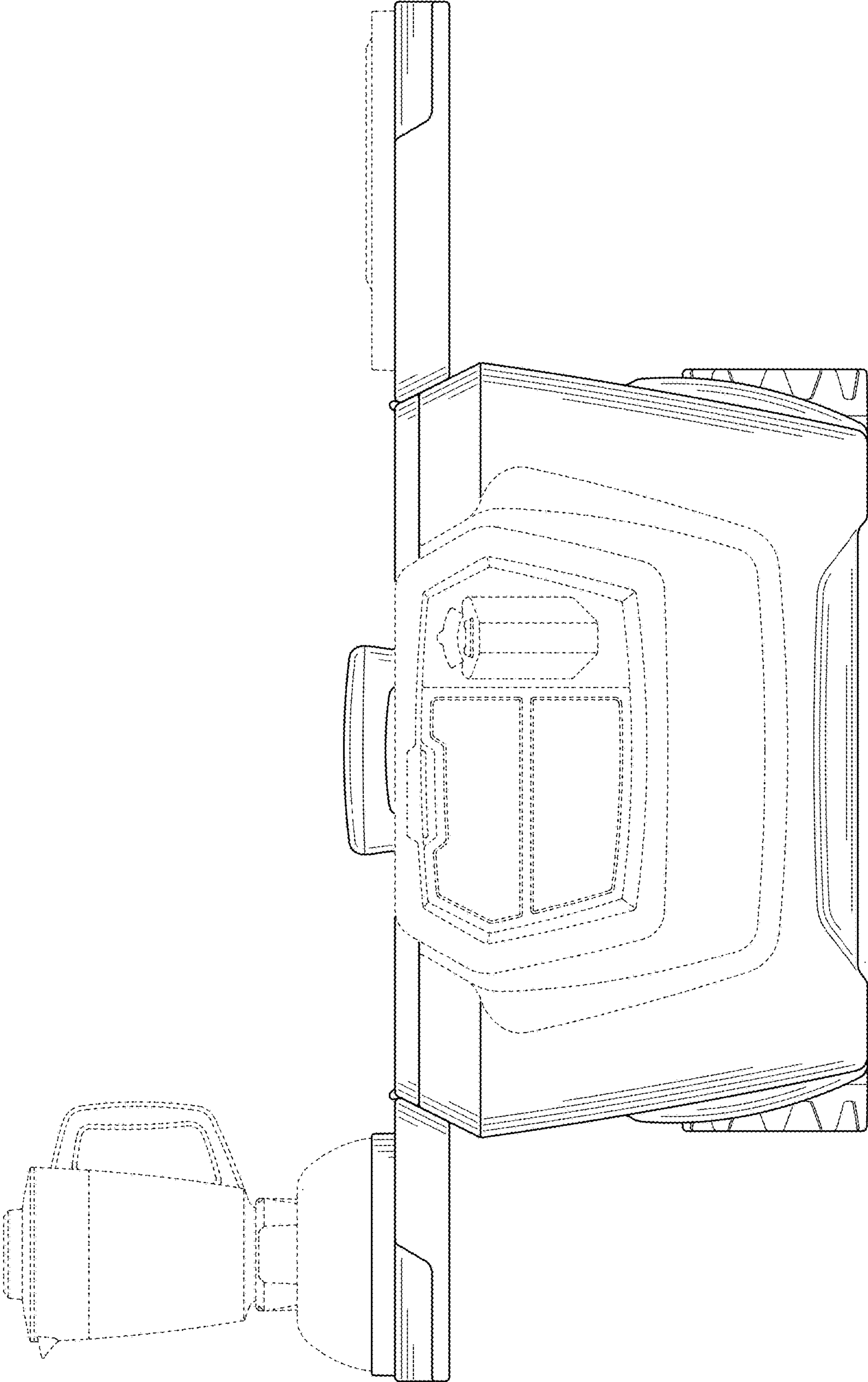


FIG. 13

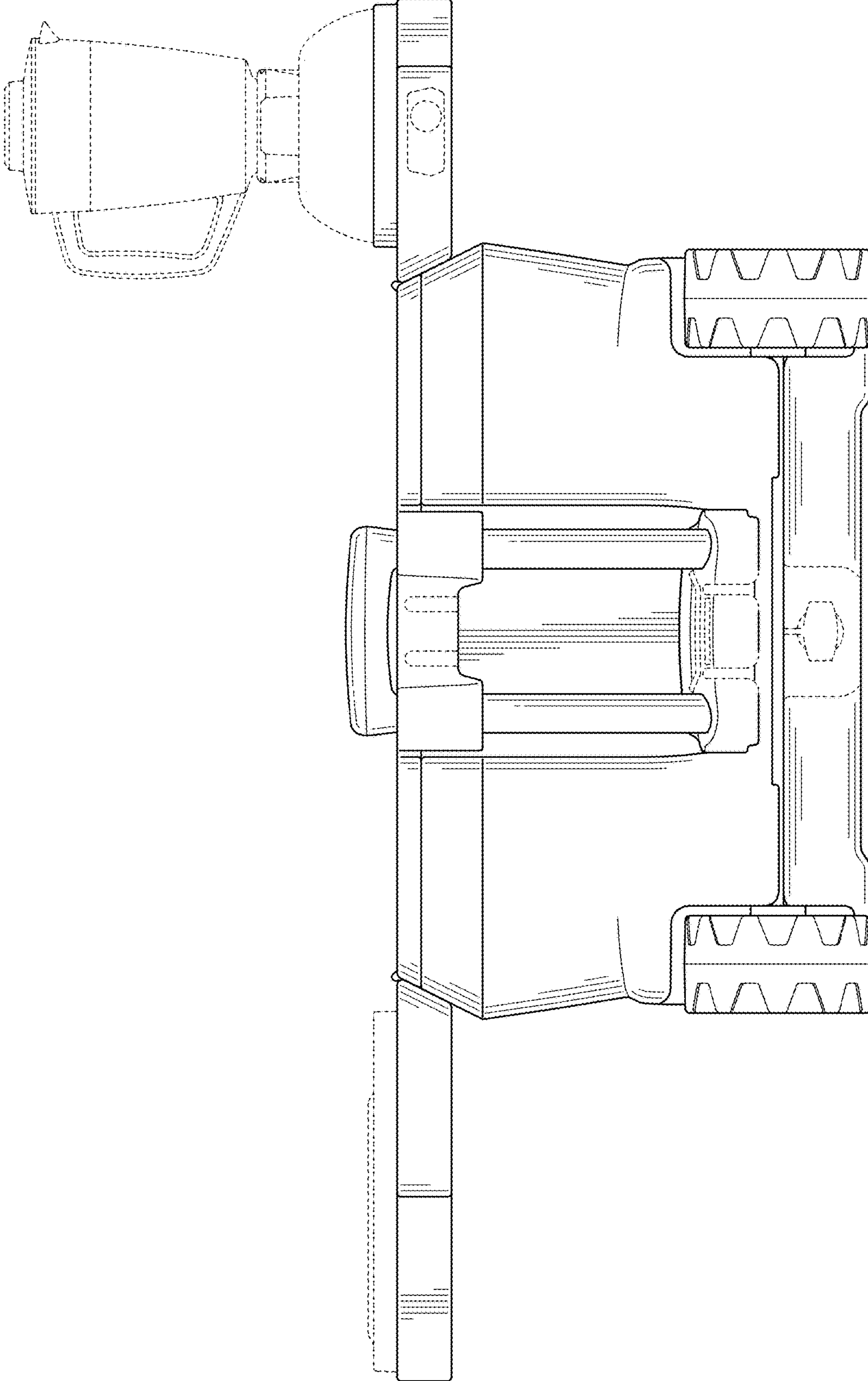


FIG. 14

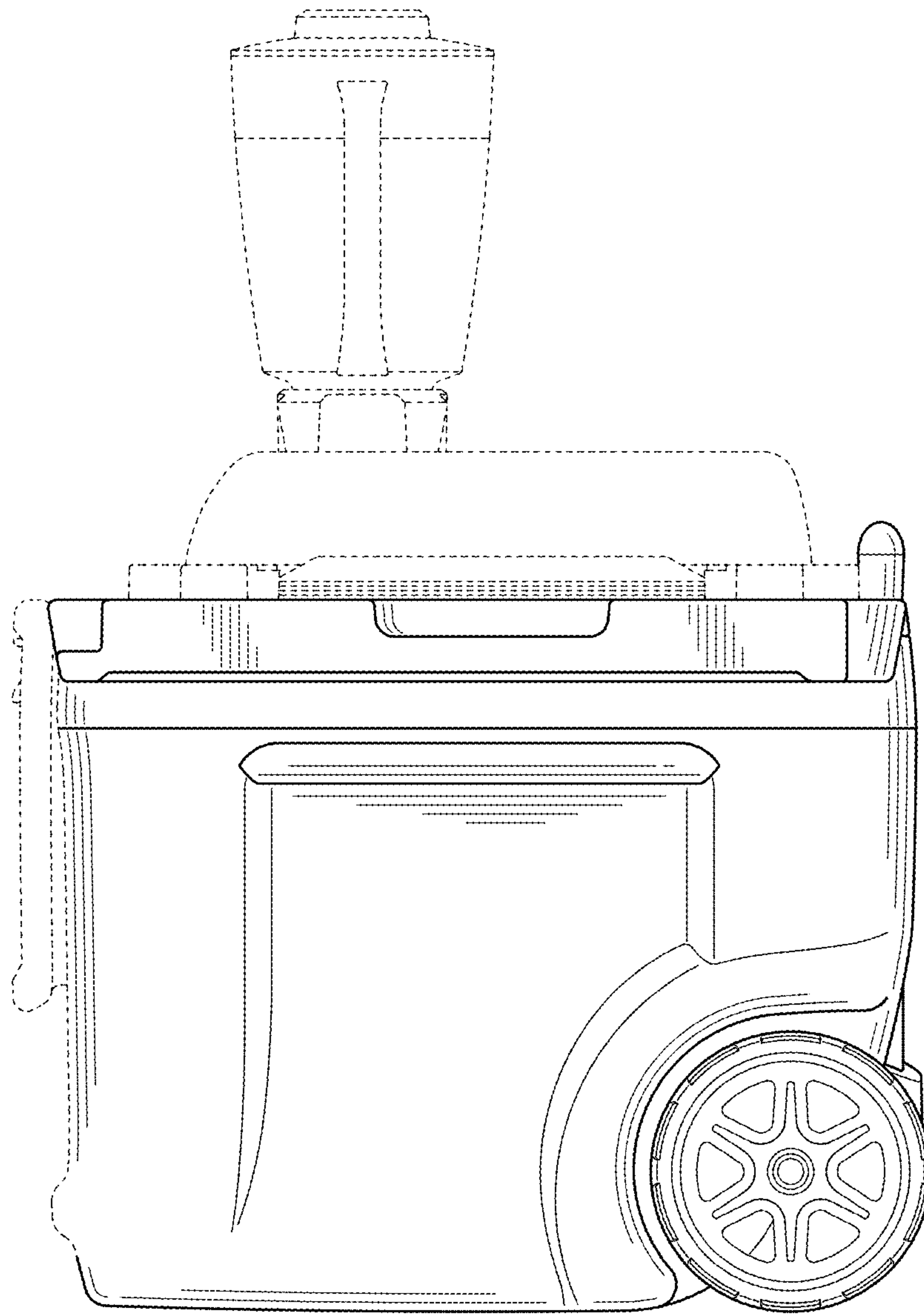


FIG. 15

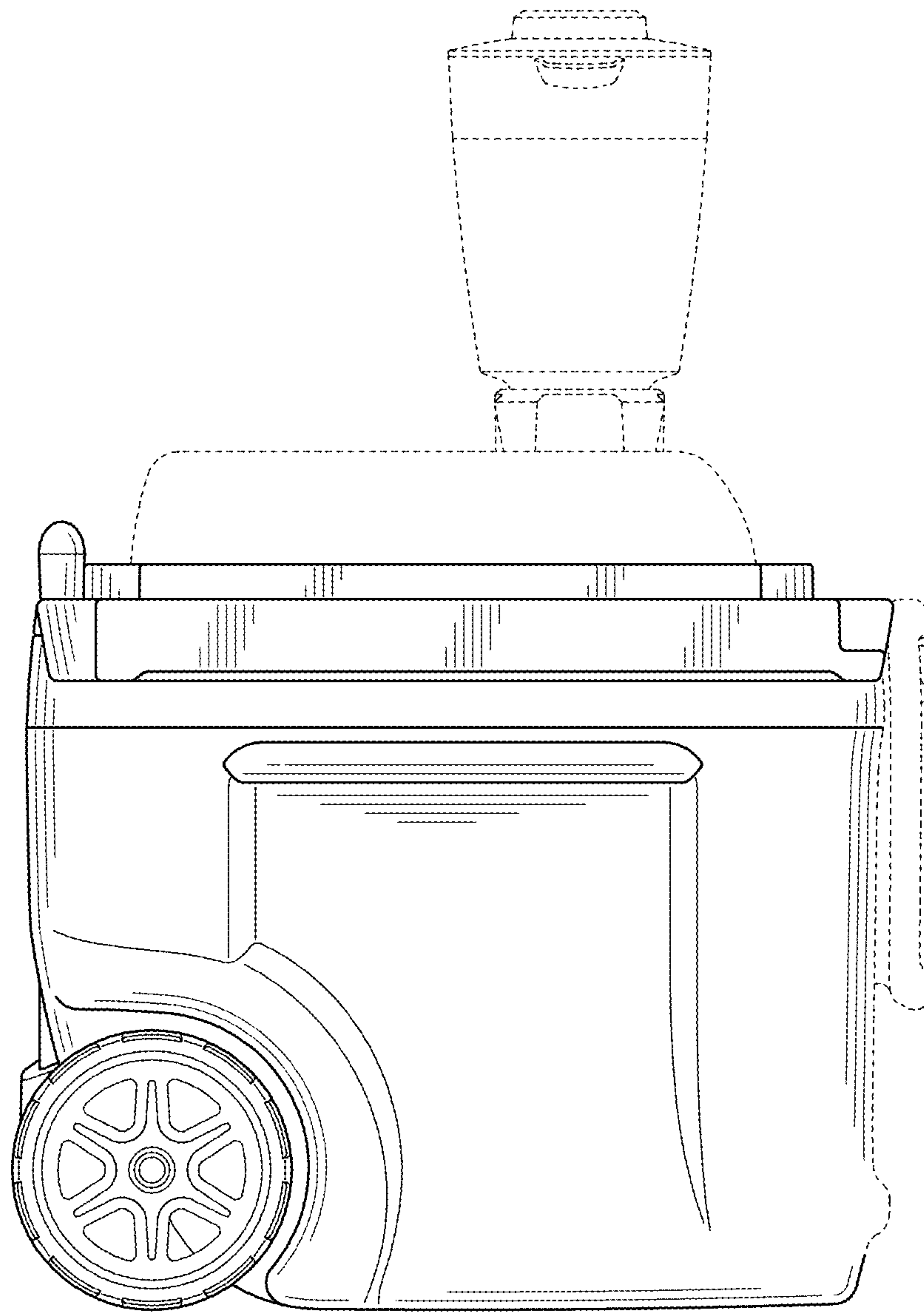


FIG. 16

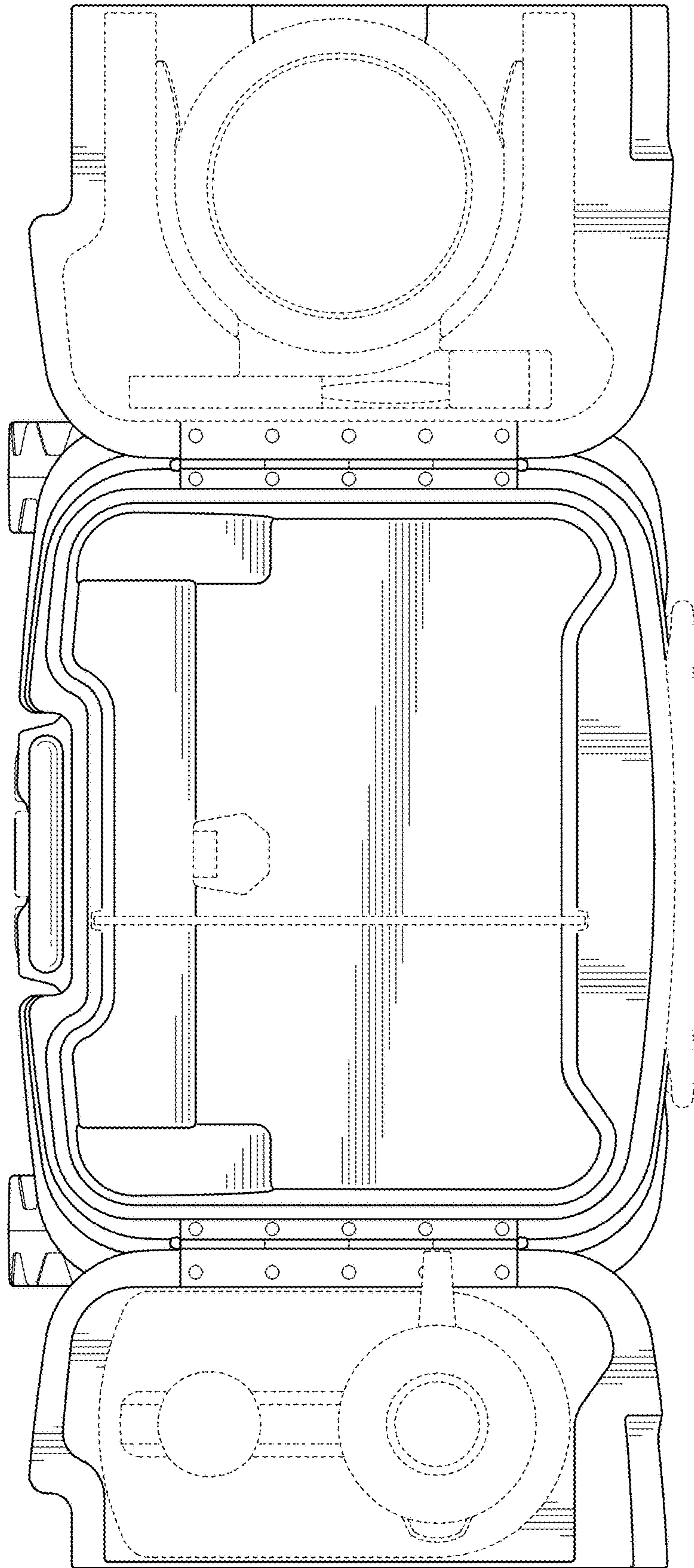


FIG. 17

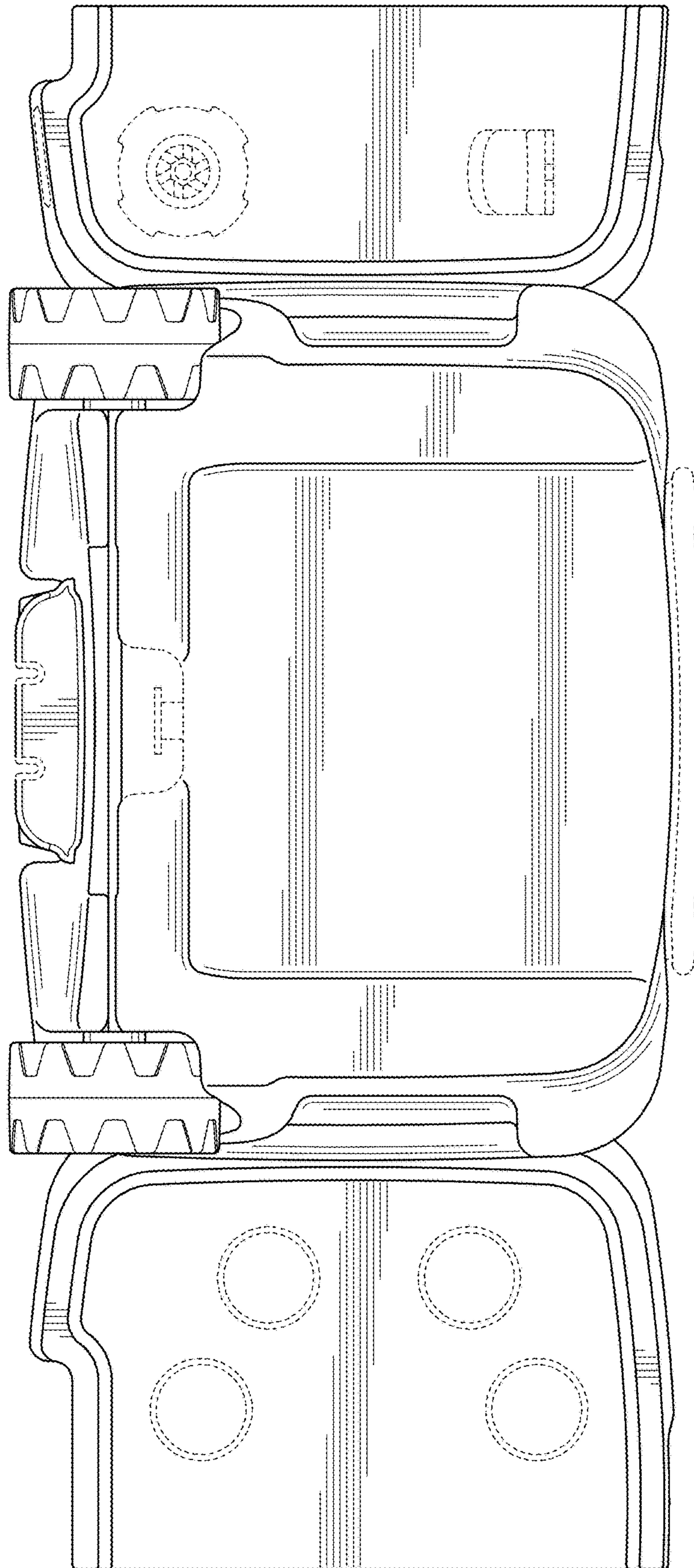


FIG. 18