



US00D807706S

(12) **United States Design Patent** (10) **Patent No.:** **US D807,706 S**
Lee (45) **Date of Patent:** **** Jan. 16, 2018**

- (54) **COOLER**
- (71) Applicant: **JBL INTERNATIONAL, INC.**,
Houston, TX (US)
- (72) Inventor: **Lawrence K. Lee**, Houston, TX (US)
- (73) Assignee: **JBL INTERNATIONAL, INC.**,
Houston, TX (US)
- (**) Term: **15 Years**
- (21) Appl. No.: **29/583,123**
- (22) Filed: **Nov. 2, 2016**
- (51) **LOC (11) Cl.** **07-01**
- (52) **U.S. Cl.**
USPC **D7/605**
- (58) **Field of Classification Search**
USPC D7/603-608, 629, 630; D6/691, 691.1
See application file for complete search history.

- 6,612,127 B2 * 9/2003 Simmons A47B 3/0818
62/457.2
- D563,117 S * 3/2008 Mayer D23/286
- D580,231 S * 11/2008 Lee D6/667
- D580,232 S * 11/2008 Lee D7/606
- D632,929 S * 2/2011 Lee D7/606

* cited by examiner

Primary Examiner — Terry A Wallace
 (74) *Attorney, Agent, or Firm* — Egbert Law Offices,
 PLLC

(57) **CLAIM**

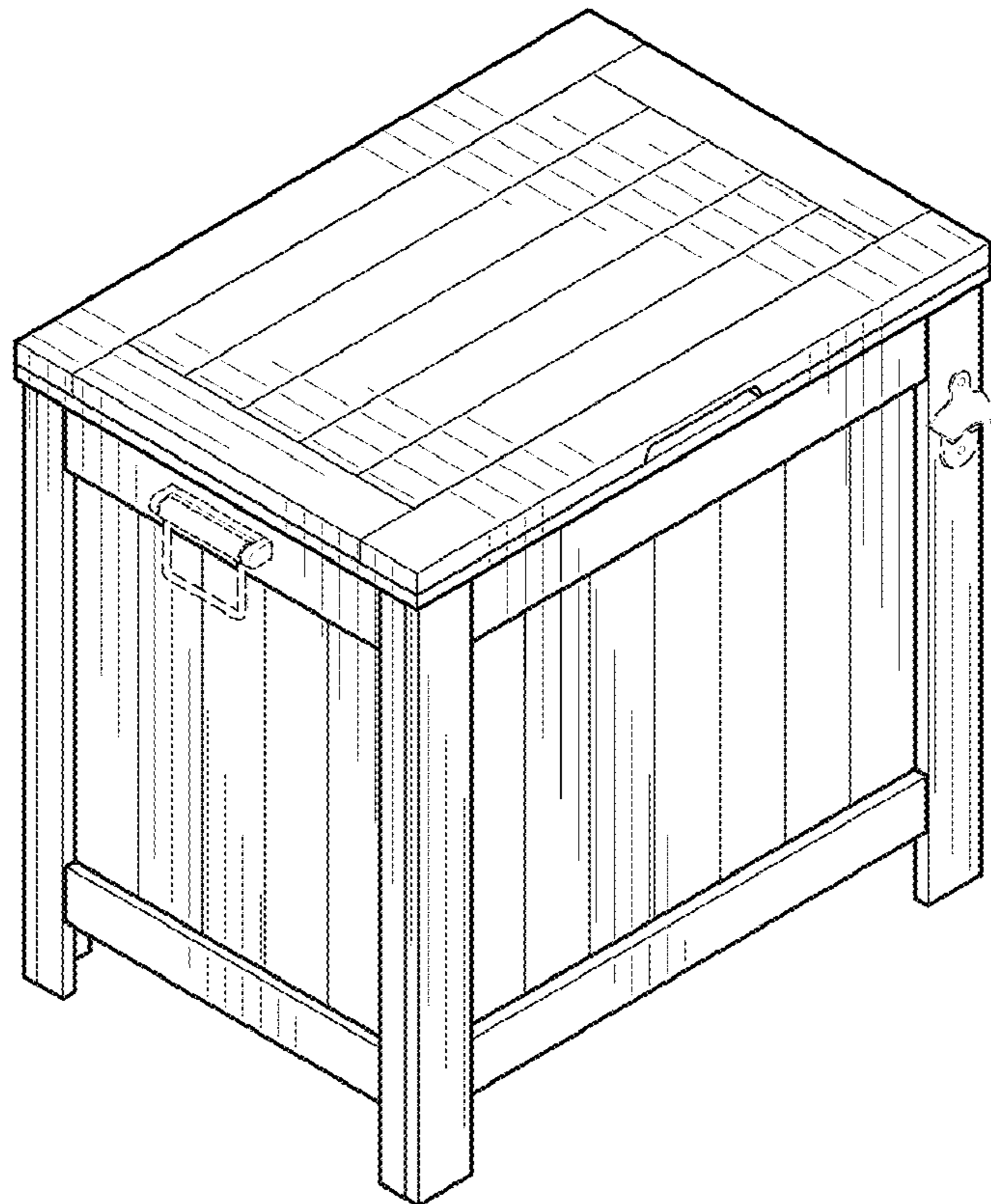
The ornamental design for a cooler, as shown and described.

DESCRIPTION

FIG. 1 is an upper perspective view of a cooler showing my new design.
 FIG. 2 is a front view thereof;
 FIG. 3 is a rear view thereof;
 FIG. 4 is a side view of the cooler, an opposite side view being a mirror image thereof;
 FIG. 5 is a top view of the cooler;
 FIG. 6 is a bottom view thereof; and,
 FIG. 7 is a lower perspective view thereof.
 The features presented in broken lines represent unclaimed portions of the cooler and form no part of the claimed design.

- (56) **References Cited**
 U.S. PATENT DOCUMENTS
 4,581,902 A * 4/1986 Starck A45C 9/00
 190/11
 D428,733 S * 8/2000 Hazen D6/668
 D437,736 S * 2/2001 Moffett, III D7/605
 D448,625 S * 10/2001 Moffett, III D7/605

1 Claim, 3 Drawing Sheets



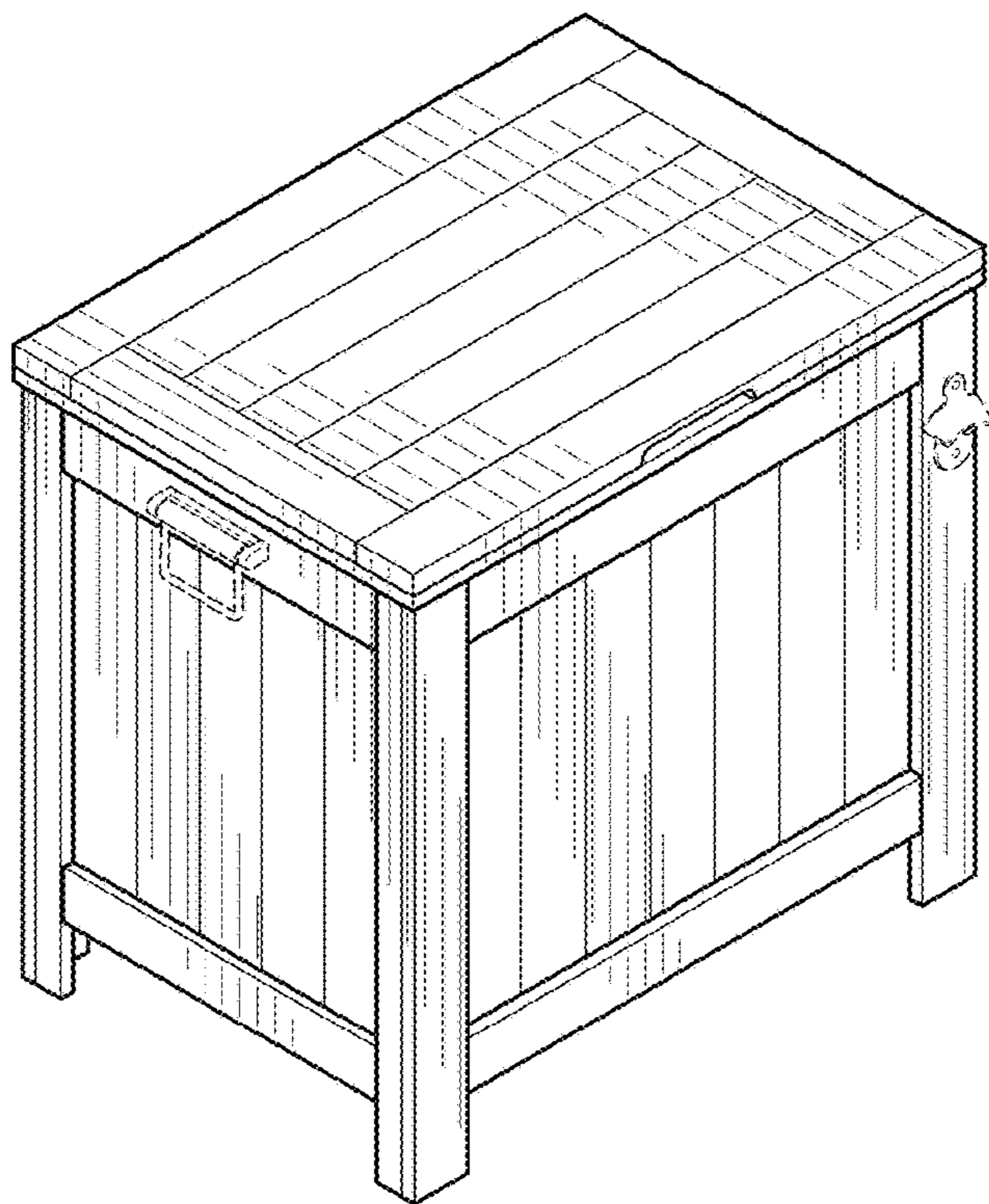


FIG. 1

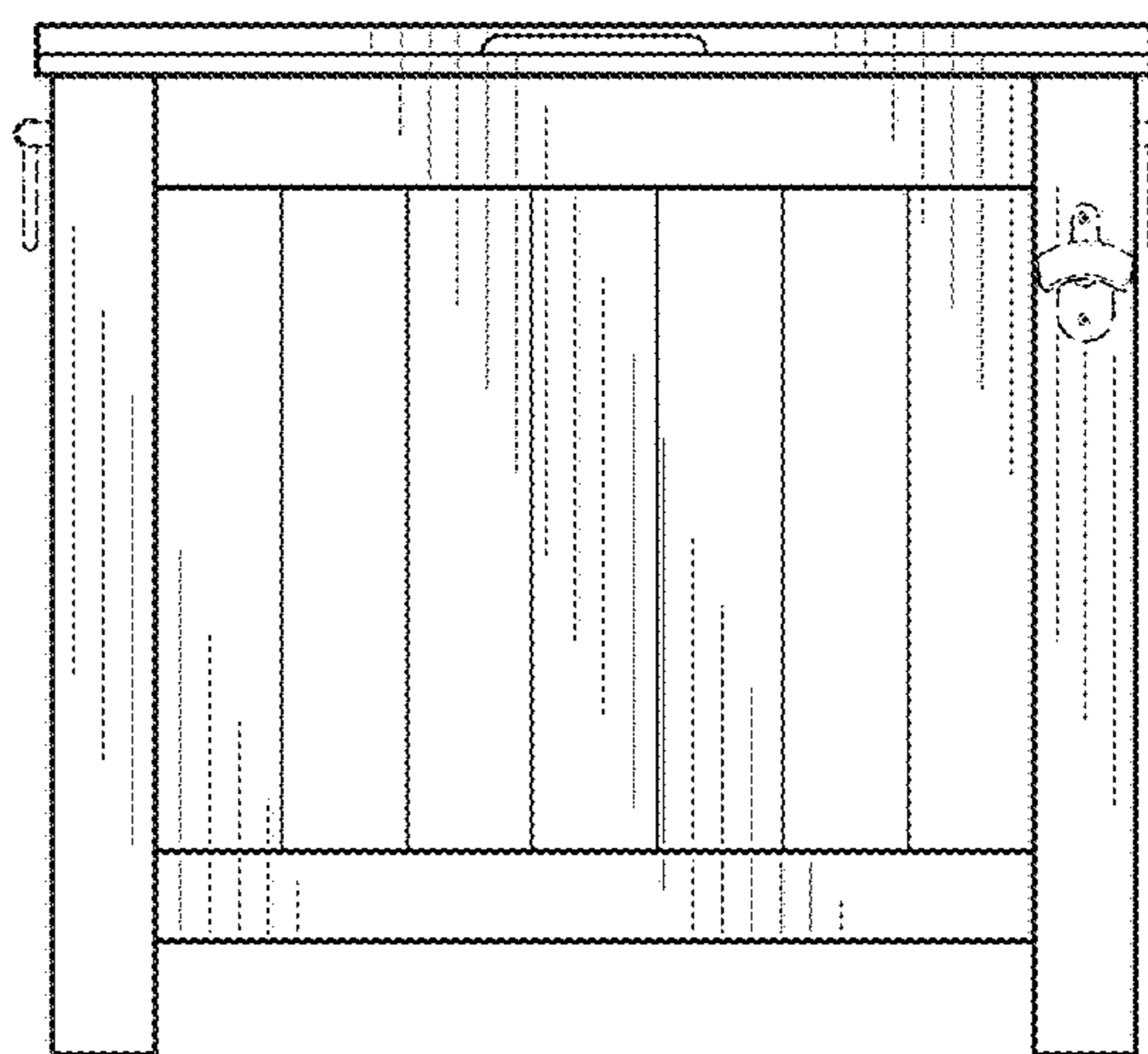


FIG. 2

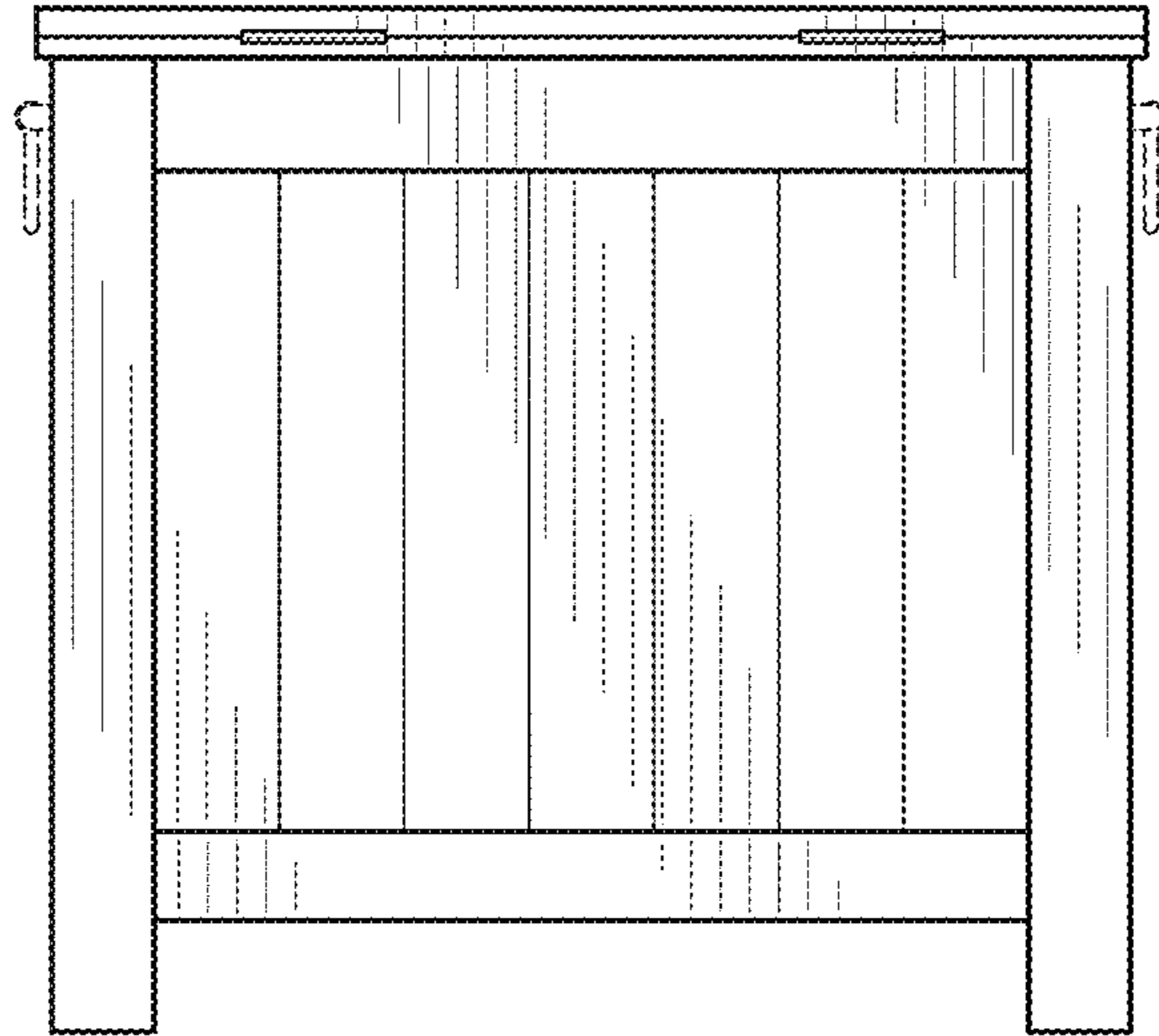


FIG. 3

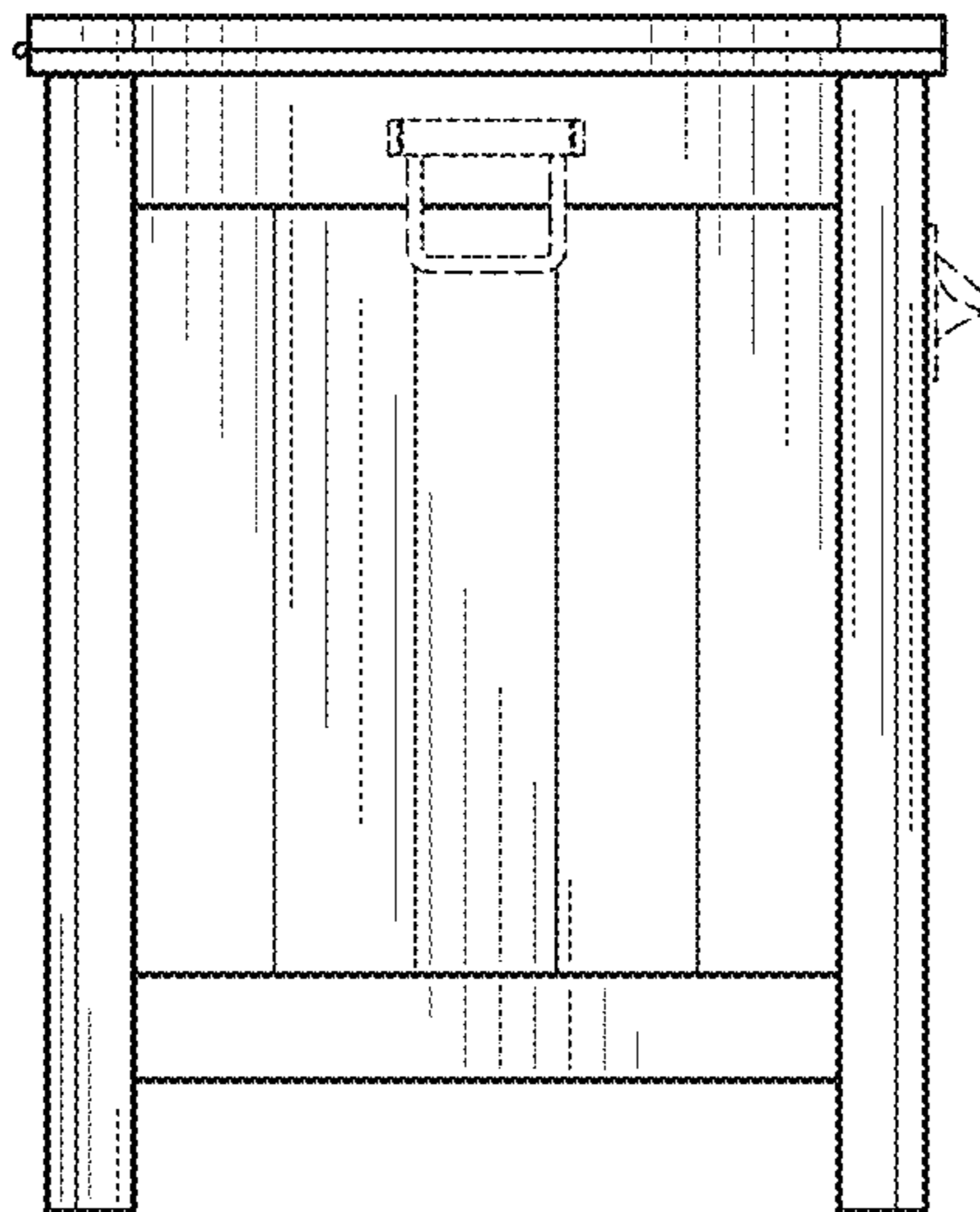


FIG. 4

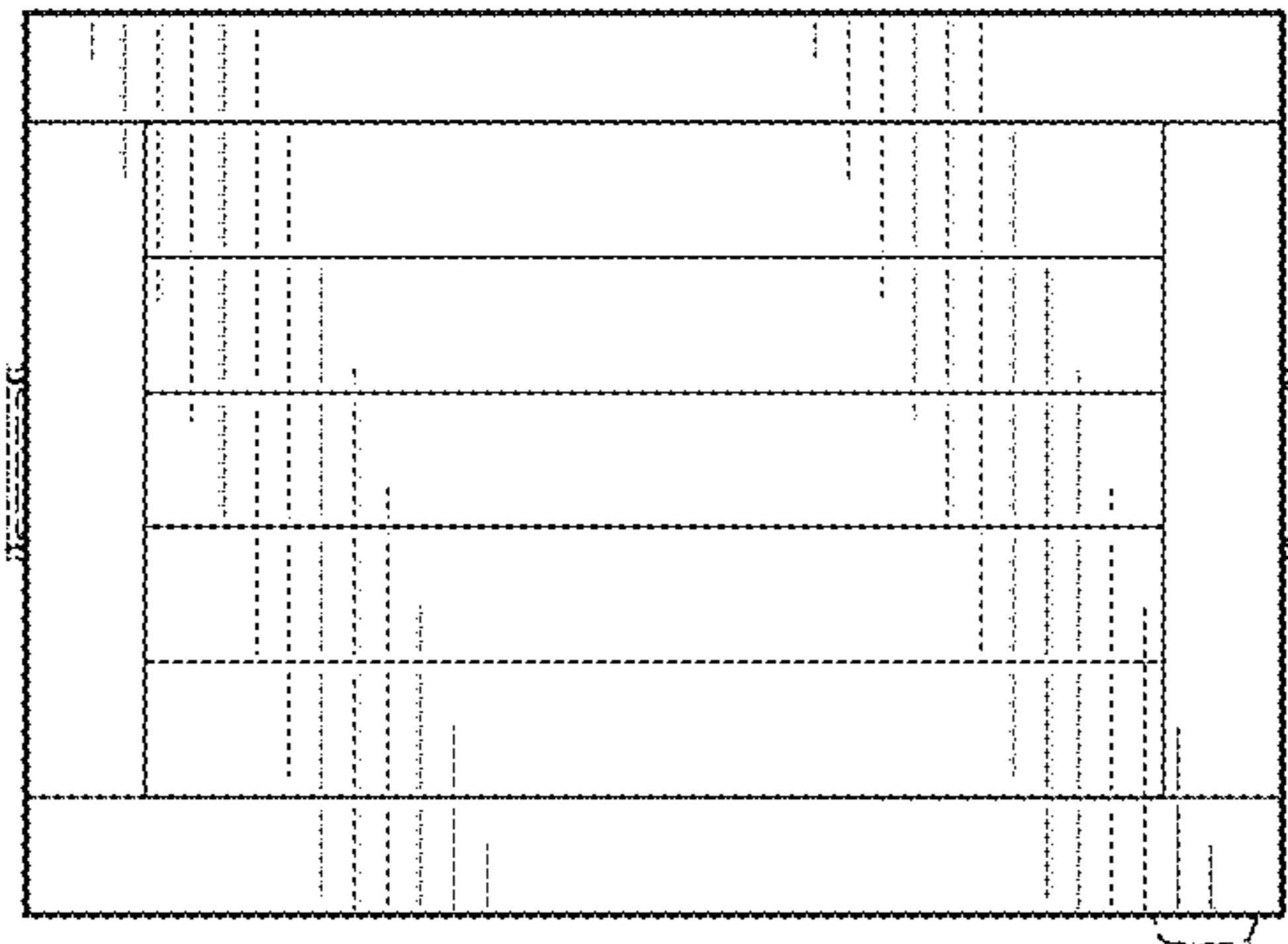


FIG. 5

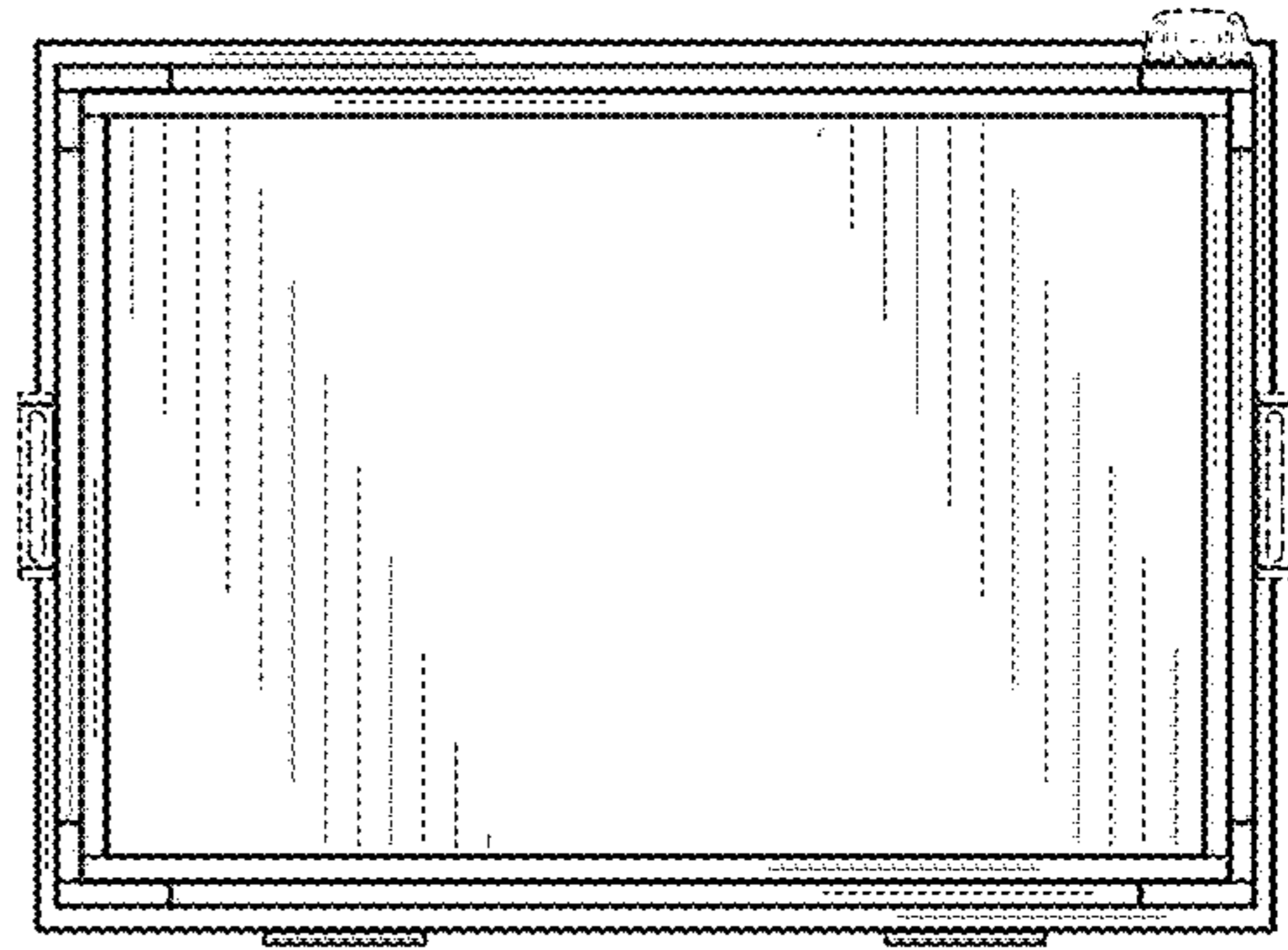


FIG. 6

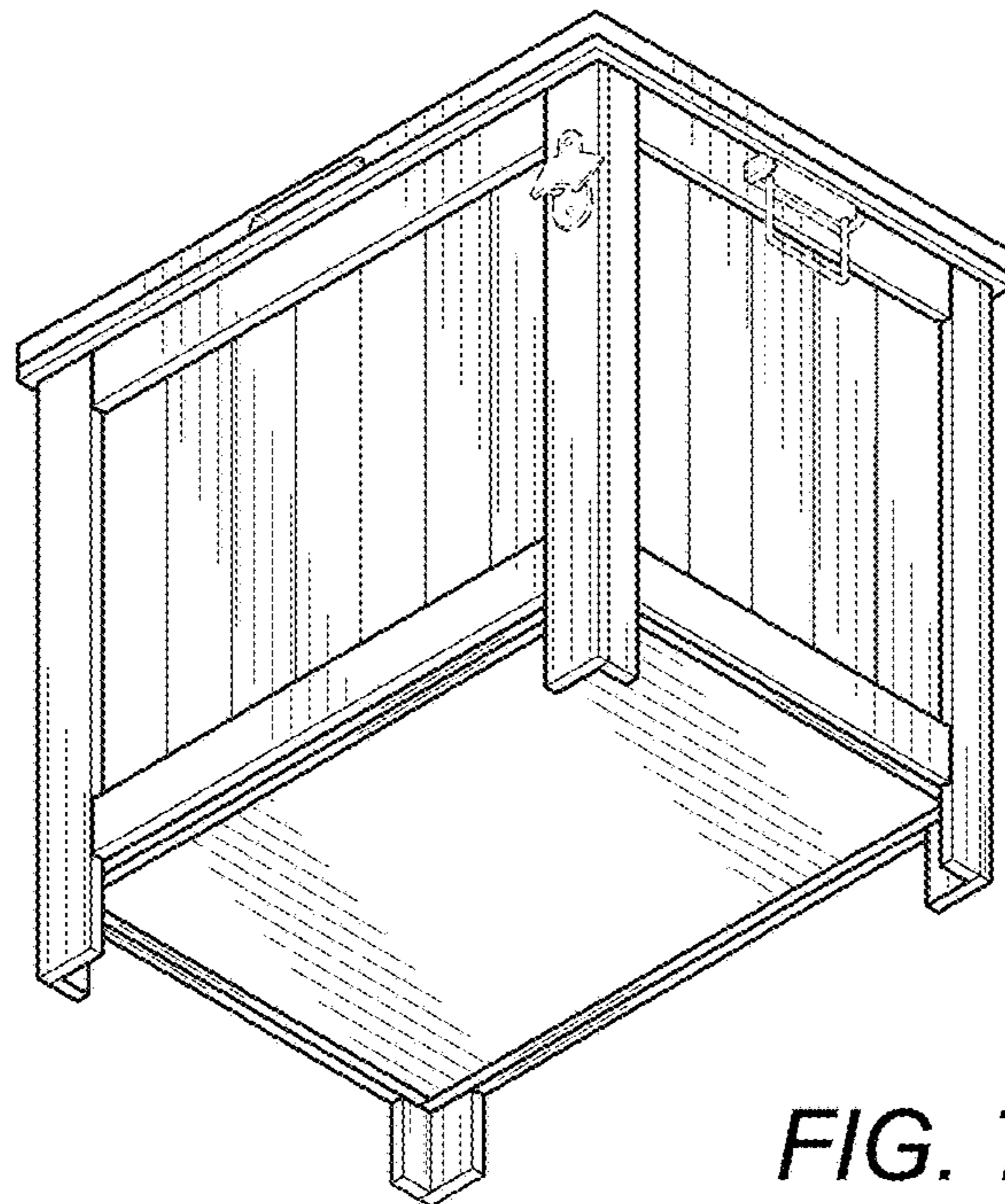


FIG. 7