



US00D807705S

(12) **United States Design Patent**
Laurain

(10) **Patent No.:** **US D807,705 S**
(45) **Date of Patent:** **** Jan. 16, 2018**

- (54) **FEEDING MAT WITH INTEGRATED RECEPTACLES**
- (71) Applicant: **Lindsey Laurain**, Parker, CO (US)
- (72) Inventor: **Lindsey Laurain**, Parker, CO (US)
- (**) Term: **15 Years**
- (21) Appl. No.: **29/561,107**
- (22) Filed: **Apr. 13, 2016**
- (51) **LOC (11) Cl.** **07-01**
- (52) **U.S. Cl.**
USPC **D7/555; D7/553.4; D7/505; D30/130**
- (58) **Field of Classification Search**
USPC D7/507, 509, 505, 510, 511, 512, 514, D7/515, 518, 521, 300, 300.1, 529, 532, D7/533, 534, 536, 517, 520, 531, 500, D7/503, 537, 524, 586, 558, 552.2, 550.1, D7/553.2, 396.6, 401, 403, 584, 587, 698, D7/388, 555, 557, 553.4, 553.8; D21/405, 406, 411; 220/592.16, 592.17, 220/574, 575, 635, 606; D24/197; D30/130, 129; D6/612-616; D32/55, 57
CPC B65D 1/36; B65D 25/10; B65D 47/066; A61J 9/00; A47J 43/27; A47G 19/22; A47G 19/222
See application file for complete search history.

- 4,989,846 A * 2/1991 Quinn A47G 23/06 269/54.5
- 5,172,826 A * 12/1992 Celaya A47G 19/02 220/574
- D344,436 S * 2/1994 Walls D7/553.4
- 5,445,110 A * 8/1995 Birnie A01K 5/0128 119/61.5
- D362,090 S * 9/1995 Baldwin D30/130
- D373,858 S * 9/1996 Chen D30/130
- D386,838 S * 11/1997 Pini D30/133
- D391,118 S * 2/1998 Jørgensen D7/584
- D402,851 S * 12/1998 Stauffer D7/505
- D434,945 S * 12/2000 Godwin D7/546
- D442,831 S * 5/2001 Jacobs D7/584
- D465,973 S * 11/2002 Dritlein, Jr. D7/538
- D541,488 S * 4/2007 Marsh D30/130

(Continued)

OTHER PUBLICATIONS

https://web.archive.org/web/20151207013345/https://www.frostyowlz.com/FrostyBowlz_Magnetic_Matz_p/3820.htm Dec. 7, 2015 Frosty Bowlz.*

Primary Examiner — Marianne Pandozzi
Assistant Examiner — Jae Liang
(74) *Attorney, Agent, or Firm* — Williams Intellectual Property; Benjamin F. Williams

(57) **CLAIM**

The ornamental design for a feeding mat with integrated receptacles, as shown and described.

DESCRIPTION

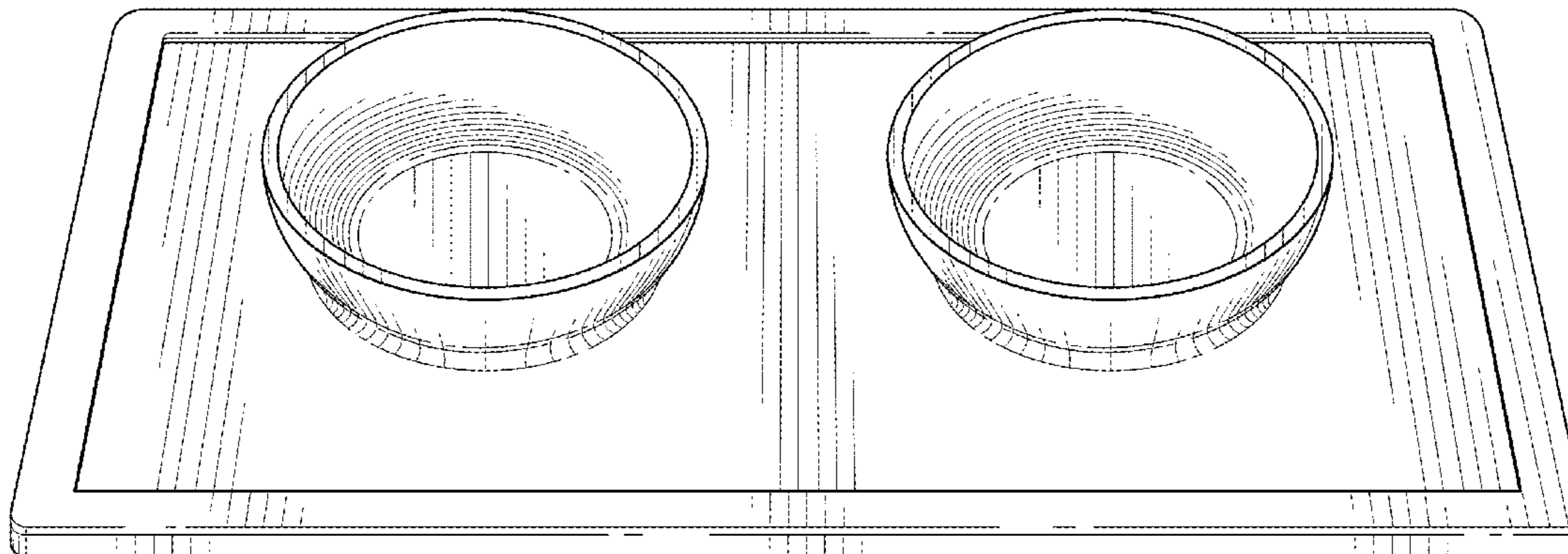
FIG. 1 is an elevated isometric view of a feeding mat with integrated receptacles showing my new design; FIG. 2 is a front view thereof; FIG. 3 is a rear view thereof; FIG. 4 is a left side view thereof; FIG. 5 is a right side view thereof; FIG. 6 is a top view thereof; and, FIG. 7 is a bottom view thereof.

1 Claim, 7 Drawing Sheets

(56) **References Cited**

U.S. PATENT DOCUMENTS

- 2,813,509 A * 11/1957 Bruno A01K 5/0114 119/51.01
- 2,850,079 A * 9/1958 Prushnok A47G 19/10 248/310
- D193,071 S * 6/1962 Chadbourne D7/553.3
- D229,073 S * 11/1973 Brickel 119/61.5
- D259,669 S * 6/1981 Peterson D30/130
- D283,096 S * 3/1986 Uhrik D7/555
- D288,051 S * 2/1987 Unger D7/560
- D301,427 S * 6/1989 Klingelhofer D7/508



(56)

References Cited

U.S. PATENT DOCUMENTS

D560,099 S *	1/2008	Hatcher	D7/554.3	2005/0229793 A1*	10/2005	Wengrovsky	A47G 19/02
D590,659 S *	4/2009	Lloyd	D7/509					99/483
D601,310 S *	9/2009	Greenan	D30/129	2009/0223463 A1*	9/2009	Chem	A01K 1/033
D631,696 S *	2/2011	Lipfert	D7/505					119/482
D652,259 S *	1/2012	Hatcher	D7/553.5	2010/0107984 A1*	5/2010	Uffner	A01K 5/0114
D659,913 S *	5/2012	Spectre	D30/130					119/61.5
D664,405 S *	7/2012	Chen	D7/698	2010/0162961 A1*	7/2010	Hove	A01K 5/0142
D699,076 S *	2/2014	Harris	D30/130					119/51.5
D703,001 S *	4/2014	Gross	D7/555	2012/0017837 A1*	1/2012	Crawford	A01K 5/01
8,807,082 B1*	8/2014	Alfonso	A01K 5/0142					119/61.1
				119/51.5	2012/0186497 A1*	7/2012	Spano	A01K 5/0114
D717,006 S *	11/2014	Alfonso	D30/129					108/26
D722,407 S *	2/2015	Roslonski	D30/130	2012/0273384 A1*	11/2012	Jaswal	A47G 23/06
D735,531 S *	8/2015	Wilson	D7/505					206/563
D738,695 S *	9/2015	Hsieh	D7/698	2014/0106314 A1*	4/2014	Brown	A47G 19/02
D766,659 S *	9/2016	Laurain	D30/130					434/127
D766,660 S *	9/2016	Laurain	D30/130	2015/0305533 A1*	10/2015	Yao	A47G 21/04
D767,941 S *	10/2016	Laurain	D6/616					220/574.1
D774,361 S *	12/2016	Laurain	D6/616	2017/0086423 A1*	3/2017	Wall	A01K 5/0135
D802,853 S *	11/2017	MacNeil	D30/133	2017/0280675 A1*	10/2017	MacNeil	A01K 5/0135
					2017/0280904 A1*	10/2017	Laurain	A47G 19/10

* cited by examiner

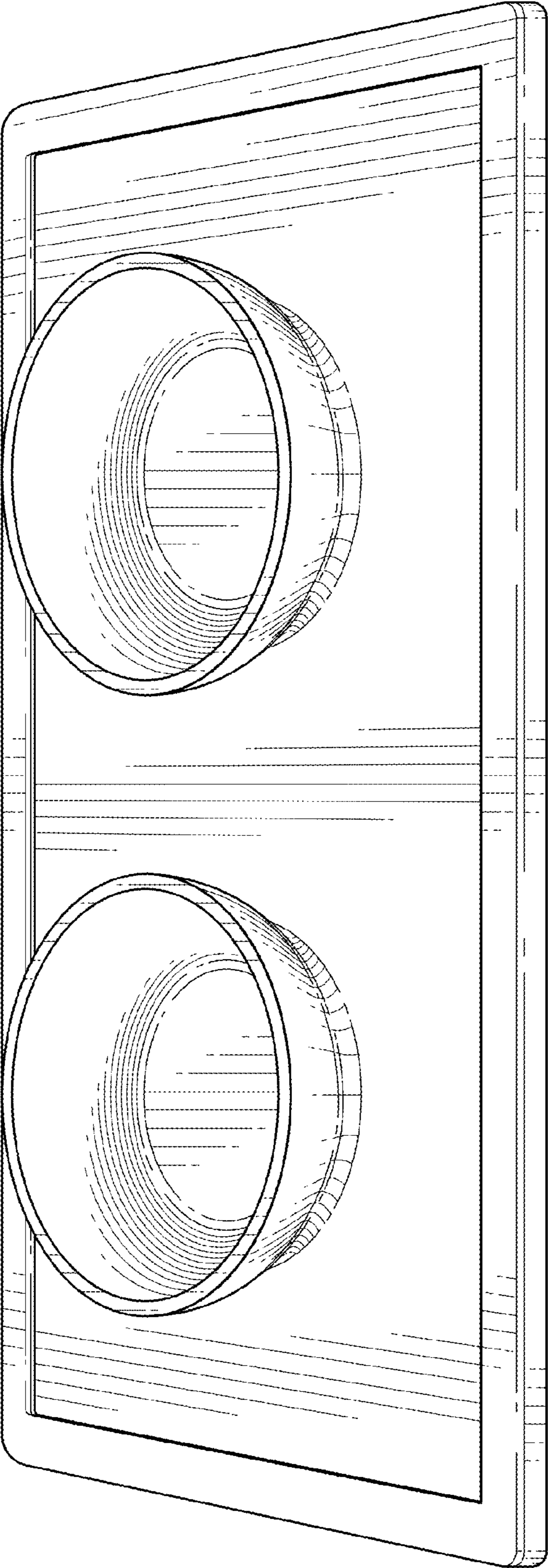


FIG. 1

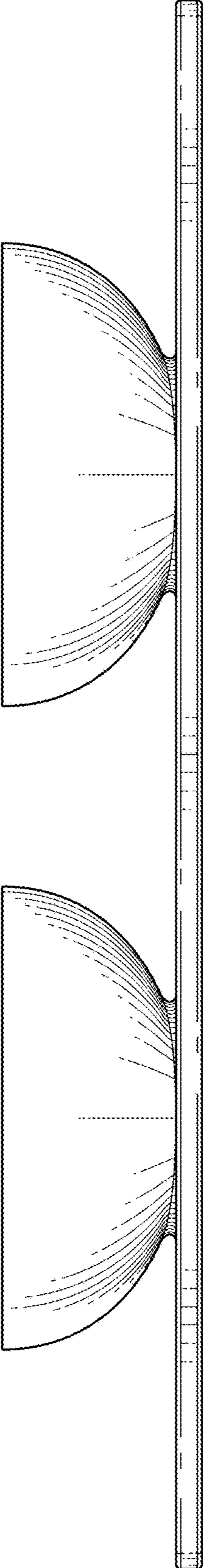


FIG. 2

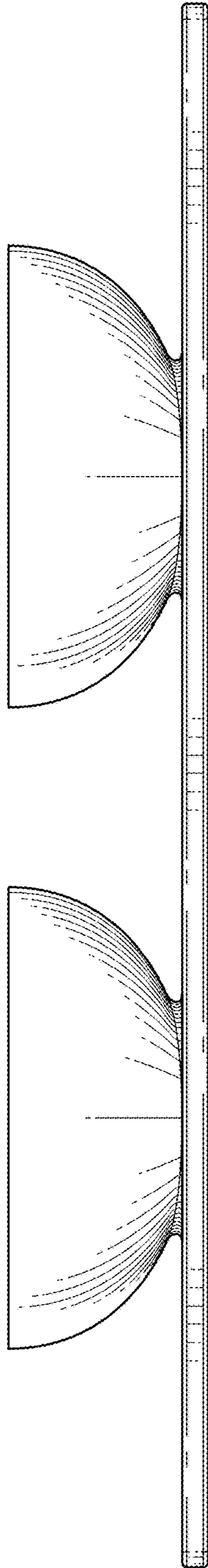


FIG. 3

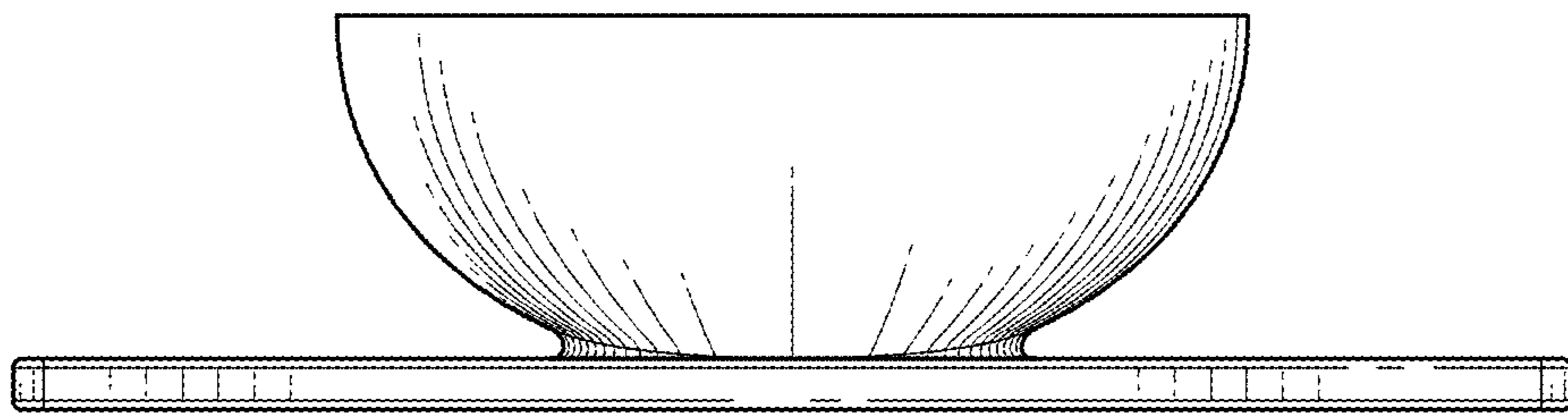


FIG. 4

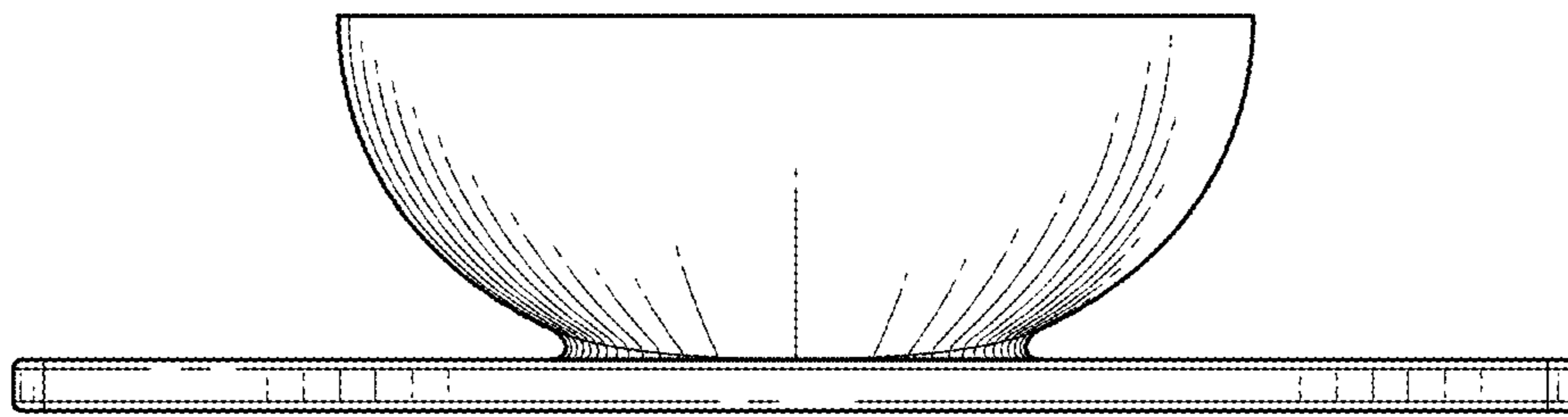


FIG. 5

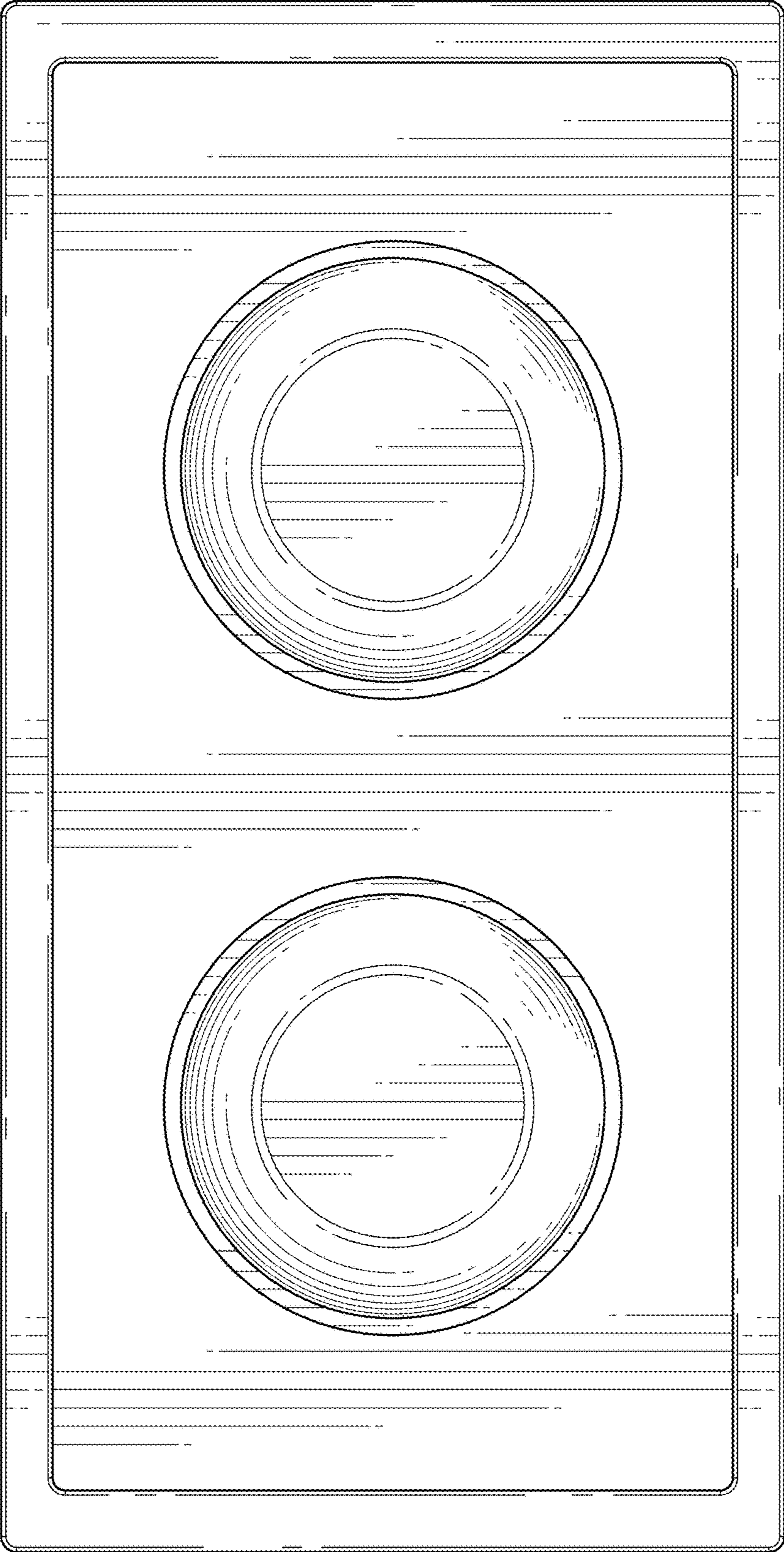


FIG. 6

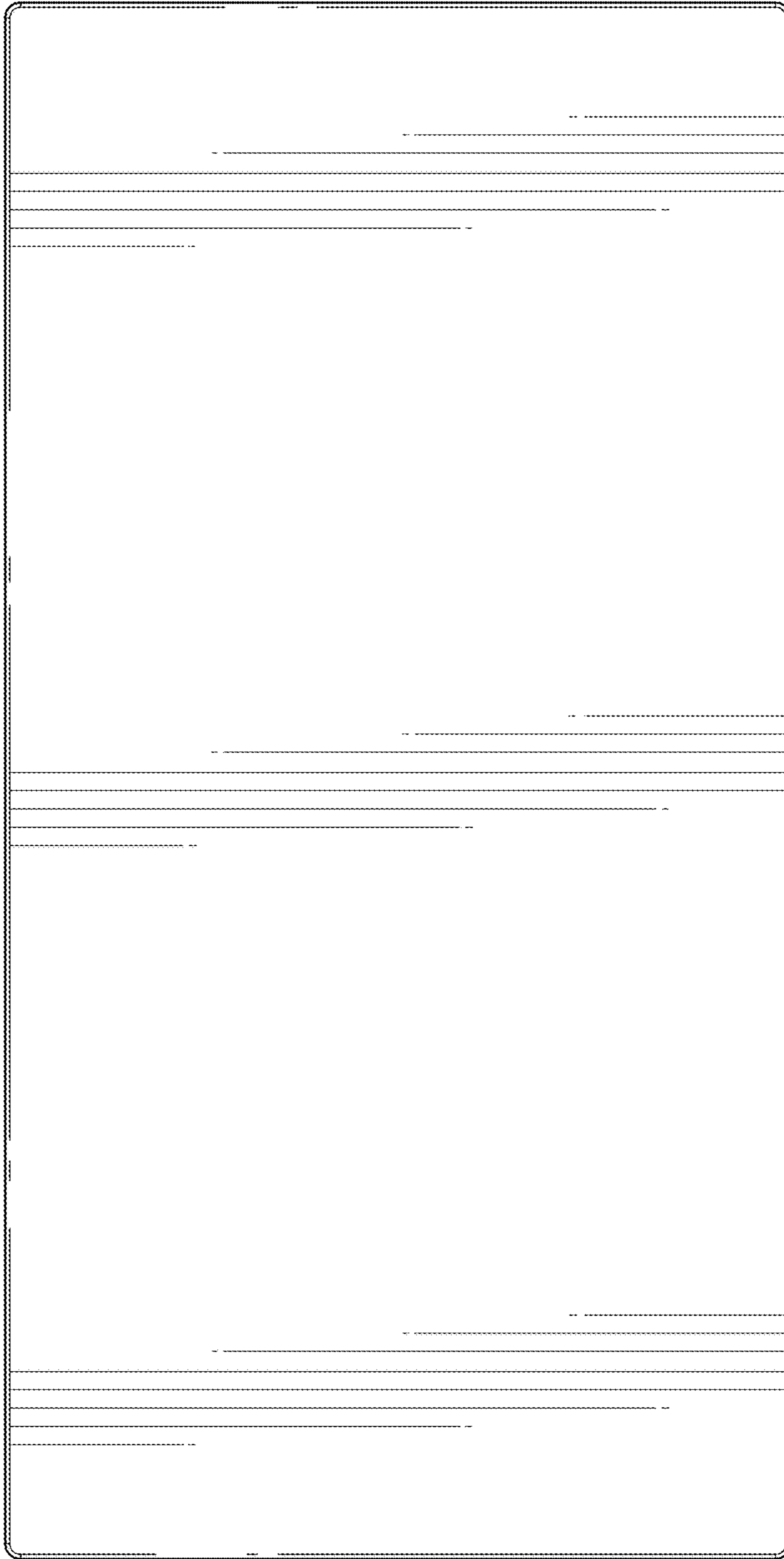


FIG. 7