



US00D807702S

(12) **United States Design Patent**
Szymanski

(10) **Patent No.:** **US D807,702 S**
(45) **Date of Patent:** **** Jan. 16, 2018**

(54) **CONTAINER**

(71) Applicant: **Aaron Szymanski**, Thomaston, CT
(US)

(72) Inventor: **Aaron Szymanski**, Thomaston, CT
(US)

(73) Assignee: **IdeaVillage Products Corp.**, Wayne,
NJ (US)

(**) Term: **15 Years**

(21) Appl. No.: **29/620,004**

(22) Filed: **May 20, 2016**

(51) **LOC (11) Cl.** **07-01**

(52) **U.S. Cl.**

USPC **D7/510**; D7/511; D7/529; D7/532

(58) **Field of Classification Search**

USPC D7/507, 509, 510, 511, 523, 529, 530,
D7/532, 392.1, 396.2, 608, 599, 598, 397,
D7/607; D9/444, 567, 552, 554, 555,
D9/565, 568, 571; 220/592.16, 592.17,
220/200

CPC A47G 19/22; A47G 19/2205; A45F 3/16;
Y10S 220/903

See application file for complete search history.

(56) **References Cited**

U.S. PATENT DOCUMENTS

D407,270 S * 3/1999 Wilson D7/523
D429,151 S * 8/2000 Cheng D9/434
D556,513 S * 12/2007 Yelland D7/516
D596,040 S * 7/2009 Lepoitevin B65D 1/0223
D9/520
D618,107 S * 6/2010 Zoppas D9/541

D620,755 S * 8/2010 Haskell D7/510
D637,041 S * 5/2011 Haskell D7/510
D648,985 S * 11/2011 Chiu D7/510
D655,967 S * 3/2012 Bodum D7/300.1
D669,736 S * 10/2012 Bodum D7/510
D701,425 S * 3/2014 Pearson D7/510
D723,871 S * 3/2015 Khubani D7/505
D732,895 S * 6/2015 McClellan D7/529
D755,013 S * 5/2016 Khubani D7/507
D767,335 S * 9/2016 Khubani D7/507
D778,112 S * 2/2017 Szymanski D7/510
D784,079 S * 4/2017 Szymanski D7/507
D784,080 S * 4/2017 Szymanski D7/507

* cited by examiner

Primary Examiner — Marianne Pandozzi

Assistant Examiner — Jae Liang

(74) *Attorney, Agent, or Firm* — Dan M. DeLaRosa

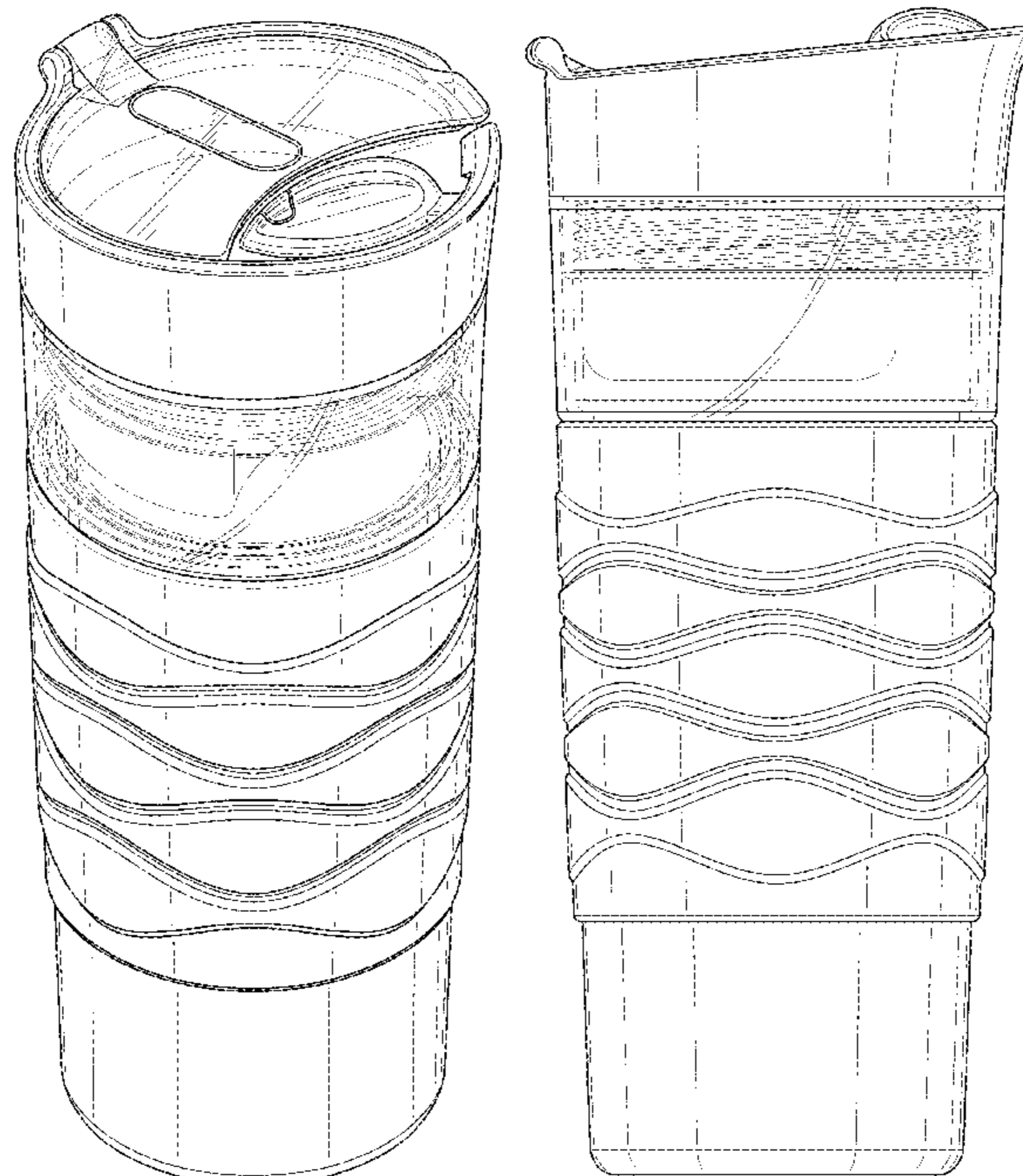
(57) **CLAIM**

The ornamental design for a container, as shown and described.

DESCRIPTION

FIG. 1 is a front perspective view of a container showing my new design;
FIG. 2 is a front elevational view thereof;
FIG. 3 is a rear elevational view thereof;
FIG. 4 is a side elevational view thereof;
FIG. 5 is another side elevational view thereof;
FIG. 6 is a top plan view thereof; and,
FIG. 7 is a bottom plan view thereof.
The broken lines in the drawing depict portions of the container that form no part of the claimed design.

1 Claim, 7 Drawing Sheets



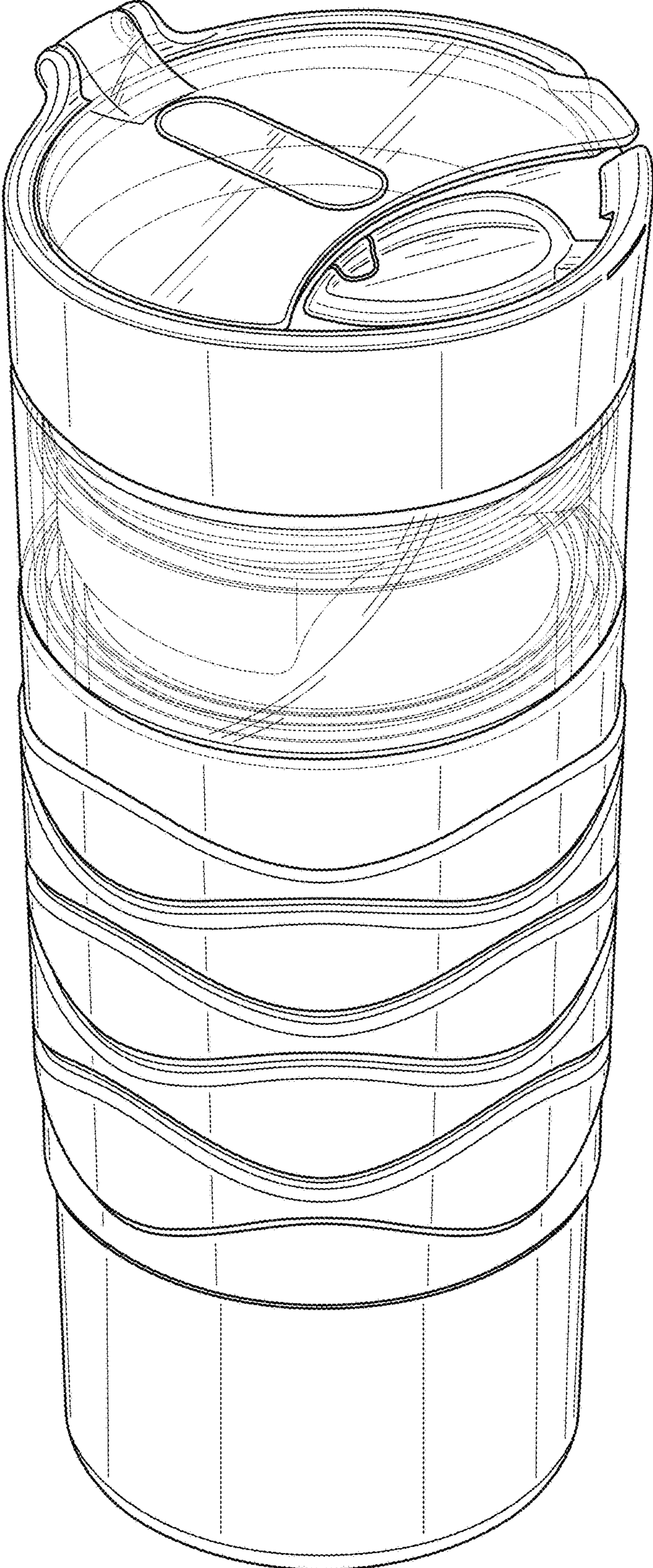


FIG. 1

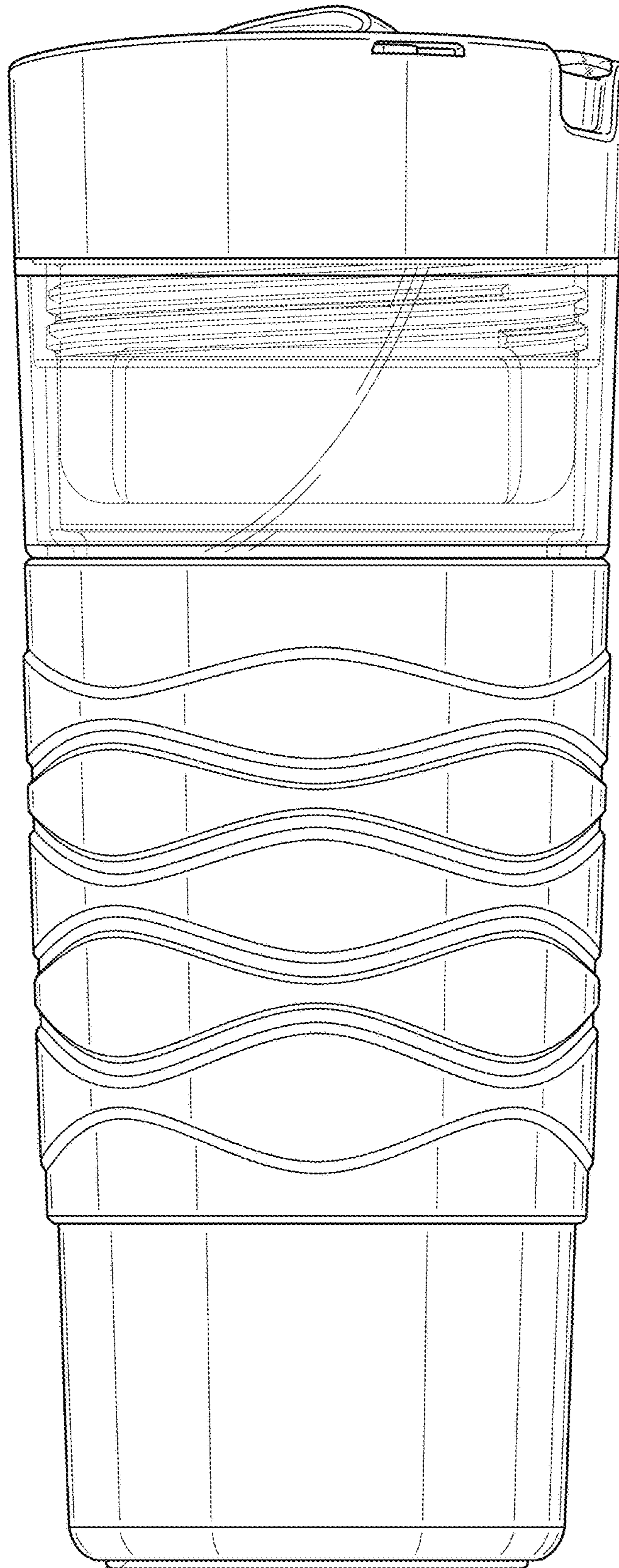


FIG. 2

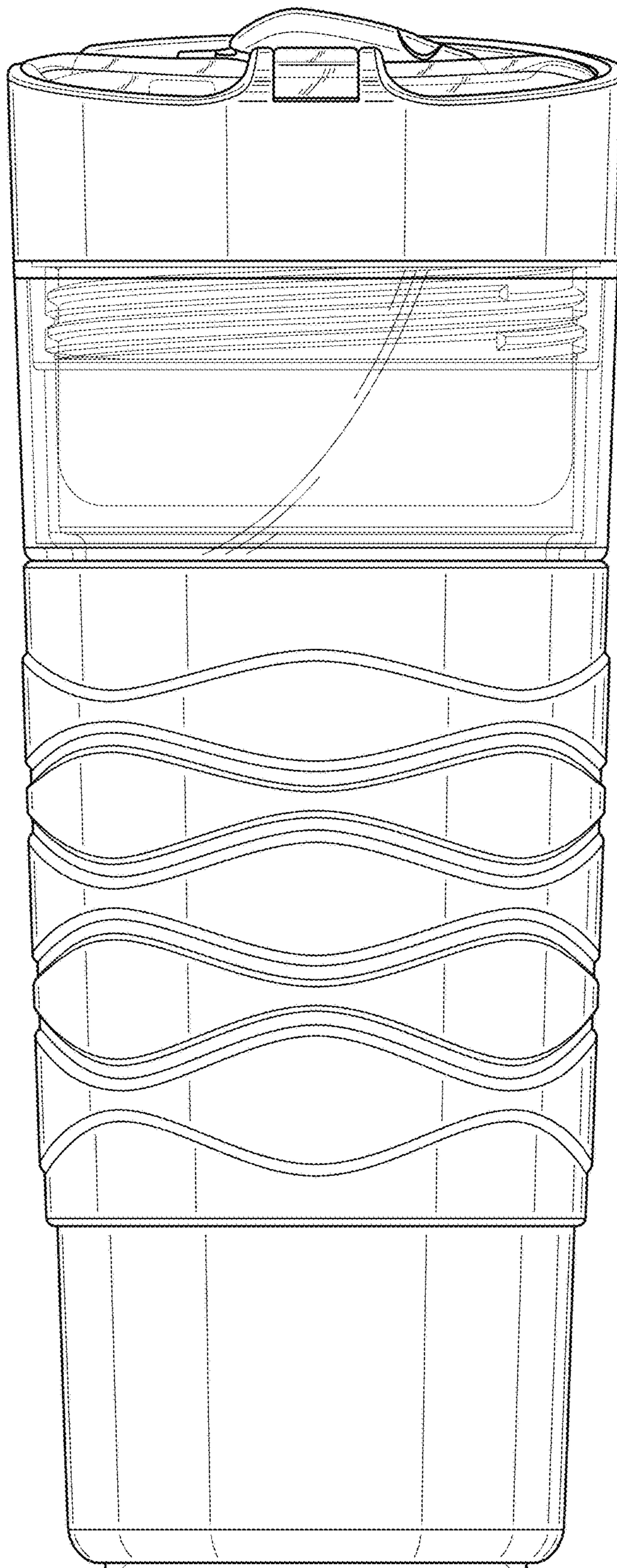


FIG. 3

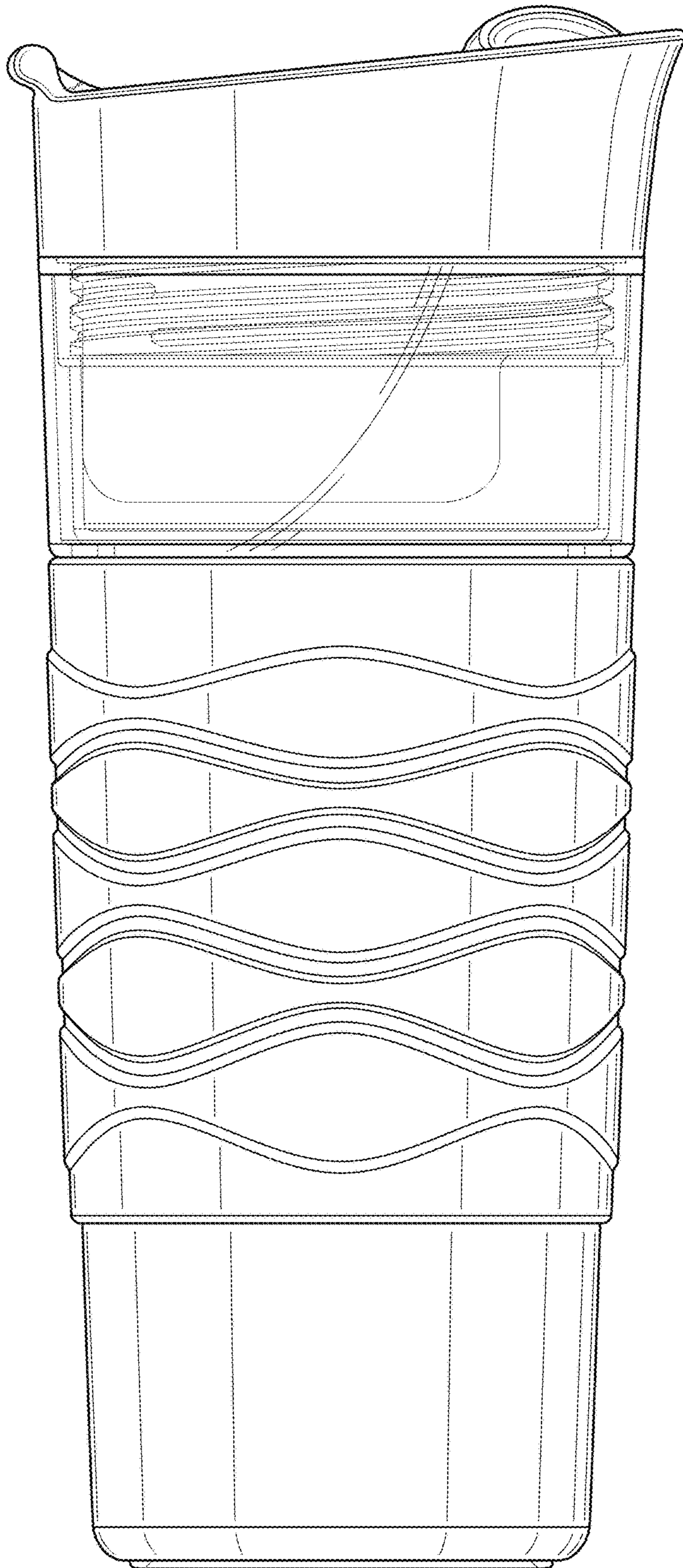


FIG. 4

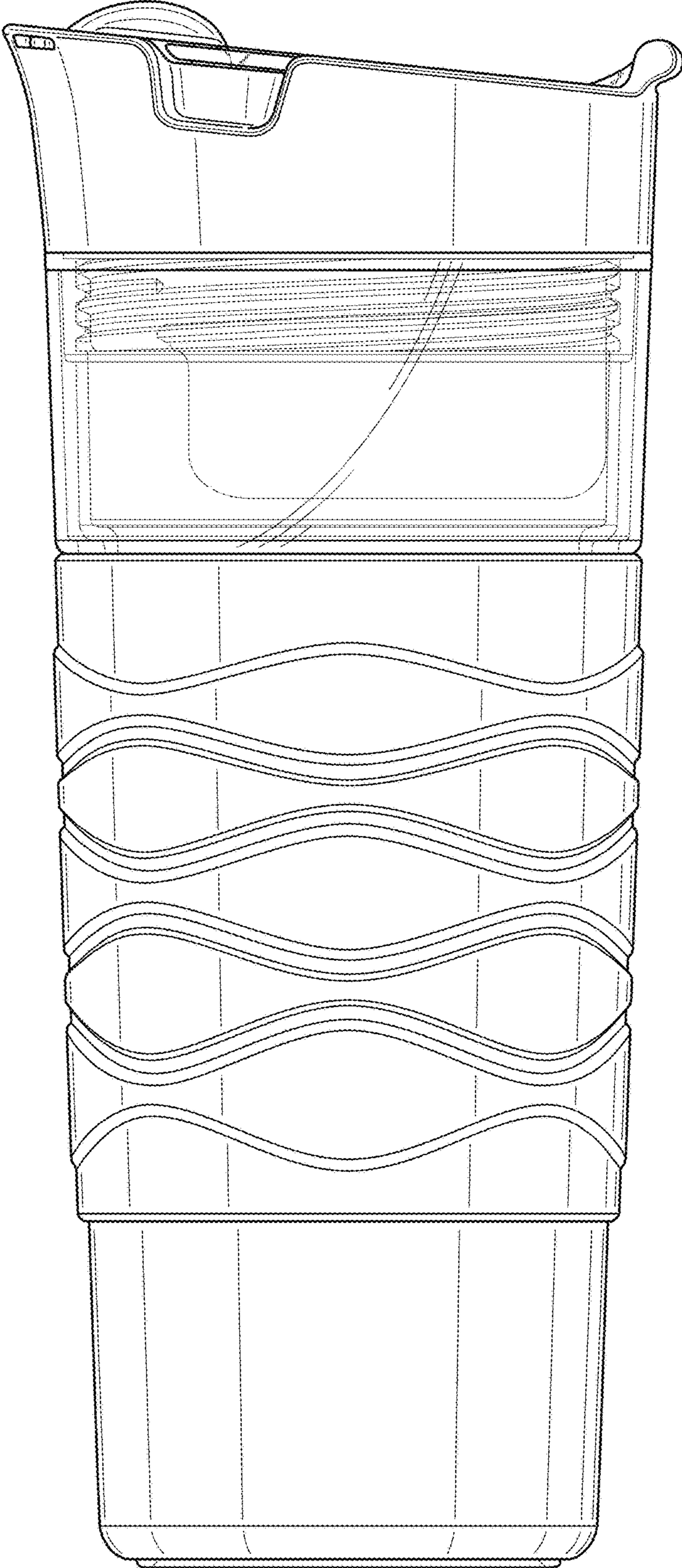


FIG. 5

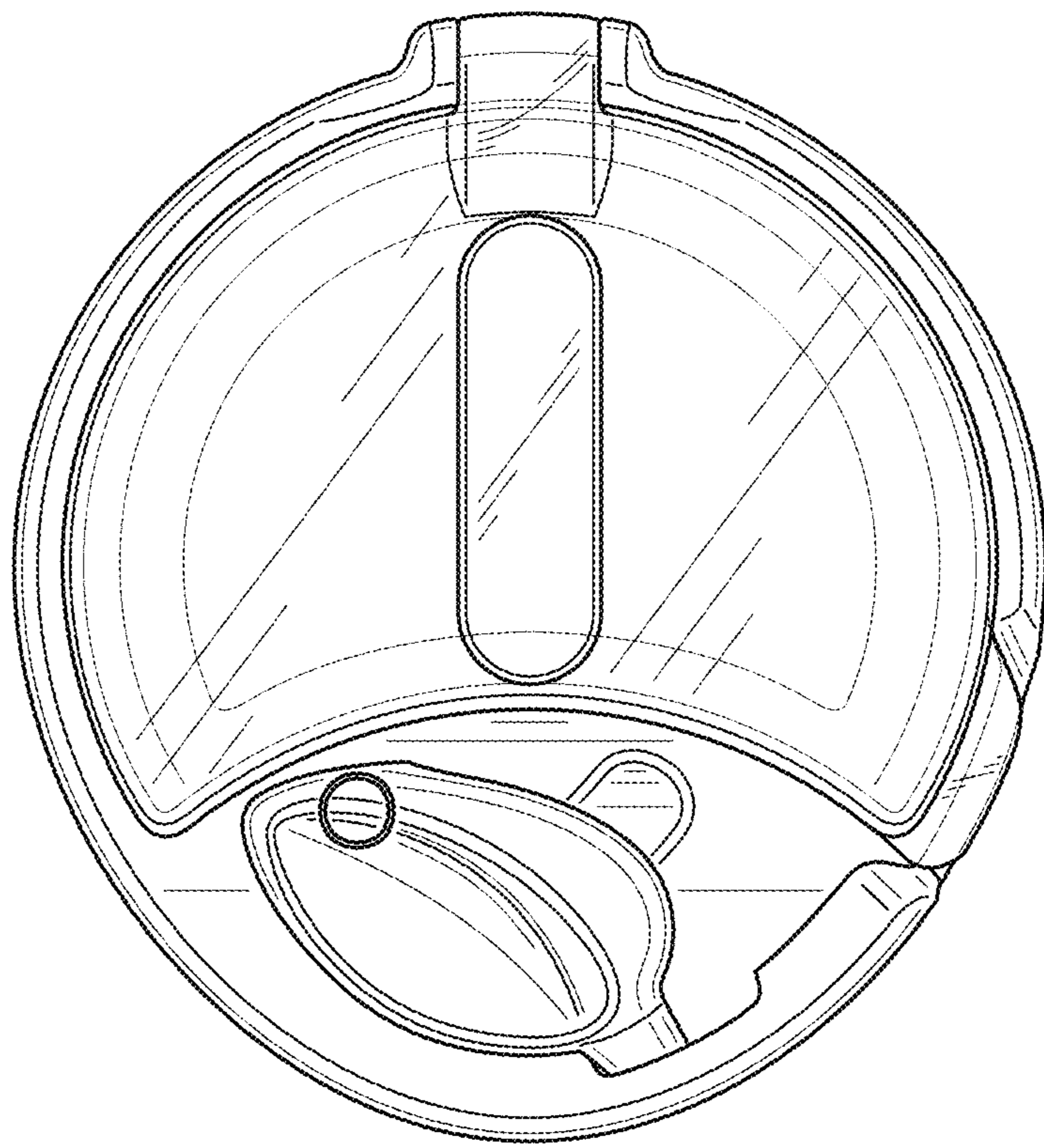


FIG. 6

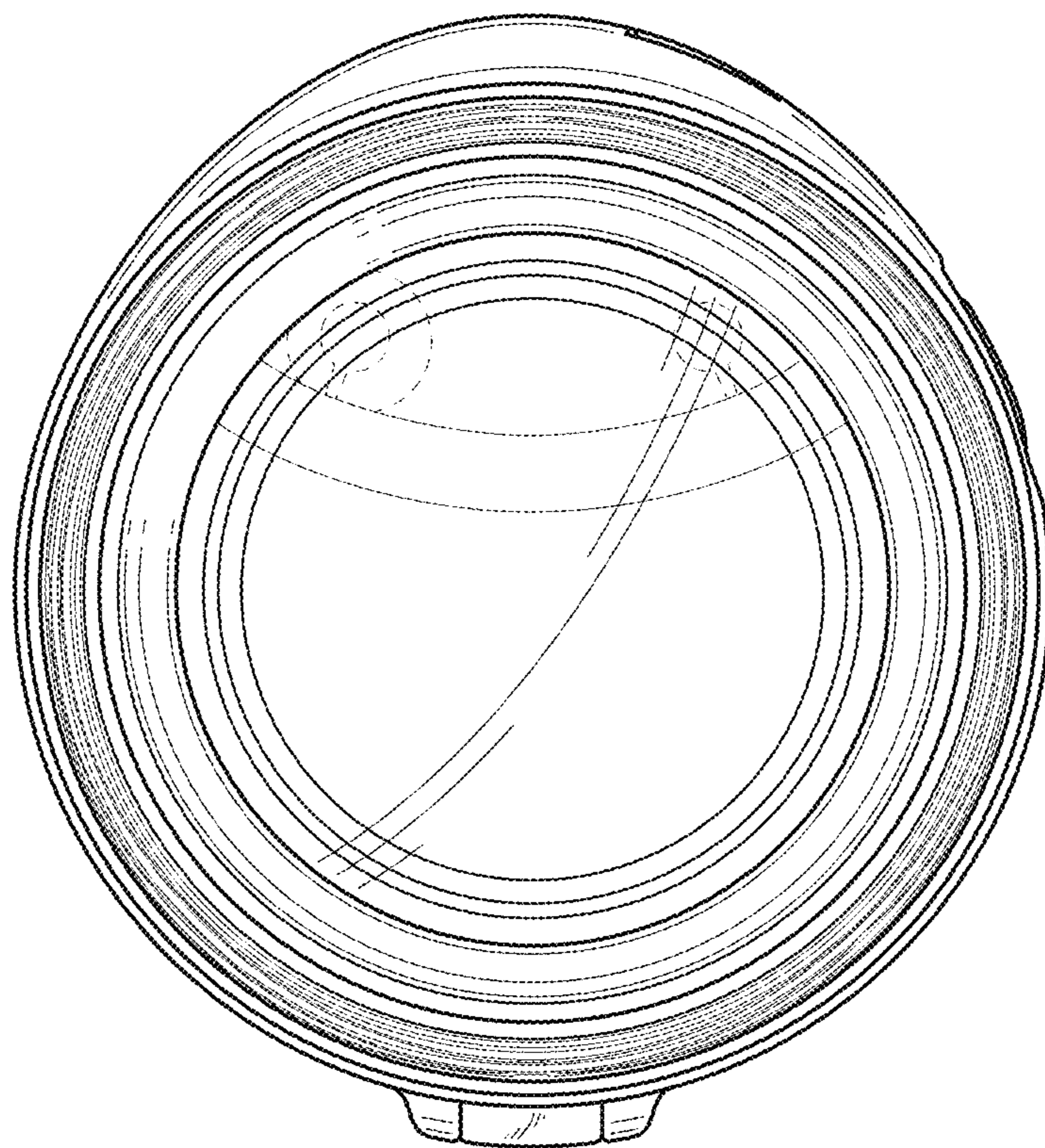


FIG. 7