



US00D807701S

(12) **United States Design Patent**
Bo

(10) **Patent No.:** **US D807,701 S**
(45) **Date of Patent:** **** Jan. 16, 2018**

(54) **COMBINED TUMBLER WITH STAND AND STYLUS**

(71) Applicant: **Anhui Inno-Sign International Co., Ltd.**, Hefei (CN)

(72) Inventor: **Jin Bo**, Hefei (CN)

(73) Assignee: **Anhui Inno-Sign International Co., Ltd.**, Hefei (CN)

(**) Term: **15 Years**

(21) Appl. No.: **29/571,520**

(22) Filed: **Jul. 19, 2016**

(51) **LOC (11) Cl.** **07-01**

(52) **U.S. Cl.**

USPC **D7/507**; D14/411; D14/252; D7/396.2

(58) **Field of Classification Search**

USPC D7/507, 509, 510, 511, 523, 529, 530, D7/531, 532, 533, 536, 608, 598, 300.1, D7/320, 629, 392.1, 396.2, 396.6, 387, D7/667, 537, 524, 525, 601, 213, 619.1; D9/435, 436, 443, 452, 453, 447, 440, D9/503; 220/592.16, 592.17, 705, 220/495.03; 215/381; D3/202; D14/252, 411, 415, 253
CPC A47G 19/22; A47G 19/2205; A47G 19/2211; A47G 19/2266; A47G 19/2272; A45F 3/16; B65D 47/066; B60R 2011/0008; B60R 11/02; B60R 11/0241; B60R 11/0258

See application file for complete search history.

(56) **References Cited**

U.S. PATENT DOCUMENTS

D265,974 S * 8/1982 Gombert D7/511
D286,604 S * 11/1986 Bierlein D11/152
5,745,565 A * 4/1998 Wakefield B60N 3/103
224/926

D407,408 S * 3/1999 Hoff D14/253
D416,764 S * 11/1999 Gagne D7/619.1
D516,393 S * 3/2006 Wickenhauser D7/619.1
D612,747 S * 3/2010 Ball D9/772
D636,397 S * 4/2011 Green D14/447
D645,463 S * 9/2011 Kao D14/253
D674,338 S * 1/2013 Au Yeung D13/108
D689,863 S * 9/2013 Koenig D14/411
D725,445 S * 3/2015 Braithwaite D7/601
9,010,953 B1 * 4/2015 Wells F21V 33/0056
362/101
D779,272 S * 2/2017 Lee D7/510
D784,992 S * 4/2017 Shih D14/411

(Continued)

Primary Examiner — Marianne Pandozzi

Assistant Examiner — Jae Liang

(74) *Attorney, Agent, or Firm* — Richards Patent Law P.C.

(57) **CLAIM**

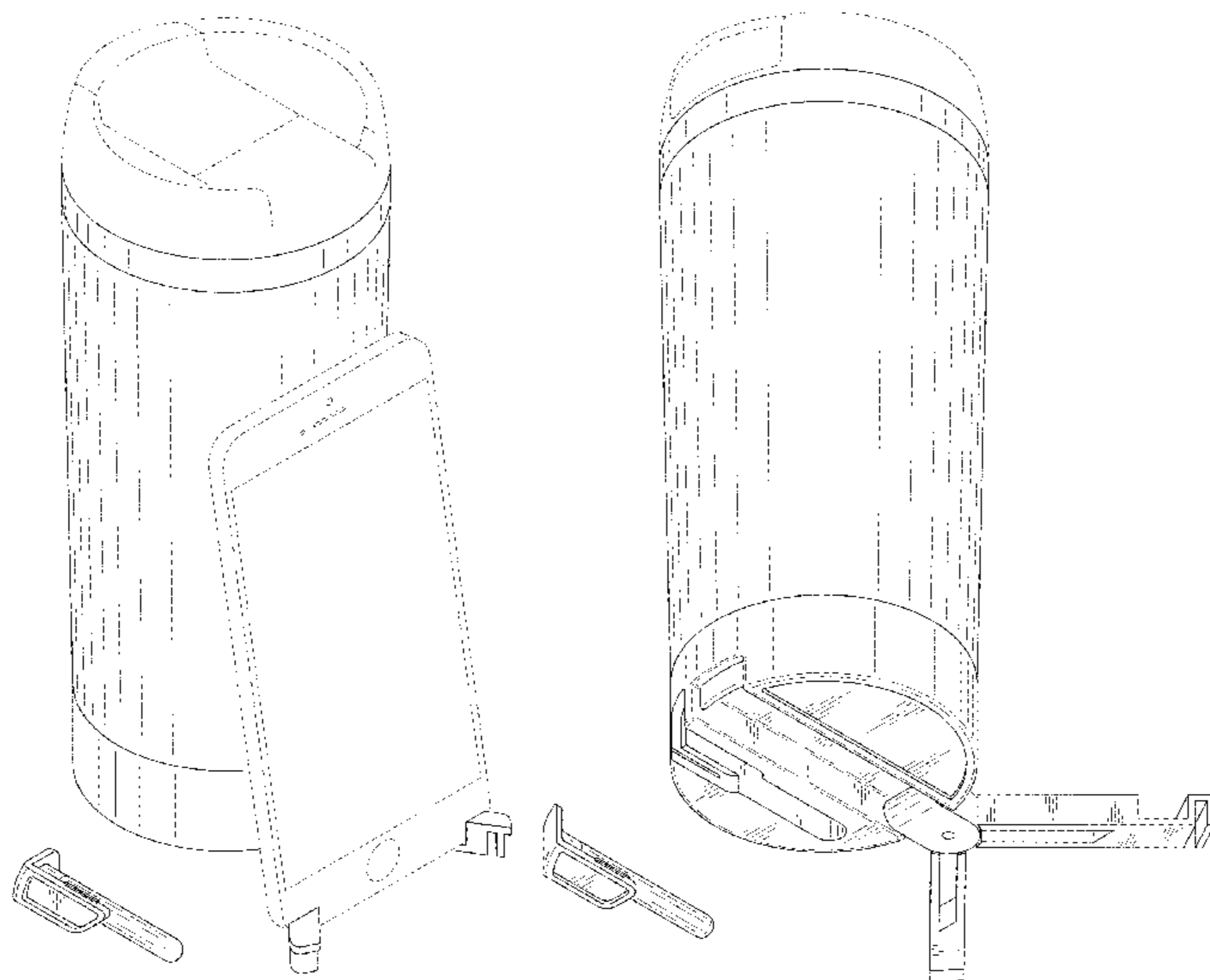
The ornamental design for a combined tumbler with stand and stylus, as shown and described.

DESCRIPTION

FIG. 1 is an environmental top perspective view of a combined tumbler with stand and stylus in its expanded position showing my new design; FIG. 2 is a bottom perspective view of FIG. 1; FIG. 3 is a bottom perspective view thereof in its closed position; FIG. 4 is a front view thereof; FIG. 5 is a rear view thereof; FIG. 6 is a left side view thereof; FIG. 7 is a right side view thereof; FIG. 8 is a top view thereof; and, FIG. 9 is a bottom view thereof.

The broken lines in the drawing depict environmental subject matter and portions of the combined tumbler with stand and stylus only and form no part of the claimed design.

1 Claim, 8 Drawing Sheets



(56)

References Cited

U.S. PATENT DOCUMENTS

D785,625	S *	5/2017	Shih	D14/411
D786,234	S *	5/2017	Bo	D14/252
D786,871	S *	5/2017	Park	D14/411
9,682,738	B1 *	6/2017	Silva	H04B 1/3888
2009/0120946	A1 *	5/2009	Hung	B65D 47/305
					220/707
2009/0266737	A1 *	10/2009	Cole	A47G 19/2272
					206/499
2016/0124210	A1 *	5/2016	Ross	G02B 23/16
					359/399

* cited by examiner

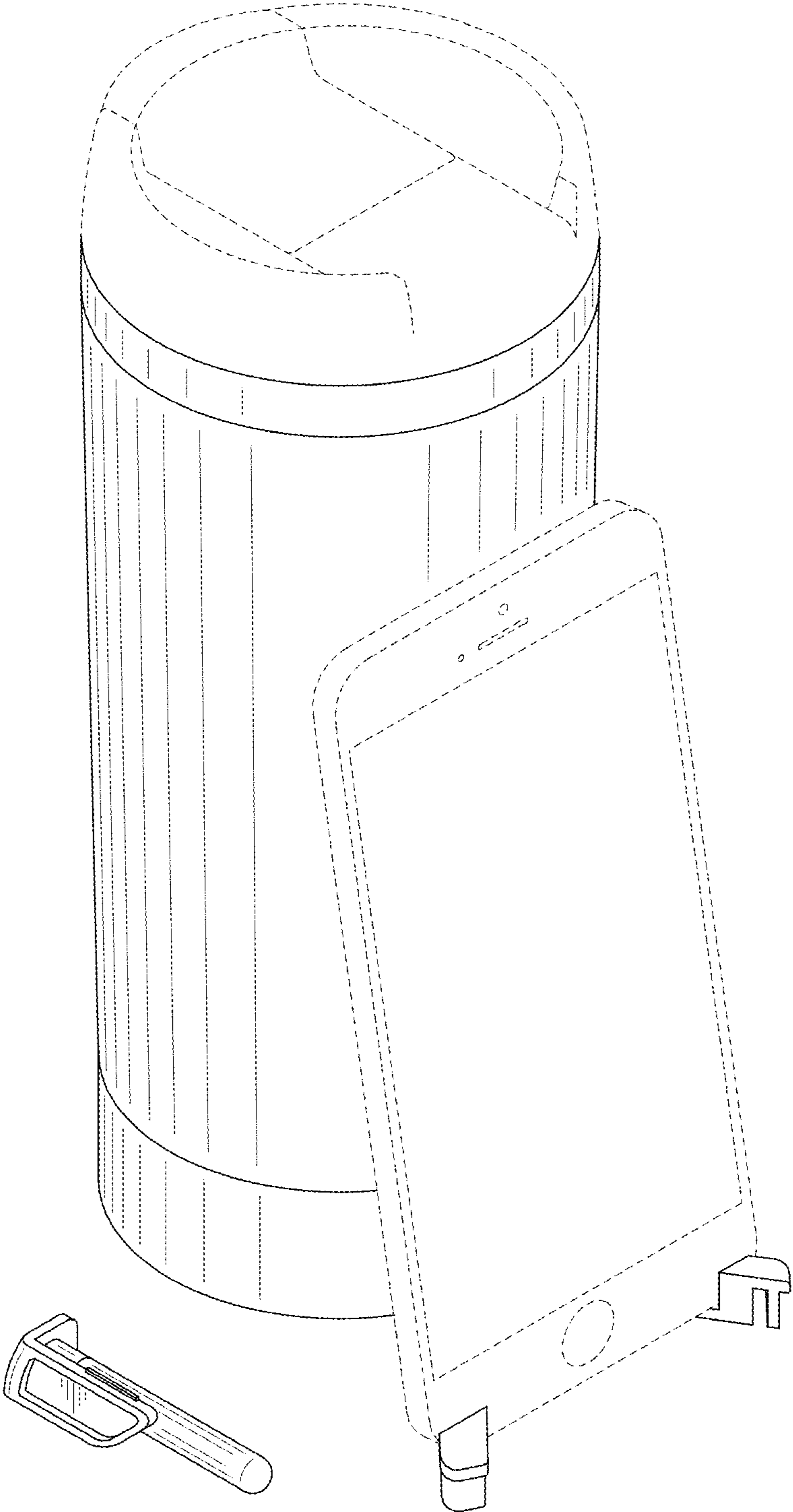


FIG. 1

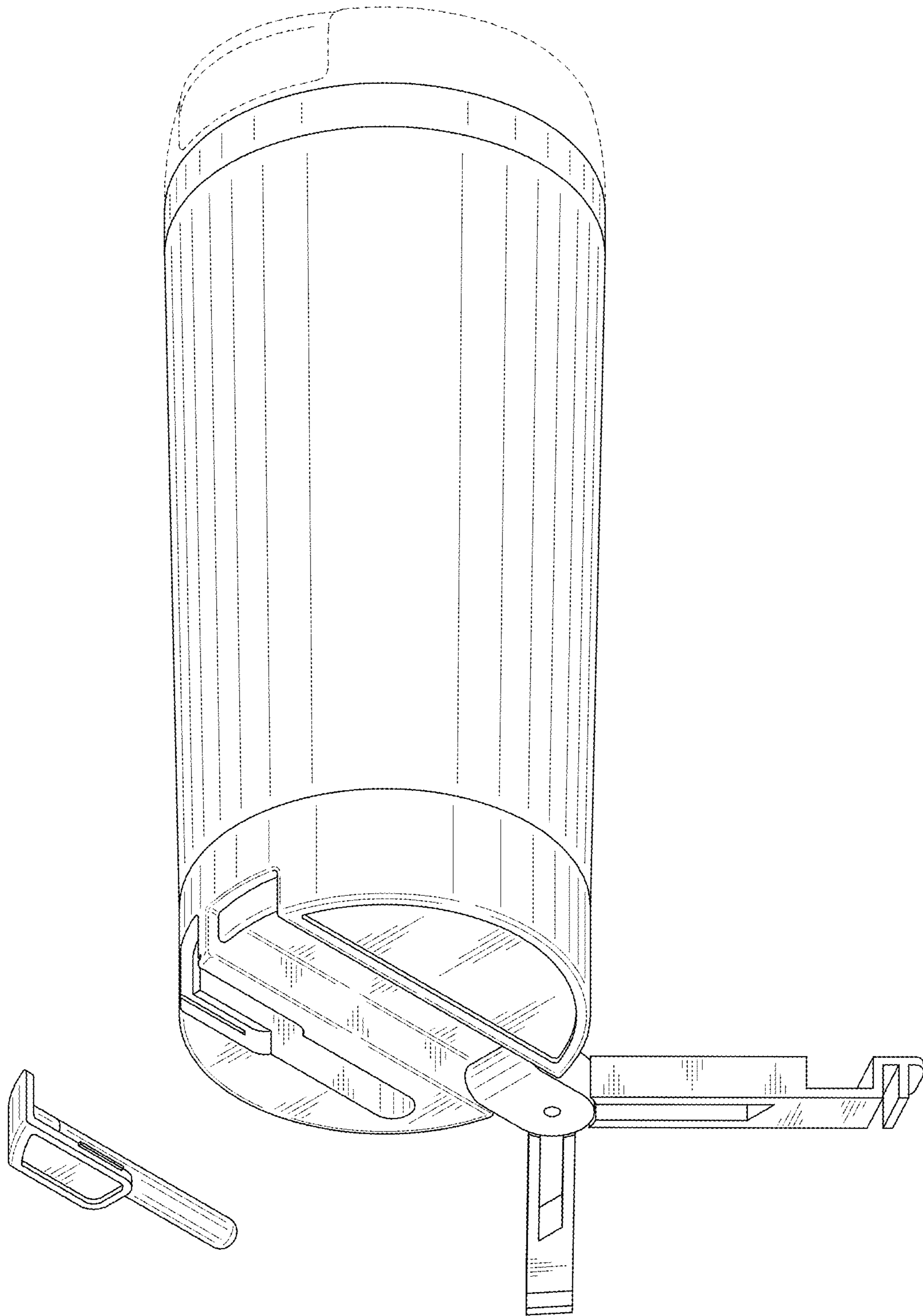


FIG. 2

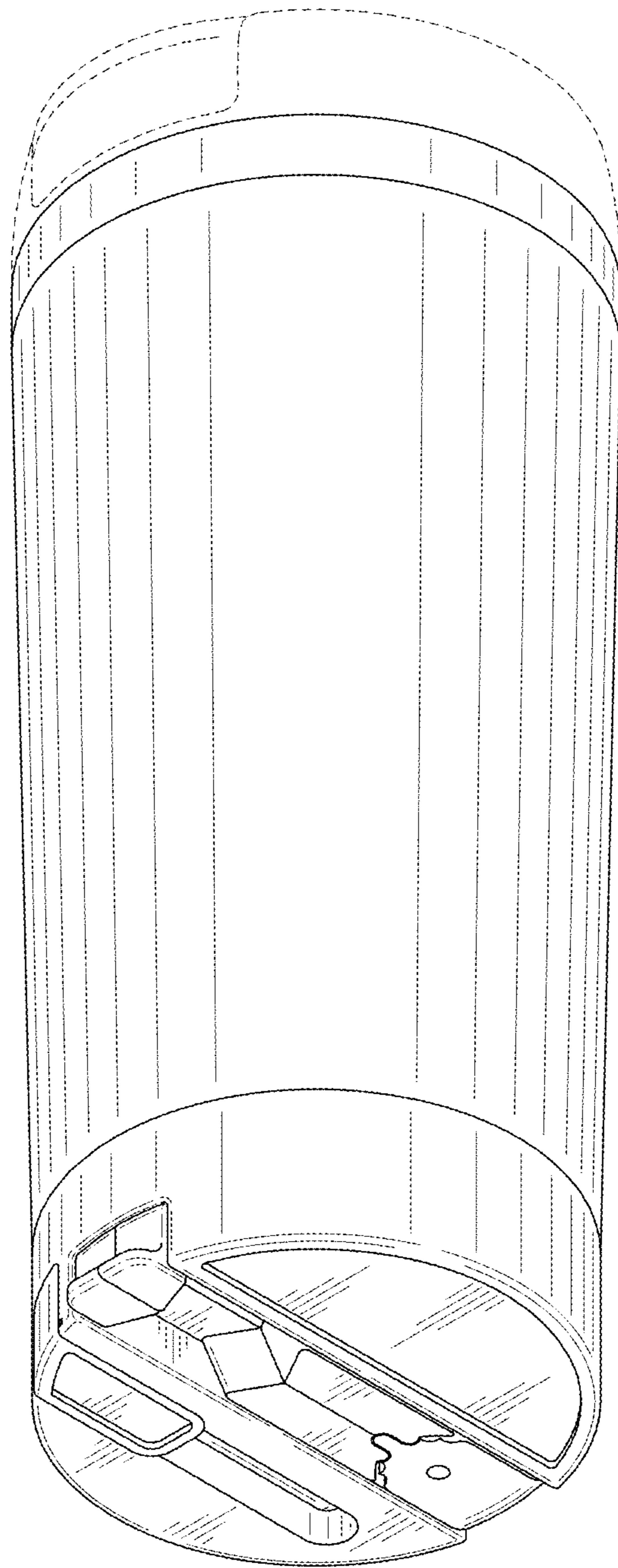


FIG. 3

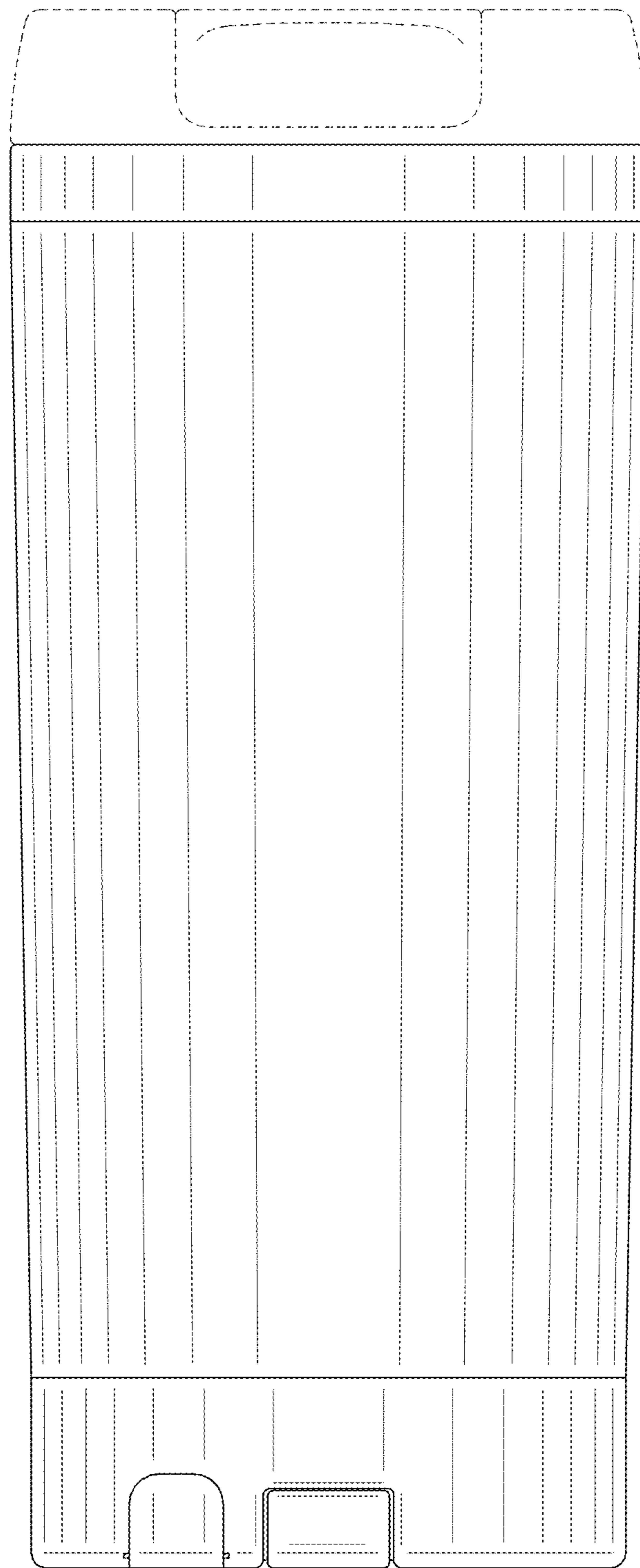


FIG. 4

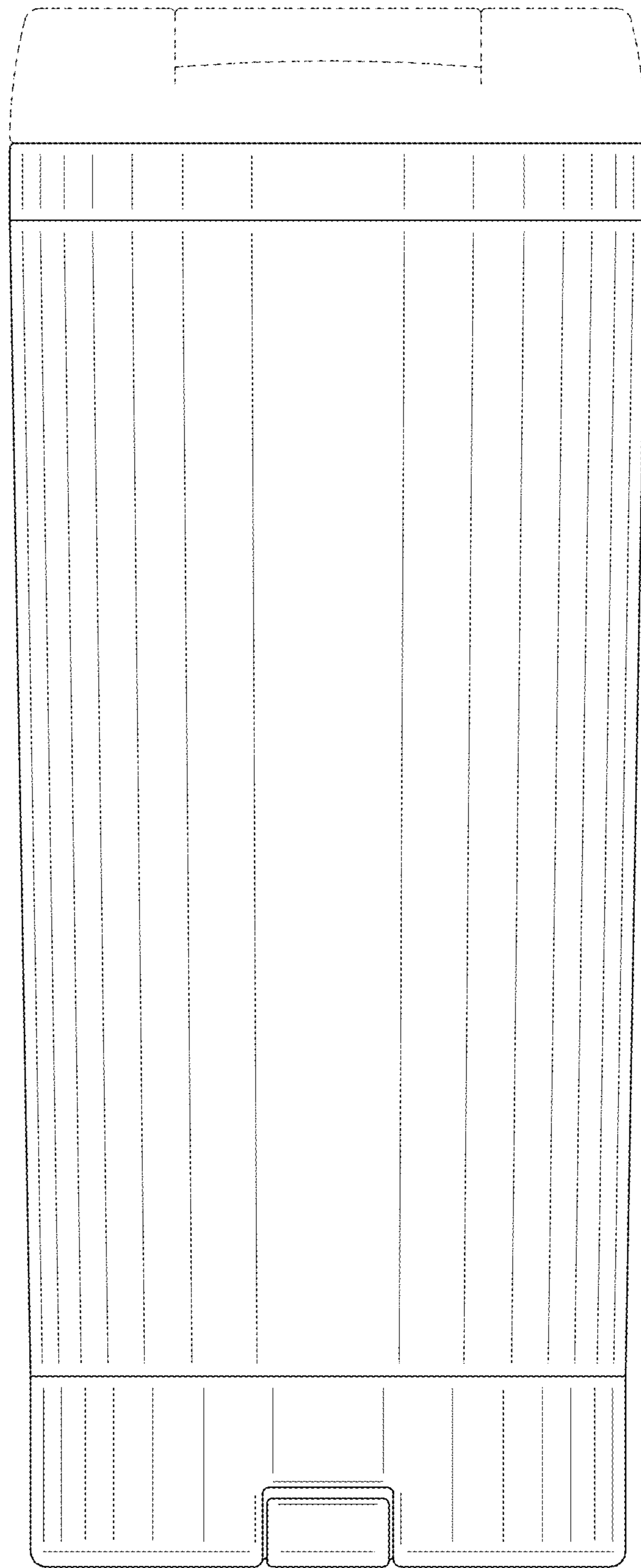


FIG. 5

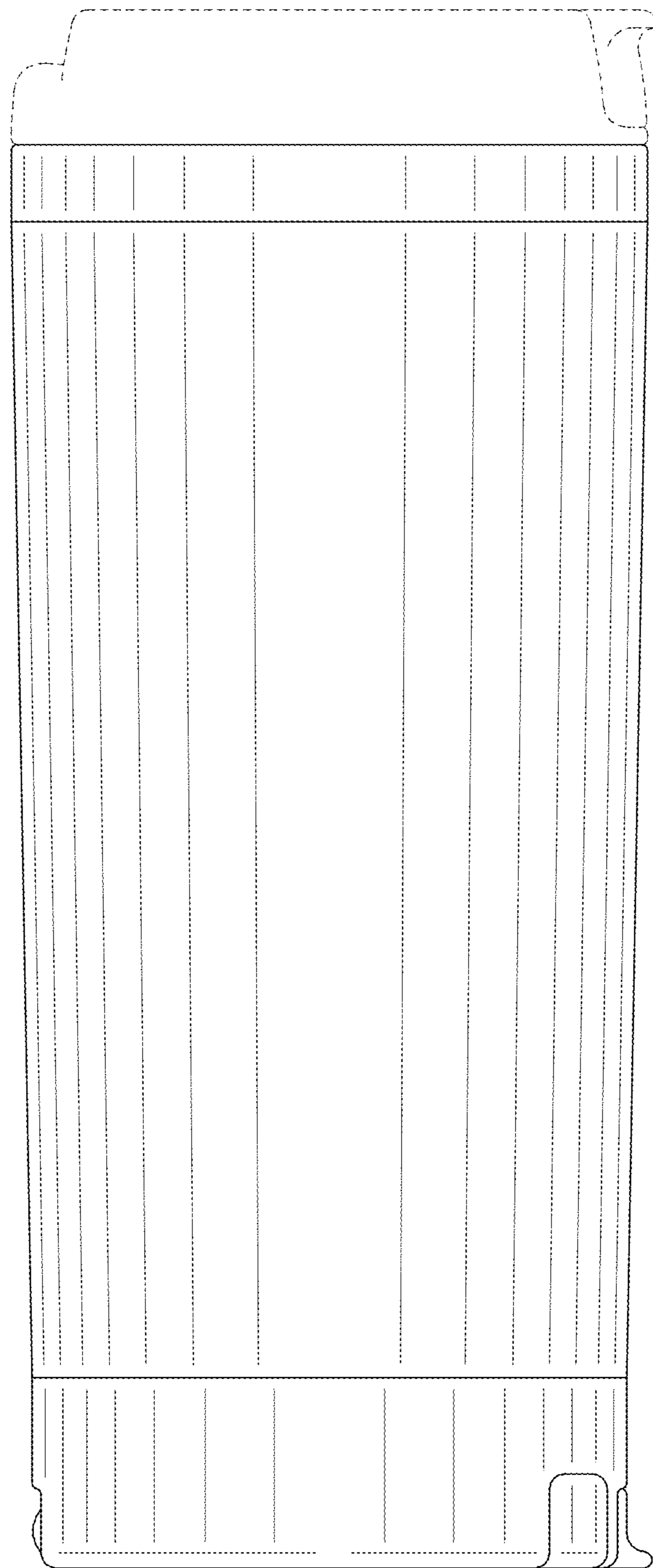


FIG. 6

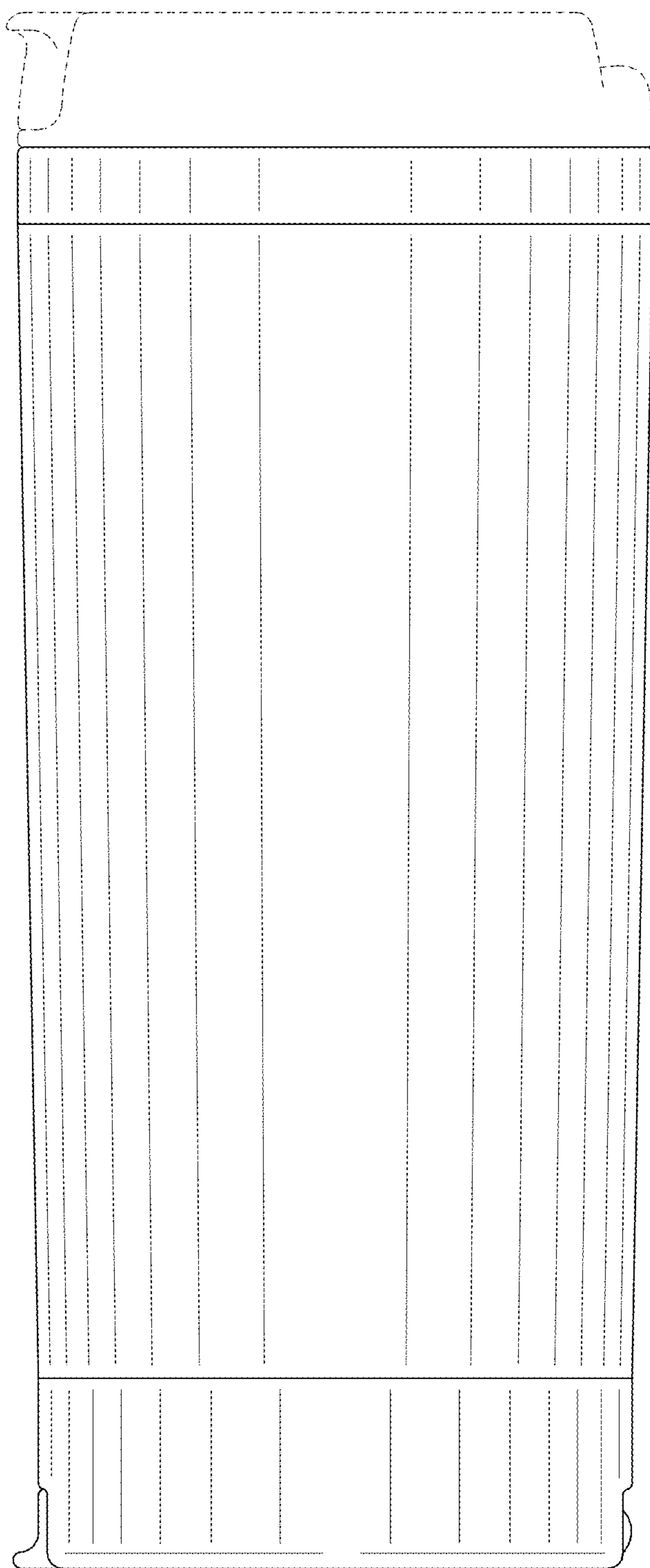


FIG. 7

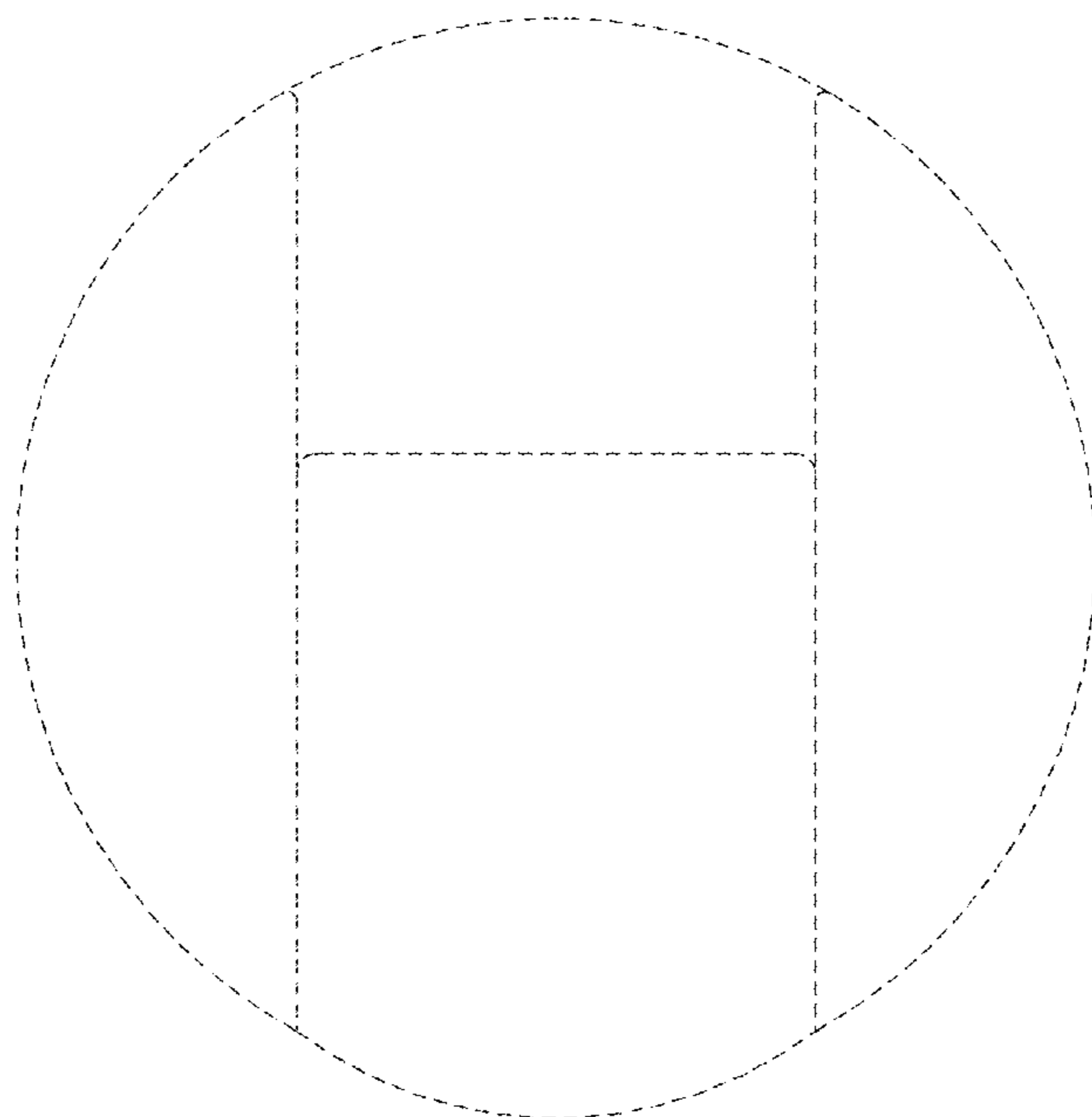


FIG. 8

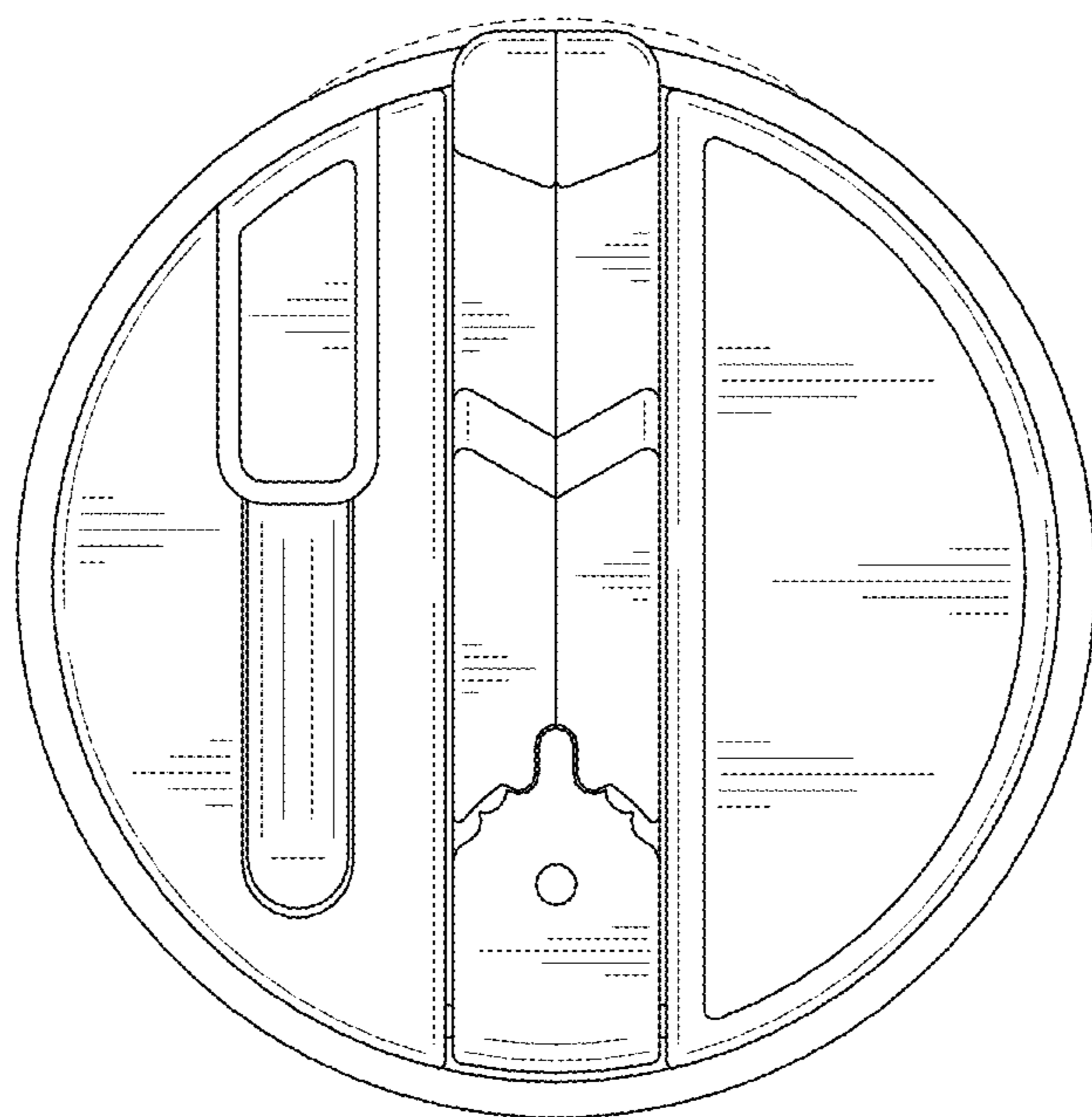


FIG. 9