



US00D807699S

(12) **United States Design Patent** (10) **Patent No.:** **US D807,699 S**
Nilssen (45) **Date of Patent:** **** Jan. 16, 2018**

(54) **RADIANT TILE**

(56) **References Cited**

(71) Applicant: **Hestan Commercial Corporation,**
Anaheim, CA (US)
(72) Inventor: **Ray Nilssen,** Fairhope, AL (US)
(73) Assignee: **Hestan Commercial Corporation,**
Anaheim, CA (US)
(**) Term: **15 Years**
(21) Appl. No.: **29/555,908**
(22) Filed: **Feb. 25, 2016**
(51) **LOC (11) Cl.** **07-02**
(52) **U.S. Cl.**
USPC **D7/409**
(58) **Field of Classification Search**
USPC D3/313; D7/323, 332, 335-337,
D7/354-357, 359-364, 387-388, 391,
D7/402, 407-409, 600.1, 701, 703;
D9/756; D12/425; D24/230
CPC A21B 2/00; A21B 3/00; A21B 3/13; A21B
3/15; A21B 5/00; A21B 5/02; A45C
11/20; A23N 12/06; A23N 12/08; A23N
12/10; A47J 37/00; A47J 37/01; A47J
37/04; A47J 37/041; A47J 37/042; A47J
37/06; A47J 37/0688; A47J 37/0694;
A47J 37/07; A47J 37/0704; A47J 37/10;
A47J 39/006; A47J 47/20; A47J 2037/00;
A47J 2037/06; A47J 2037/0611; A47J
2037/07; A47J 2037/0786; A47J
2037/0795; B65D 71/70; B65D 85/305;
F24C 15/10; F24C 15/12; F24C 15/14;
F24C 15/16; F24C 15/164; F24C 15/18
See application file for complete search history.

U.S. PATENT DOCUMENTS

2,619,251	A *	11/1952	Schmidt	B65D 85/305 220/513
D330,513	S *	10/1992	Gilchrist	D3/284
5,277,328	A *	1/1994	Tocco	A45C 11/20 206/315.3
D407,243	S *	3/1999	Thoesen	D12/425
5,979,646	A *	11/1999	Strachan	B65D 71/70 206/217
D515,943	S *	2/2006	Hamblin	D24/230
D538,538	S *	3/2007	Espinosa	D3/313
D653,767	S *	2/2012	Lovshe	D24/230
D695,078	S *	12/2013	Hertaus	D7/600.1
D696,896	S *	1/2014	Weskamp	D7/354
D705,618	S *	5/2014	Reid, Jr.	D7/701
D744,777	S *	12/2015	Wang	D7/354
2014/0017371	A1 *	1/2014	Gattineri	A47J 37/01 426/389

* cited by examiner

Primary Examiner — Ricky Pham
(74) *Attorney, Agent, or Firm* — Akerman LLP

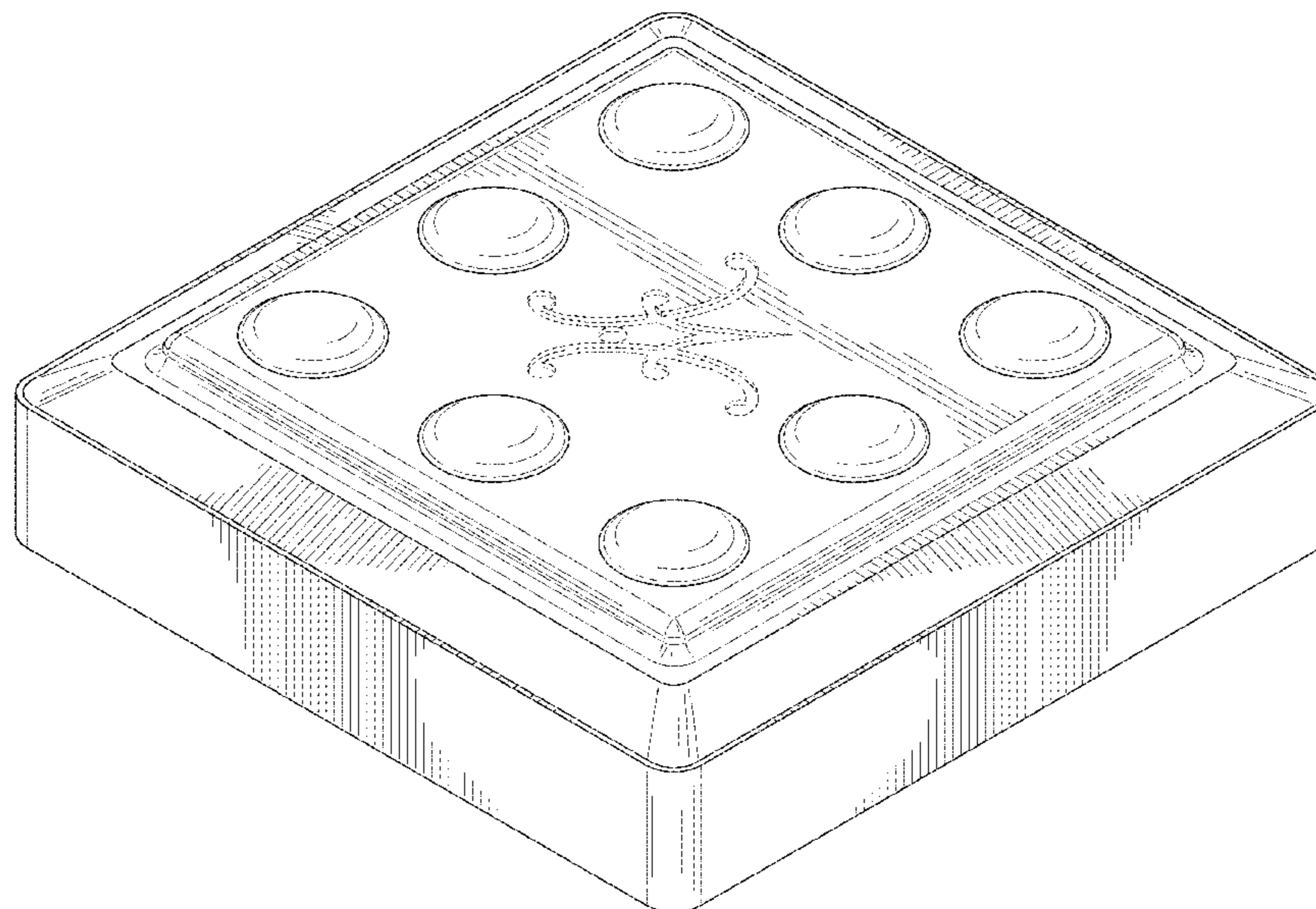
(57) **CLAIM**

The ornamental design for a radiant tile, as shown and described.

DESCRIPTION

FIG. 1 is a perspective view of the “radiant tile”, showing my new design;
FIG. 2 is a top view thereof;
FIG. 3 is a bottom view thereof;
FIG. 4 is a left side view thereof;
FIG. 5 is a right side view thereof;
FIG. 6 is a back view thereof; and,
FIG. 7 is a front view thereof.
The broken lines in the figures are for illustrative purposes only and form no part of the claimed design.

1 Claim, 5 Drawing Sheets



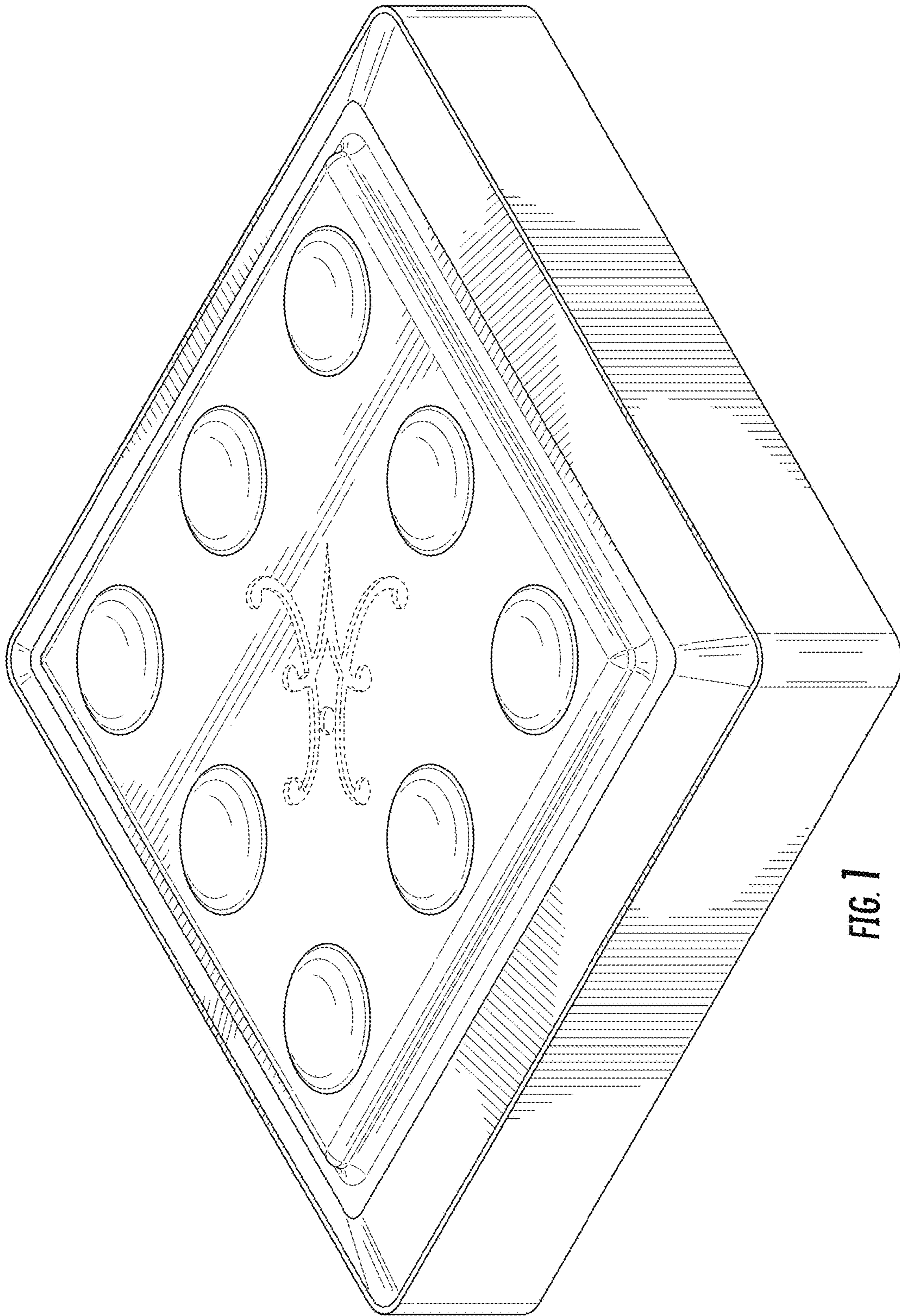


FIG. 1

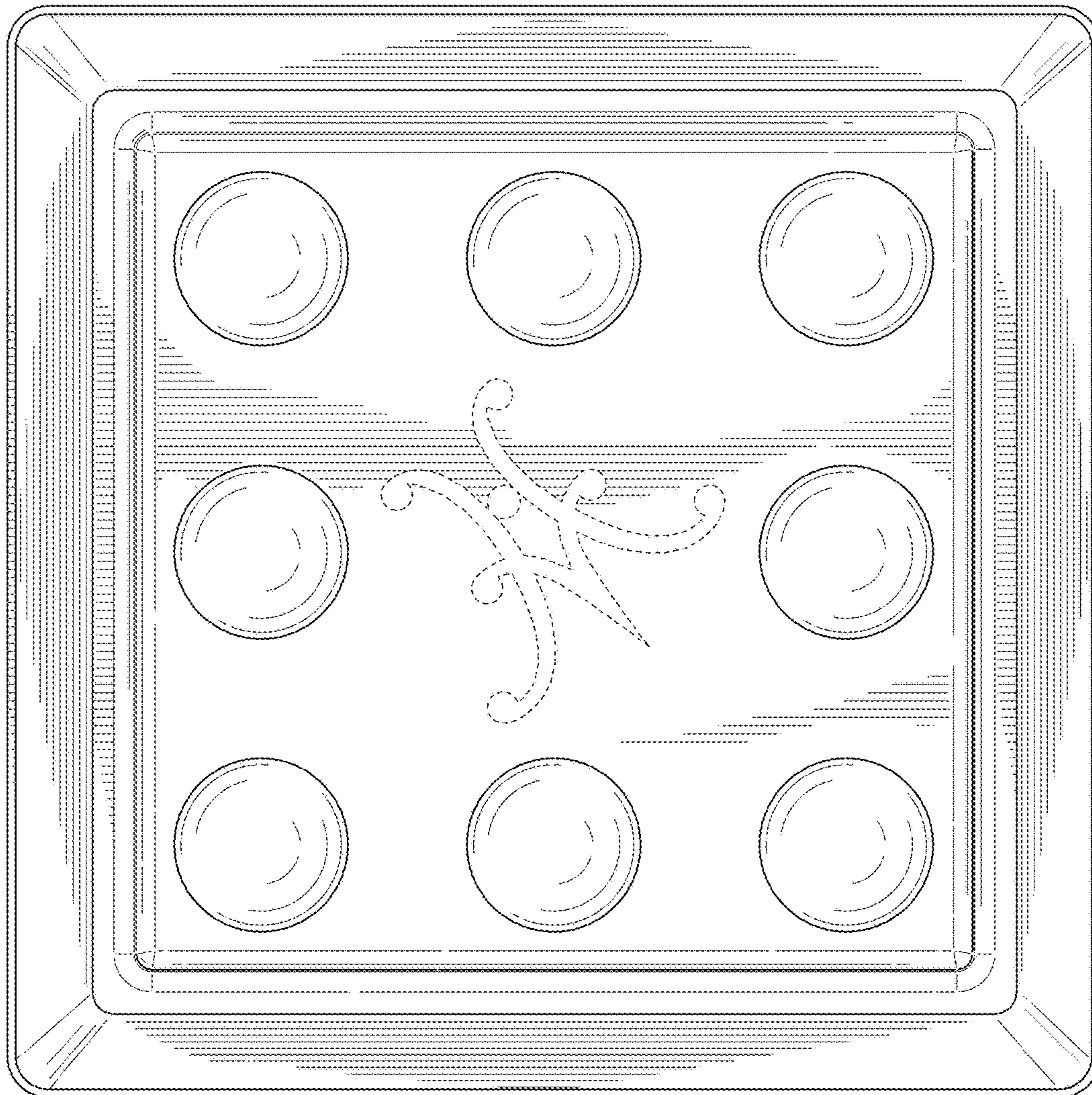


FIG. 2

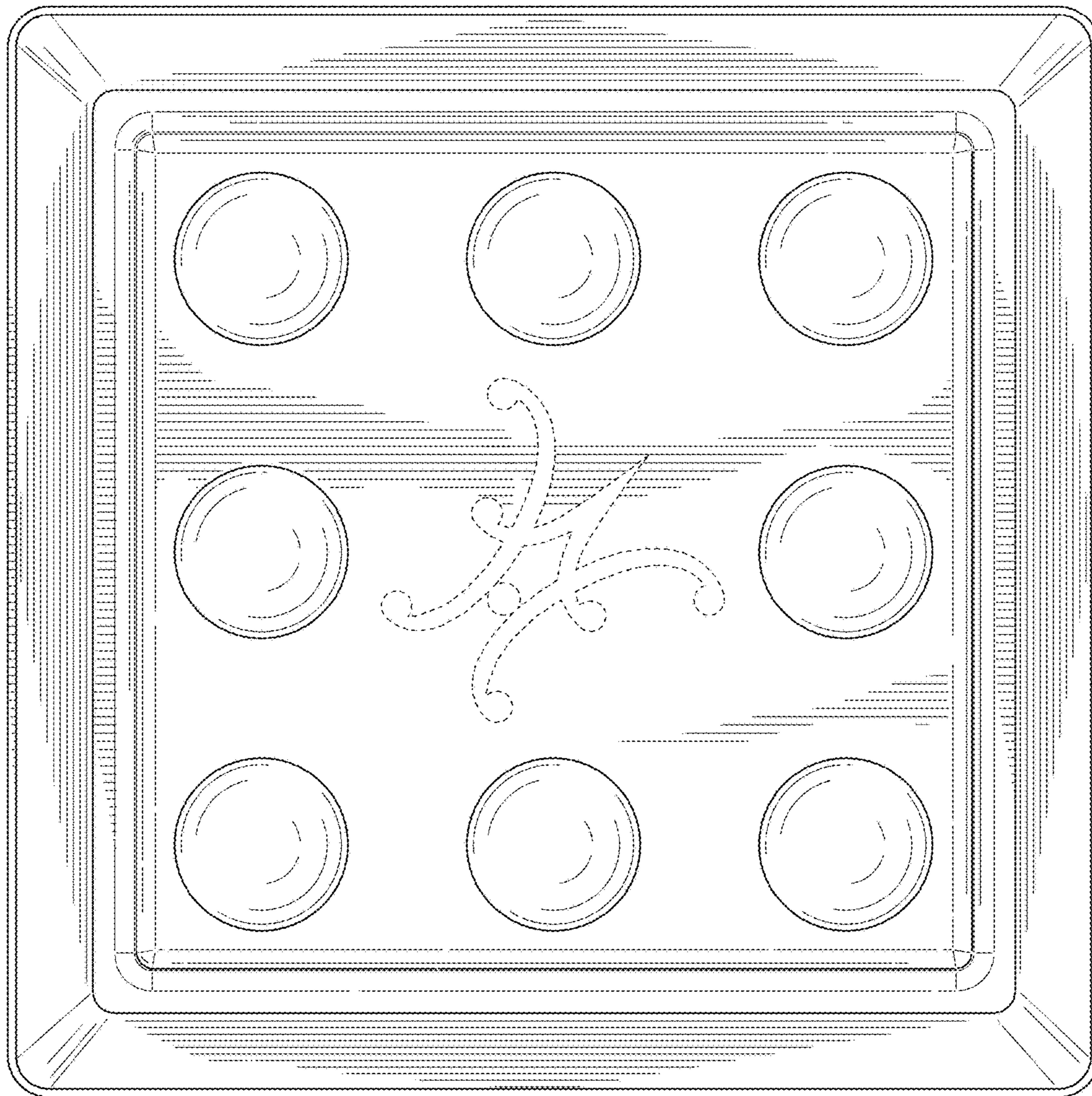


FIG. 3

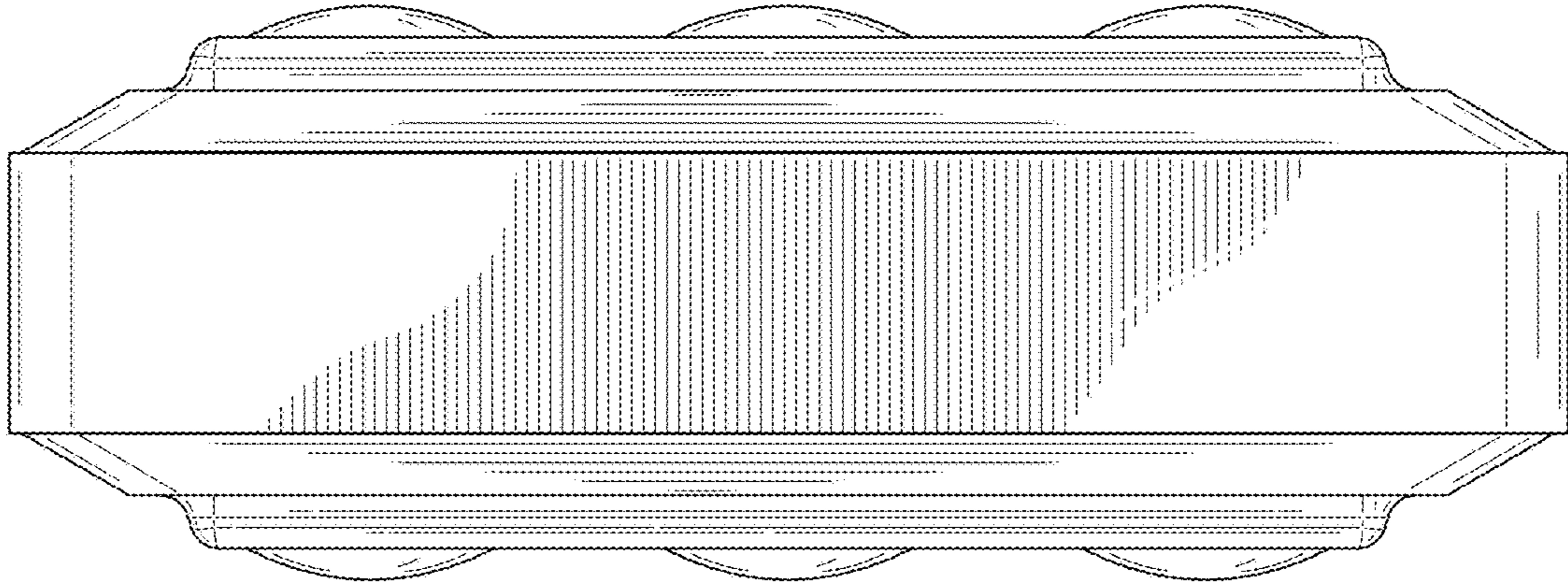


FIG. 4

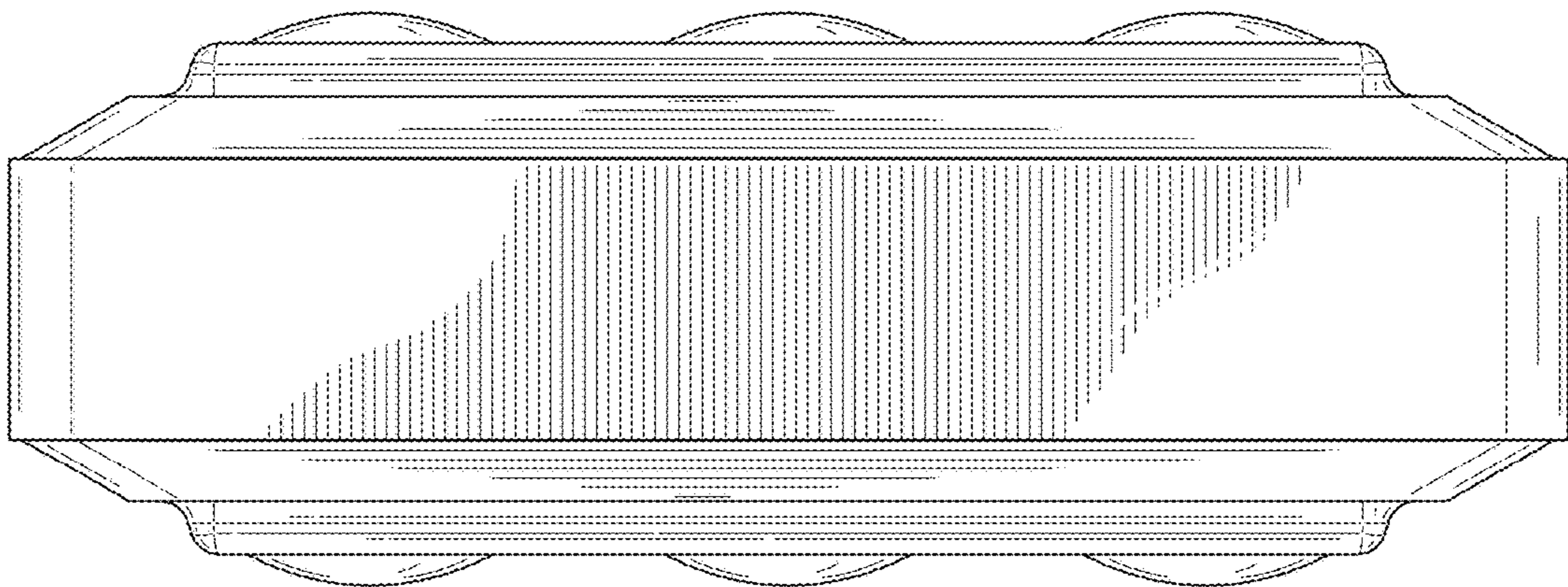


FIG. 5

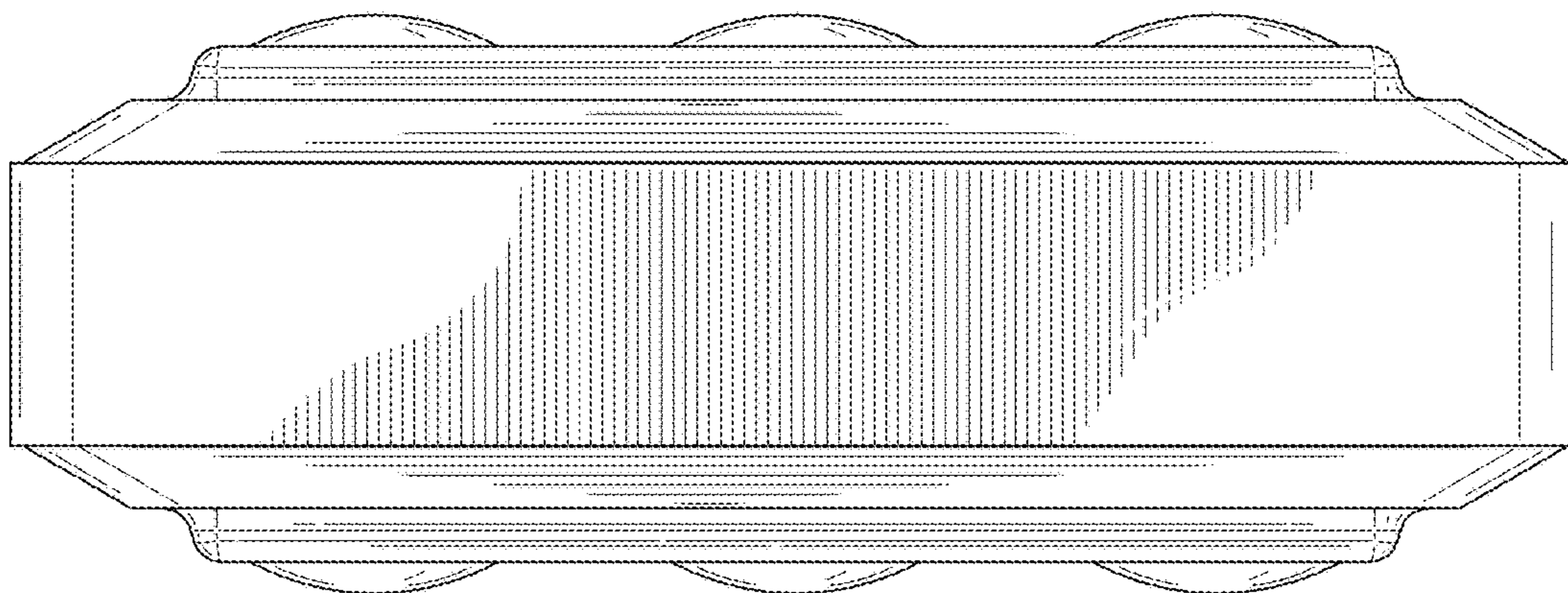


FIG. 6

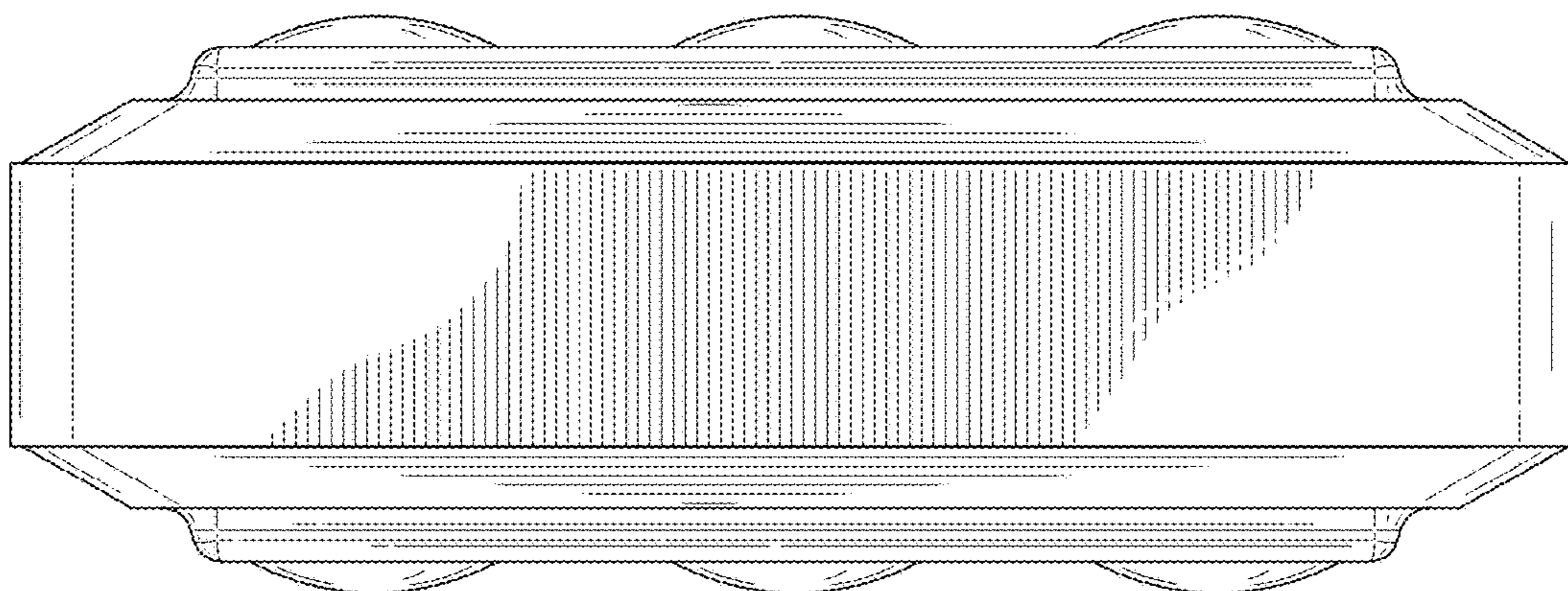


FIG. 7