



US00D807697S

(12) **United States Design Patent**
Jeon et al.

(10) **Patent No.:** **US D807,697 S**
(45) **Date of Patent:** **** Jan. 16, 2018**

(54) **MICROWAVE**

(71) Applicant: **SAMSUNG ELECTRONICS CO., LTD.**, Suwon-si (KR)

(72) Inventors: **Sei-Il Jeon**, Gimpo-si (KR); **Daejong Kim**, Seoul (KR)

(73) Assignee: **SAMSUNG ELECTRONICS CO., LTD.**, Gyeonggi-Do (KR)

(**) Term: **15 Years**

(21) Appl. No.: **29/555,360**

(22) Filed: **Feb. 21, 2016**

(30) **Foreign Application Priority Data**

Aug. 21, 2015 (KR) 30-2015-0042234

(51) **LOC (11) Cl.** **07-02**

(52) **U.S. Cl.**
USPC **D7/405**

(58) **Field of Classification Search**
USPC D7/350.1, 350.3-350.4, 351, 402, 405, D7/406, 332, 334
CPC A47J 37/00; A47J 37/0763; A47J 36/36; A21B 1/52; A21B 1/00; H05B 6/6426; H05B 6/6414; F24C 15/08
See application file for complete search history.

(56) **References Cited**

U.S. PATENT DOCUMENTS

D704,498 S * 5/2014 Kim D7/351
D707,074 S * 6/2014 Shin D7/351

D741,639 S * 10/2015 Kim D7/351
D773,233 S * 12/2016 Suh D7/351
D788,515 S * 6/2017 Kim D7/350.1

* cited by examiner

Primary Examiner — Ruth McInroy

(74) *Attorney, Agent, or Firm* — Cantor Colburn LLP

(57) **CLAIM**

The ornamental design for a microwave, as shown and described.

DESCRIPTION

FIG. 1 is a perspective view of a microwave, showing our new design;
FIG. 2 is a front view thereof;
FIG. 3 is a rear view thereof;
FIG. 4 is a side view thereof;
FIG. 5 is another side view thereof;
FIG. 6 is a top view thereof;
FIG. 7 is a bottom view thereof; and,
FIG. 8 is an enlarged view of the encircled portion 8 of FIG. 2.

The broken lines illustrating portions of the microwave form no part of the claimed design.

The dot-dash broken lines encircling enlargement portions of the design form no part of the claimed design.

1 Claim, 6 Drawing Sheets

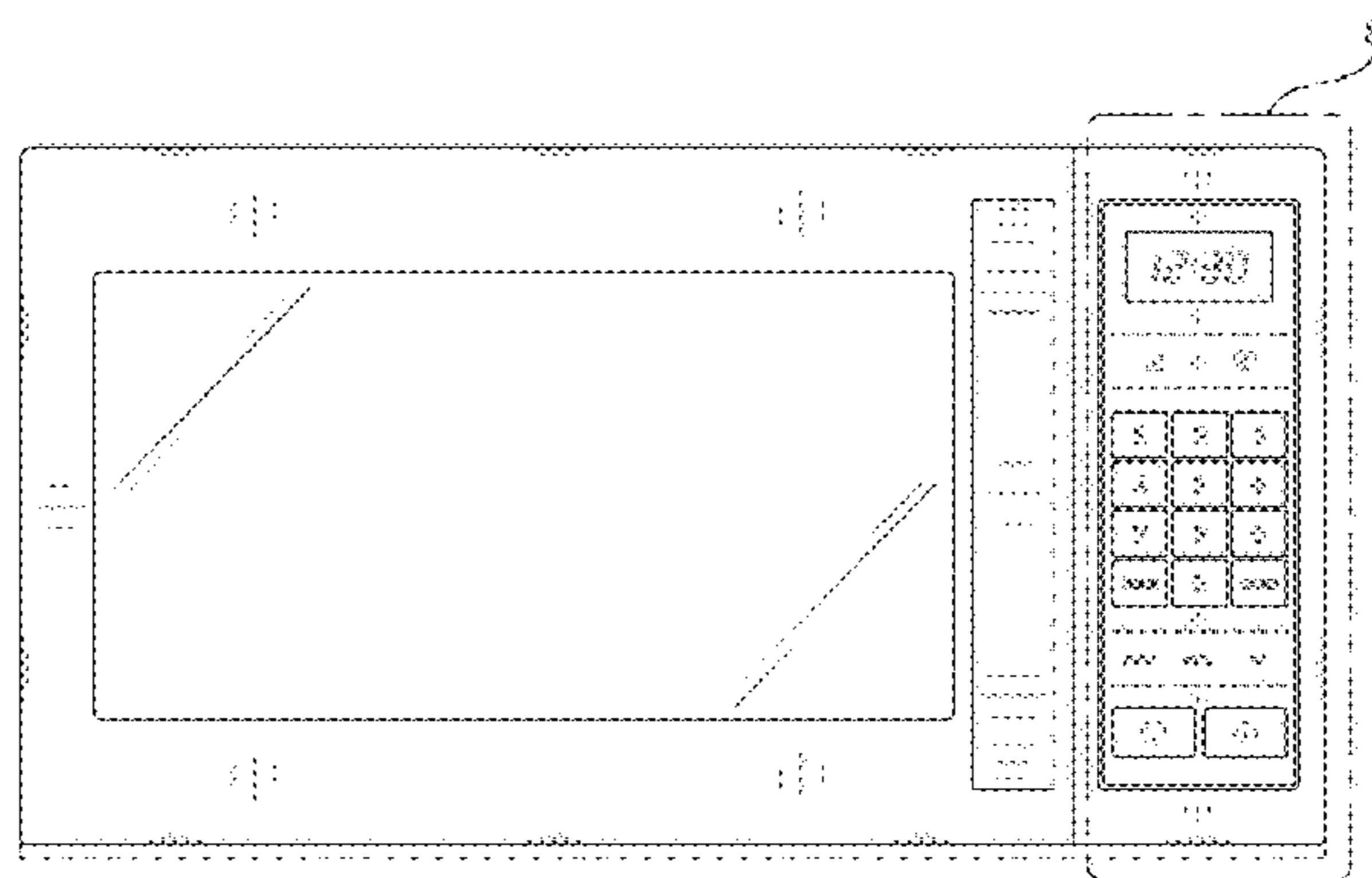
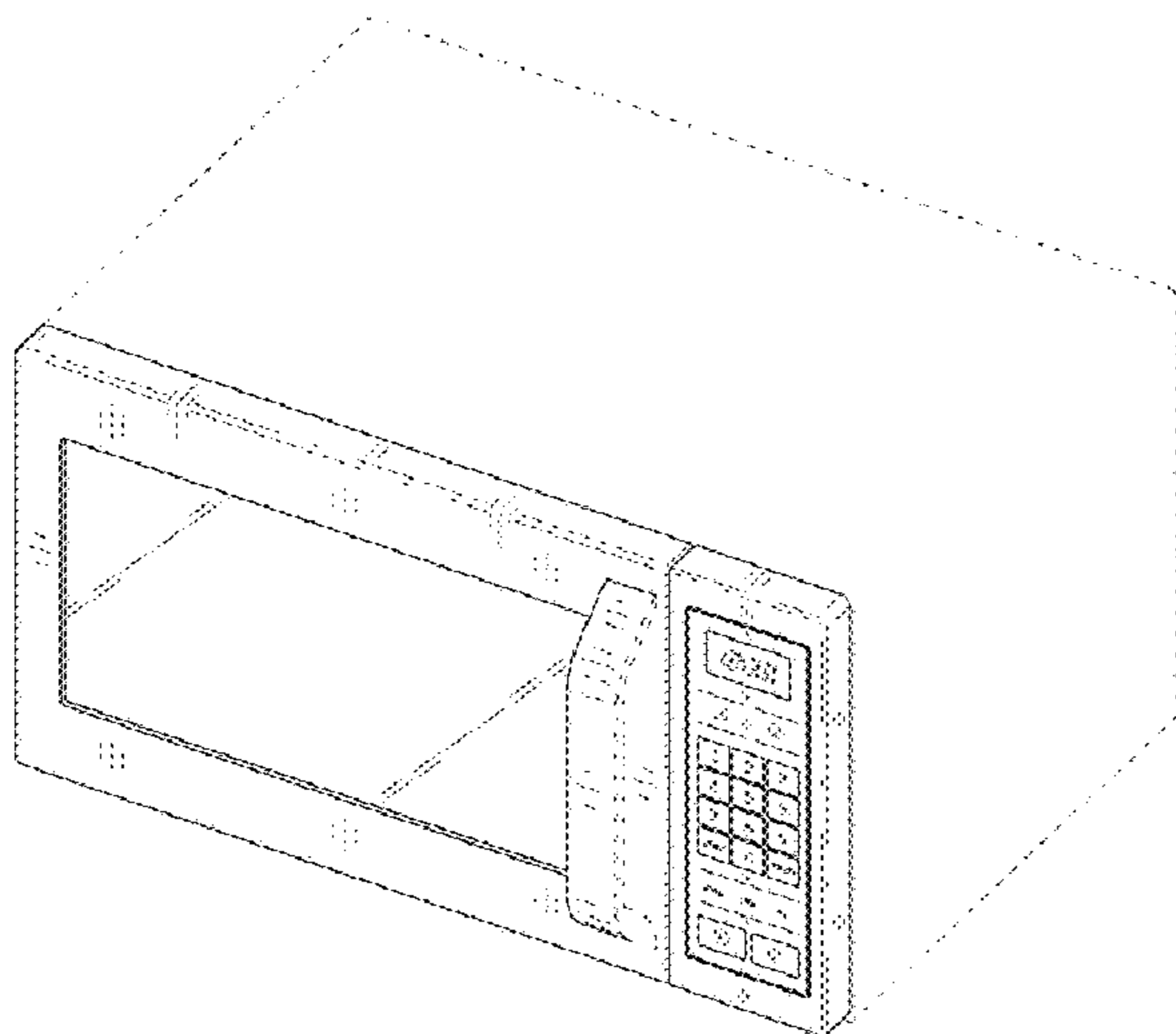


FIG. 1

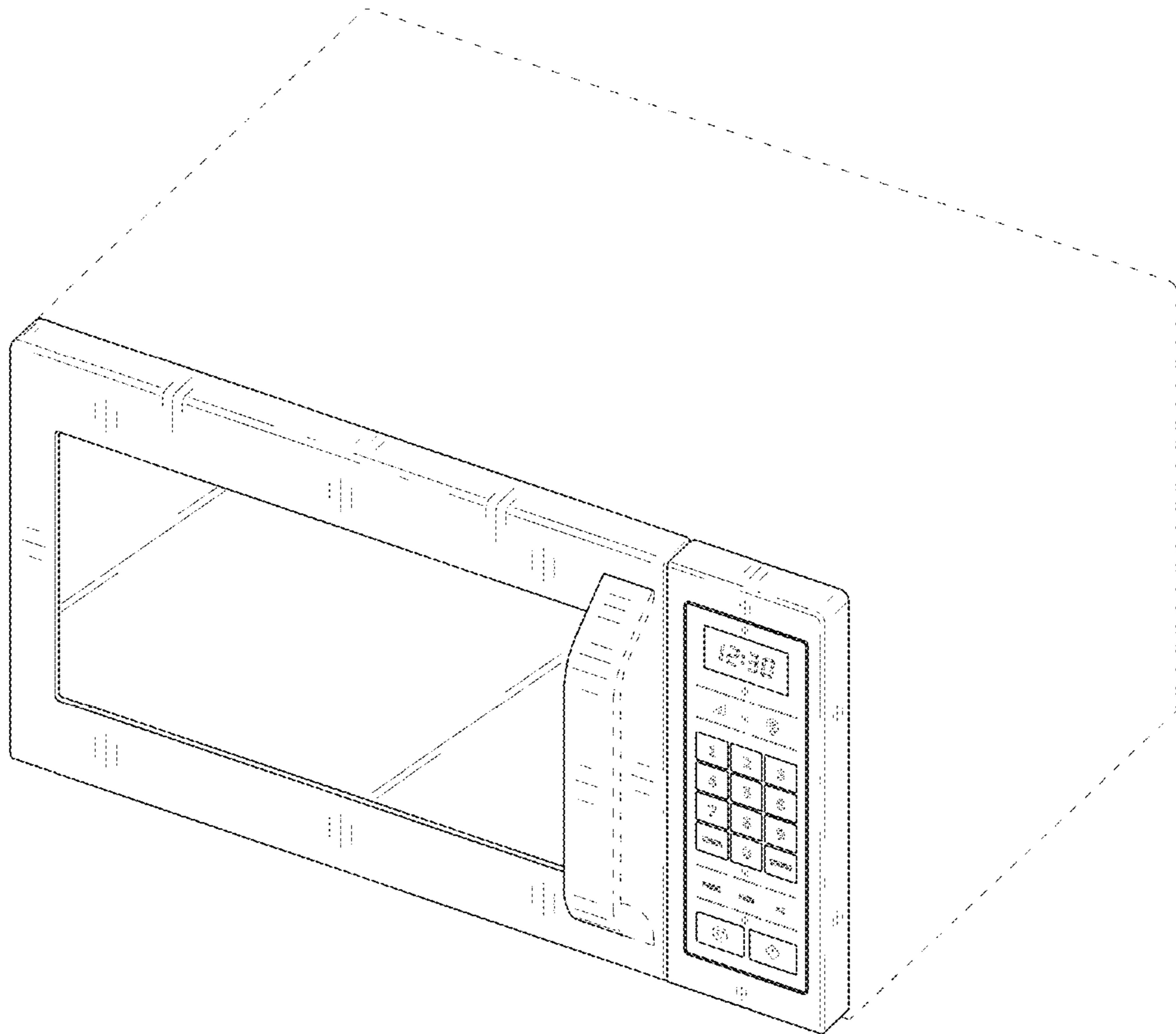


FIG. 2

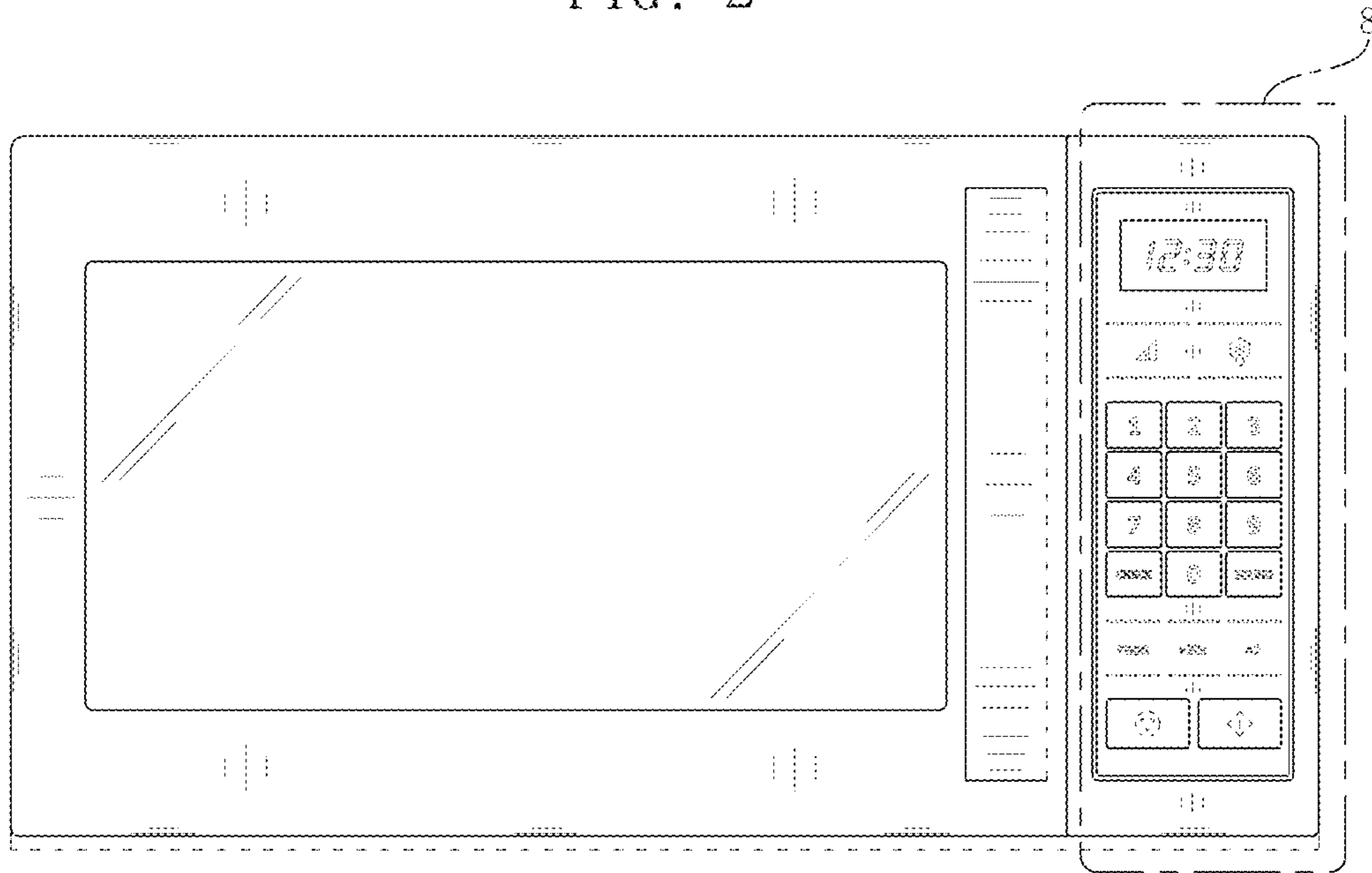


FIG. 3

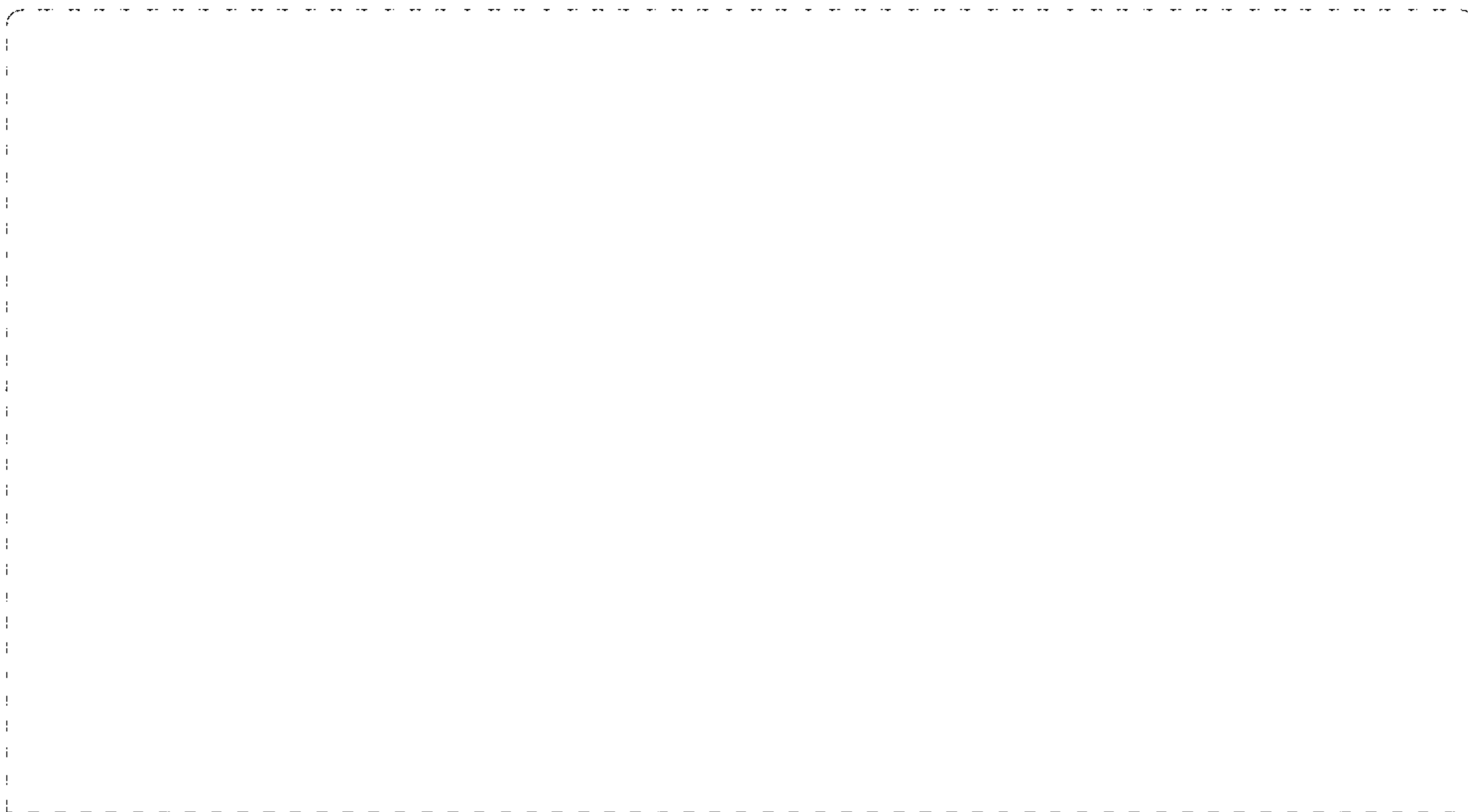


FIG. 4

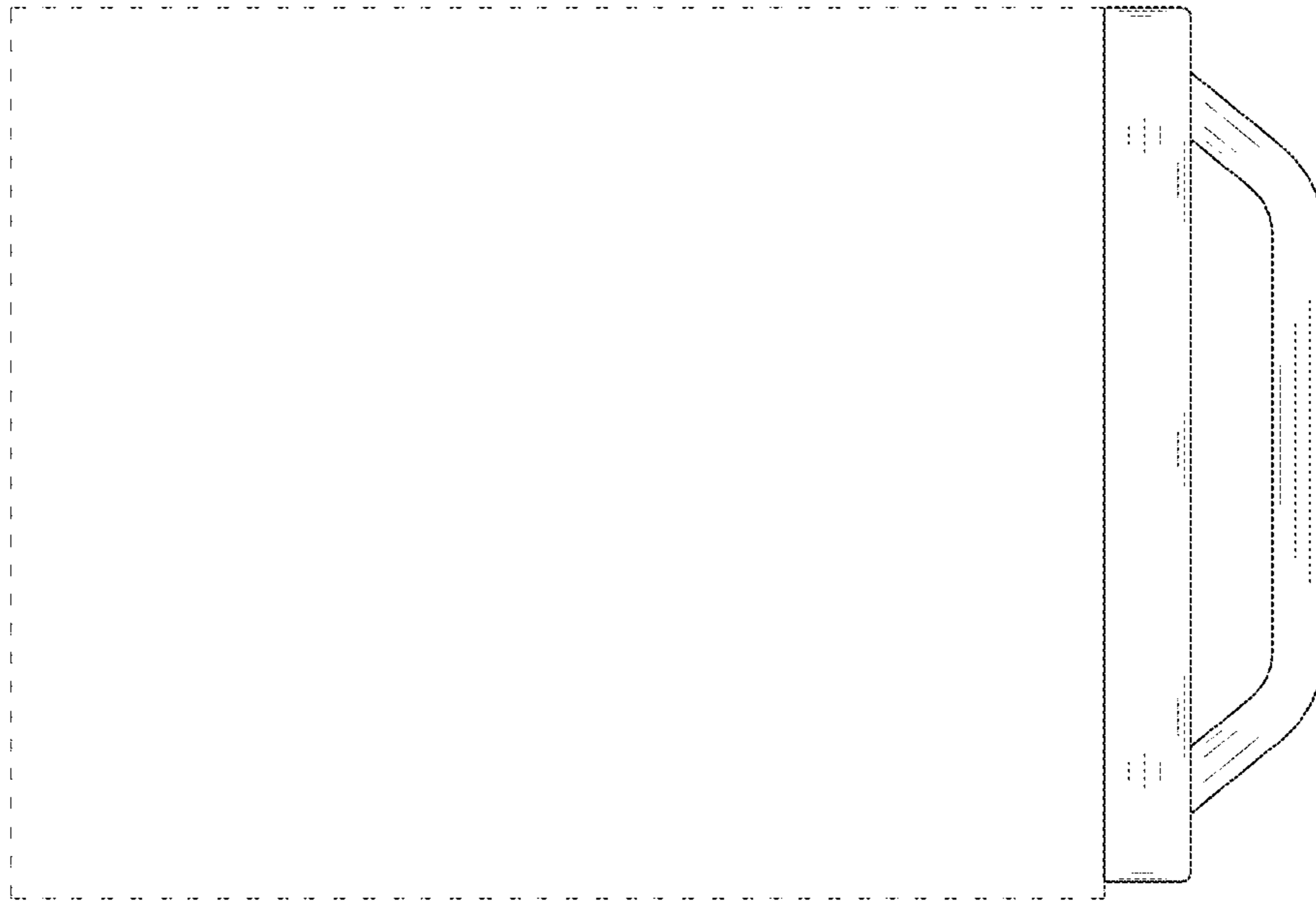


FIG. 5



FIG. 6



FIG. 7



FIG. 8

